

ACCUTRAK™ LINEAR POSITION MONITORS

FLAMEPROOF – ATEX/IEC

The AccuTrak 2800 combines the functionality of an flameproof junction housing and position switches to provide cost-effective monitoring of linear valves



FEATURES

- Flameproof design meeting a wide range of worldwide approvals.
- Factory pre-wired SPDT hermetically sealed proximity switches provide labor savings for position sensing of smaller valves.
- Aluminium enclosures with ultra-low copper content (0.2% maximum) ensure robust performance in corrosive environments.
- Rugged stainless steel enclosure option.
- Conduit entries and numbered terminal strip provided for convenient integration of a solenoid valve.
- Easy back-wiring of 316 Silver Bullet sensors to accommodate position sensing of large valves.
- Magnetic triggering bolts included with every unit.
- Optional adjustable triggering system available in Delrin® or stainless steel.
- IP rated plugs certified where applicable.

GENERAL APPLICATION

AccuTrak position monitors provide consistent and accurate monitoring of linear valves through the use of an flameproof junction housing and hermetically sealed proximity switches.

TECHNICAL DATA

Agency approvals

Area classification (ATEX/ IEC)	Ex II 2 GD Ex d IIC T* Gb ExtD A21 IP6X T*
Enclosure standards (IEC)	IP66/67/68

Switches

2800 Series	SPDT hermetically sealed proximity switches
-------------	---

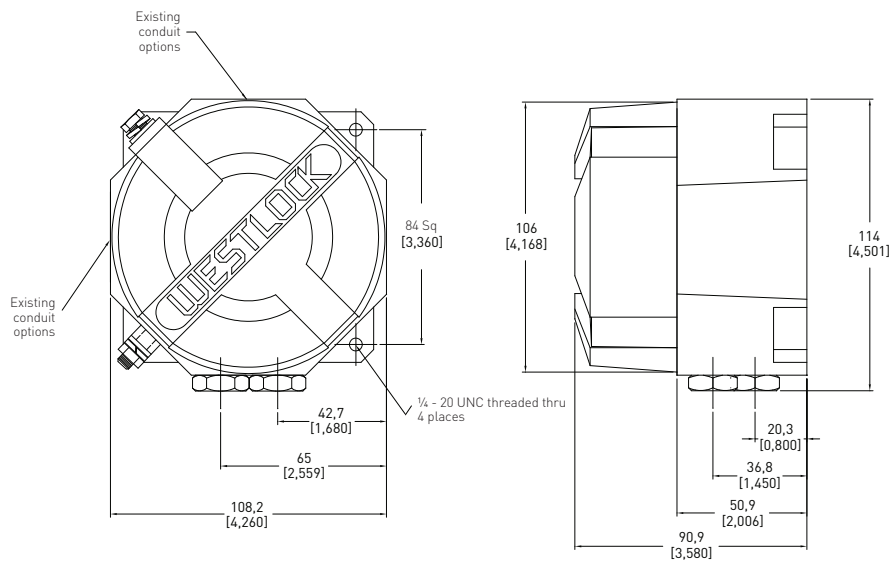
Enclosures

2800 Series	Aluminium Stainless steel
-------------	------------------------------

ACCUTRAK™ LINEAR POSITION MONITORS

FLAMEPROOF – ATEX/IEC

2800 SERIES DIMENSIONS



Dimensions in mm, imperial dimensions (inches) in parenthesis

TECHNICAL SPECIFICATIONS

Materials of construction

Enclosure	Aluminum with powder coat finish Stainless steel with electropolished finish
Temp. range	-30°C to +85°C
Operational life	600,000 cycles (full rated load)
Sensor actuation	Ferromagnetic (stainless steel encapsulated)
Sensor distance	2.54 mm end sensing
Operating time	3.0 ms
Repeatability	0.13 mm
Hysteresis	0.76 mm

Available switches

SPDT hermetically sealed proximity switches

NOTES

1. See selection guide for standard conduit entries
2. See switches & sensors data sheet for further information
3. Please consult your sales office for any other requirements

ACCUTRAK™ FLAMEPROOF LINEAR POSITION MONITOR

MODEL 2800 SELECTION GUIDE

Housing												
28	2800 linear screw lid											
Cover style												
6	No Beacon											
Switch type												
9	SPDT Hermetically sealed proximity switch											
Material												
A	Aluminium											
S	Stainless steel											
Beacon type and color												
00	No Beacon											
Drive shaft type												
0	No shaft (Linear unit)											
Additional options												
000	No ancillary options											
Switch quantity												
1	One switch (consult sales office)											
2	Two switches											
Conduit entries supplied												
2	Two entries – all enclosures											
3	Three entries – (consult sales office)											
4	Four entries - (consult sales office)											
Unit specification												
AAA	No special content – Std. material and build											
ADZ	¾" NPT conduit entries											
FAN	½" NPT conduit entries											
***	Non-standard material (consult sales office)											
Certification												
A	ATEX											
1	IECEX											
*	Other options (consult sales office)											
Revision												
R*	Internal revision #											
28	6	9	A	00	0	000	2	2	AAA	A	R1	= Model number 2869A00000022AAA-AR1

NOTES

1. Please contact your sales office for guidance on selecting the best possible combination for your control and monitoring requirements.
2. See Hazardous area classification technical bulletin for further information on global standards.



www.westlockcontrols.com

Westlock. We reserve the right to change designs and specifications without notice.