

SANITARY VALVE POSITION AND CONTROL MONITORS NON-INCENDIVE, EXPLOSIONPROOF - NEC

Westlock Pharma II and AccuTrak 9881 provide position and control monitoring for linear sanitary diaphragm valves. They are certified either non-incendive or explosionproof and the Pharma II offers network connectivity



FEATURES

Pharma II

- Compact 3.73" height (without solenoid).
- Low profile and tool-free access ideal for short bend radius installations.
- Non-contact, solid state Hall effect sensors provide premium reliability, even in high cycle applications.
- Zero current leakage means excellent performance in low current I/O systems.
- QuickSwap twist lock installation allows easy integration of puck style solenoid valve base.
- QuickSwap conventional and network electronic modules.
- Easy access to terminal strip for internal wiring.
- Modular design allows the quick change out of electronics/switch module or solenoid.
- Network connectivity via DeviceNet™ (76P2) and AS-Interface® (77P2) protocols.

AccuTrak 9881

- Mounting kits available for all sanitary actuators.
- Mechanical visual position indicator available as an option.
- Terminal strips are pre-wired and numbered with generous working space for ease of use and extra wiring points for solenoid integration.
- Aluminum enclosures with low copper content (0.2% max.) ensure robust performance in corrosive environments.
- Thumbscrew trigger adjustments allow quick and simple hand setting of position sensors.
- Eliminator integrated coupling option for attachment of an explosionproof solenoid valve.

GENERAL APPLICATION

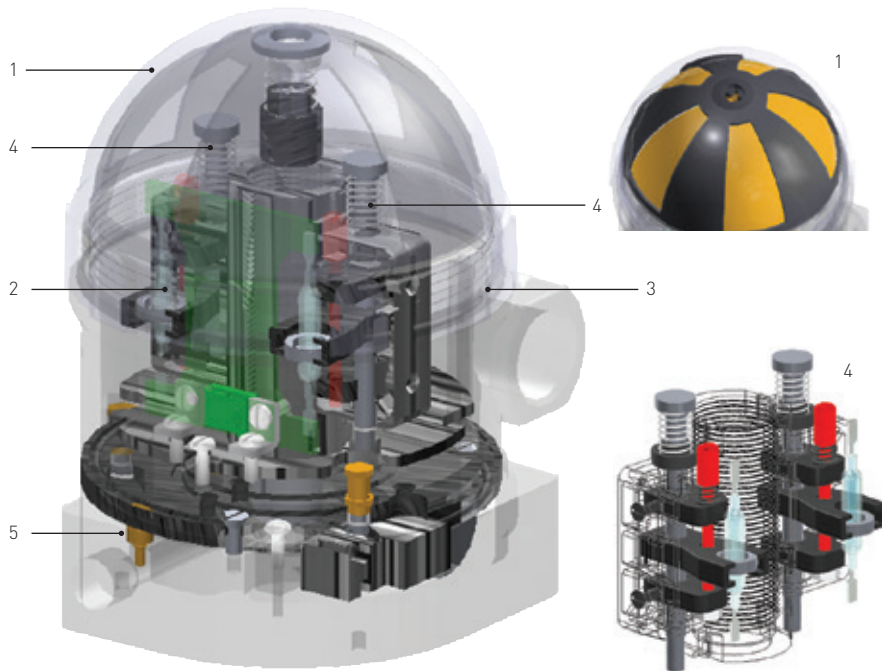
Designed especially for sanitary applications the Pharma II provides position and control monitoring for rotary and linear sanitary diaphragm valves. Compatible with all major valve manufacturers, it is available with network connectivity via DeviceNet or AS-I protocols.

TECHNICAL DATA

Agency approvals	
Area classification (NEC 500)	
Pharma II	Class I, II and III, Division 2, Groups A, B, C, D, F and G
AccuTrak 9881	Without Falcon solenoid valve only: Class I, Groups B, C and D Class II, Groups E, F and G
Enclosure standards (IEC)	
Pharma II	IP55
Enclosure standards (ANSI/NEMA 250)	
AccuTrak 9881	Type 4, 4X
Switches	
Pharma II 99P2	Hermetically sealed dry contact switch elements
Pharma II 76P2/77P2	Hall effect sensors
AccuTrak 9881	Magnum (hermetically sealed proximity type) switches
Enclosures	
Pharma II	Engineered resin
AccuTrak 9881	Aluminum

PHARMA II 99P2/76P2/77P2

NON-INCENDIVE POSITION AND CONTROL MONITORS



1. High definition visual indicator

The patent pending design of the HDVI allows 360° viewing from up to 100 feet away. The HDVI is also self-setting for all stroke lengths. It is incorporated as an integral part of the screw top, easy access enclosure.

2. 99P2: hermetically sealed bifurcated dry contact switch elements.

76P2/77P2: hall effect sensors offer enhanced reliability in extreme environments. As there are no moving parts in the sensor or magnet, they typically have a longer life than traditional switches.

3. Tool-free access with screw top cover.

4. Self-setting limit switches

Self-setting position limit switch assembly is engineered to reduce control room nuisance alarms and false trips created by changes in seat durometer.

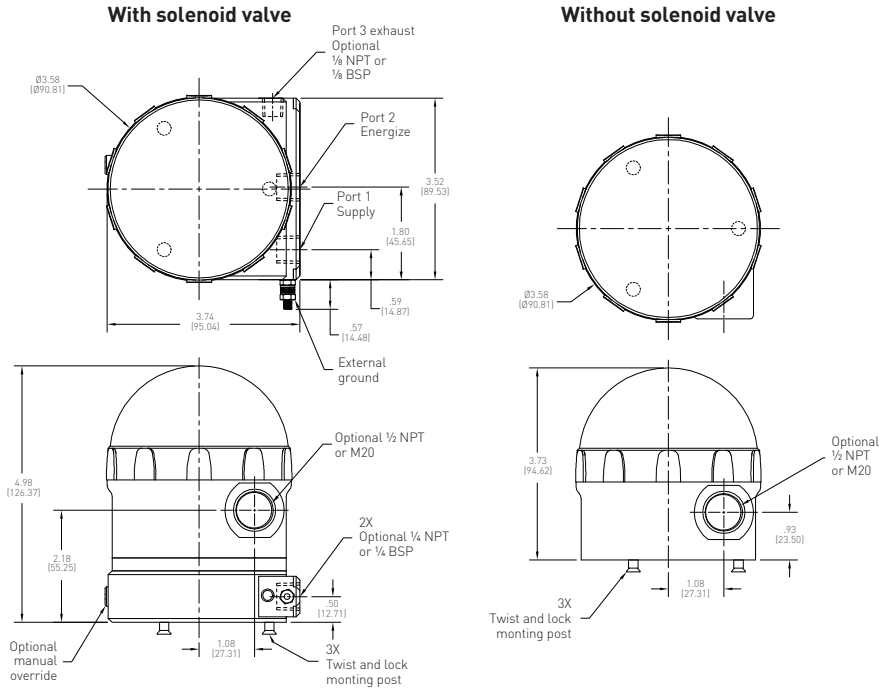
5. Solenoid spool design

Integrated puck style base mounted solenoid.

PHARMA II 99P2/76P2/77P2

NON-INCENDIVE POSITION AND CONTROL MONITORS

PHARMA II DIMENSIONS



Dimensions in inches, where available metric dimension (mm) in parentheses.

TECHNICAL SPECIFICATIONS

Materials of construction

Enclosure	Engineered resin
Beacon	Co-polyester
Solenoid valve	Stainless steel (with engineered resin block)

Available switches

99P2	Hermetically sealed bifurcated dry contact switch elements
76P2/77P2	Hall effect sensors

NOTES

Mounting kits

Mounting kits sold separately; please contact your local sales representative for mounting kit part numbers and pricing.

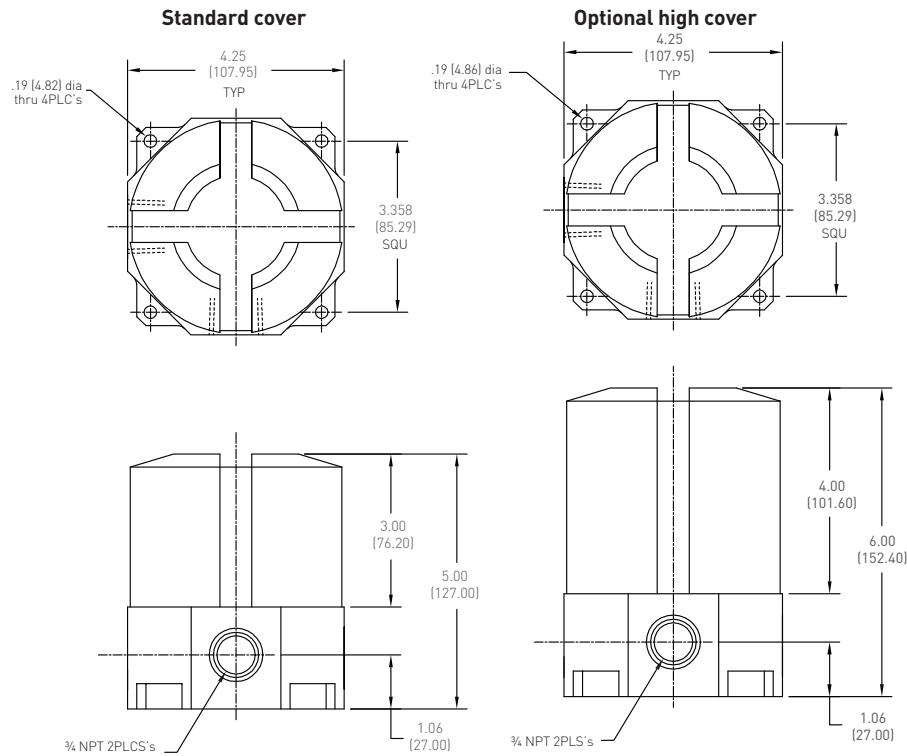
Switches and sensors

For further information see our switches and sensors data sheet.

ACCUTRAK™ 9881

EXPLOSIONPROOF LINEAR POSITION MONITOR

ACCUTRAK 9881 DIMENSIONS



Dimensions in inches, where available metric dimension (mm) in parentheses.

TECHNICAL SPECIFICATIONS

Materials of construction

Enclosure Aluminum with powder coat finish

Available switches

Magnum, SPDT hermetically sealed switches with tungsten contacts

ACCUTRAK™ 9881

EXPLOSIONPROOF LINEAR POSITION MONITOR

NOTES

Sanitary valve ordering code

[See selection guide]

Switches and sensors

For further information see our switches and sensors data sheet.

Mounting kits

Mounting kits sold separately; please contact your local sales representative for mounting kit part numbers and pricing.

Solenoid valves

The use of the 9881 with a Falcon solenoid valve is currently not approved for Explosionproof hazardous areas. If a Falcon solenoid valve is selected, the 9881 must be used as a general purpose device only.

Specifying your control monitor

Specifying a control monitor is a complex process as there are many variables which affect each individual application. To ensure that you receive the best possible combination for your control and monitoring requirement, please contact your local sales office for advice and guidance from one of our experts.

Hazardous area classification

Please see our data sheet for further information on the global standards affecting the specification and installation of equipment in hazardous areas.

SANITARY VALVE POSITION AND CONTROL MONITORS

SELECTION GUIDES

PHARMA II

Base model

99P2 Pharma II
 76P2 DeviceNet™
 77P2 AS-Interface® v3.0 (for version 2.0 contact your sales representative)

Conduit size

1A One ½" NPT (F) fitted with gland fitting
 1M One ½" NPT (F) fitted with mini-connector (not available with 99P2)
 1U One ½" NPT (F) fitted with micro-(Euro) connector (not available with 99P2)
 1C One M20
 2G One ½" NPT (F) and one ½" NPT (M) eliminator fitting

Solenoid coil voltage

0 None
 D 24 V DC
 A 120 V AC (99P2 only)

Spool valve

000 None
 550 0.1 Cv, 3-way, stainless steel

Override option

0 None
 L Locking

76P2 1M D 550 L = Model number **76P21M05500L**

SANITARY VALVE POSITION AND CONTROL MONITORS

SELECTION GUIDES

ACCUTRAK 9881

Base model											
9881	Aluminum enclosure										
Shaft output											
0	None										
Beacon											
00	No indicator										
MI	Mechanical indicator (not available on all applications)										
Conduit											
1B	One 3/4" NPT (F), (standard when ordered with Falcon solenoid valve below)										
2B	Two 3/4" NPT (F), (standard)										
2E	One 3/4" NPT (F) and one 1/2" NPT (M) eliminator fitting*										
Sanitary valve ordering code											
XXXX											
Model Code											
ITT	Valve size	ASEPCO	Valve size	SAUNDERS	Valve size						
I001	1/4" (Biotek)	A001	1/2"	S001	1/4"						
I002	1/2"	A002	1"	S002	1/2"						
I003	3/4"	A003	2"	S003	3/4"						
I004	1"	A004	3"	S004	1"						
I005	1 1/2"			S005	1 1/2"						
I006	1 1/2" Style 33	GEMU	Valve size	S006	2"						
I007	2"	G001	1/2" to 1/2" Style 605								
I008	2" Style 33		3/8" to 3/4" Style 625								
I009	3" and 4" Style 47	G002	1/2" to 1" Style 687								
I010	3" and 4" Style 33	G003	1 1/2" Style 687								
		G004	2" Style 687								
Analog position transmitter											
00	None										
Coil voltage											
0	None**										
Falcon valve body											
00	None**										
Special valve features											
0	None**										
Override options											
0	None**										
9881	0	MI	2B		A002	00	0	00	0	0	= Model number 98810MI2BA0020000000

* Eliminator fitting is 1/2" NPT (M) for the purpose of mounting an aftermarket solenoid valve.

** For solenoid options, please consult your sales representative.



www.westlockcontrols.com

Westlock. We reserve the right to change designs and specifications without notice.