

BEACON™

GENERAL PURPOSE VISUAL POSITION & FLOW PATH INDICATOR

Highly visual position and flow path monitoring for actuated valves, gear operators, dampers and three-way control assemblies. The Beacon provides single 360° visual position monitoring



FEATURES

- Manufactured from high impact strength, corrosion and UV resistant clear co-polyester.
- Helps increase safety for plant personnel.
- Offers instant visual recognition of valve position from all vantage points.
- 360° color coding for maximum visual impact.
- Totally enclosed instrument devoid of any external moving parts.
- Provides a true measure of valve performance.
- Monitors valve position while visually displaying flow path.
- Eliminates guesswork and reduces costs at system start-up.
- Offers positive mechanical monitoring of multiport control valves.
- Unaffected by a broad range of chemical reagents.

TECHNICAL DATA

Agency approvals

| | |
|--|----------------------------------|
| Tensile strength at break | 7,600 psi |
| Izod impact strength, notched at 23°C (73°F) | >16 ft-lb/in |
| UV resistance | Yes |
| Clarity | Yes |
| Heat deflection temperature HDT at 264 psi | 67°C (151°F) |
| UL flammability rating | 94HB |
| Operating temperature | -40°F to 180°F -40°C to +82°C |

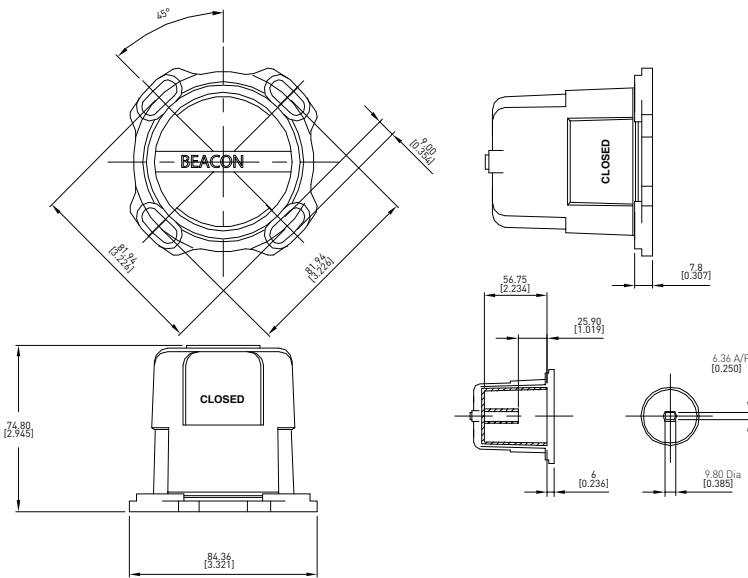
GENERAL APPLICATION

High visibility valve position and flow path indicator suitable for mounting to actuators, valve gear operators, dampers and three-way control assemblies.

BEACON™

GENERAL PURPOSE VISUAL POSITION & FLOW PATH INDICATOR

DIMENSIONS



Dimensions in mm, imperial dimensions (inches) in parenthesis

SELECTION GUIDE

Quarter turn

- BM2-Y (N/C) Black open/yellow closed *
- BM2-RG (N/C) Green open/red closed *
- BM2-Y-FE (N/C) Black open/yellow closed, French and English text *
- BM2-B ANSI Blue and white
- BM2-R (N/C) ANSI red and white *

90 degree 3-way

- BM3-1 See standard flowpaths
- BM3-3 See standard flowpaths
- BM3-5 See standard flowpaths

180 degree 3-way

- BM3-7 See standard flowpaths
- BM3-9 See standard flowpaths

A wide variety of special Beacons is available. Please consult your sales representative.

Ordering note: for direct mount to actuators, specify IN30116 for NAMUR actuators or IN30115 for non NAMUR actuators and appropriate mounting kit for Beacon part numbers marked with * in the ordering guide. Specify IN30013 non NAMUR or IN30017 NAMUR for all other Beacon models.

STANDARD BEACONS



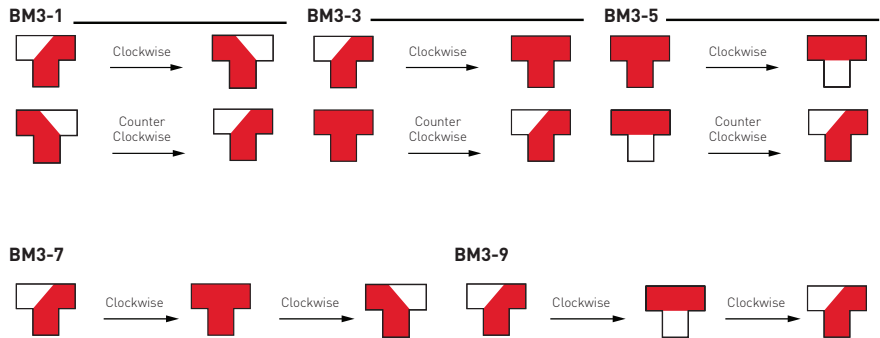
Standard
(Black & yellow)



ANSI blue
(Gas-low hazard)



ANSI red
(Fire quenching)



www.westlockcontrols.com

Westlock. We reserve the right to change designs and specifications without notice.