

CPM

Quiet by design, complete and compact



People.
Passion.
Performance.

 Chicago
Pneumatic

Quiet by design, complete and compact

Engineered for high performance, efficiency and reliability, the CPM air compressor series can meet the compressed air demands of a tire shop, maintenance shop, vehicle body shop, paint shop or automotive dealership. Quiet by design, the CPM can be installed almost anywhere, without disturbing your working environment. Base mounted or receiver mounted, with or without dryer, the CPM is the leading rotary screw compressor for service or light industrial applications.

Screw element

Main Benefits:

- Excellent performance
- Assured reliability
- Longer life
- Continuous duty operation
- Lower oil residual in compressed air
- Pulsation free air



Design for tropical condition:

- Pre tensioned flexible drive
- Pressurized canopy
- Natural ventilation passage
- Effective cooling

Why tropical design is essential ?

	European Condition	Tropical Condition
Temp	Max 20° C Min Sub Zero	Max 50° C Min Varying
Enviro'	Dust Free, Pressurized & Ventilated	Dusty industrial
Mindset	Use & Throw	Use & Continue using

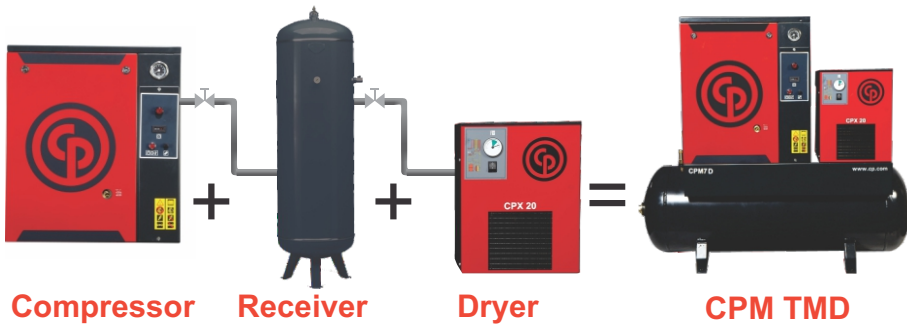
Why choose CPM screw compressors ?

Piston compressors		CPM screw compressors
70 - 75% of the intake air	Air yield	95% of the intake air More air for less power
Greater than 80 dB(A)	Sound level	From 61 to 65 dB(A) Almost as low as most household appliance
For intermittent use	Operation	For continuous use An industrial technology
High content of residual oil and humidity	Air quality	Low oil content and dry air in the version with dryer Cleaner air for better production
Alternating and pulsating	Compression	Continuous and consistent Uniform pressure in line for better functioning utility
High	Vibrations	Absent More reliable components
Thermal circuit breaker	Standard protections	Magnetic and thermal circuit breaker Greater operator safety

Features

Compact dimensions	Ideal for tire shops, maintenance shops, vehicle body or paint shops and automotive dealers, the CPM can offer you a complete unit (with dryer and 200L receiver) on just 1m ² . You can fit it easily to any free space without trouble.
Quiet operation	Generously sized sound insulation. This results The CPM links the rotary screw technology to a major disturbances to your working environment in noise levels so low that the compressor can be placed in most of the workplaces without
More output and less energy consumption	When compared to piston compressors, the exceptional efficiency of the CPM and the high output of the package ensure reduced power consumption, maximized output (capacity) and low cost per CFM produced.

A complete compressed air package - CPM TMD



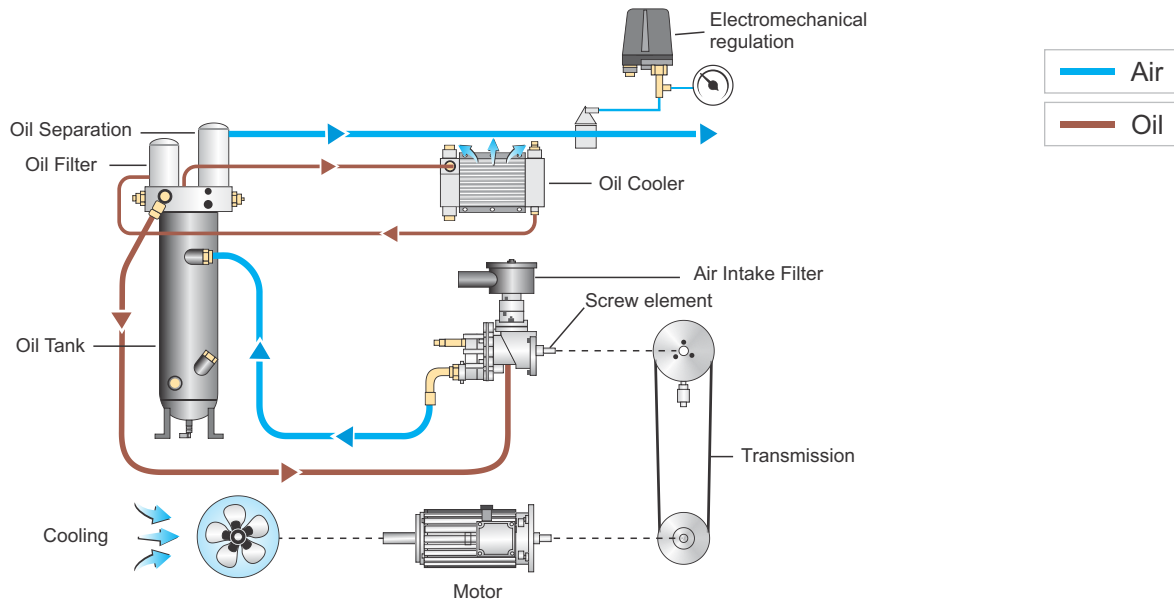
A complete system in less than 1m²

- Compressor
- Refrigerated Dryer
- Integrated Tank
- No interconnection piping required
- Pre- Wired
- Low pressure drop
- No installation cost
- Less chance for leakages
- Machine with first fill oil

Key user benefits

Easy operation	Efficient cooling	Built to last	Fast & cost effective maintenance
Compressed air plain and simple. Just connect the cables, pipes and press start.	Lower internal temperatures make your compressor more reliable and extend lifetime.	Designed for continuous duty and very hard working conditions.	No wearing parts: increases reliability and reduces maintenance costs.

Flow diagram



Technical data



Model	HP	Pressure (BAR G)	CFM	dB(A)	End Connection	Weight (KG)	
						TM	TMD
CPM 3	3	10	8	61	½"	175	209
CPM 4	4		11				
CPM 5	5		16	62			
CPM 7	7.5		21			182	216

- Note :
1. Unit performance measured as per ISO 1217: 2009Ed4.
 2. Noise level measured according to ISO2151 / Pneurop / CAGI PN8NTC2.
 3. All models available with 200 L receiver tank.
 4. All models available with optional Refrigerated dryers (suffix D).
 5. Maximum working pressure for machines with dryer is 9.75 bar.



Since 1901 the Chicago Pneumatic name has represented reliability and attention to customer needs, with tools and compressors designed for specific industrial applications. Today, Chicago Pneumatic has a global reach, with local distributors around the world. Our people start every single day with a passion to research, develop, manufacture and deliver new products that are meant to meet your needs not only today, but tomorrow as well. To learn more, visit www.cp.com.

Chicago Pneumatic: full offer, global presence



TMD



CPVS



WIS AIR



Spiral Air



PPNGs



TAS

Chicago Pneumatic Compressors
Sveanagar, Mumbai Pune Highway, Dapodi,
Pune - 411012 Maharashtra, India.
Phone: + (91) 93 7191 9200 / 93 2417 4988



Design
Manufacture, Sales and
Service of air compressors,
Air dryers and air filters



ISO 9001 . ISO 14001
OHSAS 18001
Forms an integral part of each
business process of Chicago
Pneumatic Compressors

Dealer Network

100+
Distributors
present across India



Chicago Pneumatic compressors have strong Distribution network operating from almost every state ensures effective reach to the products and services to the end users across the country. Of which, around 75% of dealers have been associated with us for more than 15 years.

To findout your nearest Distributor please check www.cp.com

Regional Customer Centers

West	Rushabh, II Floor, Near American Heart Institute, Ghodbunder Road, Thane (W) - 400601
	93241 74565 / 93256 36552
	sales.west@cp.com / service.west@cp.com
North	Unitech Business Park, Tower - A, First Floor, Block - F, Sector - 41, South City-I, Gurgaon - 122001
	93124 06866 / 93124 17744
	sales.north@cp.com , service.north@cp.com
East	Trinity Plaza, 2nd Floor, East Wing, 84/1A, Topsia Road, (South) Kolkata - 700 046
	93322 90559 / 93322 91224
	sales.east@cp.com , service.east@cp.com
Central	4th Floor, Block A, Amsri Shamira Building, Old Lancer Lines, Secunderabad - 500 025
	88861 78825 / 93924 06641
	sales.central@cp.com , service.central@cp.com
South	No. 1-A, Kushal Garden, Peenya Industrial Area, Peenya 2nd Phase, Bangalore - 560 058
	93677 87070 / 93421 44450
	sales.south@cp.com , service.south@cp.com

- **Area offices:** Ahmedabad, Baroda, Chandigarh, Chennai, Pune
- **Resident offices:** Coimbatore, Erode, Kochi, Jaipur, Raipur, Vizag

Toll Free No.: 1800 200 0040

© 2010, Chicago Pneumatic. All rights reserved. All mentioned, product names, company names, trademarks and service marks are the properties of their respective owners. Our products are constantly being developed and improved. We thus reserve the right to modify product specifications without prior notice.