



SUREFOOT ACCESS

To obtain pricing for the Surefoot Access Bridge Crossover, Walkway, Service Platform, or the Ramp Systems, fill out our Custom Quote Template and submit to your local Sales Representative. The templates, as well as a Sales Rep Locator are available on our website.



See page 24 for details

Information needed for pricing quote:

- Desired span clearance
- Desired clearance height off roof
- Specify if railing is needed

Products are designed to meet OSHA 1910 Subpart D for walking/working surfaces. Base size determined for job specific requirements.

Products are available in full stainless steel configurations upon request.

Custom Bridge Crossover



Custom Service Platform



Custom Ramp



SUREFOOT ACCESS

Built to offer safe and cost-effective access to facilities and equipment, Surefoot Access products are custom-designed to meet your site and OSHA standards. They are shipped partially assembled and ready for easy on-site assembly.

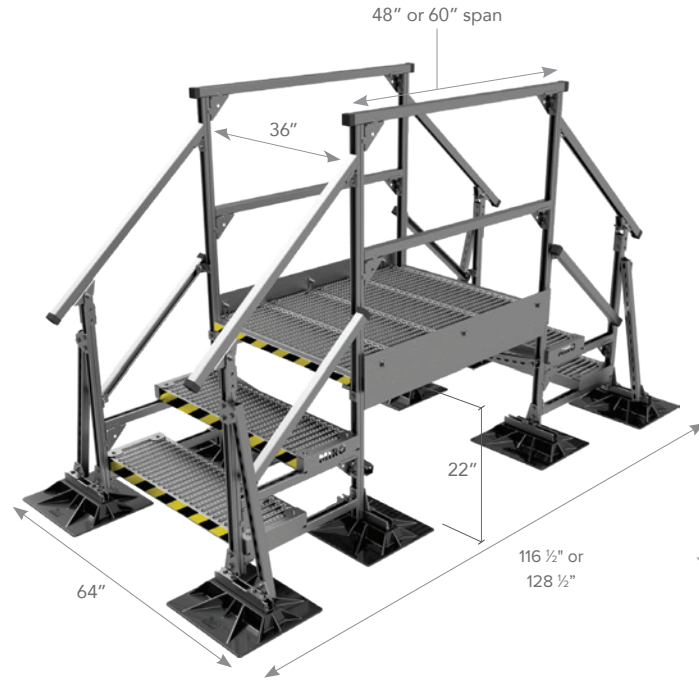
- Surefoot Bridge Crossovers span across pipes, ducts, expansion joints, elevation changes and other potential obstructions with engineered stair access.
- Surefoot Ramps provide solutions for wheeled access to areas previously blocked by rooftop pipes, structural gaps, or minor elevation changes, allowing heavy items to be rolled in or out for placement or service.
- Surefoot Service Platforms offer secure, elevated access to equipment in almost any setting, and are specifically designed for rooftop applications.

Molded polycarbonate bases effectively distribute loading to prevent point loading, damage to the roof surface or other critical rooftop equipment. Slip-resistant bar grating or interlock planking are used on all walking surfaces, to ensure solid footing and minimize snow and ice accumulation. In high wind or seismic zones, MIRO can engineer structural anchor points to maintain code and safety compliance. To resist corrosion, all Surefoot Access products are made of 100% galvanized materials.

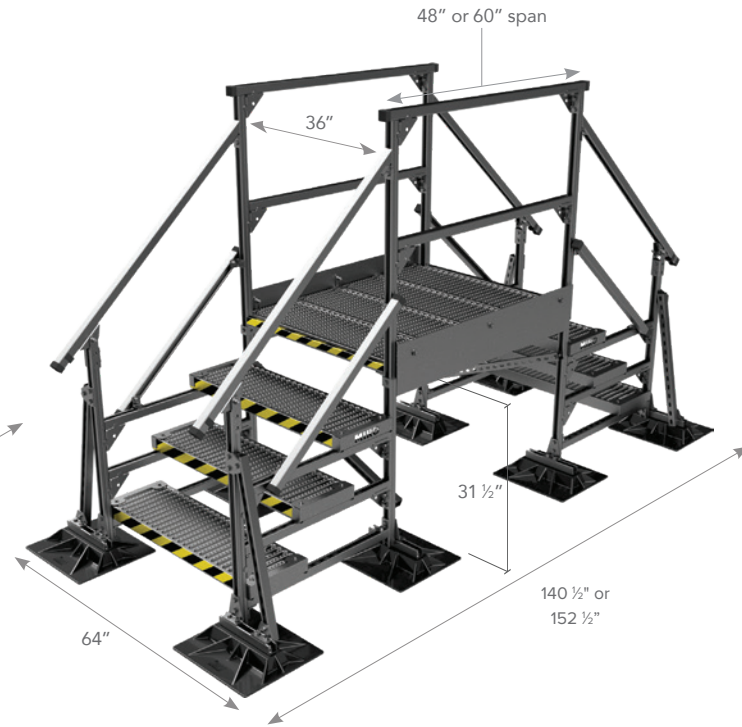
STANDARD CROSSOVERS

For a majority of rooftop access circumstances, MIRO has a selection of crossovers that have preset dimensions that are easy to order and assemble on-site. Just find which one has the clearance you need, then choose a span of either 48" or 60". Larger sizes and additional customization are available by simply getting in contact with your local MIRO Sales Representative (see page 39).

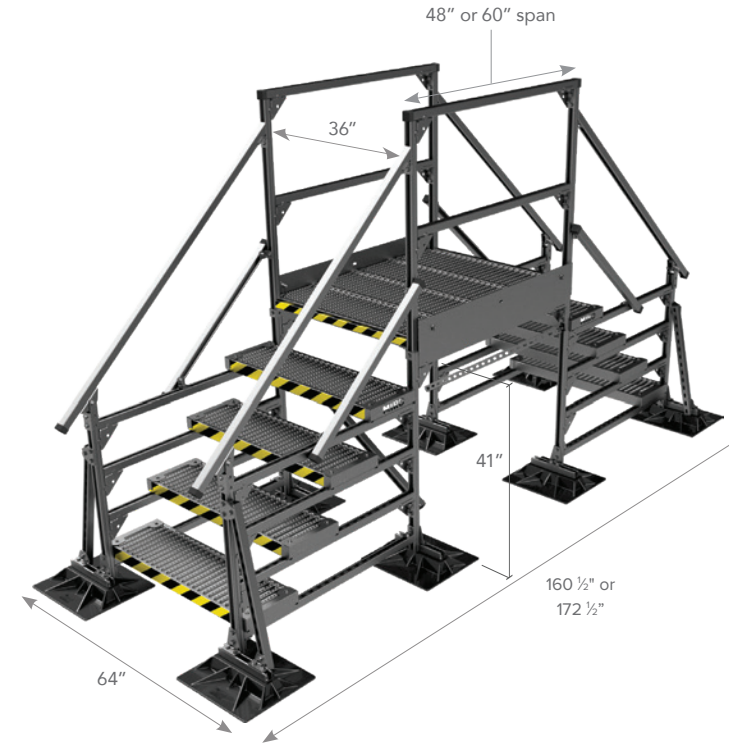
2-CO-48 / 2-CO-60



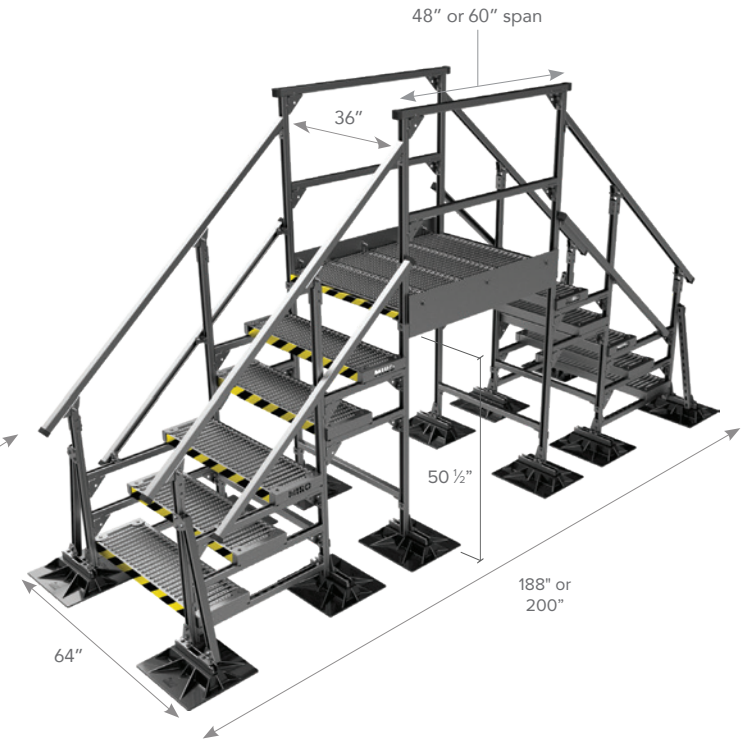
3-CO-48 / 3-CO-60



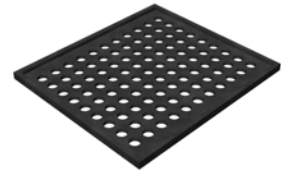
4-CO-48 / 4-CO-60



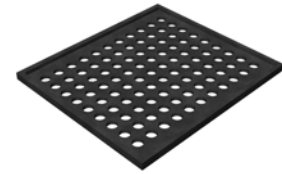
5-CO-48 / 5-CO-60



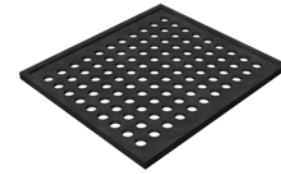
CROSSOVER KIT ACCESSORIES | SEE PAGE 34 FOR MORE INFO.



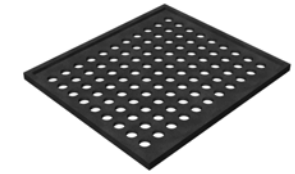
PAD1618



PAD1618



PAD1618



PAD1618

MODEL	NUMBER OF RISERS	CLEARANCE HEIGHT	PLATFORM LENGTHS	RISER HEIGHT	INSIDE WIDTH	OVERALL LENGTH	OVERALL WIDTH
2-CO-48	2 per side	22"	48" or 60"	9 1/2"	36"	116 1/2" or 128 1/2"	64"
3-CO-48	3 per side	31 1/2"	48" or 60"	9 1/2"	36"	140 1/2" or 152 1/2"	64"

CROSSOVER KIT ACCESSORIES | SEE PAGE 34 FOR MORE INFO.

MODEL	NUMBER OF RISERS	CLEARANCE HEIGHT	PLATFORM LENGTHS	RISER HEIGHT	INSIDE WIDTH	OVERALL LENGTH	OVERALL WIDTH
4-CO-48	4 per side	41"	48" or 60"	9 1/2"	36"	160 1/2" or 172 1/2"	64"
5-CO-48	5 per side	50 1/2"	48" or 60"	9 1/2"	36"	187 1/2" or 200"	64"