



THE
DAVINCI™
ALL-ELECTRIC
SCISSOR

JLG®



“SIMPLICITY IS THE
ULTIMATE
SOPHISTICATION.”

- LEONARDO DA VINCI

Leonardo Da Vinci, the grandmaster of innovation, reasoned that by fully understanding the design and function inherent in every component of a machine, one could modify and combine it in different ways to advance technology like never before.

The DaVinci™ All-Electric Scissor is more than a tribute to this ideal. It's irrefutable proof of Da Vinci's brilliance.

OPTIMIZED FROM THE WHEELS UP

Every unnecessary part has been removed and replaced with electric components to create a scissor that requires virtually zero maintenance, delivering unprecedented performance, efficiency and lower cost of ownership. The DaVinci lift leverages highly sophisticated technology yet packages it in an elegant design to bring industry defining productivity and serviceability to both rental companies and end users.

Welcome to the new era of sophisticated technology made simple.



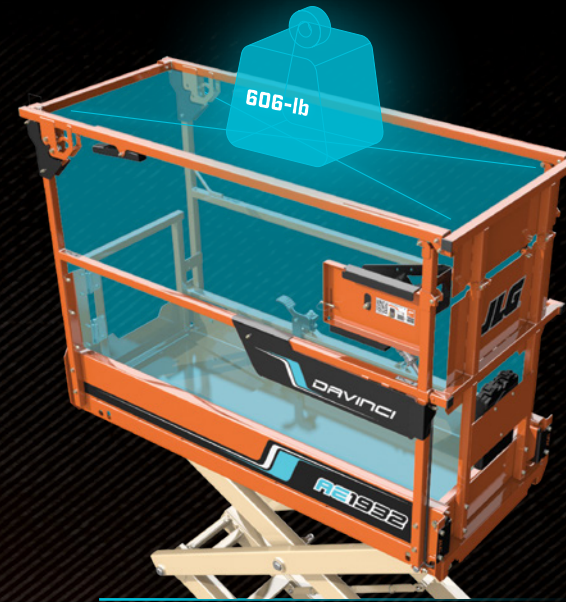
High-efficiency steering system

Quick charging

Leak free

Electric lift system

Maintenance-free AC drive motors



**BEST-IN-CLASS
PLATFORM
CAPACITY**

**EXCLUSIVE DAVINCIGO APP
WIRELESS
DIAGNOSTICS &
REMOTE ASSISTANCE**



**SINGLE
LITHIUM-ION
BATTERY**



INDUSTRY LEADING POWER SOURCE

PRODUCTIVITY FOR LIFE

The DaVinci scissor lift is powered by a single, 24V lithium-ion battery expected to last 10 years. And when the battery doesn't require replacement, headaches and maintenance costs shrink. It's simply a smarter way to put energy where it matters.

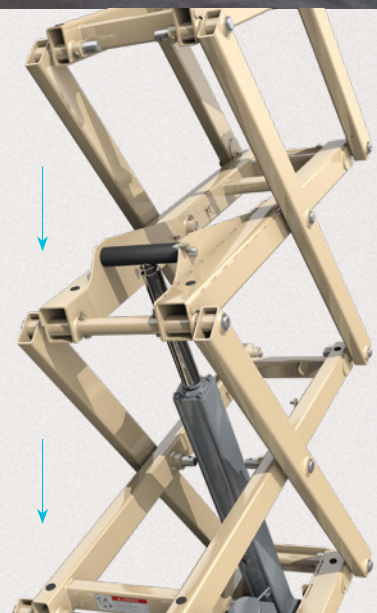
24V
LITHIUM-ION BATTERY

10 YEAR
EXPECTED BATTERY LIFE

ZERO PERFORMANCE DEGRADATION



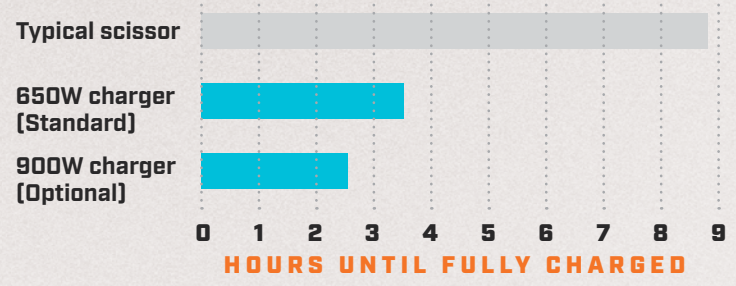
Maintains top-of-the-line productivity even as the battery is being depleted.



ENERGY RECOVERY

Energy is recovered while platform is descending, maximizing uptime on a single charge.

TAKE CHARGE FASTER



Quick charge: 5 min. of charge provides 100-ft of driving and enough torque for loading.

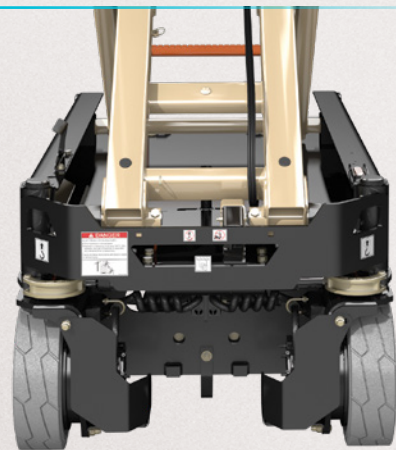
Opportunity charging: the machine accepts periodic charges throughout the day without damaging the battery. Quick, 30-min charges lead to hours of productivity.

Warranty: The DaVinci All Electric Scissor Lift comes standard with a 5 year battery warranty.

ZERO HYDRAULIC LEAKS

STAY FLUID WITHOUT ANY

The DaVinci lift is proof that the value of zero adds up quickly. When customers asked to reduce the chance of hydraulic leaks, JLG took it a step further. The industry's first true all-electric scissor features zero hydraulics, therefore eliminating hydraulic leaks entirely, reducing customer maintenance and cleanup costs and lowering total cost of ownership. That's uptime you can count on.



**ZERO LEAKS. ZERO DIAPERS.
ZERO HASSLE.**

Work worry-free on leak-sensitive work sites such as museums, data centers and hospitals.

Electromechanical actuators replace the more traditional hydraulic lift system.

EXCLUSIVE DAVINCIGO APP

TROUBLE SHOOTING MINUS THE TROUBLE

The DaVinci lift is transforming the access industry. So, naturally, the tech behind it should be equally revolutionary. The DaVinciGO app, only from JLG, eliminates the need for a separate analyzer or any specialized tools by allowing users to tap into intuitive, smart phone-enabled diagnostics. Whether you're operating the machine or servicing it, you can now view, diagnose and troubleshoot the DaVinci lift from any iOS or Android smart device and any location.

DAVINCI SCISSOR HIGHLIGHT: An onboard USB charger and smart device dock comes standard allowing users to keep their devices fully charged and within arm's reach so when it's time to look at machine diagnostics, users can do so without delay.

View real-time information such as platform load, current battery temperatures, DTCs and more.

Adjust machine personality settings as necessary.

Remotely engage with the JLG service center for support such as installing over-the-air software updates and for remote troubleshooting assistance.

Monitor battery performance and state of charge as you go.



ONE SYSTEM TO RULE THEM ALL



Uses a distributed power architecture.



Reduces voltage drops and latency.



Next-generation control system monitors each subsystem independently for optimal performance

SMARTER MOBILITY

MOVE AT THE SPEED OF TECH

While using the exclusive JLG® Mobile Control app, users can move the stowed DaVinci lift from a safe distance using their smart device. Mobile control maximizes visibility and eases loading and moving through tight spaces. Additionally, the machine's fully electric AC drive system can deliver a stowed drive speed of up to 4 mph. That's productivity in the palm of your hands.

DRIVE STEER LOAD FROM A SAFE DISTANCE



Operates via Bluetooth® enabled technology.



JLG® Mobile Control comes standard.

DRIVE PRODUCTIVITY HIGHER LITERALLY



Advanced AC drive system is fully electric and maintenance free.



Progressive elevated drive speed allows the machine to drive when elevated for improved productivity.



4 mph is double the stowed drive speed of a standard scissor lift.

DAVINCI SCISSOR HIGHLIGHT: The maintenance-free AC drive system allows for independent drive control of the wheels and sensors to reduce tire wear, enhance maneuverability and minimize damage to sensitive floors.



REAL WORLD NEEDS ZERO COMPROMISE

JLG engineered the DaVinci All-Electric Scissor Lift knowing it would be state-of-the-art and take the industry to a new level in scissor lift performance. The DaVinci scissor lift's fully electric actuator lifts more weight than a standard hydraulic cylinder, allowing the platform to carry up to a class-leading, 606-lb capacity indoors and out at the full 19-ft platform height. That's 20% more work than traditional 19-ft scissor lifts – with 0% hydraulic fluid.



STANDARD SPECIFICATIONS

Performance

Platform Height – Elevated	19-ft / 5.8-m
Platform Capacity	606-lb / 275-kg
Capacity on Platform Extension	265-lb / 120-kg
Number of Occupants	Indoor: 2 / Outdoor: 1
Lift / Lower Time	24/26 seconds
Maximum Drive Height (Indoor)	Fully Elevated
Weight*	3,450-lb / 1,565-kg
Ground Bearing Pressure	150 psi
Drive Speed - Elevated	0.5 mph / .8 km/h
Drive Speed - Lowered	4 mph / 6.4 km/h
Gradeability	25%
Max Tilt Rating - Side-to-Side	1.75 Degrees Indoor / 1.5 Degrees Outdoor
Max Tilt Rating - Fore and Aft	3.75 Degrees
Turning Radius - Inside	0
Turning Radius - Outside	66-in /1.7-m

* Certain options or country standard will increase weight

Power Source

Battery	Single 24V Lithium Ion, 72 Ah
Charger	27 amp, 650W
Drive	Fully Electric 24V AC

Lift & Steer Systems

Lift System	Fully Electric
Steer System	Fully Electric

Tires

Tire Size / Type (Non-Marking)	12.5-in x 4-in / 323-mm x 100-mm
--------------------------------	----------------------------------

Brakes

Multi-Disc Friction



Variable Tilt technology increases the scissor's work envelope allowing limited elevation on side slopes.



QuikFold rails are pinless and fold and raise with ease in seconds to fit through doors and tight spaces.



We provide coverage for one (1) full year, and cover all specified major structural components for five (5) years. Due to continuous product improvements, we reserve the right to make specification and/or equipment changes without prior notification. This machine meets or exceeds applicable ANSI and CSA requirements based on machine configuration as originally manufactured for intended applications. Please reference the serial number plate on the machine for additional information.

INTELLIGENCE THAT
DOESN'T LEAD THE CLASS.
IT TEACHES IT.

AE1932 DAVINCI SCISSOR LIFT