



Wood Laboratory Furniture

Campbell Rhea®

Trust ● Create ● Discover



History - Since 1951

Institutional Casework Inc. (ICI Scientific) is uniquely positioned to serve your complete project needs from steel, stainless steel, or custom wood laboratory and science casework to equipment, fixtures, work surfaces and fumes hoods.

ICI is privately owned, ensuring a primary focus on quality. This focus enables us to build a strong connection with our customers, employees, distributors and suppliers.

Introducing ICI Scientific - specifically designed and positioned to meet the requirements of Tier One laboratory specifications. ICI Scientific brings your preliminary concept to life; assisting from design through installation in partnership with our world-wide distributor network; delivering post-sale service and support through the lifetime of our products.

ICI Scientific is your single source for a complete laboratory. With brands steeped in a rich history, ICI Scientific is uniquely positioned to provide the complete laboratory project. Being privately owned, we ensure our primary focus is on quality, without the distraction of fluctuating stocks. We are focused on building a strong connection with employees, dealers, distributors, customers and end users.

All levels of laboratories and learning environments are created at ICI through flexibility, function, innovation and design.

American Made

ICI's three manufacturing facilities comprise 450,000 sq. ft. with 250 associates; ICI Scientific is a global provider of American Made products.

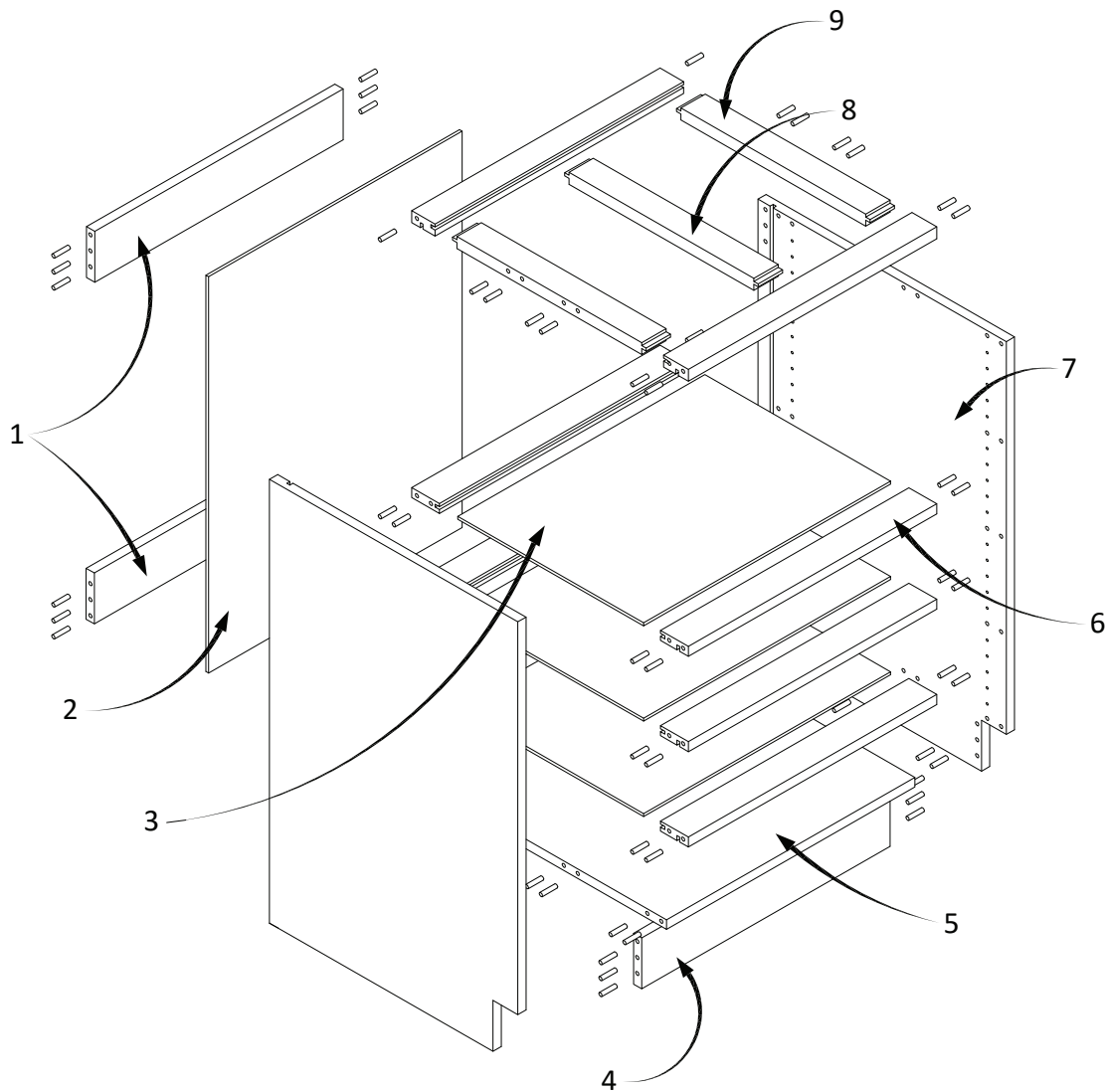


Table of Contents



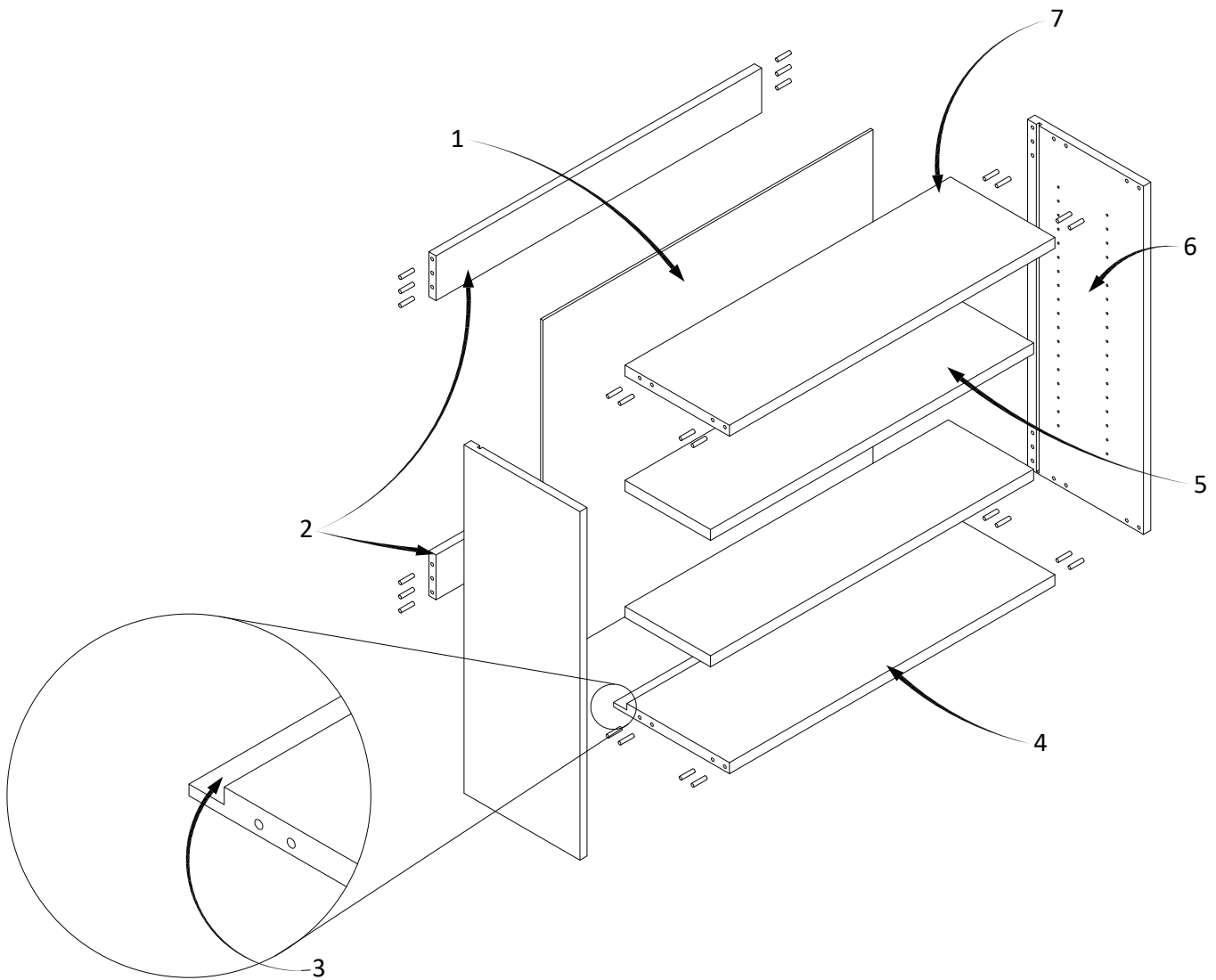
Category	Page Numbers
Standard Construction Details	4-9
Drawer and Cabinet Door Size Codes	10-13
Standard Styles	14-15
Premium Styles	16
Wood Casework Finishes	17
35" High Wood Base Cabinets	18-32
32 1/2" High Wood Base Cabinets	33-42
29" High Wood Base Cabinets	43-52
25" High Wood Base Cabinets	53-58
Wood Wall Cabinets	60-83
Wood Cabinet Accessories	84-85
Wood Tall Cabinets	86-89
Wood Tall General Storage & Display Cases	90-94
Tall Tote Tray Wood Storage Cabinets	95-97
Wood Bookcases	98
Wood Frame Tables	99-102
Wood Adjustable Tables w/ Hand Crank	103
Wood Knee Space Components	104-105
Wood Science & Laboratory Furniture	106-185
Safety, Acid & Flammable Storage Essentials	187-193
Wood ADA Compliant Furniture	194-218
Wood Life Skills Furniture	219-233
Wood Art & Craft Furniture	234-247
Wood Music Furniture	249-251
Wood Vocational Furniture	252-261
Wood Athletics & Cubbies	262-273
Wood Mailboxes	274-288
Wood Library Furniture	289-290
Seating	291-302
	303-306

Base Cabinet Construction



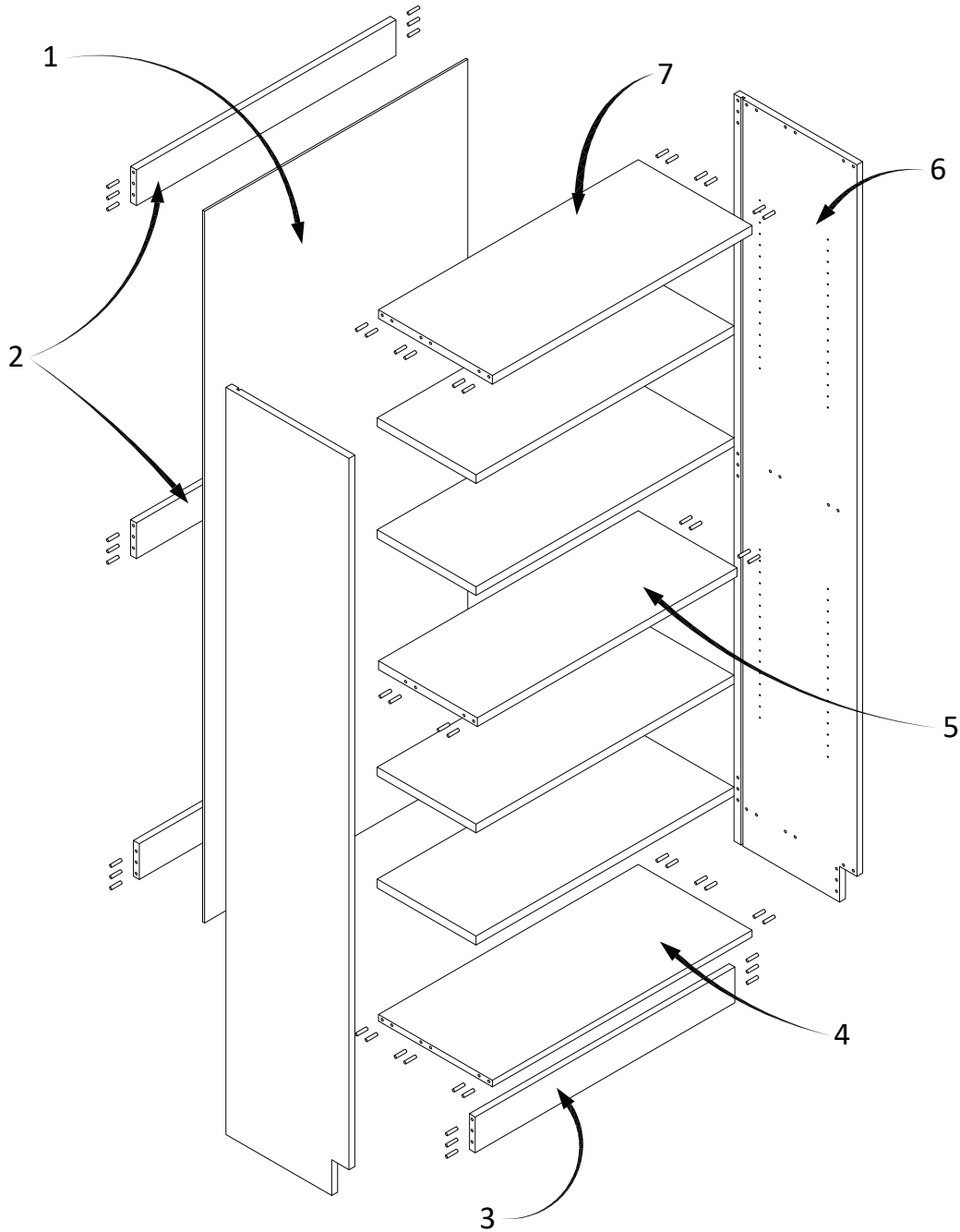
1. Rear anchor rails are 3/4" hardwood plywood, bored, doweled and glued into end panels.
2. Cabinets with exposed interiors have 1/4" hardwood plywood backs. Cabinets with unexposed interior have 1/4" color coordinated MDF backs. All backs are recessed and let into dadoed end panels and screwed to the back top rail and bottom panel. Cabinets with exposed backs are 3/4" hardwood plywood bored, doweled and glued into end panels.
3. Drawer separators (furnished only when requested) are 1/4" color coordinated MDF secured into dadoed intermediate front and back rails.
4. Toe rails are 4" high, 3/4" hardwood plywood, bored, doweled and glued into end panels.
5. Bottom panel is bored, doweled and glued into end panels. Bottom is 3/4" hardwood plywood.
6. All intermediate rails are bored, doweled and glued into end panels. Front rail: 2 1/2" x 3/4" solid hardwood with a solid edge band. Back rail: (when required) 2 1/2" x 3/4" solid hardwood.
7. End Panels are 3/4" hardwood plywood.
8. Center mullions are 2 1/8" x 1" solid hardwood tenoned, and glued into front and back rails. Center mullions are provided on cabinets wider than 30".
9. Full horizontal top frame is bored, doweled, glued, and screwed to end panels. Front top rail: 2 1/4" x 1" solid hardwood with 3mm edge banding on front edge; rear top rail: 2 1/8" x 1" solid hardwood; side rails: 2 1/8" x 1" solid hardwood tenoned, and glued into front and back rails.

Wall Cabinet Construction



1. Cabinets with exposed interiors have 1/4" hardwood plywood backs. Cabinets with unexposed interior have 1/4" color coordinated MDF backs. All backs are recessed and let into dadoed end panels and screwed to the back top rail and bottom panel. Cabinets with exposed backs are 3/4" hardwood plywood bored, doweled and glued into end panels.
2. Rear anchor rails are 3/4" hardwood plywood, bored, doweled and glued into end panels.
3. Bottom panel is half-lapped, providing a full depth finished bottom.
4. Bottom panel is bored, doweled and glued into end panels. Bottom is 1" hardwood plywood.
5. Adjustable shelves are 1" hardwood plywood.
6. End panels are 3/4" hardwood plywood.
7. Top panel is bored, doweled and glued into end panels. Top panel is 1" hardwood plywood.

Tall Cabinet Construction



1. Cabinets with exposed interiors have 1/4" hardwood plywood backs. Cabinets with unexposed interior have 1/4" color coordinated MDF backs. All backs are recessed and let into dadoed end panels and screwed to the back top rail and bottom panel. Cabinets with exposed backs are 3/4" hardwood plywood bored, doweled and glued into end panels.
2. Rear anchor rails are 3/4" hardwood plywood, bored, doweled and glued into end panels.
3. Toe rails are 4" high, 3/4" hardwood plywood, bored, doweled and glued into end panels.
4. Bottom panel is bored, doweled and glued into end panels. Bottom is 3/4" hardwood plywood.
5. Adjustable shelves are 1" hardwood plywood. Center shelf is fixed for structural support.
6. End panels are 3/4" hardwood plywood.
7. Top panel is 1" hardwood plywood, bored, doweled, and glued into end panels.

Standard Drawer Construction

1. Drawer box sides have sanded smooth, radius top edges and receive a baked on coating of catalyzed vinyl conversion varnish for uniform protection. Each side of the drawer box is grooved to receive the white MDF drawer bottom.
2. Drawers are dovetailed on all four corners. Lipped style drawer fronts are integral, dovetailed to drawer box sides; while squared edge style drawer faces are screwed to the face of a fully constructed drawer box.
3. Once all four sides of the box encapsulate the drawer bottom, a continuous bead of glue is applied underneath to further secure the seal and the drawer.
4. Drawer slides are side/bottom mounted, heavy-duty, epoxy powder coated, 100 lbs. capacity and equipped with heavy duty ball bearing nylon rollers for smooth effortless operation.



Standard Three-Point Latching System

1. CampbellRhea tall case doors have, as our standard, a three-point latching system where some competitors use only roller or magnetic catches.
2. The quality of CampbellRhea's three-point latching system enables the door to be pulled securely shut. Tapered aluminum rods - which engage plastic strike plates at the top and bottom of the case - move in nylon guides attached to the back of the door. The middle of the door is secured by a latch plate, which engages the side of the case, or latches behind the left door on cases with double doors.



Standard Construction Details

Hinges

CampbellRhea's standard hinges are heavy-duty, laboratory grade and hospital tipped for consistency, strength and durability. They are certified to the rigors of SEFA-8 performance standards.

All CampbellRhea hinges are equipped with slotted holes for final adjustments in the field; and, installed with Euro screws for the best holding power over a simple wood screw.

CampbellRhea hinges, matched to lipped or squared edge styles, are available in a variety of standard finishes.

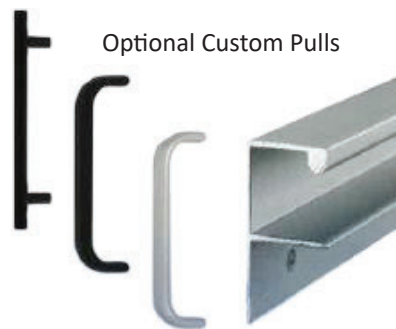


Pulls

CampbellRhea's tailored pulls are laboratory grade and feature distinctive, clean lines designed to compliment our casework styles. CampbellRhea standard pulls are ADA compatible and include a variety of standard options for each style.

Illustrated here are our selection of standard aluminum and epoxy powder-coated rods, flat bars, bow pulls; stained-to-match wood visor pull and a black plastic waterfall pull.

We also meet unique designer selections at a reasonable up-charge. Shown below are several custom pulls used on a variety of casework projects completed for our clients: a sleek aluminum "F" pull; "T" bar pulls in chrome or black powder coat; and, the matte finished black or brushed aluminum flat rod.



Locks

In today's laboratories, a wide variety of keying requirements are needed. As a CampbellRhea standard, locks are keyed differently, master keyed and two keys are provided with each lock. All lock faces match the project's selected hardware.

Keying systems can be keyed differently, master keyed or grand master keyed (5 pin only). To meet the unique needs of your project, CampbellRhea makes two key-lock options available:

- Five (5) pin mechanism
- Five (5) disc tumble mechanism

Five Disc tumble mechanism has a removable core system allows lock cores to be held out until the project is completed; removing the control security risk of lost or stolen keys during installation. Once installed, with the use of a control key, the lock core of the assembly can be removed and a new lock core inserted, changing an entire locking system in minutes.



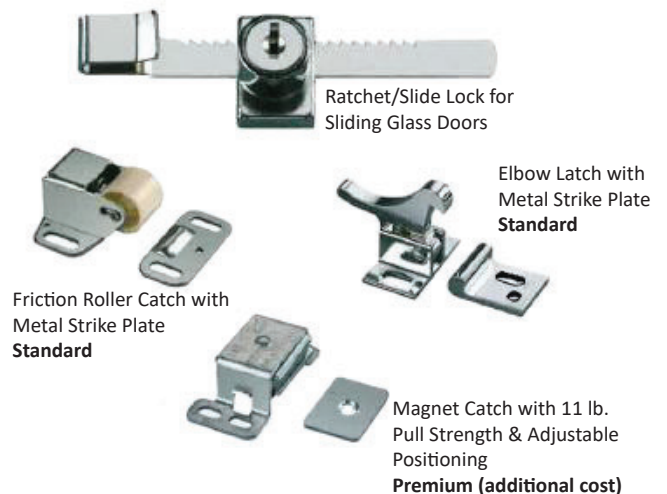
Handles

CampbellRhea provides a SEFA-8 performance certified, ADA compatible "pull only" latching handle, and a latching or locking/turn handle in black or chrome for our tall case standard 3-point closure systems.



Latches

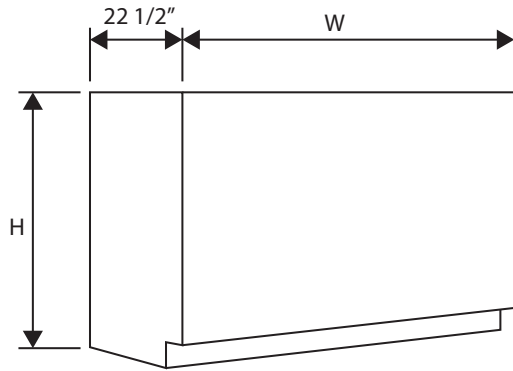
Specialty locks, latches and catches are used in a variety of applications to secure closure of solid doors; as well as solid sliding, and glass sliding doors.



Drawer and Cabinet Door Size Code (Group A)

Group A is our classic dimensioned cabinets. Unless otherwise specified, all cupboards are 21" deep, inside dimension. All shelves are full width, full depth, adjustable on double row drilling for maximum shelf adjustment flexibility, unless otherwise noted. Locks are not included in all units. Locks can be furnished on most units if specified. Security panels for locked drawer compartments are not included; however, they can be furnished if specified.

Cupboard Height and Width

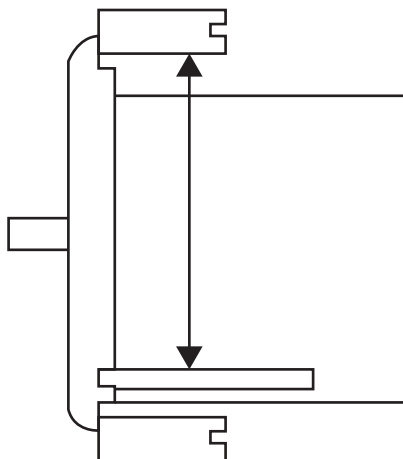


Cupboard Width				
Base Cabinet Width	Number of Cupboards Across			
	1	2	3	4
12 3/8"	10 7/8"	-	-	-
15 5/16"	13 7/8"	-	-	-
18"	16 1/2"	-	-	-
21"	19 1/2"	-	-	-
24"	22 1/2"	10 7/8"	-	-
27"	25 1/2"	12 3/8"	-	-
30"	28 1/2"	13 7/8"	-	-
33"	31 1/2"	15 3/8"	-	-
35 1/4"	33 3/4"	16 1/2"	10 9/16"	-
39"	37 1/2"	18 3/8"	11 7/8"	-
41 1/4"	39 3/4"	19 1/2"	12 9/16"	-
45"	43 1/2"	21 3/8"	13 7/8"	-
47 1/4"	45 3/4"	22 1/2"	14 9/16"	10 11/16"
58 1/4"	56 3/4"	-	18 1/4"	-
70 1/4"	-	-	22 1/4"	-

Cupboard Heights				
Type of Cupboard	35" High Units	32 1/2" High Units	29" High Units	25" High Units
Full Height	29 1/4"	21 3/4"	23 1/4"	19 1/4"
3/4 Height	21 3/4"	19 7/8"	17 1/4"	14 1/4"
2/3 Height	19 1/4"	17 1/2"	15 1/4"	12"
1/2 Height	14 1/4"	13"	-	-

Drawer Box Height

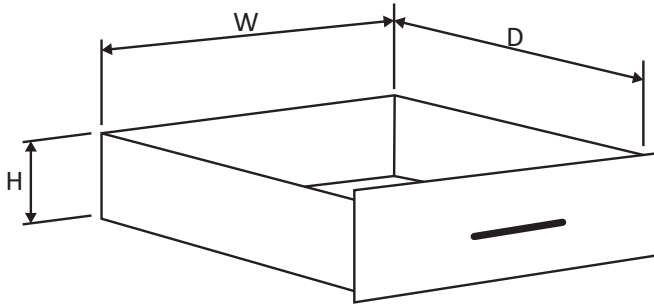
Drawer box depth is the inside, usable depth. Drawer mark indicates the number of drawers required to reach the full height of the unit. "F" stands for File drawer with a file folder rack. File drawer box depth is 10 1/4", ID, unless noted.



Drawer Box Height (Opening minus 1")				
Drawer Mark	35" High Units	32 1/2" High Units	29" High Units	25" High Units
2	-	-	10 1/4"	8 1/4"
3	8 1/4"	7 3/8"	6 1/4"	5"
4	5 3/4"	5 1/8"	4 1/4"	3 1/4"
5	4 1/4"	-	-	-
6	3 1/4"	3 3/16"	2 1/2"	-
8	2 1/4"	-	-	-
F	10 1/4"	10 1/4"	10 1/4"	-

Drawer and Cabinet Door Size Code (Group A)

Drawer Width

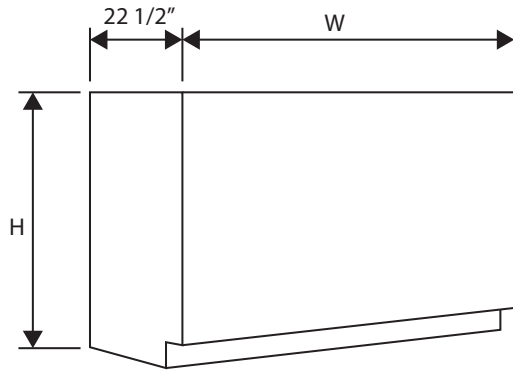


Drawer Width (ID)				
Base Cabinet Width	Number of Drawers Across			
	1	2	3	4
12 3/8"	8 7/8"	-	-	-
15 5/16"	11 13/16"	-	-	-
18"	14 1/2"	-	-	-
21"	17 1/2"	-	-	-
24"	20 1/2"	8 7/8"	-	-
27"	23 1/2"	10 3/8"	-	-
30"	26 1/2"	11 7/8"	-	-
33"	29 1/2"	13 3/8"	-	-
35 1/4"	31 3/4"	14 1/2"	8 5/8"	-
39"	35 1/2"	16 3/8"	9 7/8"	-
41 1/4"	37 3/4"	17 1/2"	10 5/8"	-
45"	41 1/2"	19 3/8"	11 7/8"	-
47 1/4"	43 3/4"	20 1/2"	12 5/8"	8 11/16"
58 1/4"	-	-	16 1/4"	-
70 1/4"	-	-	20 1/4"	-

Drawer and Cabinet Door Size Code (Group B)

Group B is our contemporary even increment dimensioned cabinets. Unless otherwise specified, all cupboards are 21" deep, inside dimension. All shelves are full width, full depth, adjustable on double row drilling for maximum shelf adjustment flexibility, unless otherwise noted. Locks are not included in all units. Locks can be furnished on most units if specified. Security panels for locked drawer compartments are not included; however, they can be furnished if specified.

Cupboard Height and Width

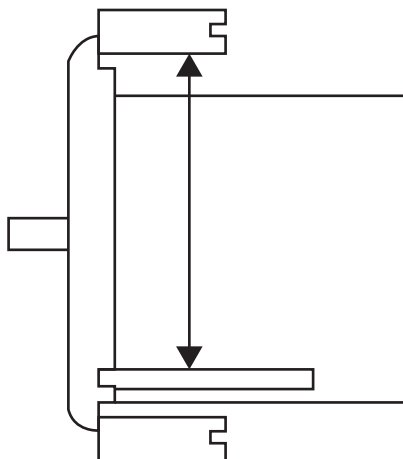


Cupboard Width				
Base Cabinet Width	Number of Cupboards Across			
	1	2	3	4
12"	10 1/2"	-	-	-
15"	13 1/2"	-	-	-
18"	16 1/2"	-	-	-
21"	19 1/2"	-	-	-
24"	22 1/2"	10 1/2"	-	-
27"	25 1/2"	12"	-	-
30"	28 1/2"	13 1/2"	-	-
33"	31 1/2"	15"	-	-
36"	34 1/2"	16 1/2"	10 9/16"	-
39"	37 1/2"	18"	11 9/16"	-
42"	40 1/2"	19 9/16"	12 9/16"	-
45"	43 1/2"	21"	13 9/16"	-
48"	46 1/2"	22 1/2"	14 9/16"	10 9/16"
58 1/4"	56 3/4"	-	18"	-
70 1/4"	-	-	22"	-

Cupboard Heights				
Type of Cupboard	35" High Units	32 1/2" High Units	29" High Units	25" High Units
Full Height	29 1/4"	21 3/4"	23 1/4"	19 1/4"
3/4 Height	21 3/4"	19 7/8"	17 1/4"	14 1/4"
2/3 Height	19 1/4"	17 1/2"	15 1/4"	12"
1/2 Height	14 1/4"	13"	-	-

Drawer Box Height

Drawer box depth is the inside, usable depth. Drawer mark indicates the number of drawers required to reach the full height of the unit. "F" stands for File drawer with a file folder rack. File drawer box depth is 10 1/4", ID, unless noted.

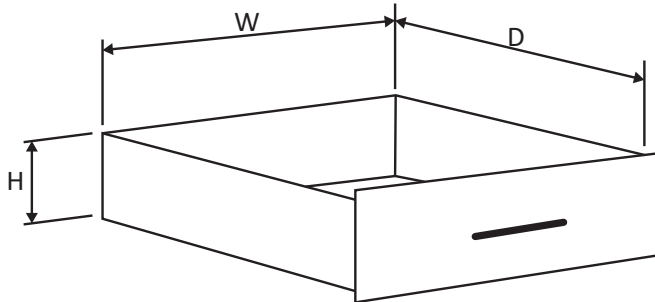


Drawer Box Height (Opening minus 1")				
Drawer Mark	35" High Units	32 1/2" High Units	29" High Units	25" High Units
2	-	-	10 1/4"	8 1/4"
3	8 1/4"	7 3/8"	6 1/4"	5"
4	5 3/4"	5 1/8"	4 1/4"	3 1/4"
5	4 1/4"	-	-	-
6	3 1/4"	3 3/16"	2 1/2"	-
8	2 1/4"	-	-	-
F	10 1/4"	10 1/4"	10 1/4"	-

Drawer and Cabinet Door Size Code (Group B)

Drawer Width

Unless specified drawers are 17" deep, ID.



Drawer Width (ID)				
Base Cabinet Width	Number of Drawers Across			
	1	2	3	4
12"	8 1/2"	-	-	-
15"	11 1/2"	-	-	-
18"	14 1/2"	-	-	-
21"	17 1/2"	-	-	-
24"	20 1/2"	8 1/2"	-	-
27"	23 1/2"	10"	-	-
30"	26 1/2"	11 1/2"	-	-
33"	29 1/2"	13"	-	-
36"	32 1/2"	14 1/2"	8 9/16"	-
39"	35 1/2"	16"	9 9/16"	-
42"	38 1/2"	17 9/16"	10 9/16"	-
45"	41 1/2"	19"	11 9/16"	-
48"	44 1/2"	20 1/2"	12 9/16"	8 9/16"
58 1/4"	-	-	16"	-
70 1/4"	-	-	20"	-

Classic (Group A)



Holding to true traditional, classic wood casework design, this style demonstrates a bold strength of body with the smooth arc of style.

Styling: A unique style of squared overlay design accented with a classic radius front while the back edge remains squared.

Material: Available in Oak and Maple

Drawer and Door Grain Direction: Drawers - Horizontal grain. Doors - Vertical grain

Pull: Black Aluminum Bow Rod

Latching/Locking Handles: Black

Locks: Black

Hinges: Black Finished Steel

Dimension Style: Fractional (Group A)

Spectrum (Group A)



Offering a wide variety of color with plastic laminate faces and a clean tailored look.

Styling: Squared edges with black PVC edge band applied after lamination, overlap the opening by 1/4".

Material: Available in Oak and Maple

Drawer and Door Grain Direction: When required, to be horizontal on drawers and vertical on doors

Pull: Black Powder Coated Rod

Latching/Locking Handles: Black

Locks: Black

Hinges: Black Finished Steel

Dimension Style: Fractional (Group A)

Signature II (Group A)



Plain sliced oak or rotary cut maple, combo-grain veneer faces with solid wood edging.

Styling: Edges are squared & overlap the opening by 1/4".

Material: Available in Oak and Maple

Drawer and Door Grain Direction: Drawers - Horizontal grain. Doors - Vertical grain

Pull: Aluminum Rod

Latching/Locking Handles: Chrome

Locks: Chrome

Hinges: Chrome

Dimension Style: Fractional (Group A)

Empire (Group B)



Plain sliced oak or rotary cut maple, vertical grain veneer faces with solid wood edging.

Styling: Full flush overlay with squared edges.

Material: Available in Oak and Maple

Drawer and Door Grain Direction: Drawers and Doors - Matched Vertical grain

Pull: Aluminum Rod

Latching/Locking Handles: Chrome

Locks: Chrome

Hinges: Chrome

Dimension Style: Even (Style B)

Inspire (Group B)



Styling: This design features inset drawer and door.

Material: Available in Oak and Maple

Drawer and Door Grain Direction: Drawers and Doors - Matched Vertical grain

Pull: Aluminum Bow Rod

Latching/Locking Handles: Chrome

Locks: Chrome

Hinges: Chrome

Dimension Style: Even (Style B)

Legend (Group B)



Styling: This design features wide gentle curves of solid lumber on drawer and door side edges, with solid core.

Material: Available in Beech, Oak and Maple

Drawer and Door Grain Direction: Drawers and Doors - Matched Vertical grain

Pull: Aluminum Rod

Latching/Locking Handles: Chrome

Locks: Chrome

Hinges: Chrome

Dimension Style: Even (Style B)

Tier One (Group B)



The perfect blend of old world craftsmanship and modern design.

Styling: Full flush overlay

Material: Available in Oak, Maple, Cherry, Bamboo, European Beech and American White Ash

Drawer and Door Grain Direction: Drawers and Doors - Matched Vertical grain

Pull: Stainless Steel

Latching/Locking Handles: Chrome

Locks: Chrome

Hinges: Stainless Steel

Dimension Style: Even (Style B)

Symphony (Group B)



Rift cut oak, solid wood edging

Styling: Full flush overlay with squared edges.

Material: Available in ONLY Oak

Drawer and Door Grain Direction: Drawers and Doors - Matched Vertical grain

Pull: Aluminum Rod

Latching/Locking Handles: Chrome

Locks: Chrome

Hinges: Chrome

Dimension Style: Even (Style B)

Heritage (Group A)



Historically, CampbellRhea's most popular style combines a classic design with traditional laboratory casework lines.

Styling: Machine radius, lipped edges are semi-recessed & overlap the opening by 1/4".

Material: Available in Oak and Maple

Drawer and Door Grain Direction: Drawers - Horizontal grain. Doors - Vertical grain

Pull: Aluminum Flat Bar

Latching/Locking Handles: Chrome

Locks: Chrome

Hinges: Stainless Steel

Dimension Style: Fractional (Style A)

Signature (Group A)



Another perennial favorite with clean, trim professional looks.

Styling: Edges are squared & overlap the opening by 1/4"

Material: Available in Oak and Maple

Drawer and Door Grain Direction: Drawers - Horizontal grain. Doors - Vertical grain

Pull: Aluminum Rod

Latching/Locking Handles: Chrome

Locks: Chrome

Hinges: Chrome

Dimension Style: Fractional (Style A)

Wood Casework Finishes

1. CampbellRhea selects the finest Quality Oak and Maple lumber and veneer-faced plywoods.
2. All surfaces are progressively sanded smooth, starting with #120 grit sandpaper and finishing with #220 grit sandpaper.
3. After sanding, surfaces are vacuumed and blown to eliminate all dust particles.
4. An equalizing toner is applied to establish consistent color uniformity.
5. The specified NGR (non-grain raising) stain is pressure applied to reveal the hidden beauty of the grain. The stain coat is allowed to air dry.
6. CampbellRhea's catalyzed vinyl conversion varnish sealer is pressure applied, penetrating all exposed wood surfaces for uniform protection.
7. The sealed product is placed in specially designed high temperature ovens at 135-140°F to ensure a complete & thorough cure.
8. All surfaces are again hand sanded, providing a smooth consistent surface to accept two coats of CampbellRhea's catalyzed conversion varnish top coat.
9. Our standard finish meets AWI/QCP requirements by receiving two applications of the catalyzed conversion varnish and the product is again place in specially designed high temperature ovens at 135-140°F to ensure a complete & thorough cure.
10. The unique CampbellRhea stains and the custom finish, provide a high quality luster to the surface and maximum resistance to scuffing, dents, moisture, chemicals and solvents in the laboratory environment - or any casework application.

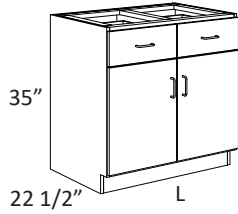
Oak Finishes



Maple Finishes

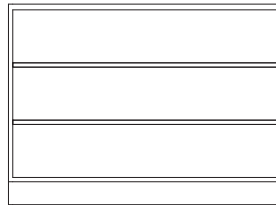


35" High Wood Base Cabinets



- 35" High base cabinets are 22 1/2" Deep.
- Lengths are as shown.
- All door cabinets have 1 adjustable shelf
- Drawer height is denoted by "Drawer Mark" on cabinet. See table on pages 10-13 for reference. If the drawer height is a custom size, the dimension will be listed on the drawer.

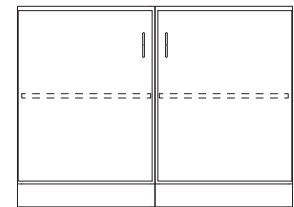
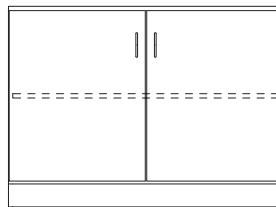
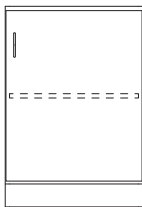
Open Cabinets



Cat. No.	Group A	Group B
1200	12 3/8"	12"
1202	15 5/16"	15"
1204	18"	18"
1206	21"	21"
1208	24"	24"

Cat. No.	Group A	Group B
1490	27"	27"
1492	30"	30"
1493	33"	33"
1494	35 1/4"	36"
1495	39"	39"
1496	41 1/4"	42"
1497	45"	45"
1498	47 1/4"	48"

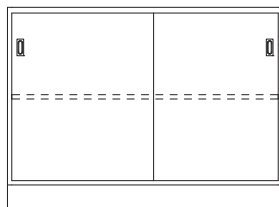
Door Cabinets



Cat. No.	Group A	Group B
1210	12 3/8"	12"
1212	15 5/16"	15"
1214	18"	18"
1216	21"	21"
1218	24"	24"

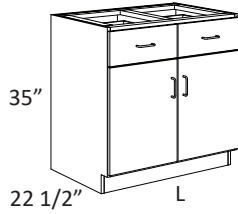
Cat. No.	Group A	Group B
1500	24"	24"
1502	27"	27"
1504	30"	30"
1505	33"	33"
1506	35 1/4"	36"
1507	39"	39"
1508	41 1/4"	42"
1509	45"	45"
1510	47 1/4"	48"

Cat. No.	Group A	Group B
1512	24"	24"
1514	27"	27"
1516	30"	30"
1518	35 1/4"	36"
1520	41 1/4"	42"
1522	47 1/4"	48"



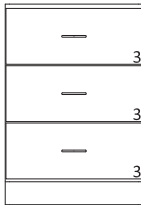
Cat. No.	Group A	Group B
1524	30"	30"
1526	35 1/4"	36"
1527	41 1/4"	42"
1528	47 1/4"	48"

35" High Wood Base Cabinets

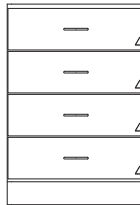


- 35" High base cabinets are 22 1/2" Deep.
- Lengths are as shown.
- All door cabinets have 1 adjustable shelf
- Drawer height is denoted by "Drawer Mark" on cabinet. See table on pages 10-13 for reference. If the drawer height is a custom size, the dimension will be listed on the drawer.

Drawer Cabinets



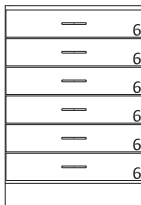
Cat. No.	Group A	Group B
1240	12 3/8"	12"
1242	15 5/16"	15"
1244	18"	18"
1246	21"	21"
1248	24"	24"



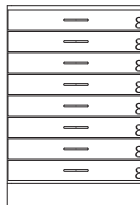
Cat. No.	Group A	Group B
1260	12 3/8"	12"
1262	15 5/16"	15"
1264	18"	18"
1266	21"	21"
1268	24"	24"



Cat. No.	Group A	Group B
1290	12 3/8"	12"
1292	15 5/16"	15"
1294	18"	18"
1296	21"	21"
1298	24"	24"



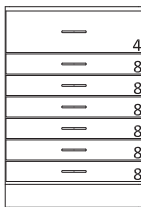
Cat. No.	Group A	Group B
1300	12 3/8"	12"
1302	15 5/16"	15"
1304	18"	18"
1306	21"	21"
1308	24"	24"



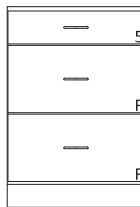
Cat. No.	Group A	Group B
1310	12 3/8"	12"
1312	15 5/16"	15"
1314	18"	18"
1316	21"	21"
1318	24"	24"



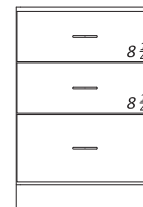
Cat. No.	Group A	Group B
1320	12 3/8"	12"
1322	15 5/16"	15"
1324	18"	18"
1326	21"	21"
1328	24"	24"



Cat. No.	Group A	Group B
1330	12 3/8"	12"
1332	15 5/16"	15"
1334	18"	18"
1336	21"	21"
1338	24"	24"

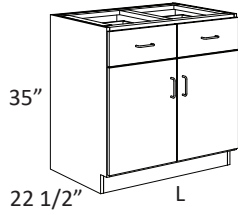


Cat. No.	Group A	Group B
1430	18"	18"
1432	21"	21"
1434	24"	24"



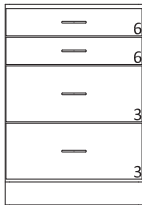
Cat. No.	Group A	Group B
1436	18"	18"
1438	21"	21"
1440	24"	24"

35" High Wood Base Cabinets

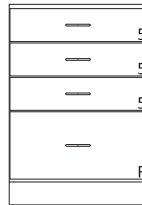


- 35" High base cabinets are 22 1/2" Deep.
- Lengths are as shown.
- All door cabinets have 1 adjustable shelf
- Drawer height is denoted by "Drawer Mark" on cabinet. See table on pages 10-13 for reference. If the drawer height is a custom size, the dimension will be listed on the drawer.

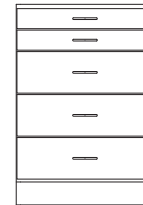
Drawer Cabinets



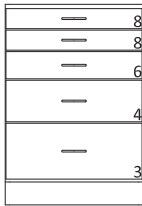
Cat. No.	Group A	Group B
1442	12 3/8"	12"
1444	15 5/16"	15"
1446	18"	18"
1448	21"	21"
1450	24"	24"



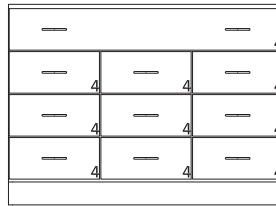
Cat. No.	Group A	Group B
1452	18"	18"
1454	21"	21"
1456	24"	24"



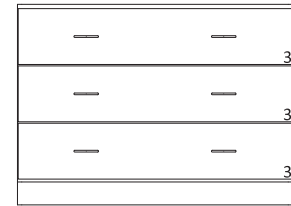
Cat. No.	Group A	Group B
1458	12 3/8"	12"
1460	15 5/16"	15"
1462	18"	18"
1464	21"	21"
1466	24"	24"



Cat. No.	Group A	Group B
1468	12 3/8"	12"
1470	15 5/16"	15"
1472	18"	18"
1474	21"	21"
1476	24"	24"



Cat. No.	Group A	Group B
1906	35 1/4"	36"
1908	41 1/4"	42"
1910	47 1/4"	48"



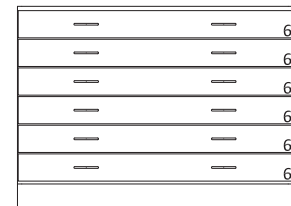
Cat. No.	Group A	Group B
1942	24"	24"
1944	27"	27"
1946	30"	30"
1947	33"	33"
1948	35 1/4"	36"
1949	39"	39"
1950	41 1/4"	42"
1951	45"	45"
1952	47 1/4"	48"



Cat. No.	Group A	Group B
1954	24"	24"
1956	27"	27"
1958	30"	30"
1959	33"	33"
1960	35 1/4"	36"
1961	39"	39"
1962	41 1/4"	42"
1963	45"	45"
1964	47 1/4"	48"

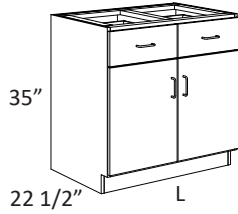


Cat. No.	Group A	Group B
1966	24"	24"
1968	27"	27"
1970	30"	30"
1972	35 1/4"	36"
1974	41 1/4"	42"
1976	47 1/4"	48"



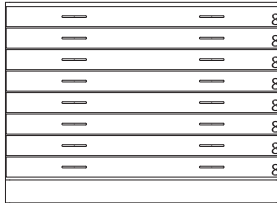
Cat. No.	Group A	Group B
1978	24"	24"
1980	27"	27"
1982	30"	30"
1984	35 1/4"	36"
1986	41 1/4"	42"
1988	47 1/4"	48"

35" High Wood Base Cabinets



- 35" High base cabinets are 22 1/2" Deep.
- Lengths are as shown.
- All door cabinets have 1 adjustable shelf
- Drawer height is denoted by "Drawer Mark" on cabinet. See table on pages 10-13 for reference. If the drawer height is a custom size, the dimension will be listed on the drawer.

Drawer Cabinets



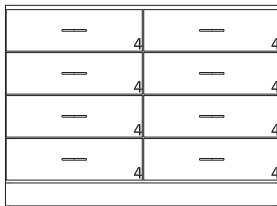
Cat. No.	Group A	Group B
1990	24"	24"
1992	27"	27"
1994	30"	30"
1996	35 1/4"	36"
1998	41 1/4"	42"
2000	47 1/4"	48"



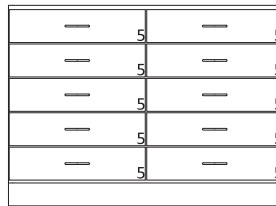
Cat. No.	Group A	Group B
2002	24"	24"
2004	27"	27"
2006	30"	30"
2008	35 1/4"	36"
2010	41 1/4"	42"
2012	47 1/4"	48"



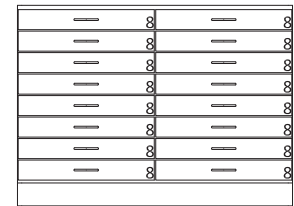
Cat. No.	Group A	Group B
2014	24"	24"
2016	27"	27"
2018	30"	30"
2020	35 1/4"	36"
2022	41 1/4"	42"
2024	47 1/4"	48"



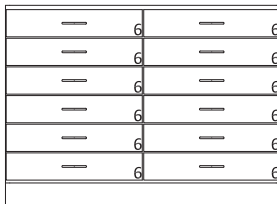
Cat. No.	Group A	Group B
2026	24"	24"
2028	27"	27"
2030	30"	30"
2032	35 1/4"	36"
2034	41 1/4"	42"
2036	47 1/4"	48"



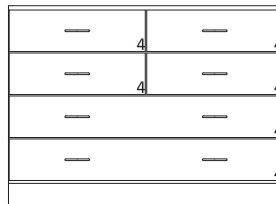
Cat. No.	Group A	Group B
2038	24"	24"
2040	27"	27"
2042	30"	30"
2044	35 1/4"	36"
2046	41 1/4"	42"
2048	47 1/4"	48"



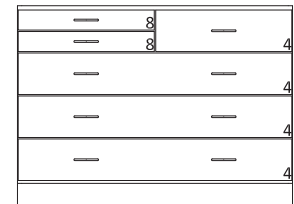
Cat. No.	Group A	Group B
2050	24"	24"
2052	27"	27"
2054	30"	30"
2056	35 1/4"	36"
2058	41 1/4"	42"
2060	47 1/4"	48"



Cat. No.	Group A	Group B
2063	24"	24"
2065	27"	27"
2067	30"	30"
2069	35 1/4"	36"
2071	41 1/4"	42"
2073	47 1/4"	48"

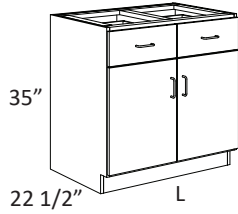


Cat. No.	Group A	Group B
2074	24"	24"
2076	27"	27"
2078	30"	30"
2080	35 1/4"	36"
2082	41 1/4"	42"
2084	47 1/4"	48"



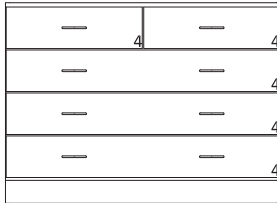
Cat. No.	Group A	Group B
2075	24"	24"
2077	27"	27"
2079	30"	30"
2081	35 1/4"	36"
2083	41 1/4"	42"
2085	47 1/4"	48"

35" High Wood Base Cabinets

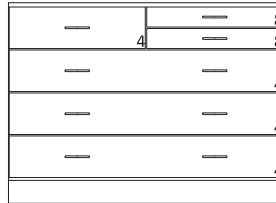


- 35" High base cabinets are 22 1/2" Deep.
- Lengths are as shown.
- All door cabinets have 1 adjustable shelf
- Drawer height is denoted by "Drawer Mark" on cabinet. See table on pages 10-13 for reference. If the drawer height is a custom size, the dimension will be listed on the drawer.

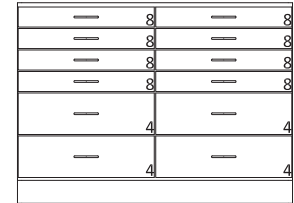
Drawer Cabinets



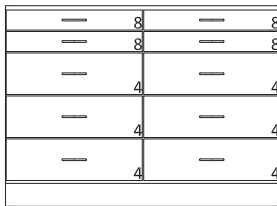
Cat. No.	Group A	Group B
2086	24"	24"
2088	27"	27"
2090	30"	30"
2092	35 1/4"	36"
2094	41 1/4"	42"
2096	47 1/4"	48"



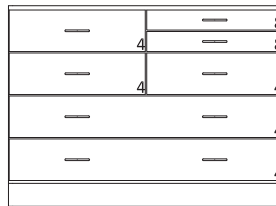
Cat. No.	Group A	Group B
2087	24"	24"
2089	27"	27"
2091	30"	30"
2093	35 1/4"	36"
2095	41 1/4"	42"
2097	47 1/4"	48"



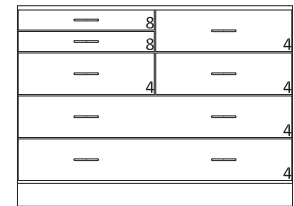
Cat. No.	Group A	Group B
2102	24"	24"
2104	27"	27"
2106	30"	30"
2108	35 1/4"	36"
2110	41 1/4"	42"
2112	47 1/4"	48"



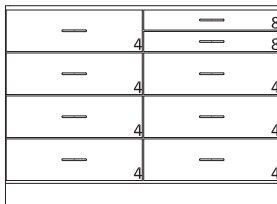
Cat. No.	Group A	Group B
2114	24"	24"
2116	27"	27"
2118	30"	30"
2120	35 1/4"	36"
2122	41 1/4"	42"
2124	47 1/4"	48"



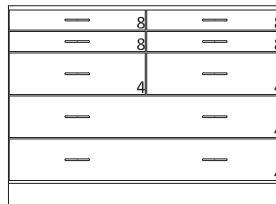
Cat. No.	Group A	Group B
2126	24"	24"
2128	27"	27"
2130	30"	30"
2132	35 1/4"	36"
2134	41 1/4"	42"
2136	47 1/4"	48"



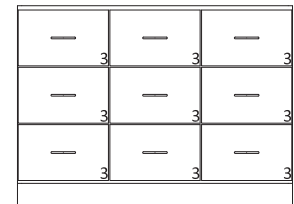
Cat. No.	Group A	Group B
2138	24"	24"
2140	27"	27"
2142	30"	30"
2144	35 1/4"	36"
2146	41 1/4"	42"
2148	47 1/4"	48"



Cat. No.	Group A	Group B
2150	24"	24"
2152	27"	27"
2154	30"	30"
2156	35 1/4"	36"
2158	41 1/4"	42"
2160	47 1/4"	48"

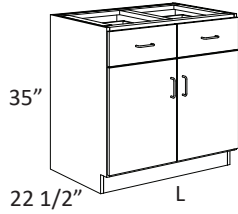


Cat. No.	Group A	Group B
2162	24"	24"
2164	27"	27"
2166	30"	30"
2168	35 1/4"	36"
2170	41 1/4"	42"
2172	47 1/4"	48"



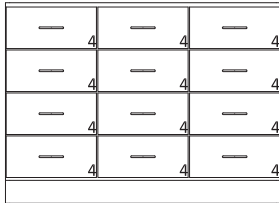
Cat. No.	Group A	Group B
2174	35 1/4"	36"
2176	41 1/4"	42"
2178	47 1/4"	48"

35" High Wood Base Cabinets



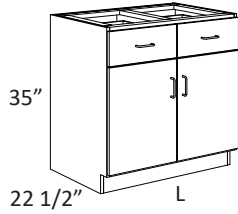
- 35" High base cabinets are 22 1/2" Deep.
- Lengths are as shown.
- All door cabinets have 1 adjustable shelf
- Drawer height is denoted by "Drawer Mark" on cabinet. See table on pages 10-13 for reference. If the drawer height is a custom size, the dimension will be listed on the drawer.

Drawer Cabinets



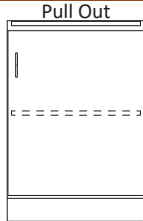
Cat. No.	Group A	Group B
2180	35 1/4"	36"
2182	41 1/4"	42"
2184	47 1/4"	48"

35" High Wood Base Cabinets

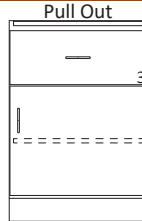


- 35" High base cabinets are 22 1/2" Deep.
- Lengths are as shown.
- All door cabinets have 1 adjustable shelf
- Drawer height is denoted by "Drawer Mark" on cabinet. See table on pages 10-13 for reference. If the drawer height is a custom size, the dimension will be listed on the drawer.

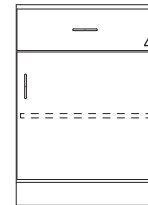
Combination Cabinets



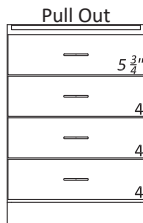
Cat. No.	Group A	Group B
1220	12 3/8"	12"
1222	15 5/16"	15"
1224	18"	18"
1226	21"	21"
1228	24"	24"



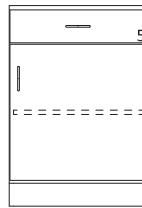
Cat. No.	Group A	Group B
1231	12 3/8"	12"
1233	15 5/16"	15"
1235	18"	18"
1237	21"	21"
1239	24"	24"



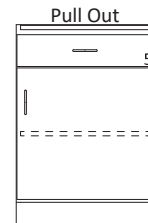
Cat. No.	Group A	Group B
1250	12 3/8"	12"
1252	15 5/16"	15"
1254	18"	18"
1256	21"	21"
1258	24"	24"



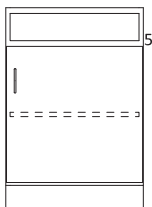
Cat. No.	Group A	Group B
1261	12 3/8"	12"
1263	15 5/16"	15"
1265	18"	18"
1267	21"	21"
1269	24"	24"



Cat. No.	Group A	Group B
1270	12 3/8"	12"
1272	15 5/16"	15"
1274	18"	18"
1276	21"	21"
1278	24"	24"



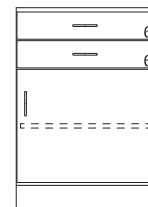
Cat. No.	Group A	Group B
1280	12 3/8"	12"
1282	15 5/16"	15"
1284	18"	18"
1286	21"	21"
1288	24"	24"



Cat. No.	Group A	Group B
1340	12 3/8"	12"
1342	15 5/16"	15"
1344	18"	18"
1346	21"	21"
1348	24"	24"

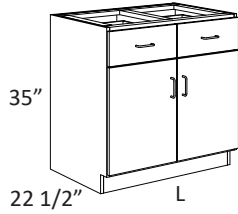


Cat. No.	Group A	Group B
1370	12 3/8"	12"
1372	15 5/16"	15"
1374	18"	18"
1376	21"	21"
1378	24"	24"



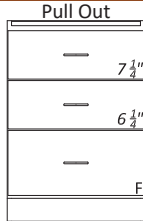
Cat. No.	Group A	Group B
1380	12 3/8"	12"
1382	15 5/16"	15"
1384	18"	18"
1386	21"	21"
1388	24"	24"

35" High Wood Base Cabinets

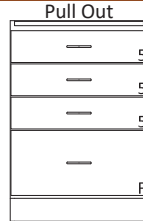


- 35" High base cabinets are 22 1/2" Deep.
- Lengths are as shown.
- All door cabinets have 1 adjustable shelf
- Drawer height is denoted by "Drawer Mark" on cabinet. See table on pages 10-13 for reference. If the drawer height is a custom size, the dimension will be listed on the drawer.

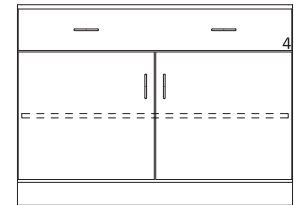
Combination Cabinets



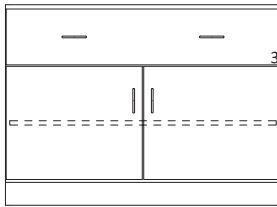
Cat. No.	Group A	Group B
1478	18"	18"
1480	21"	21"
1482	24"	24"



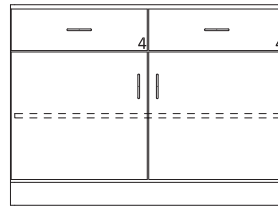
Cat. No.	Group A	Group B
1484	18"	18"
1486	21"	21"
1488	24"	24"



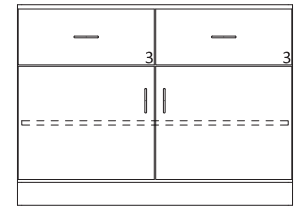
Cat. No.	Group A	Group B
1544	24"	24"
1546	27"	27"
1548	30"	30"
1549	33"	33"
1550	35 1/4"	36"
1551	39"	39"
1552	41 1/4"	42"
1553	45"	45"
1554	47 1/4"	48"



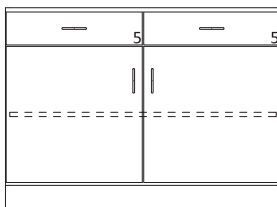
Cat. No.	Group A	Group B
1556	24"	24"
1558	27"	27"
1560	30"	30"
1561	33"	33"
1562	35 1/4"	36"
1563	39"	39"
1564	41 1/4"	42"
1565	45"	45"
1566	47 1/4"	48"



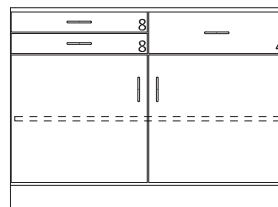
Cat. No.	Group A	Group B
1568	24"	24"
1570	27"	27"
1572	30"	30"
1572G	33"	33"
1574	35 1/4"	36"
1574J	39"	39"
1576	41 1/4"	42"
1576K	45"	45"
1578	47 1/4"	48"



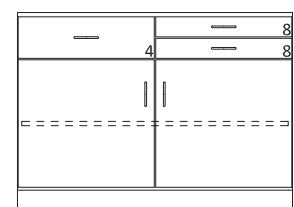
Cat. No.	Group A	Group B
1569	24"	24"
1571	27"	27"
1573	30"	30"
1573G	33"	33"
1575	35 1/4"	36"
1575J	39"	39"
1577	41 1/4"	42"
1577K	45"	45"
1579	47 1/4"	48"



Cat. No.	Group A	Group B
1580	24"	24"
1582	27"	27"
1584	30"	30"
1586	35 1/4"	36"
1588	41 1/4"	42"
1590	47 1/4"	48"

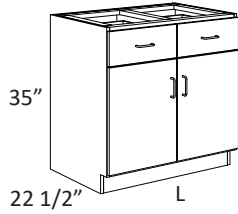


Cat. No.	Group A	Group B
1592	24"	24"
1594	27"	27"
1596	30"	30"
1598	35 1/4"	36"
1600	41 1/4"	42"
1602	47 1/4"	48"



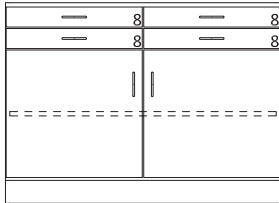
Cat. No.	Group A	Group B
1604	24"	24"
1606	27"	27"
1608	30"	30"
1610	35 1/4"	36"
1612	41 1/4"	42"
1614	47 1/4"	48"

35" High Wood Base Cabinets

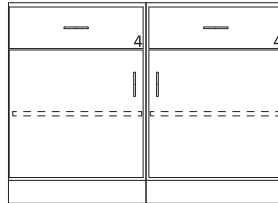


- 35" High base cabinets are 22 1/2" Deep.
- Lengths are as shown.
- All door cabinets have 1 adjustable shelf
- Drawer height is denoted by "Drawer Mark" on cabinet. See table on pages 10-13 for reference. If the drawer height is a custom size, the dimension will be listed on the drawer.

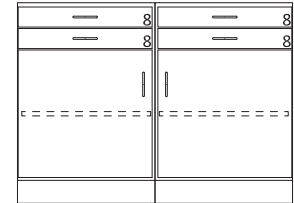
Combination Cabinets



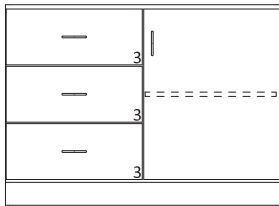
Cat. No.	Group A	Group B
1616	24"	24"
1618	27"	27"
1620	30"	30"
1622	35 1/4"	36"
1624	41 1/4"	42"
1626	47 1/4"	48"



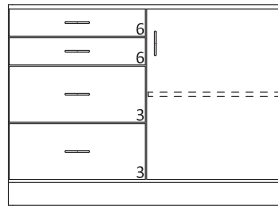
Cat. No.	Group A	Group B
1644	24"	24"
1646	27"	27"
1648	30"	30"
1650	35 1/4"	36"
1652	41 1/4"	42"
1654	47 1/4"	48"



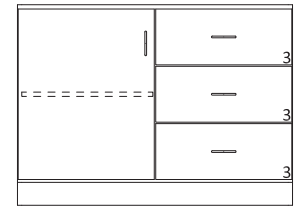
Cat. No.	Group A	Group B
1656	24"	24"
1658	27"	27"
1660	30"	30"
1662	35 1/4"	36"
1664	41 1/4"	42"
1666	47 1/4"	48"



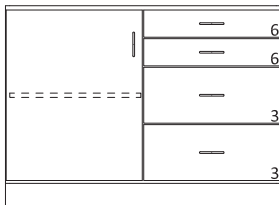
Cat. No.	Group A	Group B
1668	24"	24"
1670	27"	27"
1672	30"	30"
1672G	33"	33"
1674	35 1/4"	36"
1674J	39"	39"
1676	41 1/4"	42"
1676K	45"	45"
1678	47 1/4"	48"



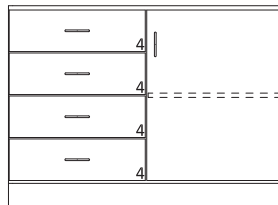
Cat. No.	Group A	Group B
1669	24"	24"
1671	27"	27"
1673	30"	30"
1675	35 1/4"	36"
1677	41 1/4"	42"
1679	47 1/4"	48"



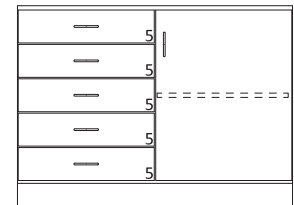
Cat. No.	Group A	Group B
1680	24"	24"
1682	27"	27"
1684	30"	30"
1684G	33"	33"
1686	35 1/4"	36"
1686J	39"	39"
1688	41 1/4"	42"
1688K	45"	45"
1690	47 1/4"	48"



Cat. No.	Group A	Group B
1681	24"	24"
1683	27"	27"
1685	30"	30"
1687	35 1/4"	36"
1689	41 1/4"	42"
1691	47 1/4"	48"

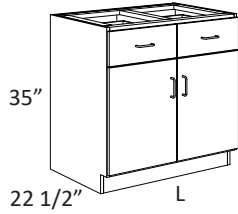


Cat. No.	Group A	Group B
1692	24"	24"
1694	27"	27"
1696	30"	30"
1696G	33"	33"
1698	35 1/4"	36"
1698J	39"	39"
1700	41 1/4"	42"
1700K	45"	45"
1702	47 1/4"	48"



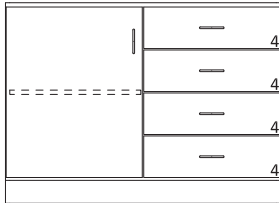
Cat. No.	Group A	Group B
1693	24"	24"
1695	27"	27"
1697	30"	30"
1699	35 1/4"	36"
1701	41 1/4"	42"
1703	47 1/4"	48"

35" High Wood Base Cabinets

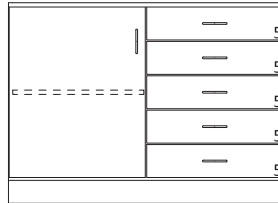


- 35" High base cabinets are 22 1/2" Deep.
- Lengths are as shown.
- All door cabinets have 1 adjustable shelf
- Drawer height is denoted by "Drawer Mark" on cabinet. See table on pages 10-13 for reference. If the drawer height is a custom size, the dimension will be listed on the drawer.

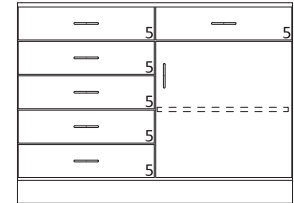
Combination Cabinets



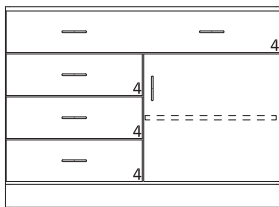
Cat. No.	Group A	Group B
1704	24"	24"
1706	27"	27"
1708	30"	30"
1708G	33"	33"
1710	35 1/4"	36"
1710J	39"	39"
1712	41 1/4"	42"
1712K	45"	45"
1714	47 1/4"	48"



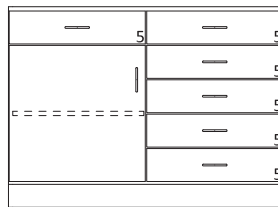
Cat. No.	Group A	Group B
1705	24"	24"
1707	27"	27"
1709	30"	30"
1711	35 1/4"	36"
1713	41 1/4"	42"
1715	47 1/4"	48"



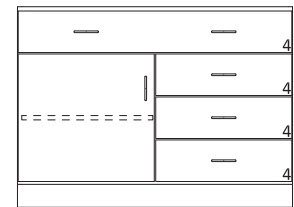
Cat. No.	Group A	Group B
1719	24"	24"
1721	27"	27"
1723	30"	30"
1725	35 1/4"	36"
1727	41 1/4"	42"
1729	47 1/4"	48"



Cat. No.	Group A	Group B
1720	24"	24"
1722	27"	27"
1724	30"	30"
1724G	33"	33"
1726	35 1/4"	36"
1726J	39"	39"
1728	41 1/4"	42"
1728K	45"	45"
1730	47 1/4"	48"

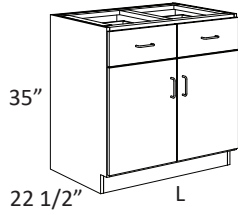


Cat. No.	Group A	Group B
1731	24"	24"
1733	27"	27"
1735	30"	30"
1737	35 1/4"	36"
1739	41 1/4"	42"
1741	47 1/4"	48"



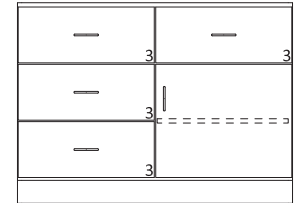
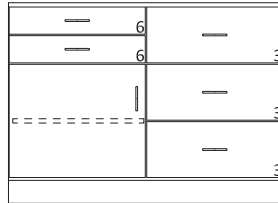
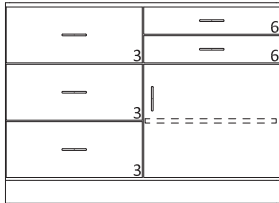
Cat. No.	Group A	Group B
1732	24"	24"
1734	27"	27"
1736	30"	30"
1736G	33"	33"
1738	35 1/4"	36"
1738J	39"	39"
1740	41 1/4"	42"
1740K	45"	45"
1742	47 1/4"	48"

35" High Wood Base Cabinets



- 35" High base cabinets are 22 1/2" Deep.
- Lengths are as shown.
- All door cabinets have 1 adjustable shelf
- Drawer height is denoted by "Drawer Mark" on cabinet. See table on pages 10-13 for reference. If the drawer height is a custom size, the dimension will be listed on the drawer.

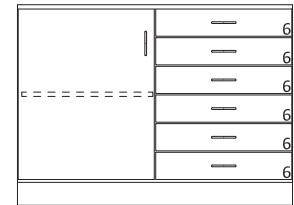
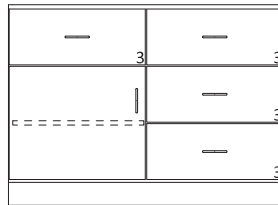
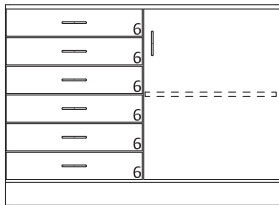
Combination Cabinets



Cat. No.	Group A	Group B
1744	24"	24"
1746	27"	27"
1748	30"	30"
1750	35 1/4"	36"
1752	41 1/4"	42"
1754	47 1/4"	48"

Cat. No.	Group A	Group B
1757	24"	24"
1759	27"	27"
1761	30"	30"
1763	35 1/4"	36"
1765	41 1/4"	42"
1767	47 1/4"	48"

Cat. No.	Group A	Group B
1768	24"	24"
1770	27"	27"
1772	30"	30"
1772G	33"	33"
1774	35 1/4"	36"
1774J	39"	39"
1776	41 1/4"	42"
1776K	45"	45"
1778	47 1/4"	48"

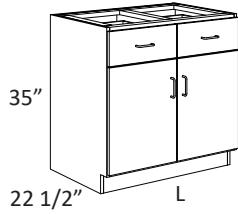


Cat. No.	Group A	Group B
1769	24"	24"
1771	27"	27"
1773	30"	30"
1775	35 1/4"	36"
1777	41 1/4"	42"
1779	47 1/4"	48"

Cat. No.	Group A	Group B
1780	24"	24"
1782	27"	27"
1784	30"	30"
1784G	33"	33"
1786	35 1/4"	36"
1786J	39"	39"
1788	41 1/4"	42"
1788K	45"	45"
1790	47 1/4"	48"

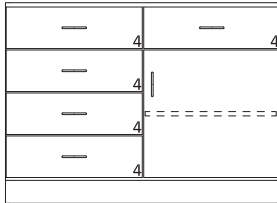
Cat. No.	Group A	Group B
1781	24"	24"
1783	27"	27"
1785	30"	30"
1787	35 1/4"	36"
1789	41 1/4"	42"
1791	47 1/4"	48"

35" High Wood Base Cabinets

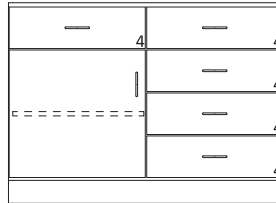


- 35" High base cabinets are 22 1/2" Deep.
- Lengths are as shown.
- All door cabinets have 1 adjustable shelf
- Drawer height is denoted by "Drawer Mark" on cabinet. See table on pages 10-13 for reference. If the drawer height is a custom size, the dimension will be listed on the drawer.

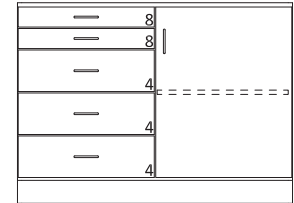
Combination Cabinets



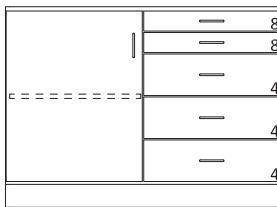
Cat. No.	Group A	Group B
1792	24"	24"
1794	27"	27"
1796	30"	30"
1797	33"	33"
1798	35 1/4"	36"
1799	39"	39"
1800	41 1/4"	42"
1801	45"	45"
1802	47 1/4"	48"



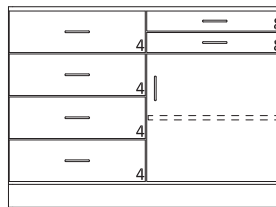
Cat. No.	Group A	Group B
1804	24"	24"
1806	27"	27"
1808	30"	30"
1809	33"	33"
1810	35 1/4"	36"
1811	39"	39"
1812	41 1/4"	42"
1813	45"	45"
1814	47 1/4"	48"



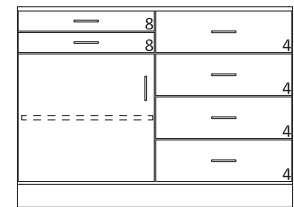
Cat. No.	Group A	Group B
1816	24"	24"
1818	27"	27"
1820	30"	30"
1822	35 1/4"	36"
1824	41 1/4"	42"
1826	47 1/4"	48"



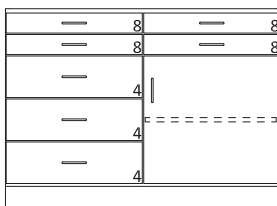
Cat. No.	Group A	Group B
1828	24"	24"
1830	27"	27"
1832	30"	30"
1834	35 1/4"	36"
1836	41 1/4"	42"
1838	47 1/4"	48"



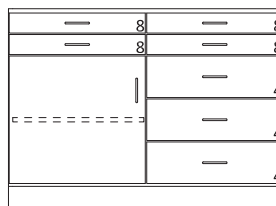
Cat. No.	Group A	Group B
1840	24"	24"
1842	27"	27"
1844	30"	30"
1846	35 1/4"	36"
1848	41 1/4"	42"
1850	47 1/4"	48"



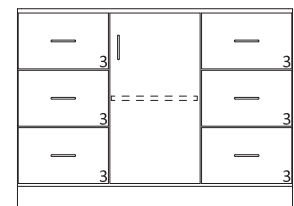
Cat. No.	Group A	Group B
1852	24"	24"
1854	27"	27"
1856	30"	30"
1858	35 1/4"	36"
1860	41 1/4"	42"
1862	47 1/4"	48"



Cat. No.	Group A	Group B
1864	24"	24"
1866	27"	27"
1868	30"	30"
1870	35 1/4"	36"
1872	41 1/4"	42"
1874	47 1/4"	48"

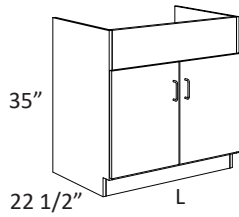


Cat. No.	Group A	Group B
1876	24"	24"
1878	27"	27"
1880	30"	30"
1882	35 1/4"	36"
1884	41 1/4"	42"
1886	47 1/4"	48"



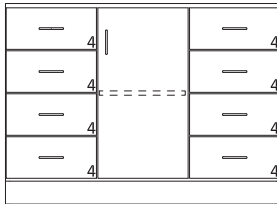
Cat. No.	Group A	Group B
1888	35 1/4"	36"
1890	41 1/4"	42"
1892	47 1/4"	48"

35" High Wood Base Cabinets



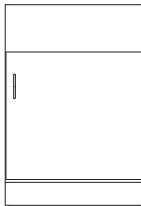
- 35" High base cabinets are 22 1/2" Deep.
- Lengths are as shown.
- All door cabinets have 1 adjustable shelf
- Drawer height is denoted by "Drawer Mark" on cabinet. See table on pages 10-13 for reference. If the drawer height is a custom size, the dimension will be listed on the drawer.

Combination Cabinets

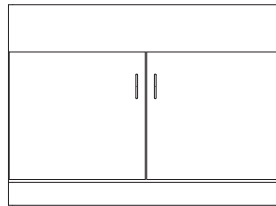


Cat. No.	Group A	Group B
1894	35 1/4"	36"
1896	41 1/4"	42"
1898	47 1/4"	48"

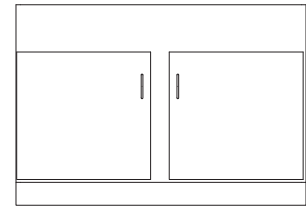
Sink Cabinets



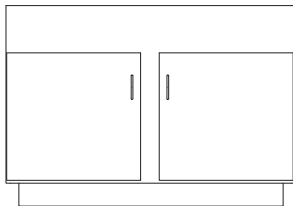
Cat. No.	Group A	Group B
2330	12 3/8"	12"
2332	15 5/16"	15"
2334	18"	18"
2336	21"	21"
2338	24"	24"



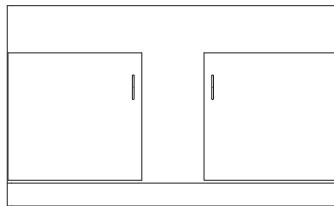
Cat. No.	Group A	Group B
2352	24"	24"
2354	27"	27"
2356	30"	30"
2357	33"	33"
2358	35 1/4"	36"
2359	39"	39"
2360	41 1/4"	42"
2361	45"	45"
2362	47 1/4"	48"



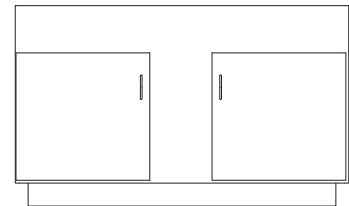
Cat. No.	Group A	Group B
2408	50 5/8"	50"



Cat. No.	Group A	Group B
2411	50 5/8"	50"

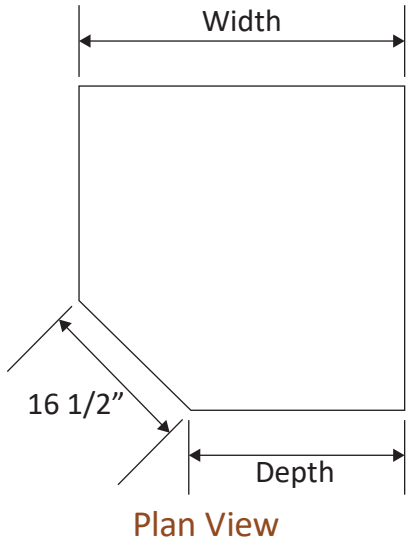


Cat. No.	Group A	Group B
2412	58 1/4"	58"

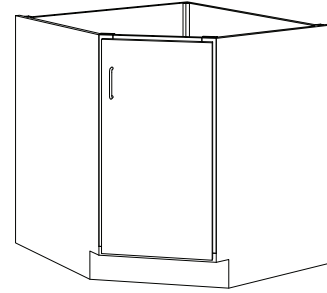


Cat. No.	Group A	Group B
2413	58 1/4"	58"

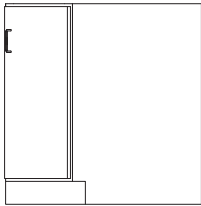
35" High Wood Base Cabinets



- 35" High base cabinets are 22 1/2" Deep.
- Lengths are as shown.
- All door cabinets have 1 adjustable shelf
- Drawer height is denoted by "Drawer Mark" on cabinet. See table on pages 10-13 for reference. If the drawer height is a custom size, the dimension will be listed on the drawer.

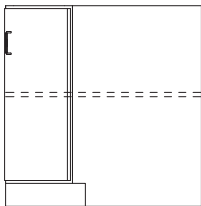


Corner Sink Cabinet



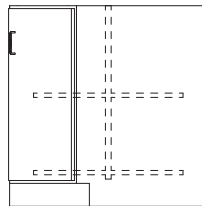
Cat. No.	Width	Depth
2414	34 1/4"	34 1/4"

Corner Cabinet



One adjustable wood shelf

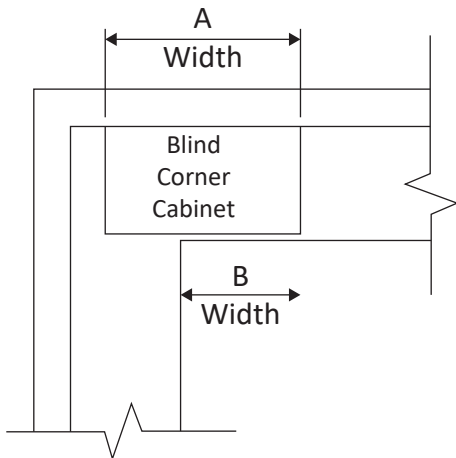
Cat. No.	Width	Depth
3872	34 1/4"	22 1/2"
3873	27 1/2"	16"



Two revolving metal shelves

Cat. No.	Width	Depth
3878	34 1/4"	22 1/2"

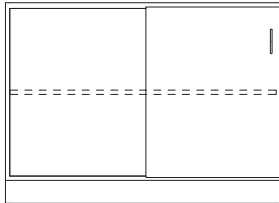
35" High Wood Base Cabinets



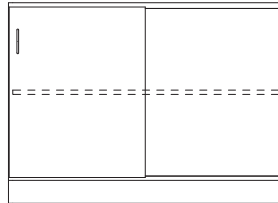
- 35" High base cabinets are 22 1/2" Deep.
- Lengths are as shown.
- All door cabinets have 1 adjustable shelf
- Drawer height is denoted by "Drawer Mark" on cabinet. See table on pages 10-13 for reference. If the drawer height is a custom size, the dimension will be listed on the drawer.

(Group A) A Width	(Group B) A Width	B Width
35 1/4"	36"	18 1/2"
41 1/4"	42"	21 1/2"
47 1/4"	48"	24 1/2"

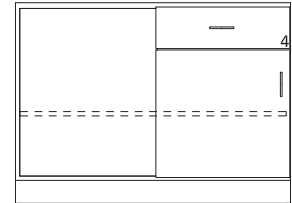
Blind Corner Cabinets



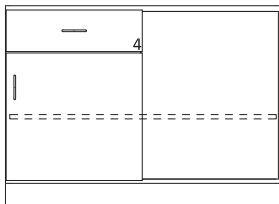
Cat. No.	Group A	Group B
3800P	35 1/4"	36"
3802P	41 1/4"	42"
3804P	47 1/4"	48"



Cat. No.	Group A	Group B
3818P	35 1/4"	36"
3820P	41 1/4"	42"
3822P	47 1/4"	48"

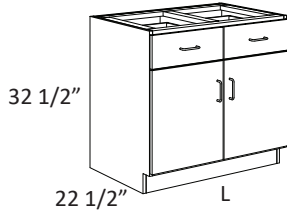


Cat. No.	Group A	Group B
3836P	35 1/4"	36"
3838P	41 1/4"	42"
3840P	47 1/4"	48"



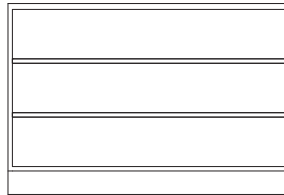
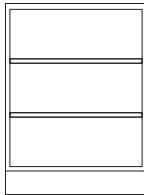
Cat. No.	Group A	Group B
3854P	35 1/4"	36"
3856P	41 1/4"	42"
3858P	47 1/4"	48"

32 1/2" High Wood Base Cabinets



- 32 1/2" High base cabinets are 22 1/2" Deep.
- Lengths are as shown.
- All door cabinets have 1 adjustable shelf
- Drawer height is denoted by "Drawer Mark" on cabinet. See table on pages 10-13 for reference. If the drawer height is a custom size, the dimension will be listed on the drawer.

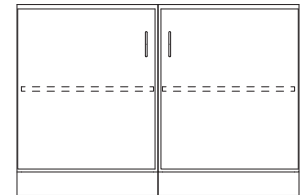
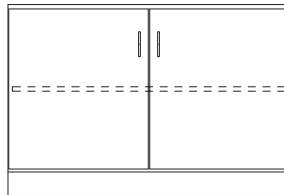
Open Cabinets



Cat. No.	Group A	Group B
3597	12 3/8"	12"
3598	15 5/16"	15"
3599	18"	18"
3600	21"	21"
3601	24"	24"

Cat. No.	Group A	Group B
3680A	27"	27"
3680B	30"	30"
3680G	33"	33"
3680C	35 1/4"	36"
3680J	39"	39"
3680D	41 1/4"	42"
3680K	45"	45"
3680E	47 1/4"	48"

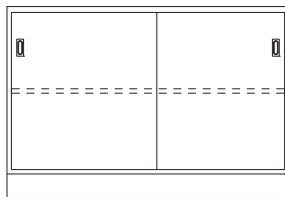
Door Cabinets



Cat. No.	Group A	Group B
3603	12 3/8"	12"
3604	15 5/16"	15"
3605	18"	18"
3606	21"	21"
3607	24"	24"

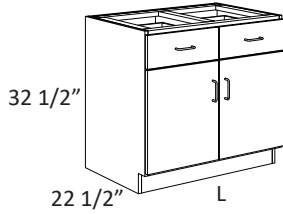
Cat. No.	Group A	Group B
3681A	24"	24"
3681B	27"	27"
3681C	30"	30"
3681G	33"	33"
3681D	35 1/4"	36"
3681J	39"	39"
3681E	41 1/4"	42"
3681K	45"	45"
3681F	47 1/4"	48"

Cat. No.	Group A	Group B
3682A	24"	24"
3682B	27"	27"
3682C	30"	30"
3682D	35 1/4"	36"
3682E	41 1/4"	42"
3682F	47 1/4"	48"



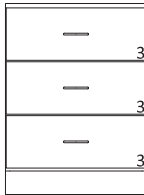
Cat. No.	Group A	Group B
3683C	30"	30"
3683D	35 1/4"	36"
3683E	41 1/4"	42"
3683F	47 1/4"	48"

32 1/2" High Wood Base Cabinets

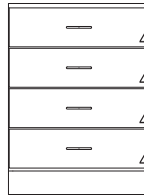


- 32 1/2" High base cabinets are 22 1/2" Deep.
- Lengths are as shown.
- All door cabinets have 1 adjustable shelf
- Drawer height is denoted by "Drawer Mark" on cabinet. See table on pages 10-13 for reference. If the drawer height is a custom size, the dimension will be listed on the drawer.

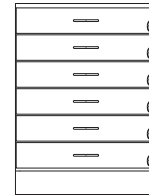
Drawer Cabinets



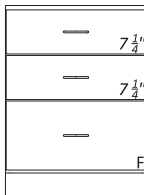
Cat. No.	Group A	Group B
3614	12 3/8"	12"
3615	15 5/16"	15"
3616	18"	18"
3617	21"	21"
3618	24"	24"



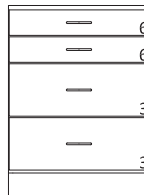
Cat. No.	Group A	Group B
3632	12 3/8"	12"
3633	15 5/16"	15"
3634	18"	18"
3635	21"	21"
3636	24"	24"



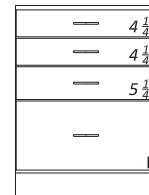
Cat. No.	Group A	Group B
3641	18"	18"
3642	21"	21"
3643	24"	24"



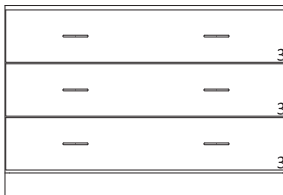
Cat. No.	Group A	Group B
3644	18"	18"
3645	21"	21"
3646	24"	24"



Cat. No.	Group A	Group B
3647	18"	18"
3648	21"	21"
3649	24"	24"



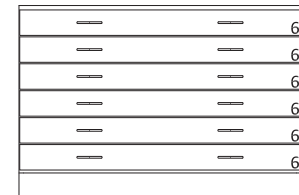
Cat. No.	Group A	Group B
3650	18"	18"
3651	21"	21"
3652	24"	24"



Cat. No.	Group A	Group B
3722A	24"	24"
3722B	27"	27"
3722C	30"	30"
3722G	33"	33"
3722D	35 1/4"	36"
3722J	39"	39"
3722E	41 1/4"	42"
3722K	45"	45"
3722F	47 1/4"	48"

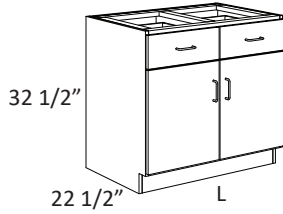


Cat. No.	Group A	Group B
3723A	24"	24"
3723B	27"	27"
3723C	30"	30"
3723G	33"	33"
3723D	35 1/4"	36"
3723J	39"	39"
3723E	41 1/4"	42"
3723K	45"	45"
3723F	47 1/4"	48"



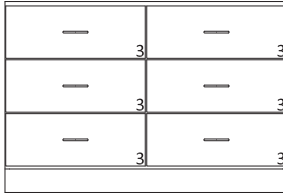
Cat. No.	Group A	Group B
3724A	24"	24"
3724B	27"	27"
3724C	30"	30"
3724D	35 1/4"	36"
3724E	41 1/4"	42"
3724F	47 1/4"	48"

32 1/2" High Wood Base Cabinets

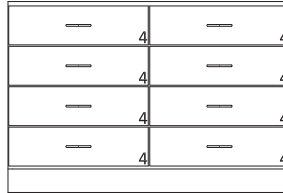


- 32 1/2" High base cabinets are 22 1/2" Deep.
- Lengths are as shown.
- All door cabinets have 1 adjustable shelf
- Drawer height is denoted by "Drawer Mark" on cabinet. See table on pages 10-13 for reference. If the drawer height is a custom size, the dimension will be listed on the drawer.

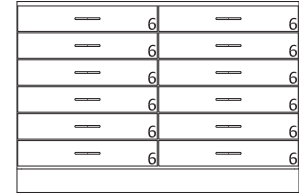
Drawer Cabinets



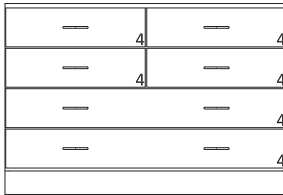
Cat. No.	Group A	Group B
3725A	24"	24"
3725B	27"	27"
3725C	30"	30"
3725D	35 1/4"	36"
3725E	41 1/4"	42"
3725F	47 1/4"	48"



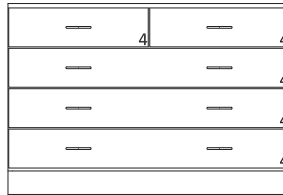
Cat. No.	Group A	Group B
3726A	24"	24"
3726B	27"	27"
3726C	30"	30"
3726D	35 1/4"	36"
3726E	41 1/4"	42"
3726F	47 1/4"	48"



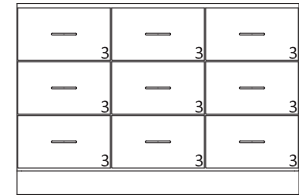
Cat. No.	Group A	Group B
3729A	24"	24"
3729B	27"	27"
3729C	30"	30"
3729D	35 1/4"	36"
3729E	41 1/4"	42"
3729F	47 1/4"	48"



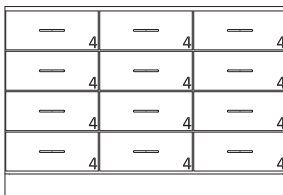
Cat. No.	Group A	Group B
3730A	24"	24"
3730B	27"	27"
3730C	30"	30"
3730D	35 1/4"	36"
3730E	41 1/4"	42"
3730F	47 1/4"	48"



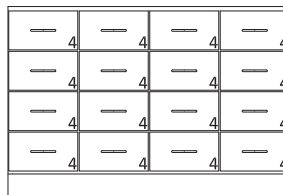
Cat. No.	Group A	Group B
3731A	24"	24"
3731B	27"	27"
3731C	30"	30"
3731D	35 1/4"	36"
3731E	41 1/4"	42"
3731F	47 1/4"	48"



Cat. No.	Group A	Group B
3735D	35 1/4"	36"
3735E	41 1/4"	42"
3735F	47 1/4"	48"

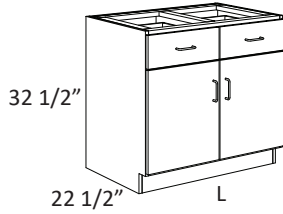


Cat. No.	Group A	Group B
3736D	35 1/4"	36"
3736E	41 1/4"	42"
3736F	47 1/4"	48"



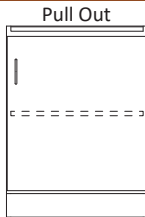
Cat. No.	Group A	Group B
3737F	47 1/4"	48"

32 1/2" High Wood Base Cabinets

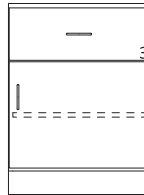


- 32 1/2" High base cabinets are 22 1/2" Deep.
- Lengths are as shown.
- All door cabinets have 1 adjustable shelf
- Drawer height is denoted by "Drawer Mark" on cabinet. See table on pages 10-13 for reference. If the drawer height is a custom size, the dimension will be listed on the drawer.

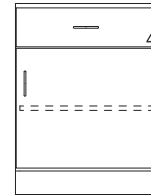
Combination Cabinets



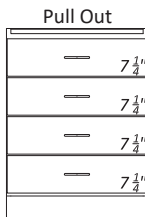
Cat. No.	Group A	Group B
3608	18"	18"
3609	21"	21"
3610	24"	24"



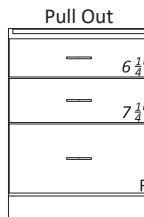
Cat. No.	Group A	Group B
3611	18"	18"
3612	21"	21"
3613	24"	24"



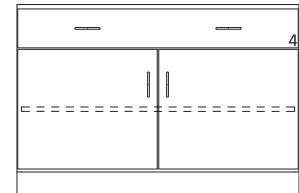
Cat. No.	Group A	Group B
3622A	12 3/8"	12"
3622B	15 5/16"	15"
3622	18"	18"
3623	21"	21"
3624	24"	24"



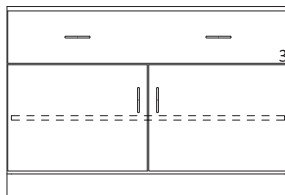
Cat. No.	Group A	Group B
3637	18"	18"
3638	21"	21"
3639	24"	24"



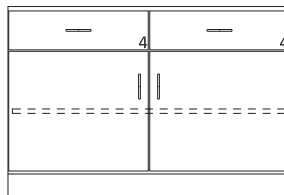
Cat. No.	Group A	Group B
3656	18"	18"
3657	21"	21"
3658	24"	24"



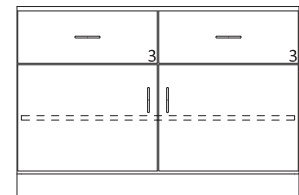
Cat. No.	Group A	Group B
3685A	24"	24"
3685B	27"	27"
3685C	30"	30"
3685G	33"	33"
3685D	35 1/4"	36"
3685J	39"	39"
3685E	41 1/4"	42"
3685K	45"	45"
3685F	47 1/4"	48"



Cat. No.	Group A	Group B
3686A	24"	24"
3686B	27"	27"
3686C	30"	30"
3686G	33"	33"
3686D	35 1/4"	36"
3686J	39"	39"
3686E	41 1/4"	42"
3686K	45"	45"
3686F	47 1/4"	48"

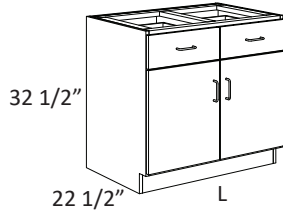


Cat. No.	Group A	Group B
3687A	24"	24"
3687B	27"	27"
3687C	30"	30"
3687G	33"	33"
3687D	35 1/4"	36"
3687J	39"	39"
3687E	41 1/4"	42"
3687K	45"	45"
3687F	47 1/4"	48"



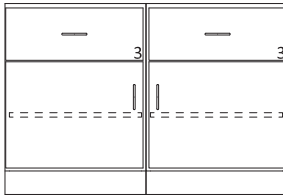
Cat. No.	Group A	Group B
3688A	24"	24"
3688B	27"	27"
3688C	30"	30"
3688G	33"	33"
3688D	35 1/4"	36"
3688J	39"	39"
3688E	41 1/4"	42"
3688K	45"	45"
3688F	47 1/4"	48"

32 1/2" High Wood Base Cabinets

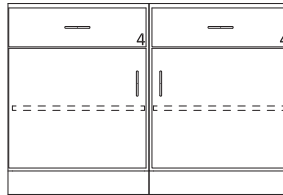


- 32 1/2" High base cabinets are 22 1/2" Deep.
- Lengths are as shown.
- All door cabinets have 1 adjustable shelf
- Drawer height is denoted by "Drawer Mark" on cabinet. See table on pages 10-13 for reference. If the drawer height is a custom size, the dimension will be listed on the drawer.

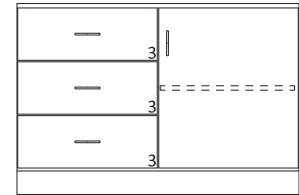
Combination Cabinets



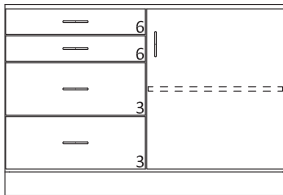
Cat. No.	Group A	Group B
3693A	24"	24"
3693B	27"	27"
3693C	30"	30"
3693D	35 1/4"	36"
3693E	41 1/4"	42"
3693F	47 1/4"	48"



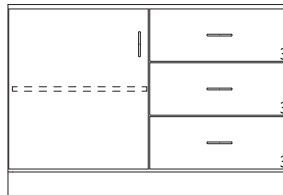
Cat. No.	Group A	Group B
3694A	24"	24"
3694B	27"	27"
3694C	30"	30"
3694D	35 1/4"	36"
3694E	41 1/4"	42"
3694F	47 1/4"	48"



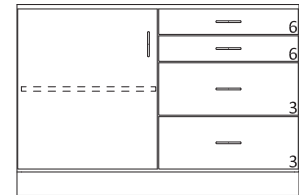
Cat. No.	Group A	Group B
3695A	24"	24"
3695B	27"	27"
3695C	30"	30"
3695G	33"	33"
3695D	35 1/4"	36"
3695J	39"	39"
3695E	41 1/4"	42"
3695K	45"	45"
3695F	47 1/4"	48"



Cat. No.	Group A	Group B
3696A	24"	24"
3696B	27"	27"
3696C	30"	30"
3696D	35 1/4"	36"
3696E	41 1/4"	42"
3696F	47 1/4"	48"

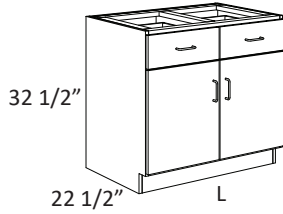


Cat. No.	Group A	Group B
3697A	24"	24"
3697B	27"	27"
3697C	30"	30"
3697G	33"	33"
3697D	35 1/4"	36"
3697J	39"	39"
3697E	41 1/4"	42"
3697K	45"	45"
3697F	47 1/4"	48"



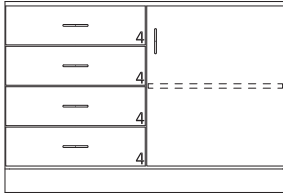
Cat. No.	Group A	Group B
3698A	24"	24"
3698B	27"	27"
3698C	30"	30"
3698D	35 1/4"	36"
3698E	41 1/4"	42"
3698F	47 1/4"	48"

32 1/2" High Wood Base Cabinets

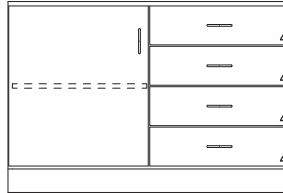


- 32 1/2" High base cabinets are 22 1/2" Deep.
- Lengths are as shown.
- All door cabinets have 1 adjustable shelf
- Drawer height is denoted by "Drawer Mark" on cabinet. See table on pages 10-13 for reference. If the drawer height is a custom size, the dimension will be listed on the drawer.

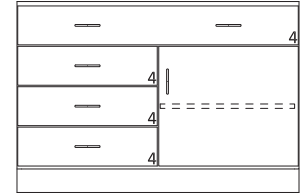
Combination Cabinets



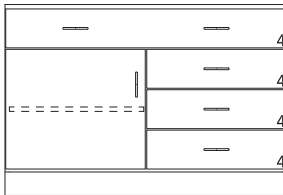
Cat. No.	Group A	Group B
3699A	24"	24"
3699B	27"	27"
3699C	30"	30"
3699G	33"	33"
3699D	35 1/4"	36"
3699J	39"	39"
3699E	41 1/4"	42"
3699K	45"	45"
3699F	47 1/4"	48"



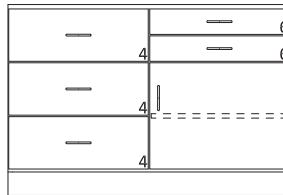
Cat. No.	Group A	Group B
3700A	24"	24"
3700B	27"	27"
3700C	30"	30"
3700G	33"	33"
3700D	35 1/4"	36"
3700J	39"	39"
3700E	41 1/4"	42"
3700K	45"	45"
3700F	47 1/4"	48"



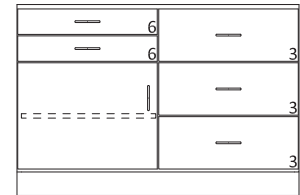
Cat. No.	Group A	Group B
3702A	24"	24"
3702B	27"	27"
3702C	30"	30"
3702G	33"	33"
3702D	35 1/4"	36"
3702J	39"	39"
3702E	41 1/4"	42"
3702K	45"	45"
3702F	47 1/4"	48"



Cat. No.	Group A	Group B
3703A	24"	24"
3703B	27"	27"
3703C	30"	30"
3703G	33"	33"
3703D	35 1/4"	36"
3703J	39"	39"
3703E	41 1/4"	42"
3703K	45"	45"
3703F	47 1/4"	48"

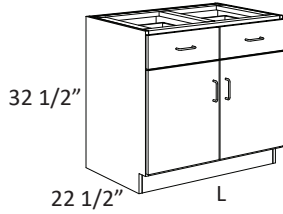


Cat. No.	Group A	Group B
3704A	24"	24"
3704B	27"	27"
3704C	30"	30"
3704D	35 1/4"	36"
3704E	41 1/4"	42"
3704F	47 1/4"	48"



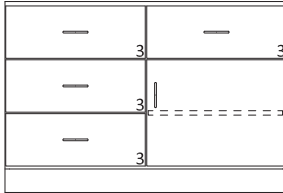
Cat. No.	Group A	Group B
3705A	24"	24"
3705B	27"	27"
3705C	30"	30"
3705D	35 1/4"	36"
3705E	41 1/4"	42"
3705F	47 1/4"	48"

32 1/2" High Wood Base Cabinets

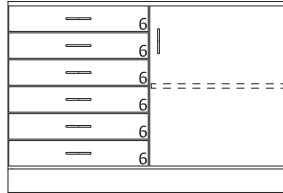


- 32 1/2" High base cabinets are 22 1/2" Deep.
- Lengths are as shown.
- All door cabinets have 1 adjustable shelf
- Drawer height is denoted by "Drawer Mark" on cabinet. See table on pages 10-13 for reference. If the drawer height is a custom size, the dimension will be listed on the drawer.

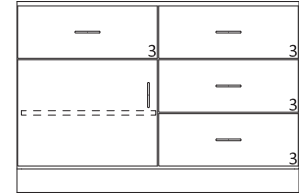
Combination Cabinets



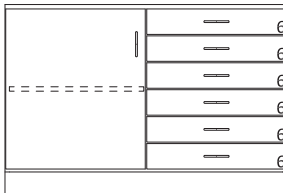
Cat. No.	Group A	Group B
3707A	24"	24"
3707B	27"	27"
3707C	30"	30"
3707G	33"	33"
3707D	35 1/4"	36"
3707J	39"	39"
3707E	41 1/4"	42"
3707K	45"	45"
3707F	47 1/4"	48"



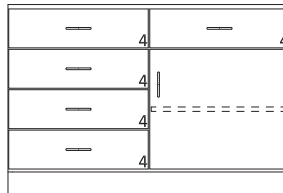
Cat. No.	Group A	Group B
3708A	24"	24"
3708B	27"	27"
3708C	30"	30"
3708D	35 1/4"	36"
3708E	41 1/4"	42"
3708F	47 1/4"	48"



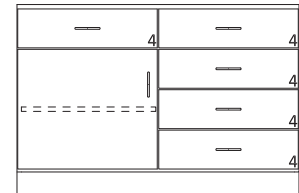
Cat. No.	Group A	Group B
3709A	24"	24"
3709B	27"	27"
3709C	30"	30"
3709G	33"	33"
3709D	35 1/4"	36"
3709J	39"	39"
3709E	41 1/4"	42"
3709K	45"	45"
3709F	47 1/4"	48"



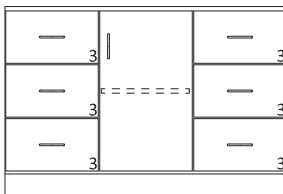
Cat. No.	Group A	Group B
3710A	24"	24"
3710B	27"	27"
3710C	30"	30"
3710D	35 1/4"	36"
3710E	41 1/4"	42"
3710F	47 1/4"	48"



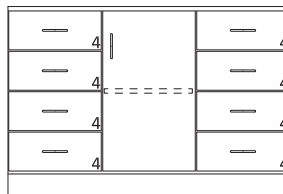
Cat. No.	Group A	Group B
3711A	24"	24"
3711B	27"	27"
3711C	30"	30"
3711G	33"	33"
3711D	35 1/4"	36"
3711J	39"	39"
3711E	41 1/4"	42"
3711K	45"	45"
3711F	47 1/4"	48"



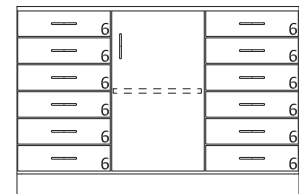
Cat. No.	Group A	Group B
3712A	24"	24"
3712B	27"	27"
3712C	30"	30"
3712G	33"	33"
3712D	35 1/4"	36"
3712J	39"	39"
3712E	41 1/4"	42"
3712K	45"	45"
3712F	47 1/4"	48"



Cat. No.	Group A	Group B
3713D	35 1/4"	36"
3713E	41 1/4"	42"
3713F	47 1/4"	48"

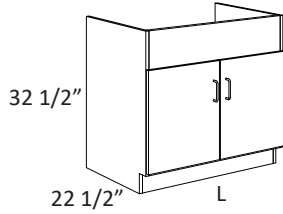


Cat. No.	Group A	Group B
3714D	35 1/4"	36"
3714E	41 1/4"	42"
3714F	47 1/4"	48"



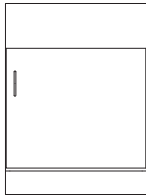
Cat. No.	Group A	Group B
3717D	35 1/4"	36"
3717E	41 1/4"	42"
3717F	47 1/4"	48"

32 1/2" High Wood Base Cabinets

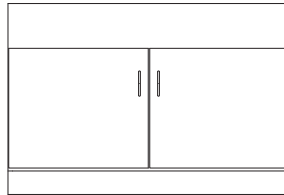


- 32 1/2" High base cabinets are 22 1/2" Deep.
- Lengths are as shown.
- All door cabinets have 1 adjustable shelf
- Drawer height is denoted by "Drawer Mark" on cabinet. See table on pages 10-13 for reference. If the drawer height is a custom size, the dimension will be listed on the drawer.

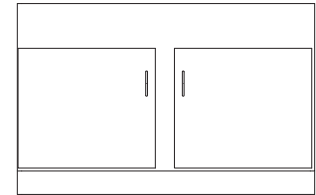
Sink Cabinets



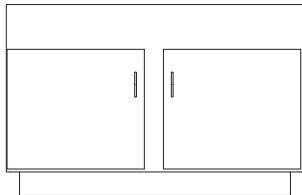
Cat. No.	Group A	Group B
3753A	12 3/8"	12"
3753B	15 5/16"	15"
3753C	18"	18"
3753D	21"	21"
3753E	24"	24"



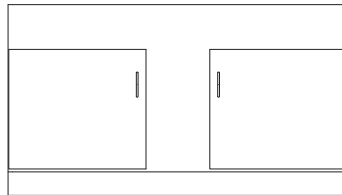
Cat. No.	Group A	Group B
3755A	24"	24"
3755B	27"	27"
3755C	30"	30"
3755G	33"	33"
3755D	35 1/4"	36"
3755J	39"	39"
3755E	41 1/4"	42"
3755K	45"	45"
3755F	47 1/4"	48"



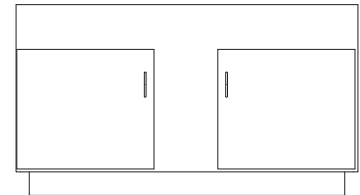
Cat. No.	Group A	Group B
3760	50 5/8"	50"



Cat. No.	Length
3762	58 1/4"

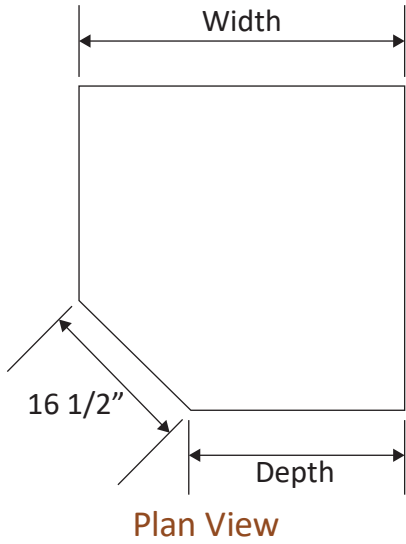


Cat. No.	Length
3763	58 1/4"

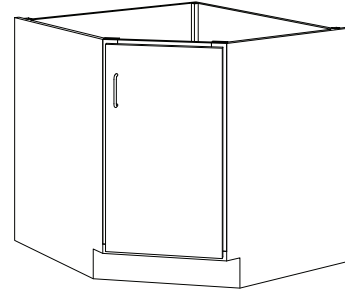


Cat. No.	Length
3764	58 1/4"

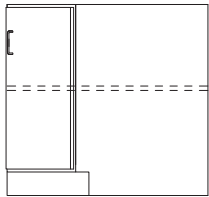
32 1/2" High Wood Base Cabinets



- 32 1/2" High base cabinets are 22 1/2" Deep.
- Lengths are as shown.
- All door cabinets have 1 adjustable shelf
- Drawer height is denoted by "Drawer Mark" on cabinet. See table on pages 10-13 for reference. If the drawer height is a custom size, the dimension will be listed on the drawer.

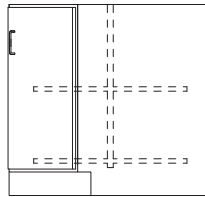


Corner Cabinet



One adjustable shelf

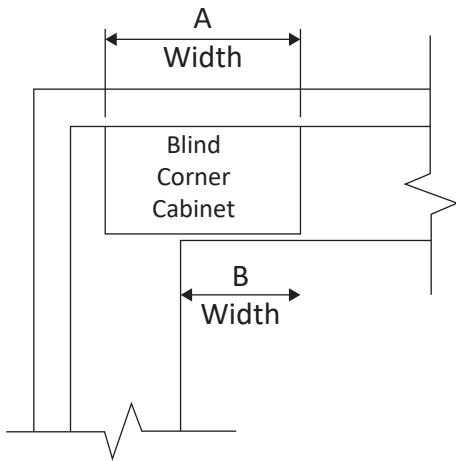
Cat. No.	Width	Depth
3794	34 1/4"	22 1/2"



Two revolving metal shelves

Cat. No.	Width	Depth
3796	34 1/4"	22 1/2"

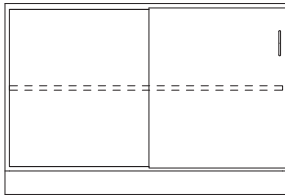
32 1/2" High Wood Base Cabinets



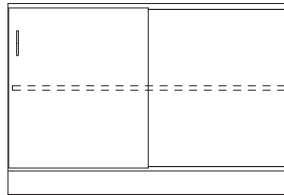
- 32 1/2" High base cabinets are 22 1/2" Deep.
- Lengths are as shown.
- All door cabinets have 1 adjustable shelf
- Drawer height is denoted by "Drawer Mark" on cabinet. See table on pages 10-13 for reference. If the drawer height is a custom size, the dimension will be listed on the drawer.

(Group A) A Width	(Group B) A Width	B Width
35 1/4"	36"	18 1/2"
41 1/4"	42"	21 1/2"
47 1/4"	48"	24 1/2"

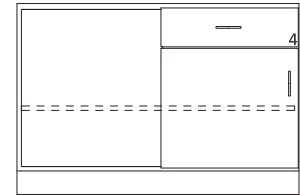
Blind Corner Cabinets



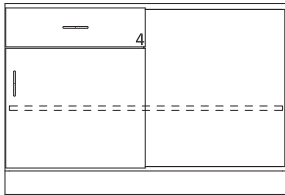
Cat. No.	Group A	Group B
3778P	35 1/4"	36"
3779P	41 1/4"	42"
3780P	47 1/4"	48"



Cat. No.	Group A	Group B
3781P	35 1/4"	36"
3782P	41 1/4"	42"
3783P	47 1/4"	48"

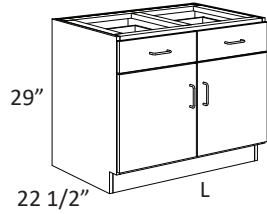


Cat. No.	Group A	Group B
3784P	35 1/4"	36"
3785P	41 1/4"	42"
3786P	47 1/4"	48"



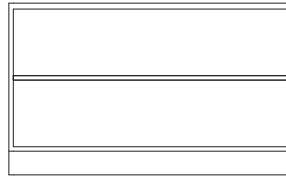
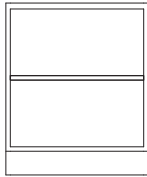
Cat. No.	Group A	Group B
3787P	35 1/4"	36"
3788P	41 1/4"	42"
3789P	47 1/4"	48"

29" High Wood Base Cabinets



- 29" High base cabinets are 22 1/2" Deep.
- Lengths are as shown.
- All door cabinets have 1 adjustable shelf
- Drawer height is denoted by "Drawer Mark" on cabinet. See table on pages 10-13 for reference. If the drawer height is a custom size, the dimension will be listed on the drawer.

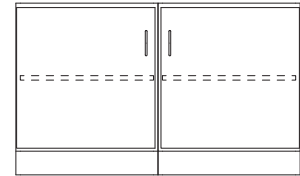
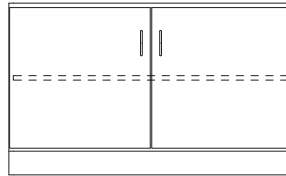
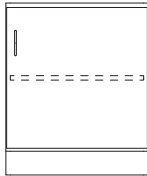
Open Cabinets



Cat. No.	Group A	Group B
2420	12 3/8"	12"
2422	15 5/16"	15"
2424	18"	18"
2426	21"	21"
2428	24"	24"

Cat. No.	Group A	Group B
2628	27"	27"
2630	30"	30"
2631	33"	33"
2632	35 1/4"	36"
2633	39"	39"
2634	41 1/4"	42"
2635	45"	45"
2636	47 1/4"	48"

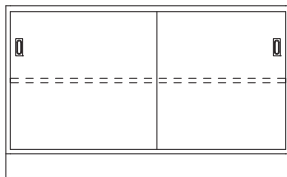
Door Cabinets



Cat. No.	Group A	Group B
2430	12 3/8"	12"
2432	15 5/16"	15"
2434	18"	18"
2436	21"	21"
2438	24"	24"

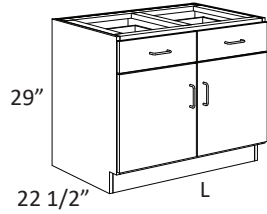
Cat. No.	Group A	Group B
2638	24"	24"
2640	27"	27"
2642	30"	30"
2643	33"	33"
2644	35 1/4"	36"
2645	39"	39"
2646	41 1/4"	42"
2647	45"	45"
2648	47 1/4"	48"

Cat. No.	Group A	Group B
2650	24"	24"
2652	27"	27"
2654	30"	30"
2656	35 1/4"	36"
2658	41 1/4"	42"
2660	47 1/4"	48"



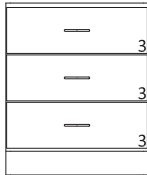
Cat. No.	Group A	Group B
2662	30"	30"
2664	35 1/4"	36"
2665	41 1/4"	42"
2666	47 1/4"	48"

29" High Wood Base Cabinets

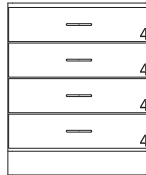


- 29" High base cabinets are 22 1/2" Deep.
- Lengths are as shown.
- All door cabinets have 1 adjustable shelf
- Drawer height is denoted by "Drawer Mark" on cabinet. See table on pages 10-13 for reference. If the drawer height is a custom size, the dimension will be listed on the drawer.

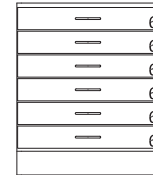
Drawer Cabinets



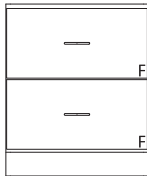
Cat. No.	Group A	Group B
2450	12 3/8"	12"
2452	15 5/16"	15"
2454	18"	18"
2456	21"	21"
2458	24"	24"



Cat. No.	Group A	Group B
2470	12 3/8"	12"
2472	15 5/16"	15"
2474	18"	18"
2476	21"	21"
2478	24"	24"



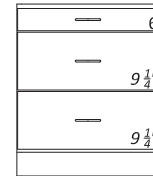
Cat. No.	Group A	Group B
2490	12 3/8"	12"
2492	15 5/16"	15"
2494	18"	18"
2496	21"	21"
2498	24"	24"



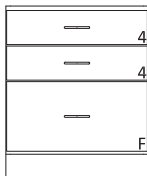
Cat. No.	Group A	Group B
2500	18"	18"
2502	21"	21"
2504	24"	24"



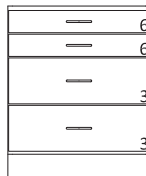
Cat. No.	Group A	Group B
2522	12 3/8"	12"
2524	15 5/16"	15"
2526	18"	18"
2528	21"	21"
2530	24"	24"



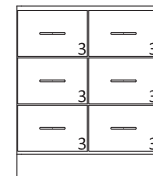
Cat. No.	Group A	Group B
2532	12 3/8"	12"
2534	15 5/16"	15"
2536	18"	18"
2538	21"	21"
2540	24"	24"



Cat. No.	Group A	Group B
2542	12 3/8"	12"
2544	15 5/16"	15"
2546	18"	18"
2548	21"	21"
2550	24"	24"

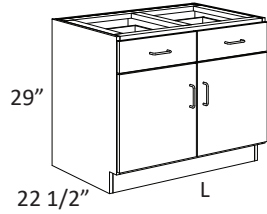


Cat. No.	Group A	Group B
2563	12 3/8"	12"
2565	15 5/16"	15"
2567	18"	18"
2569	21"	21"
2571	24"	24"



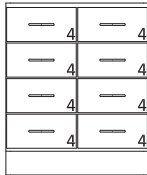
Cat. No.	Group A	Group B
2610	24"	24"

29" High Wood Base Cabinets

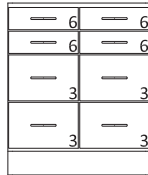


- 29" High base cabinets are 22 1/2" Deep.
- Lengths are as shown.
- All door cabinets have 1 adjustable shelf
- Drawer height is denoted by "Drawer Mark" on cabinet. See table on pages 10-13 for reference. If the drawer height is a custom size, the dimension will be listed on the drawer.

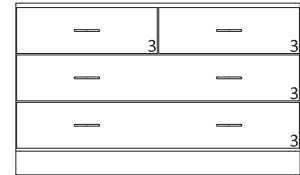
Drawer Cabinets



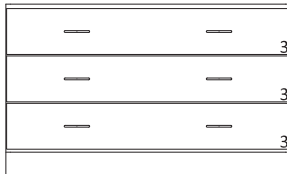
Cat. No.	Group A	Group B
2620	24"	24"



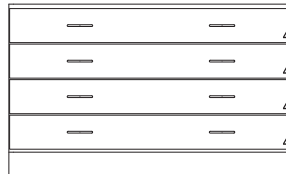
Cat. No.	Group A	Group B
2626	24"	24"



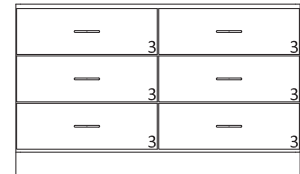
Cat. No.	Group A	Group B
2764	24"	24"
2766	27"	27"
2768	30"	30"
2769	33"	33"
2770	35 1/4"	36"
2771	39"	39"
2772	41 1/4"	42"
2773	45"	45"
2774	47 1/4"	48"



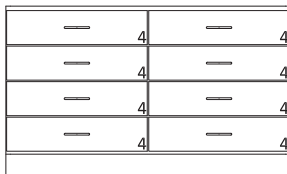
Cat. No.	Group A	Group B
2776	24"	24"
2778	27"	27"
2780	30"	30"
2781	33"	33"
2782	35 1/4"	36"
2783	39"	39"
2784	41 1/4"	42"
2785	45"	45"
2786	47 1/4"	48"



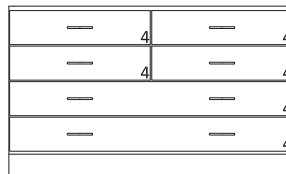
Cat. No.	Group A	Group B
2800	24"	24"
2802	27"	27"
2804	30"	30"
2805	33"	33"
2806	35 1/4"	36"
2807	39"	39"
2808	41 1/4"	42"
2809	45"	45"
2810	47 1/4"	48"



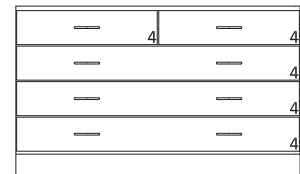
Cat. No.	Group A	Group B
2812	24"	24"
2814	27"	27"
2816	30"	30"
2818	35 1/4"	36"
2820	41 1/4"	42"
2822	47 1/4"	48"



Cat. No.	Group A	Group B
2824	24"	24"
2826	27"	27"
2828	30"	30"
2830	35 1/4"	36"
2832	41 1/4"	42"
2834	47 1/4"	48"

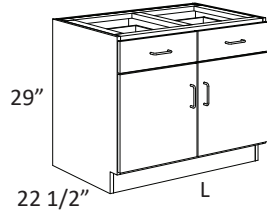


Cat. No.	Group A	Group B
2836	24"	24"
2838	27"	27"
2840	30"	30"
2842	35 1/4"	36"
2844	41 1/4"	42"
2846	47 1/4"	48"



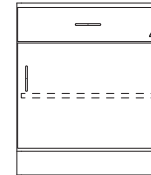
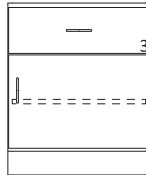
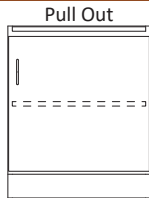
Cat. No.	Group A	Group B
2848	24"	24"
2850	27"	27"
2852	30"	30"
2854	35 1/4"	36"
2856	41 1/4"	42"
2858	47 1/4"	48"

29" High Wood Base Cabinets



- 29" High base cabinets are 22 1/2" Deep.
- Lengths are as shown.
- All door cabinets have 1 adjustable shelf
- Drawer height is denoted by "Drawer Mark" on cabinet. See table on pages 10-13 for reference. If the drawer height is a custom size, the dimension will be listed on the drawer.

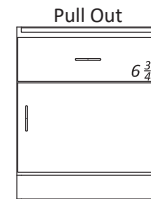
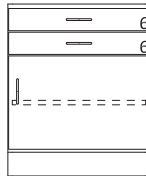
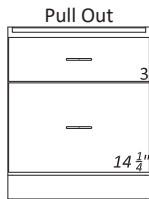
Combination Cabinets



Cat. No.	Group A	Group B
2431	12 3/8"	12"
2433	15 5/16"	15"
2435	18"	18"
2437	21"	21"
2439	24"	24"

Cat. No.	Group A	Group B
2440	12 3/8"	12"
2442	15 5/16"	15"
2444	18"	18"
2446	21"	21"
2448	24"	24"

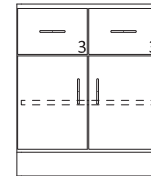
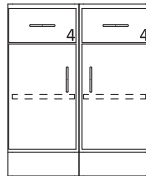
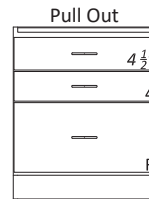
Cat. No.	Group A	Group B
2460	12 3/8"	12"
2462	15 5/16"	15"
2464	18"	18"
2466	21"	21"
2468	24"	24"



Cat. No.	Group A	Group B
2506	18"	18"
2508	21"	21"
2510	24"	24"

Cat. No.	Group A	Group B
2512	12 3/8"	12"
2514	15 5/16"	15"
2516	18"	18"
2518	21"	21"
2520	24"	24"

Cat. No.	Group A	Group B
2572	12 3/8"	12"
2574	15 5/16"	15"
2576	18"	18"
2578	21"	21"
2580	24"	24"

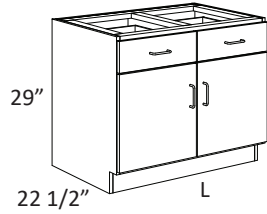


Cat. No.	Group A	Group B
2582	18"	18"
2584	21"	21"
2586	24"	24"

Cat. No.	Group A	Group B
2588	24"	24"

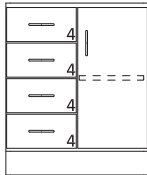
Cat. No.	Group A	Group B
2590	24"	24"

29" High Wood Base Cabinets

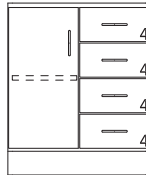


- 29" High base cabinets are 22 1/2" Deep.
- Lengths are as shown.
- All door cabinets have 1 adjustable shelf
- Drawer height is denoted by "Drawer Mark" on cabinet. See table on pages 10-13 for reference. If the drawer height is a custom size, the dimension will be listed on the drawer.

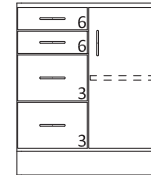
Combination Cabinets



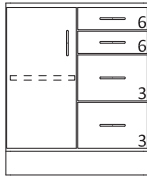
Cat. No.	Group A	Group B
2592	24"	24"



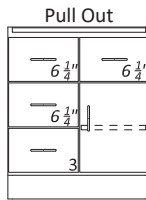
Cat. No.	Group A	Group B
2594	24"	24"



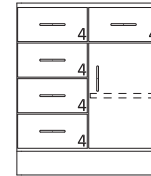
Cat. No.	Group A	Group B
2596	24"	24"



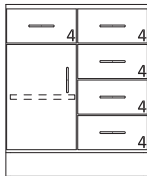
Cat. No.	Group A	Group B
2598	24"	24"



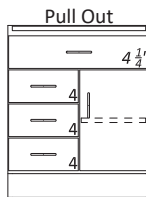
Cat. No.	Group A	Group B
2600	24"	24"



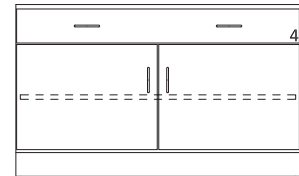
Cat. No.	Group A	Group B
2602	24"	24"



Cat. No.	Group A	Group B
2604	24"	24"

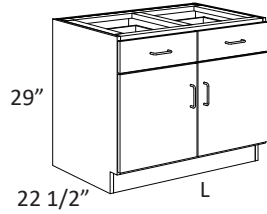


Cat. No.	Group A	Group B
2608	24"	24"



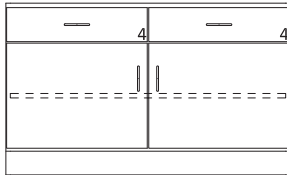
Cat. No.	Group A	Group B
2668	24"	24"
2670	27"	27"
2672	30"	30"
2673	33"	33"
2674	35 1/4"	36"
2675	39"	39"
2676	41 1/4"	42"
2677	45"	45"
2678	47 1/4"	48"

29" High Wood Base Cabinets

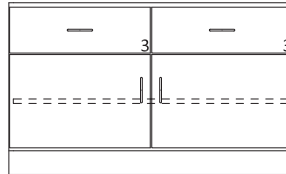


- 29" High base cabinets are 22 1/2" Deep.
- Lengths are as shown.
- All door cabinets have 1 adjustable shelf
- Drawer height is denoted by "Drawer Mark" on cabinet. See table on pages 10-13 for reference. If the drawer height is a custom size, the dimension will be listed on the drawer.

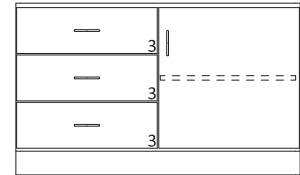
Combination Cabinets



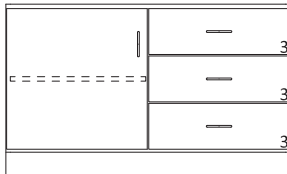
Cat. No.	Group A	Group B
2680	24"	24"
2682	27"	27"
2684	30"	30"
2685	33"	33"
2686	35 1/4"	36"
2687	39"	39"
2688	41 1/4"	42"
2689	45"	45"
2690	47 1/4"	48"



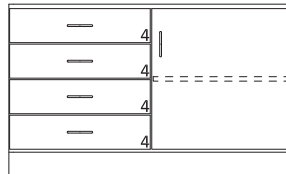
Cat. No.	Group A	Group B
2692	24"	24"
2694	27"	27"
2696	30"	30"
2697	33"	33"
2698	35 1/4"	36"
2699	39"	39"
2700	41 1/4"	42"
2701	45"	45"
2702	47 1/4"	48"



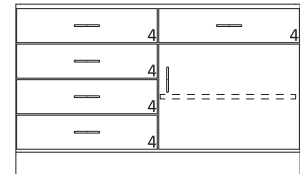
Cat. No.	Group A	Group B
2704	24"	24"
2706	27"	27"
2708	30"	30"
2709	33"	33"
2710	35 1/4"	36"
2711	39"	39"
2712	41 1/4"	42"
2713	45"	45"
2714	47 1/4"	48"



Cat. No.	Group A	Group B
2716	24"	24"
2718	27"	27"
2720	30"	30"
2721	33"	33"
2722	35 1/4"	36"
2723	39"	39"
2724	41 1/4"	42"
2725	45"	45"
2726	47 1/4"	48"

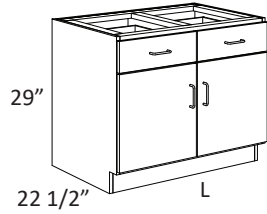


Cat. No.	Group A	Group B
2728	24"	24"
2730	27"	27"
2732	30"	30"
2732G	33"	33"
2734	35 1/4"	36"
2734J	39"	39"
2736	41 1/4"	42"
2736K	45"	45"
2738	47 1/4"	48"



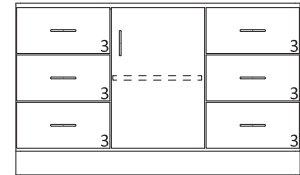
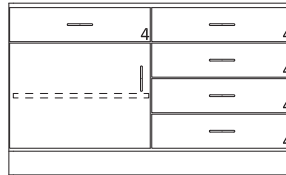
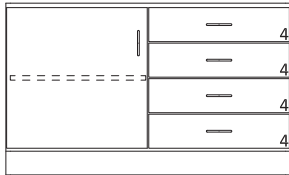
Cat. No.	Group A	Group B
2729	24"	24"
2731	27"	27"
2733	30"	30"
2733G	33"	33"
2735	35 1/4"	36"
2735J	39"	39"
2737	41 1/4"	42"
2737K	45"	45"
2739	47 1/4"	48"

29" High Wood Base Cabinets



- 29" High base cabinets are 22 1/2" Deep.
- Lengths are as shown.
- All door cabinets have 1 adjustable shelf
- Drawer height is denoted by "Drawer Mark" on cabinet. See table on pages 10-13 for reference. If the drawer height is a custom size, the dimension will be listed on the drawer.

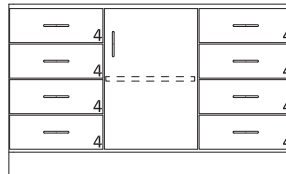
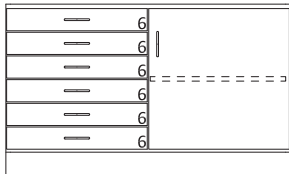
Combination Cabinets



Cat. No.	Group A	Group B
2740	24"	24"
2742	27"	27"
2744	30"	30"
2744G	33"	33"
2746	35 1/4"	36"
2746J	39"	39"
2748	41 1/4"	42"
2748K	45"	45"
2750	47 1/4"	48"

Cat. No.	Group A	Group B
2741	24"	24"
2743	27"	27"
2745	30"	30"
2745G	33"	33"
2747	35 1/4"	36"
2747J	39"	39"
2749	41 1/4"	42"
2749K	45"	45"
2751	47 1/4"	48"

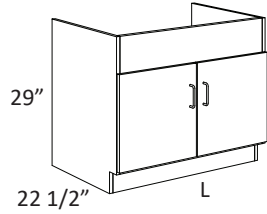
Cat. No.	Group A	Group B
2752	35 1/4"	36"
2754	41 1/4"	42"
2756	47 1/4"	48"



Cat. No.	Group A	Group B
2753	24"	24"
2755	27"	27"
2757	30"	30"
2759	35 1/4"	36"
2761	41 1/4"	42"
2763	47 1/4"	48"

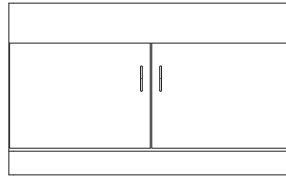
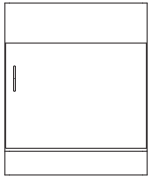
Cat. No.	Group A	Group B
2758	35 1/4"	36"
2760	41 1/4"	42"
2762	47 1/4"	48"

29" High Wood Base Cabinets



- 29" High base cabinets are 22 1/2" Deep.
- Lengths are as shown.
- All door cabinets have 1 adjustable shelf
- Drawer height is denoted by "Drawer Mark" on cabinet. See table on pages 10-13 for reference. If the drawer height is a custom size, the dimension will be listed on the drawer.

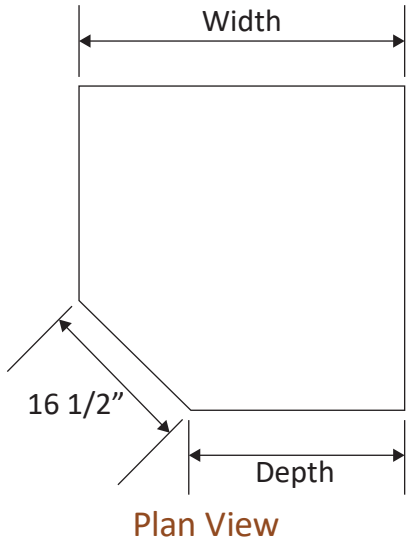
Sink Cabinets



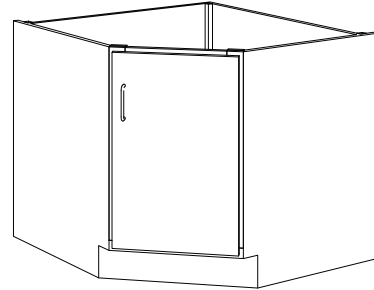
Cat. No.	Group A	Group B
2958	12 3/8"	12"
2960	15 5/16"	15"
2962	18"	18"
2964	21"	21"
2966	24"	24"

Cat. No.	Group A	Group B
2980	24"	24"
2982	27"	27"
2984	30"	30"
2985	33"	33"
2986	35 1/4"	36"
2987	39"	39"
2988	41 1/4"	42"
2989	45"	45"
2990	47 1/4"	48"

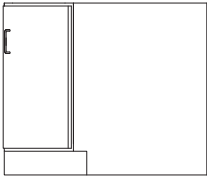
29" High Wood Base Cabinets



- 29" High base cabinets are 22 1/2" Deep.
- Lengths are as shown.
- All door cabinets have 1 adjustable shelf
- Drawer height is denoted by "Drawer Mark" on cabinet. See table on pages 10-13 for reference. If the drawer height is a custom size, the dimension will be listed on the drawer.

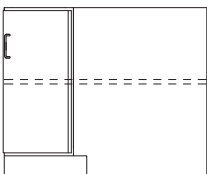


Corner Sink Cabinet



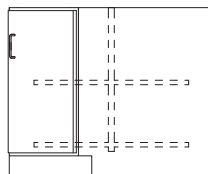
Cat. No.	Width	Depth
2415	34 1/4"	22 1/2"

Corner Cabinet



One adjustable wood shelf

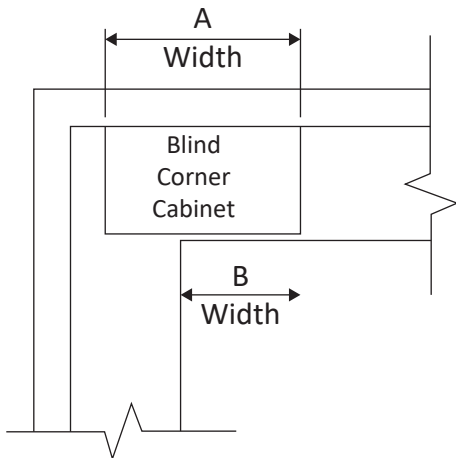
Cat. No.	Width	Depth
3874	34 1/4"	22 1/2"



Two revolving metal shelves

Cat. No.	Width	Depth
3880	34 1/4"	22 1/2"

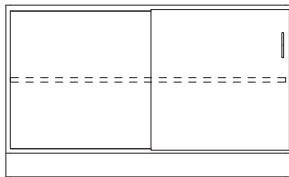
29" High Wood Base Cabinets



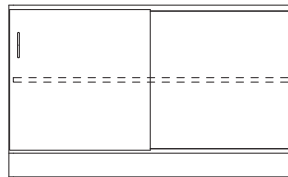
- 29" High base cabinets are 22 1/2" Deep.
- Lengths are as shown.
- All door cabinets have 1 adjustable shelf
- Drawer height is denoted by "Drawer Mark" on cabinet. See table on pages 10-13 for reference. If the drawer height is a custom size, the dimension will be listed on the drawer.

(Group A) A Width	(Group B) A Width	B Width
35 1/4"	36"	18 1/2"
41 1/4"	42"	21 1/2"
47 1/4"	48"	24 1/2"

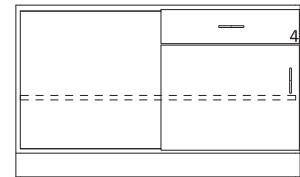
Blind Corner Cabinets



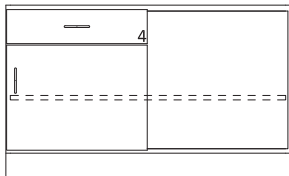
Cat. No.	Group A	Group B
3806P	35 1/4"	36"
3808P	41 1/4"	42"
3810P	47 1/4"	48"



Cat. No.	Group A	Group B
3824P	35 1/4"	36"
3826P	41 1/4"	42"
3828P	47 1/4"	48"

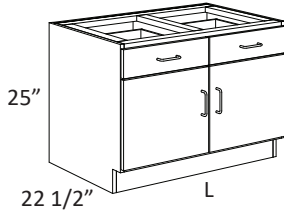


Cat. No.	Group A	Group B
3842P	35 1/4"	36"
3844P	41 1/4"	42"
3846P	47 1/4"	48"



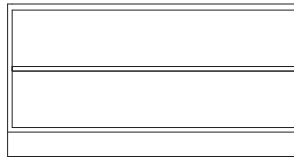
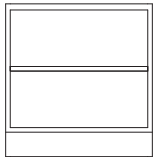
Cat. No.	Group A	Group B
3860P	35 1/4"	36"
3862P	41 1/4"	42"
3864P	47 1/4"	48"

25" High Wood Base Cabinets



- 25" High base cabinets are 22 1/2" Deep.
- Lengths are as shown.
- All door cabinets have 1 adjustable shelf
- Drawer height is denoted by "Drawer Mark" on cabinet. See table on pages 10-13 for reference. If the drawer height is a custom size, the dimension will be listed on the drawer.

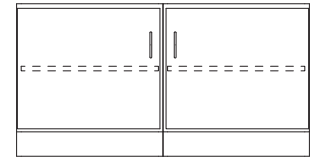
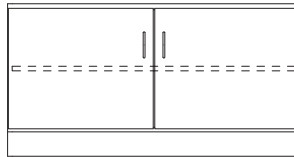
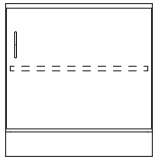
Open Cabinets



Cat. No.	Group A	Group B
3124	12 5/8"	12"
3126	15 5/16"	15"
3128	18"	18"
3130	21"	21"
3132	24"	24"

Cat. No.	Group A	Group B
3250	27"	27"
3252	30"	30"
3254	35 1/4"	36"
3256	41 1/4"	42"
3258	47 1/4"	48"

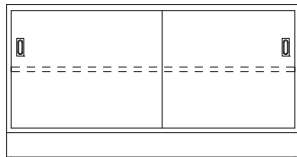
Door Cabinets



Cat. No.	Group A	Group B
3134	12 5/8"	12"
3136	15 5/16"	15"
3138	18"	18"
3140	21"	21"
3142	24"	24"

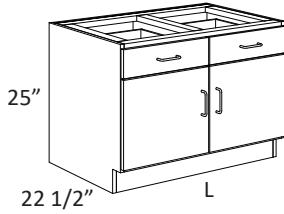
Cat. No.	Group A	Group B
3260	24"	24"
3262	27"	27"
3264	30"	30"
3266	35 1/4"	36"
3268	41 1/4"	42"
3270	47 1/4"	48"

Cat. No.	Group A	Group B
3272	24"	24"
3274	27"	27"
3276	30"	30"
3278	35 1/4"	36"
3280	41 1/4"	42"
3282	47 1/4"	48"



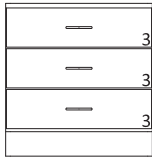
Cat. No.	Group A	Group B
3284	30"	30"
3286	35 1/4"	36"
3288	41 1/4"	42"
3290	47 1/4"	48"

25" High Wood Base Cabinets

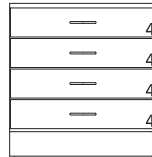


- 25" High base cabinets are 22 1/2" Deep.
- Lengths are as shown.
- All door cabinets have 1 adjustable shelf
- Drawer height is denoted by "Drawer Mark" on cabinet. See table on pages 10-13 for reference. If the drawer height is a custom size, the dimension will be listed on the drawer.

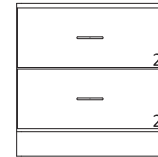
Drawer Cabinets



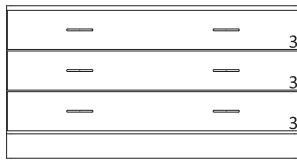
Cat. No.	Group A	Group B
3154	12 5/8"	12"
3156	15 5/16"	15"
3158	18"	18"
3160	21"	21"
3162	24"	24"



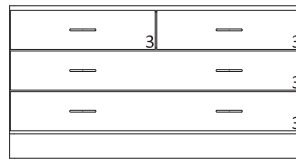
Cat. No.	Group A	Group B
3174	12 5/8"	12"
3176	15 5/16"	15"
3178	18"	18"
3180	21"	21"
3182	24"	24"



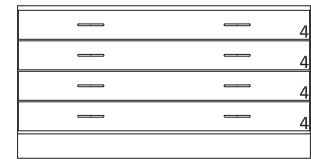
Cat. No.	Group A	Group B
3184	12 5/8"	12"
3186	15 5/16"	15"
3188	18"	18"
3190	21"	21"
3192	24"	24"



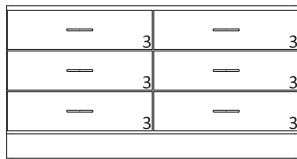
Cat. No.	Group A	Group B
3364	24"	24"
3366	27"	27"
3368	30"	30"
3370	35 1/4"	36"
3372	41 1/4"	42"
3374	47 1/4"	48"



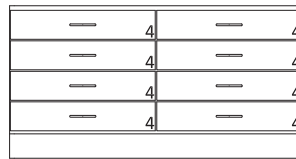
Cat. No.	Group A	Group B
3365	24"	24"
3367	27"	27"
3369	30"	30"
3371	35 1/4"	36"
3373	41 1/4"	42"
3375	47 1/4"	48"



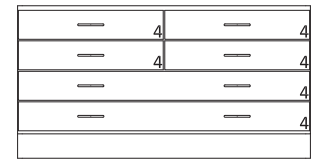
Cat. No.	Group A	Group B
3376	24"	24"
3378	27"	27"
3380	30"	30"
3382	35 1/4"	36"
3384	41 1/4"	42"
3386	47 1/4"	48"



Cat. No.	Group A	Group B
3388	24"	24"
3390	27"	27"
3392	30"	30"
3394	35 1/4"	36"
3396	41 1/4"	42"
3398	47 1/4"	48"

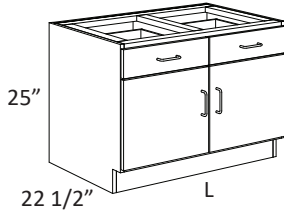


Cat. No.	Group A	Group B
3400	24"	24"
3402	27"	27"
3404	30"	30"
3406	35 1/4"	36"
3408	41 1/4"	42"
3410	47 1/4"	48"



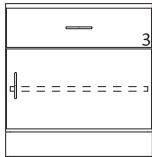
Cat. No.	Group A	Group B
3412	24"	24"
3414	27"	27"
3416	30"	30"
3418	35 1/4"	36"
3420	41 1/4"	42"
3422	47 1/4"	48"

25" High Wood Base Cabinets

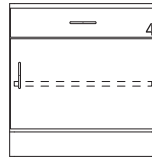


- 25" High base cabinets are 22 1/2" Deep.
- Lengths are as shown.
- All door cabinets have 1 adjustable shelf
- Drawer height is denoted by "Drawer Mark" on cabinet. See table on pages 10-13 for reference. If the drawer height is a custom size, the dimension will be listed on the drawer.

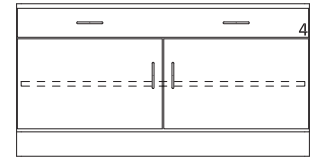
Combination Cabinets



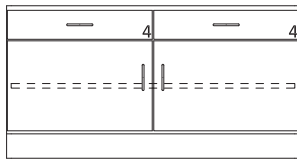
Cat. No.	Group A	Group B
3144	12 5/8"	12"
3146	15 5/16"	15"
3148	18"	18"
3150	21"	21"
3152	24"	24"



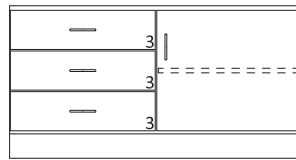
Cat. No.	Group A	Group B
3164	12 5/8"	12"
3166	15 5/16"	15"
3168	18"	18"
3170	21"	21"
3172	24"	24"



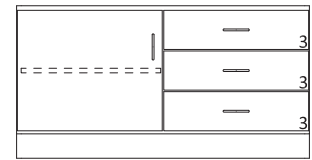
Cat. No.	Group A	Group B
3292	24"	24"
3294	27"	27"
3296	30"	30"
3298	35 1/4"	36"
3300	41 1/4"	42"
3302	47 1/4"	48"



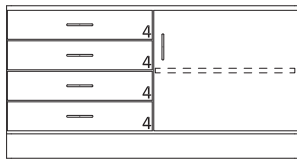
Cat. No.	Group A	Group B
3304	24"	24"
3306	27"	27"
3308	30"	30"
3310	35 1/4"	36"
3312	41 1/4"	42"
3314	47 1/4"	48"



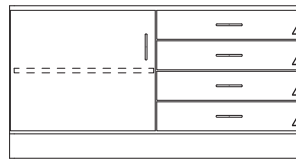
Cat. No.	Group A	Group B
3316	24"	24"
3318	27"	27"
3320	30"	30"
3322	35 1/4"	36"
3324	41 1/4"	42"
3326	47 1/4"	48"



Cat. No.	Group A	Group B
3328	24"	24"
3330	27"	27"
3332	30"	30"
3334	35 1/4"	36"
3336	41 1/4"	42"
3338	47 1/4"	48"

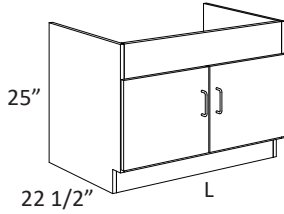


Cat. No.	Group A	Group B
3340	24"	24"
3342	27"	27"
3344	30"	30"
3346	35 1/4"	36"
3348	41 1/4"	42"
3350	47 1/4"	48"



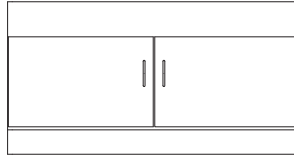
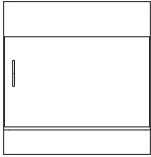
Cat. No.	Group A	Group B
3352	24"	24"
3354	27"	27"
3356	30"	30"
3358	35 1/4"	36"
3360	41 1/4"	42"
3362	47 1/4"	48"

25" High Wood Base Cabinets



- 25" High base cabinets are 22 1/2" Deep.
- Lengths are as shown.
- All door cabinets have 1 adjustable shelf
- Drawer height is denoted by "Drawer Mark" on cabinet. See table on pages 10-13 for reference. If the drawer height is a custom size, the dimension will be listed on the drawer.

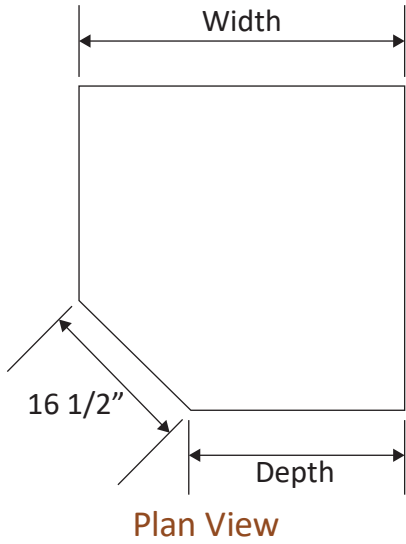
Sink Cabinets



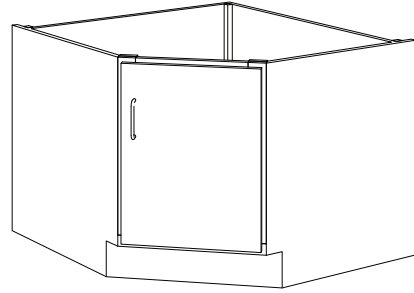
Cat. No.	Group A	Group B
3510	12 5/8"	12"
3512	15 5/16"	15"
3514	18"	18"
3516	21"	21"
3518	24"	24"

Cat. No.	Group A	Group B
3532	24"	24"
3534	27"	27"
3536	30"	30"
3538	35 1/4"	36"
3540	41 1/4"	42"
3542	47 1/4"	48"

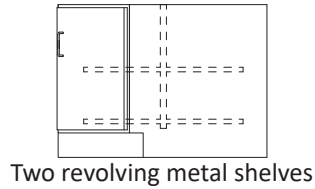
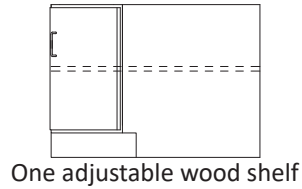
25" High Wood Base Cabinets



- 25" High base cabinets are 22 1/2" Deep.
- Lengths are as shown.
- All door cabinets have 1 adjustable shelf
- Drawer height is denoted by "Drawer Mark" on cabinet. See table on pages 10-13 for reference. If the drawer height is a custom size, the dimension will be listed on the drawer.



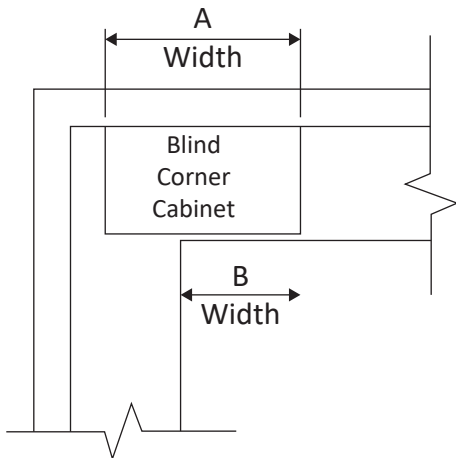
Corner Cabinet



Cat. No.	Width	Depth
3876	34 1/4"	22 1/2"

Cat. No.	Width	Depth
3882	34 1/4"	22 1/2"

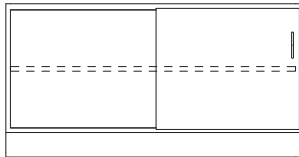
25" High Wood Base Cabinets



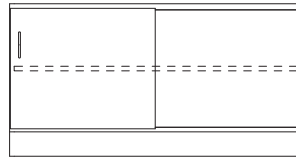
- 25" High base cabinets are 22 1/2" Deep.
- Lengths are as shown.
- All door cabinets have 1 adjustable shelf
- Drawer height is denoted by "Drawer Mark" on cabinet. See table on pages 10-13 for reference. If the drawer height is a custom size, the dimension will be listed on the drawer.

(Group A) A Width	(Group B) A Width	B Width
35 1/4"	36"	18 1/2"
41 1/4"	42"	21 1/2"
47 1/4"	48"	24 1/2"

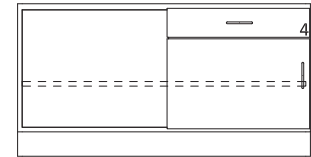
Blind Corner Cabinets



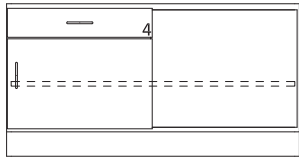
Cat. No.	Group A	Group B
with Finished Panels Enclosing the open shelf area		
3812P	35 1/4"	36"
3814P	41 1/4"	42"
3816P	47 1/4"	48"



Cat. No.	Group A	Group B
with Finished Panels Enclosing the open shelf area		
3830P	35 1/4"	36"
3832P	41 1/4"	42"
3834P	47 1/4"	48"



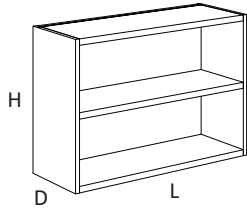
Cat. No.	Group A	Group B
with Finished Panels Enclosing the open shelf area		
3848P	35 1/4"	36"
3850P	41 1/4"	42"
3852P	47 1/4"	48"



Cat. No.	Group A	Group B
with Finished Panels Enclosing the open shelf area		
3866P	35 1/4"	36"
3868P	41 1/4"	42"
3870P	47 1/4"	48"

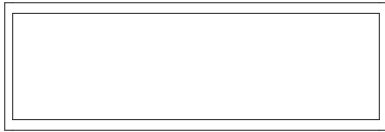


Wood Wall Cabinets



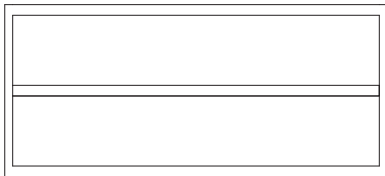
- Wall Cabinets vary in depth and width, see part number tables below.
- If the wall cabinet has a shelf, it is a full depth adjustable shelf.

12" High Wall Cabinet - Open Cabinet



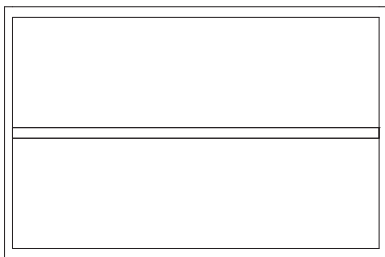
12" Deep	Cat. No.		Length	
	13" Deep	16" Deep	Group A	Group B
4200	4201	4220	12 3/8"	12"
4202	4203	4222	15 5/16"	15"
4204	4205	4224	18"	18"
4206	4207	4226	21"	21"
4208	4209	4228	24"	24"
4210	4211	4230	27"	27"
4212	4213	4232	30"	30"
4212G	4213G	4232G	33"	33"
4214	4215	4234	35 1/4"	36"
4214J	4213J	4234J	39"	39"
4216	4217	4236	41 1/4"	42"
4216K	4217K	4236K	45"	45"
4218	4219	4238	47 1/4"	48"

16 3/16" High Wall Cabinet - Open Cabinet



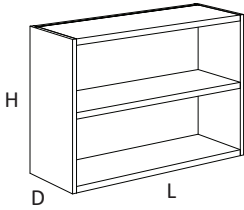
12" Deep	Cat. No.		Length	
	13" Deep	16" Deep	Group A	Group B
4240	4241	4260	12 3/8"	12"
4242	4243	4262	15 5/16"	15"
4244	4245	4264	18"	18"
4246	4247	4266	21"	21"
4248	4249	4268	24"	24"
4250	4251	4270	27"	27"
4252	4253	4272	30"	30"
4252G	4253G	4272G	33"	33"
4254	4255	4274	35 1/4"	36"
4254J	4255J	4274J	39"	39"
4256	4257	4276	41 1/4"	42"
4256K	4257K	4276K	45"	45"
4258	4259	4278	47 1/4"	48"

23 3/4" High Wall Cabinet - Open Cabinet



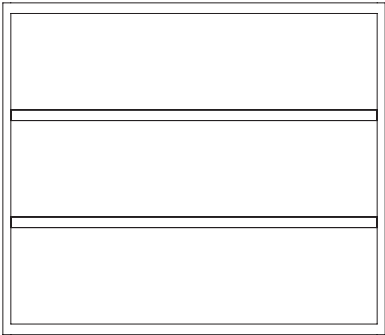
12" Deep	Cat. No.		Length	
	13" Deep	16" Deep	Group A	Group B
4280	4281	4300	12 3/8"	12"
4282	4283	4302	15 5/16"	15"
4284	4285	4304	18"	18"
4286	4287	4306	21"	21"
4288	4289	4308	24"	24"
4290	4291	4310	27"	27"
4292	4293	4312	30"	30"
4292G	4293G	4312G	33"	33"
4294	4295	4314	35 1/4"	36"
4294J	4295J	4314J	39"	39"
4296	4297	4316	41 1/4"	42"
4296K	4297K	4316K	45"	45"
4298	4299	4318	47 1/4"	48"

Wood Wall Cabinets



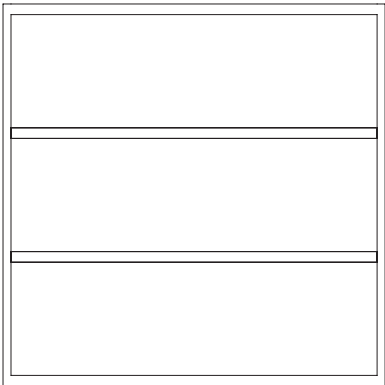
- Wall Cabinets vary in depth and width, see part number tables below.
- If the wall cabinet has a shelf, it is a full depth adjustable shelf.

31 1/4" High Wall Cabinet - Open Cabinet



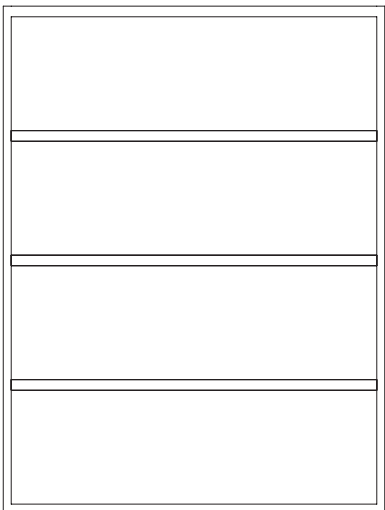
Cat. No.			Length	
12" Deep	13" Deep	16" Deep	Group A	Group B
4320	4321	4340	12 3/8"	12"
4322	4323	4342	15 5/16"	15"
4324	4325	4344	18"	18"
4326	4327	4346	21"	21"
4328	4329	4348	24"	24"
4330	4331	4350	27"	27"
4332	4333	4352	30"	30"
4332G	4333G	4352G	33"	33"
4334	4335	4354	35 1/4"	36"
4334J	4335J	4354J	39"	39"
4336	4337	4356	41 1/4"	42"
4336K	4337K	4356K	45"	45"
4338	4339	4358	47 1/4"	48"

36" High Wall Cabinet - Open Cabinet



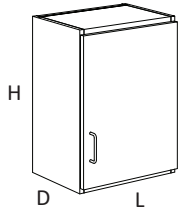
Cat. No.			Length	
12" Deep	13" Deep	16" Deep	Group A	Group B
5300	5301	5320	12 3/8"	12"
5302	5303	5322	15 5/16"	15"
5304	5305	5324	18"	18"
5306	5307	5326	21"	21"
5308	5309	5328	24"	24"
5310	5311	5330	27"	27"
5312	5313	5332	30"	30"
5312G	5313G	5332G	33"	33"
5314	5315	5334	35 1/4"	36"
5314J	5315J	5334J	39"	39"
5316	5317	5336	41 1/4"	42"
5316K	5317K	5336K	45"	45"
5318	5319	5338	47 1/4"	48"

48" High Wall Cabinet - Open Cabinet



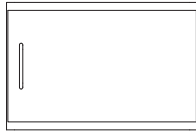
Cat. No.		Length	
12" Deep	16" Deep	Group A	Group B
5148	5160	24"	24"
5150	5162	30"	30"
5151	5163	33"	33"
5152	5164	35 1/4"	36"
5153	5165	39"	39"
5154	5166	41 1/4"	42"
5155	5167	45"	45"
5156	5168	47 1/4"	48"

Wood Wall Cabinets



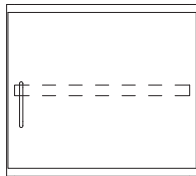
- Wall Cabinets vary in depth and width, see part number tables below.
- If the wall cabinet has a shelf, it is a full depth adjustable shelf.

12" High Wall Cabinet - Solid Door Cabinet, Right Hinged



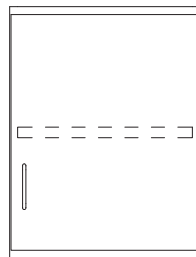
12" Deep	Cat. No.			Length	
	13" Deep	16" Deep	Group A	Group B	
4360	4361	4370	12 3/8"	12"	
4362	4363	4372	15 5/16"	15"	
4364	4365	4374	18"	18"	

16 3/16" High Wall Cabinet - Solid Door Cabinet, Right Hinged



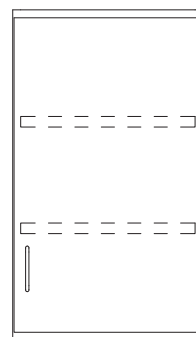
12" Deep	Cat. No.			Length	
	13" Deep	16" Deep	Group A	Group B	
4380	4381	4390	12 3/8"	12"	
4382	4383	4392	15 5/16"	15"	
4384	4385	4394	18"	18"	

23 3/4" High Wall Cabinet - Solid Door Cabinet, Right Hinged



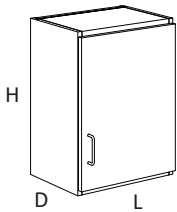
12" Deep	Cat. No.			Length	
	13" Deep	16" Deep	Group A	Group B	
4400	4401	4410	12 3/8"	12"	
4402	4403	4412	15 5/16"	15"	
4404	4405	4414	18"	18"	
4406	4407	4416	21"	21"	
4408	4409	4418	24"	24"	

31 1/4" High Wall Cabinet - Solid Door Cabinet, Right Hinged



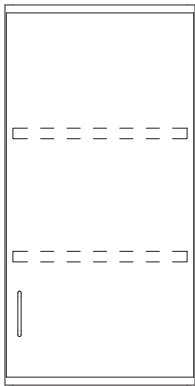
12" Deep	Cat. No.			Length	
	13" Deep	16" Deep	Group A	Group B	
4420	4421	4430	12 3/8"	12"	
4422	4423	4432	15 5/16"	15"	
4424	4425	4434	18"	18"	
4426	4427	4436	21"	21"	
4428	4429	4438	24"	24"	

Wood Wall Cabinets



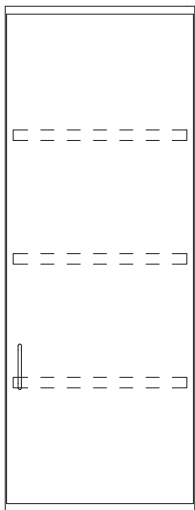
- Wall Cabinets vary in depth and width, see part number tables below.
- If the wall cabinet has a shelf, it is a full depth adjustable shelf.

36" High Wall Cabinet - Solid Door Cabinet, Right Hinged



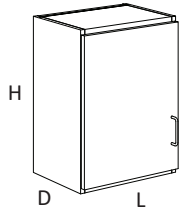
Cat. No.			Length	
12" Deep	13" Deep	16" Deep	Group A	Group B
5340	5341	5350	12 3/8"	12"
5342	5343	5352	15 5/16"	15"
5344	5345	5354	18"	18"
5346	5347	5356	21"	21"
5348	5349	5358	24"	24"

48" High Wall Cabinet - Solid Door Cabinet, Right Hinged



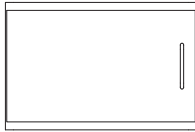
Cat. No.		Length	
12" Deep	16" Deep	Group A	Group B
5100	5106	18"	18"
5102	5108	21"	21"
5104	5110	24"	24"

Wood Wall Cabinets



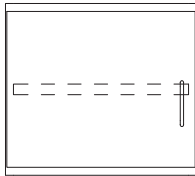
- Wall Cabinets vary in depth and width, see part number tables below.
- If the wall cabinet has a shelf, it is a full depth adjustable shelf.

12" High Wall Cabinet - Solid Door Cabinet, Left Hinged



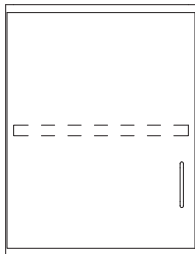
12" Deep	Cat. No.			Length	
	13" Deep	16" Deep	Group A	Group B	
4440	4441	4450	12 3/8"	12"	
4442	4443	4452	15 5/16"	15"	
4444	4445	4454	18"	18"	

16 3/16" High Wall Cabinet - Solid Door Cabinet, Left Hinged



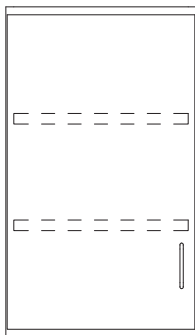
12" Deep	Cat. No.			Length	
	13" Deep	16" Deep	Group A	Group B	
4460	4461	4470	12 3/8"	12"	
4462	4463	4472	15 5/16"	15"	
4464	4465	4474	18"	18"	

23 3/4" High Wall Cabinet - Solid Door Cabinet, Left Hinged



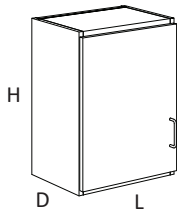
12" Deep	Cat. No.			Length	
	13" Deep	16" Deep	Group A	Group B	
4480	4481	4490	12 3/8"	12"	
4482	4483	4492	15 5/16"	15"	
4484	4485	4494	18"	18"	
4486	4487	4496	21"	21"	
4488	4489	4498	24"	24"	

31 1/4" High Wall Cabinet - Solid Door Cabinet, Left Hinged



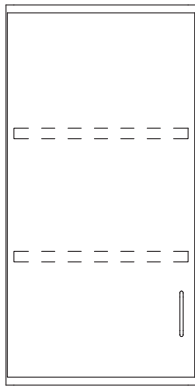
12" Deep	Cat. No.			Length	
	13" Deep	16" Deep	Group A	Group B	
4500	4501	4510	12 3/8"	12"	
4502	4503	4512	15 5/16"	15"	
4504	4505	4514	18"	18"	
4506	4507	4516	21"	21"	
4508	4509	4518	24"	24"	

Wood Wall Cabinets



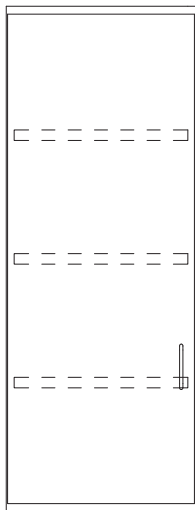
- Wall Cabinets vary in depth and width, see part number tables below.
- If the wall cabinet has a shelf, it is a full depth adjustable shelf.

36" High Wall Cabinet - Solid Door Cabinet, Left Hinged



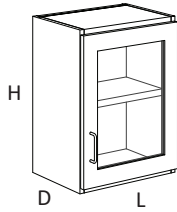
	Cat. No.			Length	
	12" Deep	13" Deep	16" Deep	Group A	Group B
	5360	5361	5370	12 3/8"	12"
	5362	5363	5372	15 5/16"	15"
	5364	5365	5374	18"	18"
	5366	5367	5376	21"	21"
	5368	5369	5378	24"	24"

48" High Wall Cabinet - Solid Door Cabinet, Left Hinged



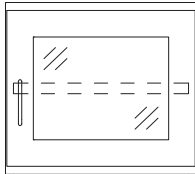
	Cat. No.		Length	
	12" Deep	16" Deep	Group A	Group B
	5112	5118	18"	18"
	5114	5120	21"	21"
	5116	5122	24"	24"

Wood Wall Cabinets



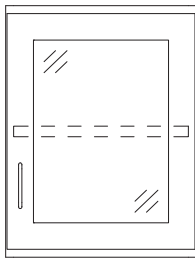
- Wall Cabinets vary in depth and width, see part number tables below.
- If the wall cabinet has a shelf, it is a full depth adjustable shelf.

16 3/16" High Wall Cabinet - Framed Glass Door Cabinet, Right Hinged



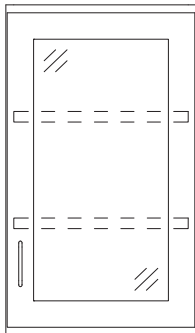
12" Deep	Cat. No.		Length	
	13" Deep	16" Deep	Group A	Group B
4520	4521	4530	12 3/8"	12"
4522	4523	4532	15 5/16"	15"
4524	4525	4534	18"	18"

23 3/4" High Wall Cabinet - Framed Glass Door Cabinet, Right Hinged



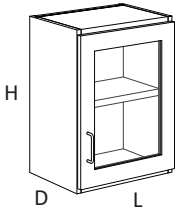
12" Deep	Cat. No.		Length	
	13" Deep	16" Deep	Group A	Group B
4540	4541	4550	12 3/8"	12"
4542	4543	4552	15 5/16"	15"
4544	4545	4554	18"	18"
4546	4547	4556	21"	21"
4548	4549	4558	24"	24"

31 1/4" High Wall Cabinet - Framed Glass Door Cabinet, Right Hinged



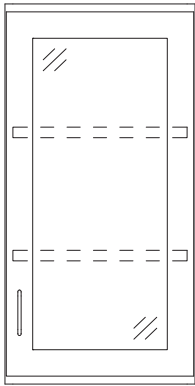
12" Deep	Cat. No.		Length	
	13" Deep	16" Deep	Group A	Group B
4560	4561	4570	12 3/8"	12"
4562	4563	4572	15 5/16"	15"
4564	4565	4574	18"	18"
4566	4567	4576	21"	21"
4568	4569	4578	24"	24"

Wood Wall Cabinets



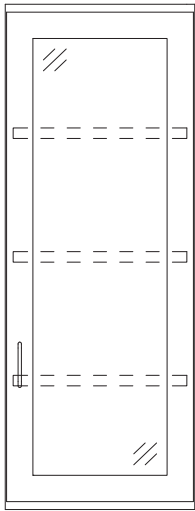
- Wall Cabinets vary in depth and width, see part number tables below.
- If the wall cabinet has a shelf, it is a full depth adjustable shelf.

36" High Wall Cabinet - Framed Glass Door Cabinet, Right Hinged



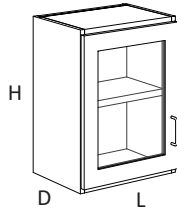
Cat. No.			Length	
12" Deep	13" Deep	16" Deep	Group A	Group B
5380	5381	5390	12 3/8"	12"
5382	5383	5392	15 5/16"	15"
5384	5385	5394	18"	18"
5386	5387	5396	21"	21"
5388	5389	5398	24"	24"

48" High Wall Cabinet - Framed Glass Door Cabinet, Right Hinged



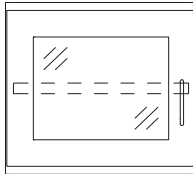
Cat. No.		Length	
12" Deep	16" Deep	Group A	Group B
5124	5130	18"	18"
5126	5132	21"	21"
5128	5134	24"	24"

Wood Wall Cabinets



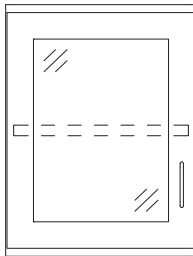
- Wall Cabinets vary in depth and width, see part number tables below.
- If the wall cabinet has a shelf, it is a full depth adjustable shelf.

16 3/16" High Wall Cabinet - Framed Glass Door Cabinet, Left Hinged



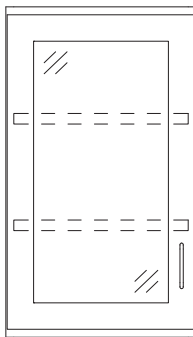
Cat. No.			Length	
12" Deep	13" Deep	16" Deep	Group A	Group B
4580	4581	4590	12 3/8"	12"
4582	4583	4592	15 5/16"	15"
4584	4585	4594	18"	18"

23 3/4" High Wall Cabinet - Framed Glass Door Cabinet, Left Hinged



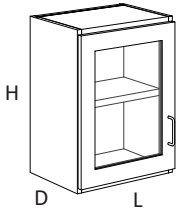
Cat. No.			Length	
12" Deep	13" Deep	16" Deep	Group A	Group B
4600	4601	4610	12 3/8"	12"
4602	4603	4612	15 5/16"	15"
4604	4605	4614	18"	18"
4606	4607	4616	21"	21"
4608	4609	4618	24"	24"

31 1/4" High Wall Cabinet - Framed Glass Door Cabinet, Left Hinged



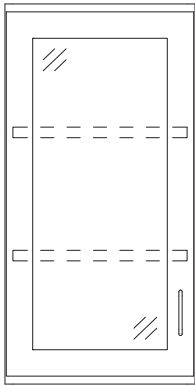
Cat. No.			Length	
12" Deep	13" Deep	16" Deep	Group A	Group B
4620	4621	4630	12 3/8"	12"
4622	4623	4632	15 5/16"	15"
4624	4625	4634	18"	18"
4626	4627	4636	21"	21"
4628	4629	4638	24"	24"

Wood Wall Cabinets



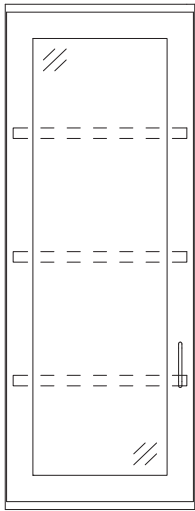
- Wall Cabinets vary in depth and width, see part number tables below.
- If the wall cabinet has a shelf, it is a full depth adjustable shelf.

36" High Wall Cabinet - Framed Glass Door Cabinet, Left Hinged



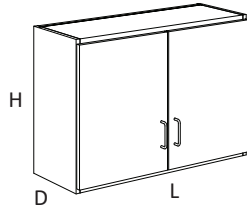
12" Deep	Cat. No.		Length	
	13" Deep	16" Deep	Group A	Group B
5400	5401	5410	12 3/8"	12"
5402	5403	5412	15 5/16"	15"
5404	5405	5414	18"	18"
5406	5407	5416	21"	21"
5408	5409	5418	24"	24"

48" High Wall Cabinet - Framed Glass Door Cabinet, Left Hinged



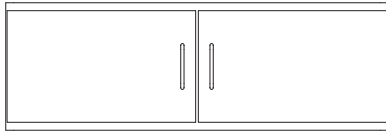
Cat. No.		Length	
12" Deep	16" Deep	Group A	Group B
5136	5142	18"	18"
5138	5144	21"	21"
5140	5146	24"	24"

Wood Wall Cabinets



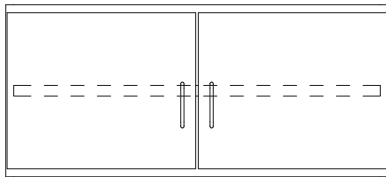
- Wall Cabinets vary in depth and width, see part number tables below.
- If the wall cabinet has a shelf, it is a full depth adjustable shelf.

12" High Wall Cabinet - Solid Door Cabinet



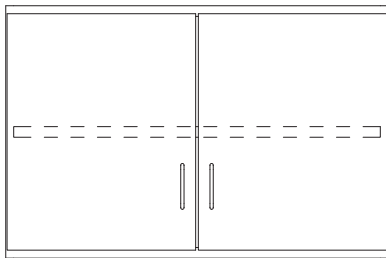
12" Deep	Cat. No.			Length	
	13" Deep	16" Deep	Group A	Group B	
4640	4641	4652	24"	24"	
4642	4643	4654	27"	27"	
4644	4645	4656	30"	30"	
4644G	4645G	4656G	33"	33"	
4646	4647	4658	35 1/4"	36"	
4646J	4647J	4658J	39"	39"	

16 3/16" High Wall Cabinet - Solid Door Cabinet



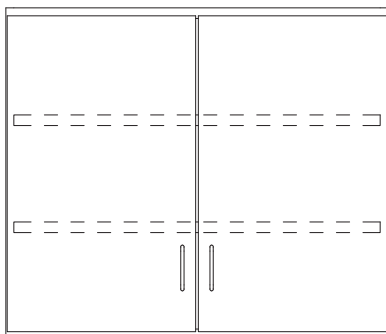
12" Deep	Cat. No.			Length	
	13" Deep	16" Deep	Group A	Group B	
4664	4665	4676	24"	24"	
4666	4667	4678	27"	27"	
4668	4669	4680	30"	30"	
4668G	4669G	4680G	33"	33"	
4670	4671	4682	35 1/4"	36"	
4670J	4671J	4682J	39"	39"	

23 3/4" High Wall Cabinet - Solid Door Cabinet



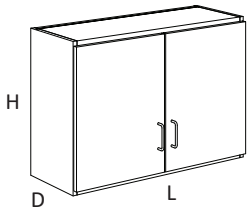
12" Deep	Cat. No.			Length	
	13" Deep	16" Deep	Group A	Group B	
4688	4689	4700	24"	24"	
4690	4691	4702	27"	27"	
4692	4693	4704	30"	30"	
4692G	4693G	4704G	33"	33"	
4694	4695	4706	35 1/4"	36"	
4694J	4695J	4706J	39"	39"	
4696	4697	4708	41 1/4"	42"	
4696K	4697K	4708K	45"	45"	
4698	4699	4710	47 1/4"	48"	

31 1/4" High Wall Cabinet - Solid Door Cabinet



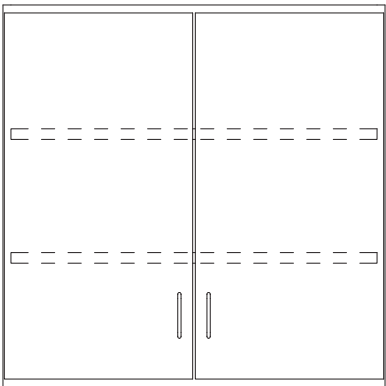
12" Deep	Cat. No.			Length	
	13" Deep	16" Deep	Group A	Group B	
4712	4713	4724	24"	24"	
4714	4715	4726	27"	27"	
4716	4717	4728	30"	30"	
4716G	4717G	4728G	33"	33"	
4718	4719	4730	35 1/4"	36"	
4718J	4719J	4730J	39"	39"	
4720	4721	4732	41 1/4"	42"	
4720K	4721K	4732K	45"	45"	
4722	4723	4734	47 1/4"	48"	

Wood Wall Cabinets



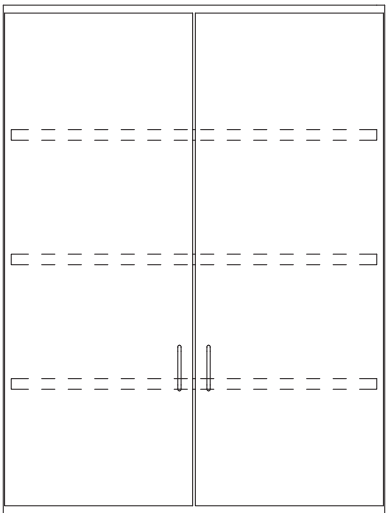
- Wall Cabinets vary in depth and width, see part number tables below.
- If the wall cabinet has a shelf, it is a full depth adjustable shelf.

36" High Wall Cabinet - Solid Door Cabinet



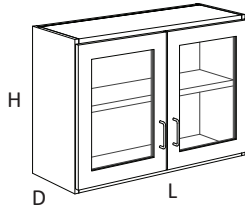
Cat. No.			Length	
12" Deep	13" Deep	16" Deep	Group A	Group B
5420	5421	5432	24"	24"
5422	5423	5434	27"	27"
5424	5425	5436	30"	30"
5424G	5425G	5436G	33"	33"
5426	5427	5438	35 1/4"	36"
5426J	5427J	5438J	39"	39"
5428	5429	5440	41 1/4"	42"
5428K	5429K	5440K	45"	45"
5430	5431	5442	47 1/4"	48"

48" High Wall Cabinet - Solid Door Cabinet



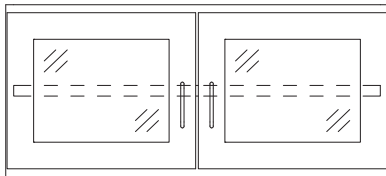
Cat. No.		Length	
12" Deep	16" Deep	Group A	Group B
5172	5182	24"	24"
5174	5184	30"	30"
5175	5185	33"	33"
5176	5186	35 1/4"	36"
5177	5187	39"	39"
5178	5188	41 1/4"	42"
5179	5189	45"	45"
5180	5190	47 1/4"	48"

Wood Wall Cabinets



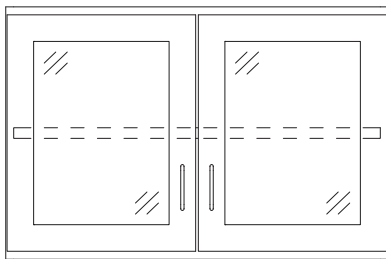
- Wall Cabinets vary in depth and width, see part number tables below.
- If the wall cabinet has a shelf, it is a full depth adjustable shelf.

16 3/16" High Wall Cabinet - Framed Glass Door Cabinet



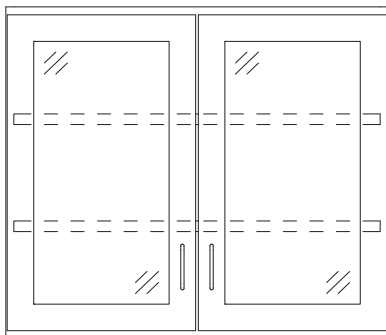
Cat. No.			Length	
12" Deep	13" Deep	16" Deep	Group A	Group B
4736	4737	4748	24"	24"
4738	4739	4750	27"	27"
4740	4741	4752	30"	30"
4740G	4741G	4752G	33"	33"
4742	4743	4754	35 1/4"	36"
4742J	4743J	4754J	39"	39"

23 3/4" High Wall Cabinet - Framed Glass Door Cabinet



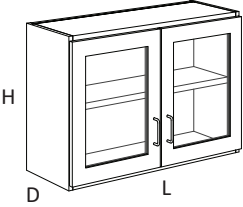
Cat. No.			Length	
12" Deep	13" Deep	16" Deep	Group A	Group B
4760	4761	4772	24"	24"
4762	4763	4774	27"	27"
4764	4765	4776	30"	30"
4764G	4765G	4776G	33"	33"
4766	4767	4778	35 1/4"	36"
4766J	4767J	4778J	39"	39"
4768	4769	4780	41 1/4"	42"
4768K	4769K	4780K	45"	45"
4770	4771	4782	47 1/4"	48"

31 1/4" High Wall Cabinet - Framed Glass Door Cabinet



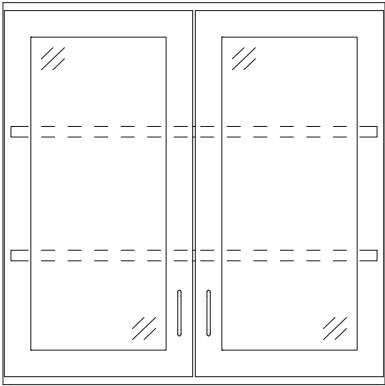
Cat. No.			Length	
12" Deep	13" Deep	16" Deep	Group A	Group B
4784	4785	4796	24"	24"
4786	4787	4798	27"	27"
4788	4789	4800	30"	30"
4788G	4789G	4800G	33"	33"
4790	4791	4802	35 1/4"	36"
4790J	4791J	4802J	39"	39"
4792	4793	4804	41 1/4"	42"
4792K	4793K	4804K	45"	45"
4794	4795	4806	47 1/4"	48"

Wood Wall Cabinets



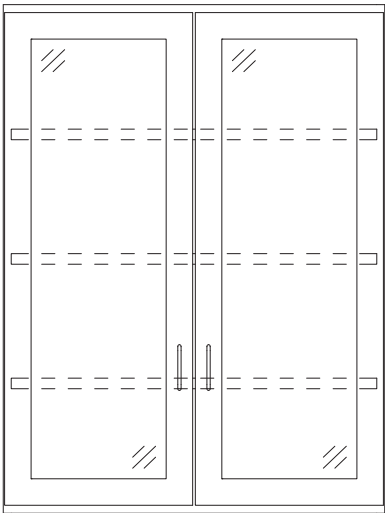
- Wall Cabinets vary in depth and width, see part number tables below.
- If the wall cabinet has a shelf, it is a full depth adjustable shelf.

36" High Wall Cabinet - Framed Glass Door Cabinet



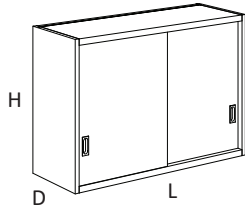
Cat. No.			Length	
12" Deep	13" Deep	16" Deep	Group A	Group B
5444	5445	5456	24"	24"
5446	5447	5458	27"	27"
5448	5449	5460	30"	30"
5448G	5449G	5460G	33"	33"
5450	5451	5462	35 1/4"	36"
5450J	5451J	5462J	39"	39"
5452	5453	5464	41 1/4"	42"
5452K	5453K	5464K	45"	45"
5454	5455	5466	47 1/4"	48"

48" High Wall Cabinet - Framed Glass Door Cabinet



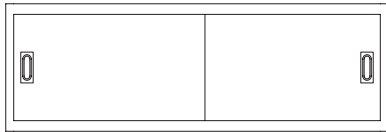
Cat. No.		Length	
12" Deep	16" Deep	Group A	Group B
5212	5122	24"	24"
5214	5224	30"	30"
5215	5225	33"	33"
5216	5226	35 1/4"	36"
5217	5227	39"	39"
5218	5228	41 1/4"	42"
5219	5229	45"	45"
5220	5230	47 1/4"	48"

Wood Wall Cabinets



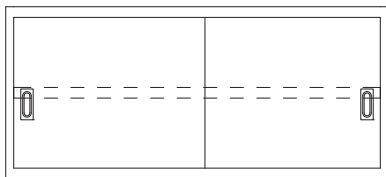
- Wall Cabinets vary in depth and width, see part number tables below.
- If the wall cabinet has a shelf, it is a full depth adjustable shelf.

12" High Wall Cabinet - Solid Sliding Door Cabinet



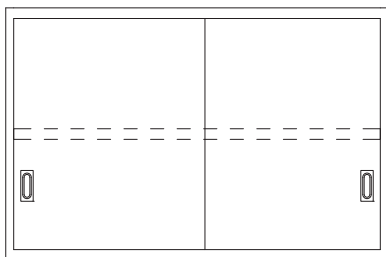
12" Deep	Cat. No.			Length	
	13" Deep	16" Deep	Group A	Group B	
4808	4809	4820	24"	24"	
4810	4811	4822	27"	27"	
4812	4813	4824	30"	30"	
4814	4815	4826	35 1/4"	36"	
4816	4817	4828	41 1/4"	42"	
4818	4819	4830	47 1/4"	48"	

16 3/16" High Wall Cabinet - Solid Sliding Door Cabinet



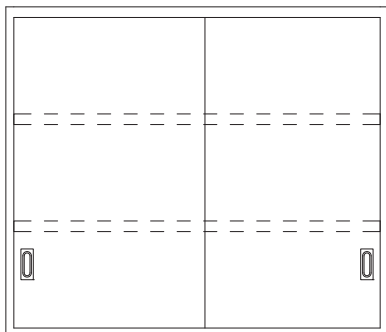
12" Deep	Cat. No.			Length	
	13" Deep	16" Deep	Group A	Group B	
4832	4833	4844	24"	24"	
4834	4835	4846	27"	27"	
4836	4837	4848	30"	30"	
4838	4839	4850	35 1/4"	36"	
4840	4841	4852	41 1/4"	42"	
4842	4843	4854	47 1/4"	48"	

23 3/4" High Wall Cabinet - Solid Sliding Door Cabinet



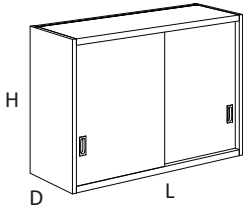
12" Deep	Cat. No.			Length	
	13" Deep	16" Deep	Group A	Group B	
4856	4857	4868	24"	24"	
4858	4859	4870	27"	27"	
4860	4861	4872	30"	30"	
4862	4863	4874	35 1/4"	36"	
4864	4865	4876	41 1/4"	42"	
4866	4867	4878	47 1/4"	48"	

31 1/4" High Wall Cabinet - Solid Sliding Door Cabinet



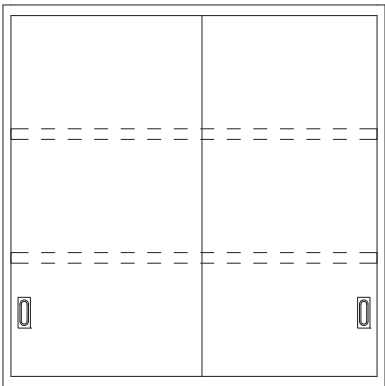
12" Deep	Cat. No.			Length	
	13" Deep	16" Deep	Group A	Group B	
4880	4881	4892	24"	24"	
4882	4883	4894	27"	27"	
4884	4885	4896	30"	30"	
4886	4887	4898	35 1/4"	36"	
4888	4889	4900	41 1/4"	42"	
4890	4891	4902	47 1/4"	48"	

Wood Wall Cabinets



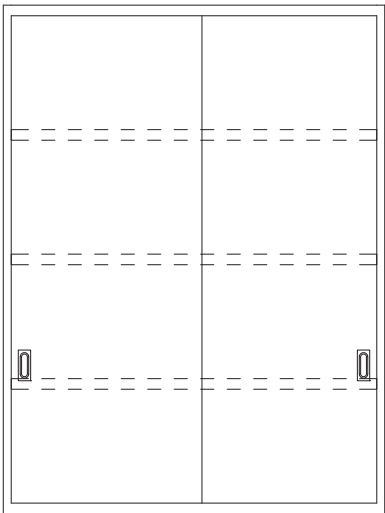
- Wall Cabinets vary in depth and width, see part number tables below.
- If the wall cabinet has a shelf, it is a full depth adjustable shelf.

36" High Wall Cabinet - Solid Sliding Door Cabinet



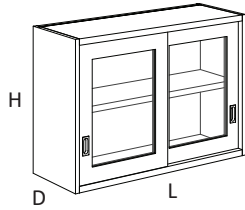
12" Deep	Cat. No.		Length	
	13" Deep	16" Deep	Group A	Group B
5468	5469	5480	24"	24"
5470	5471	5482	27"	27"
5472	5473	5484	30"	30"
5474	5475	5486	35 1/4"	36"
5476	5477	5488	41 1/4"	42"
5478	5479	5490	47 1/4"	48"

48" High Wall Cabinet - Solid Sliding Door Cabinet



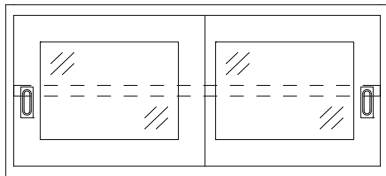
Cat. No.		Length	
12" Deep	16" Deep	Group A	Group B
5192	5202	30"	30"
5194	5204	35 1/4"	36"
5196	5206	41 1/4"	42"
5198	5208	47 1/4"	48"

Wood Wall Cabinets



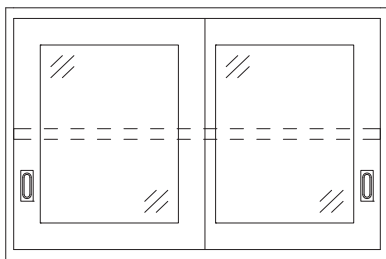
- Wall Cabinets vary in depth and width, see part number tables below.
- If the wall cabinet has a shelf, it is a full depth adjustable shelf.

16 3/16" High Wall Cabinet - Framed Glass Sliding Door Cabinet



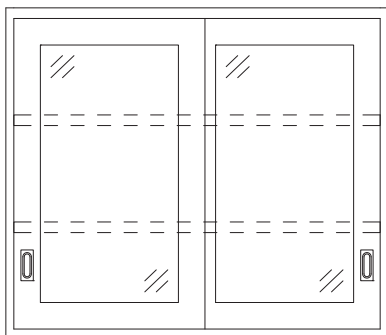
12" Deep	Cat. No.		Length	
	13" Deep	16" Deep	Group A	Group B
4904	4905	4916	24"	24"
4906	4907	4918	27"	27"
4908	4909	4920	30"	30"
4910	4911	4922	35 1/4"	36"
4912	4913	4924	41 1/4"	42"
4914	4915	4926	47 1/4"	48"

23 3/4" High Wall Cabinet - Framed Glass Sliding Door Cabinet



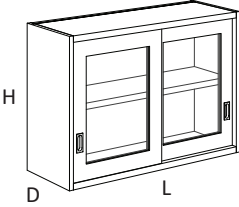
12" Deep	Cat. No.		Length	
	13" Deep	16" Deep	Group A	Group B
4928	4929	4940	24"	24"
4930	4931	4942	27"	27"
4932	4933	4944	30"	30"
4934	4935	4946	35 1/4"	36"
4936	4937	4948	41 1/4"	42"
4938	4939	4950	47 1/4"	48"

31 1/4" High Wall Cabinet - Framed Glass Sliding Door Cabinet



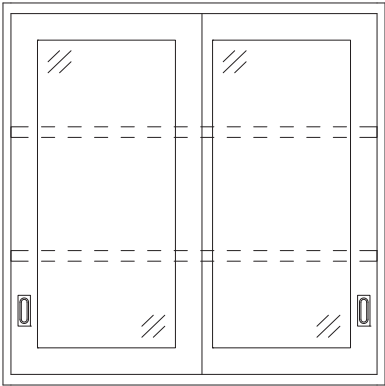
12" Deep	Cat. No.		Length	
	13" Deep	16" Deep	Group A	Group B
4952	4953	4964	24"	24"
4954	4955	4966	27"	27"
4956	4957	4968	30"	30"
4958	4959	4970	35 1/4"	36"
4960	4961	4972	41 1/4"	42"
4962	4963	4974	47 1/4"	48"

Wood Wall Cabinets



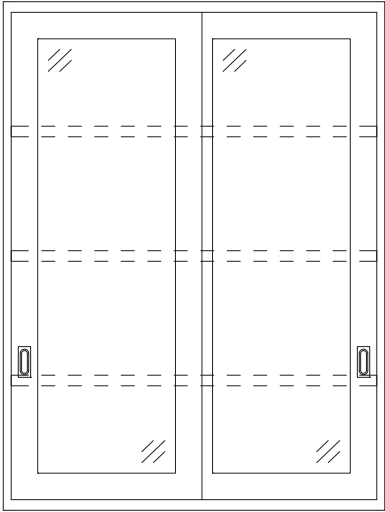
- Wall Cabinets vary in depth and width, see part number tables below.
- If the wall cabinet has a shelf, it is a full depth adjustable shelf.

36" High Wall Cabinet - Framed Glass Sliding Door Cabinet



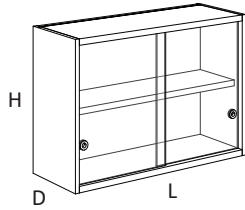
Cat. No.			Length	
12" Deep	13" Deep	16" Deep	Group A	Group B
5492	5493	5504	24"	24"
5494	5495	5506	27"	27"
5496	5497	5508	30"	30"
5498	5499	5510	35 1/4"	36"
5500	5501	5512	41 1/4"	42"
5502	5503	5514	47 1/4"	48"

48" High Wall Cabinet - Framed Glass Sliding Door Cabinet



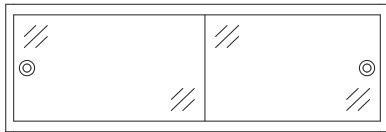
Cat. No.		Length	
12" Deep	16" Deep	Group A	Group B
5232	5242	30"	30"
5234	5244	35 1/4"	36"
5236	5246	41 1/4"	42"
5238	5248	47 1/4"	48"

Wood Wall Cabinets



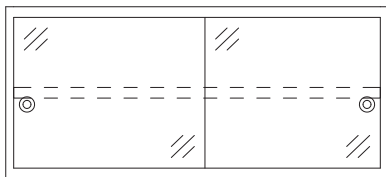
- Wall Cabinets vary in depth and width, see part number tables below.
- If the wall cabinet has a shelf, it is a full depth adjustable shelf.

12" High Wall Cabinet - Glass Sliding Door Cabinet



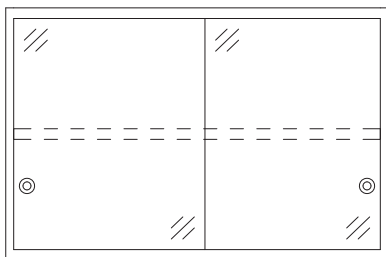
12" Deep	Cat. No.		Length	
	13" Deep	16" Deep	Group A	Group B
4976	4977	4988	24"	24"
4978	4979	4990	27"	27"
4980	4981	4992	30"	30"
4982	4983	4994	35 1/4"	36"
4984	4985	4996	41 1/4"	42"
4986	4987	4998	47 1/4"	48"

16 3/16" High Wall Cabinet - Glass Sliding Door Cabinet



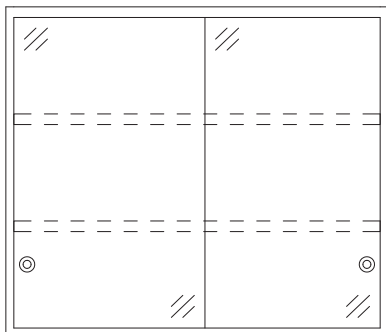
12" Deep	Cat. No.		Length	
	13" Deep	16" Deep	Group A	Group B
5000	5001	5012	24"	24"
5002	5003	5014	27"	27"
5004	5005	5016	30"	30"
5006	5007	5018	35 1/4"	36"
5008	5009	5020	41 1/4"	42"
5010	5011	5022	47 1/4"	48"

23 3/4" High Wall Cabinet - Glass Sliding Door Cabinet



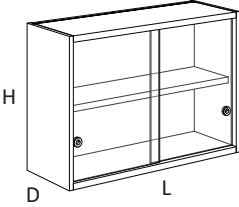
12" Deep	Cat. No.		Length	
	13" Deep	16" Deep	Group A	Group B
5024	5025	5036	24"	24"
5026	5027	5038	27"	27"
5028	5029	5040	30"	30"
5030	5031	5042	35 1/4"	36"
5032	5033	5044	41 1/4"	42"
5034	5035	5046	47 1/4"	48"

31 1/4" High Wall Cabinet - Glass Sliding Door Cabinet



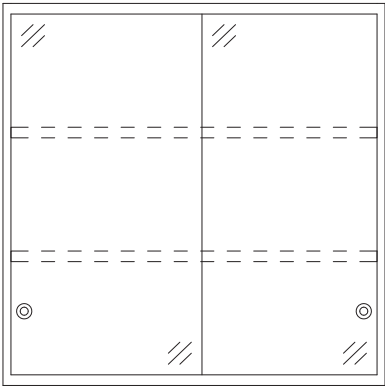
12" Deep	Cat. No.		Length	
	13" Deep	16" Deep	Group A	Group B
5048	5049	5060	24"	24"
5050	5051	5062	27"	27"
5052	5053	5064	30"	30"
5054	5055	5066	35 1/4"	36"
5056	5057	5068	41 1/4"	42"
5058	5059	5070	47 1/4"	48"

Wood Wall Cabinets



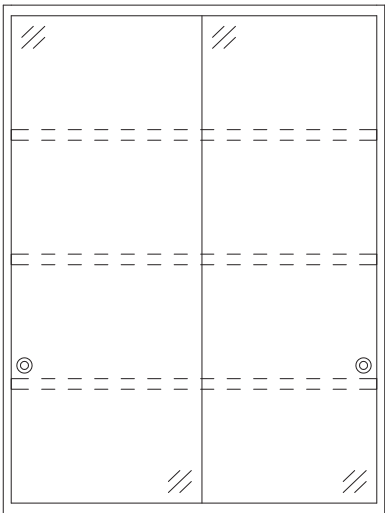
- Wall Cabinets vary in depth and width, see part number tables below.
- If the wall cabinet has a shelf, it is a full depth adjustable shelf.

36" High Wall Cabinet - Glass Sliding Door Cabinet



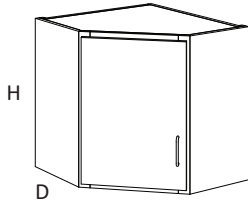
Cat. No.			Length	
12" Deep	13" Deep	16" Deep	Group A	Group B
5516	5517	5528	24"	24"
5518	5519	5530	27"	27"
5520	5521	5532	30"	30"
5522	5523	5534	35 1/4"	36"
5524	5525	5536	41 1/4"	42"
5526	5527	5538	47 1/4"	48"

48" High Wall Cabinet - Glass Sliding Door Cabinet



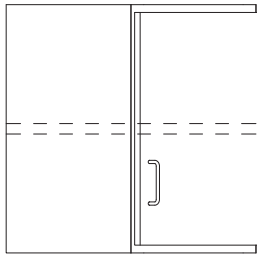
Cat. No.		Length	
12" Deep	16" Deep	Group A	Group B
5252	5262	30"	30"
5254	5264	35 1/4"	36"
5256	5266	41 1/4"	42"
5258	5268	47 1/4"	48"

Wood Wall Cabinets



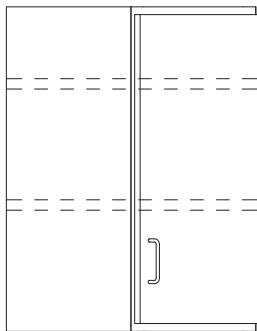
- Wall Cabinets vary in depth and width, see part number tables below.
- If the wall cabinet has a shelf, it is a full depth adjustable shelf.

23 7/8" High Wall Cabinet - Corner Solid Door Cabinet



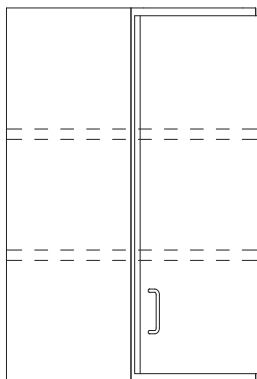
Cat. No.		
12" Deep	13" Deep	16" Deep
5275	5275A	5277

31 1/4" High Wall Cabinet - Corner Solid Door Cabinet



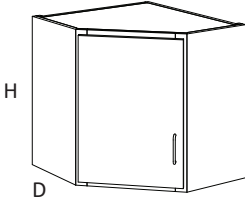
Cat. No.		
12" Deep	13" Deep	16" Deep
5276	5276A	5278

36" High Wall Cabinet - Corner Solid Door Cabinet



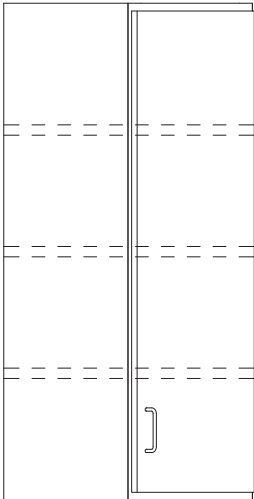
Cat. No.	
12" Deep	13" Deep
5292	5293

Wood Wall Cabinets



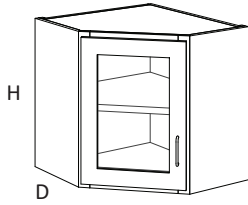
- Wall Cabinets vary in depth and width, see part number tables below.
- If the wall cabinet has a shelf, it is a full depth adjustable shelf.

48" High Wall Cabinet - Corner Solid Door Cabinet



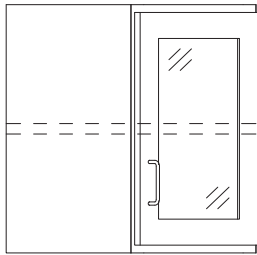
Cat. No.	
12" Deep	16" Deep
5284	5286

Wood Wall Cabinets



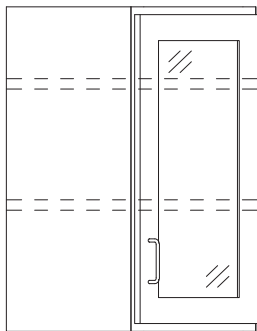
- Wall Cabinets vary in depth and width, see part number tables below.
- If the wall cabinet has a shelf, it is a full depth adjustable shelf.

23 7/8" High Wall Cabinet - Corner Solid Door Cabinet



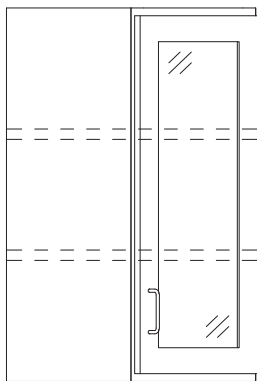
Cat. No.		
12" Deep	13" Deep	16" Deep
5279	5279A	5281

31 1/4" High Wall Cabinet - Corner Solid Door Cabinet



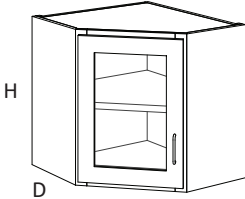
Cat. No.		
12" Deep	13" Deep	16" Deep
5280	5280A	5282

36" High Wall Cabinet - Corner Solid Door Cabinet



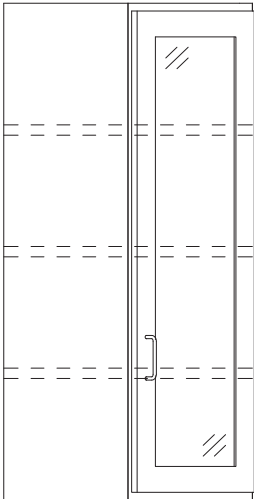
Cat. No.		
12" Deep	13" Deep	16" Deep
5295	5296	5297

Wood Wall Cabinets



- Wall Cabinets vary in depth and width, see part number tables below.
- If the wall cabinet has a shelf, it is a full depth adjustable shelf.

48" High Wall Cabinet - Corner Solid Door Cabinet



Cat. No.	
12" Deep	16" Deep
5288	5290

Wood Cabinet Accessories

Filler Panels



Filler Panels are 3/4" plywood, vertical grain with 3/4" removable blocking screwed to each end. Cut to fit at job site; filler panels can be joined to accommodate unequal corners.

Height						Width
12"	16 3/16"	23 3/4"	25"	29"	31 1/4"	
9012-152	9016-152	9024-152	9025-152	9029-152	9031-152	6"
9012-305	9016-305	9024-305	9025-305	9029-305	9031-305	12"
9012-609	9016-609	9024-609	9025-609	9029-609	9031-609	24"
9012-1199	9016-1199	9024-1199	9025-1199	9029-1199	9031-1199	47 1/4"

Height					Width
33"	35"	36"	48"	84"	
9033-152	9035-152	9036-152	9048-152	9084-152	6"
9033-305	9035-305	9036-305	9048-305	9084-305	12"
9033-609	9035-609	9036-609	9048-609	9084-609	24"
9033-1199	9035-1199	9036-1199	9048-1199 (half sheet)	9084-1199 (full sheet)	47 1/4"

Corner Filler for Base Cabinets and Tall Cabinets



Corner Fillers for Base Cabinets and Tall Cabinets are constructed from 3/4" plywood with vertical grain. Filler panels can be joined at job site to accommodate unequal corners. I.D. is 4 1/4" x 4 1/4".

Cat. No.	Height
9125	25"
9129	29"
9133	33"
9135	35"
9144	44"
9184	84"

Corner Filler for Wall Cabinets

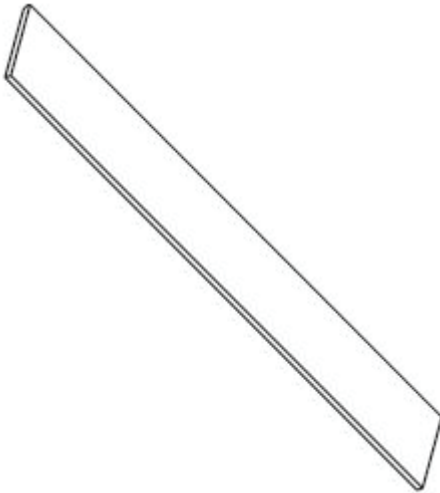


Corner Fillers for Wall Cabinets are constructed from 3/4" plywood with vertical grain. Filler panels can be joined at job site to accommodate unequal corners. I.D. is 3" x 3".

Cat. No.	Height
9112	12"
9118	16 3/16"
9124	23 3/4"
9130	31 1/4"
9136	36"
9148	48"

Wood Cabinet Accessories

Scribe Strips



Available only in sizes indicated. Select next largest size if measurement is not exact and cut to fit at the job site. Scribe Strips are solid hardwood oak or maple, 1/4" x 3" vertical grain.

Cat. No.	Length
9003-603	23 3/4"
9003-889	35"
9003-1220	48"
9003-2134	84"

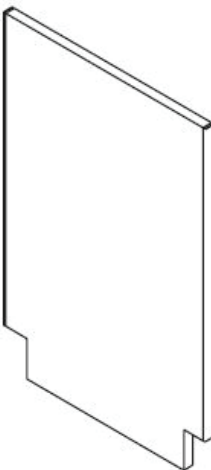
Single Faced Support Panels



Single Faced Counter Top Support Panel is 1" Wide.

Height				Depth
25"	29"	33"	35"	12" to 48"
9200-25	9200-29	9200-33	9200-35	12" to 48"

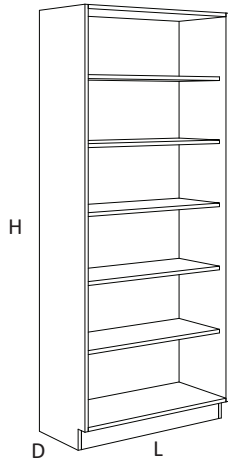
Double Faced Support Panels



Double Faced Counter Top Support Panel is 1" Wide.

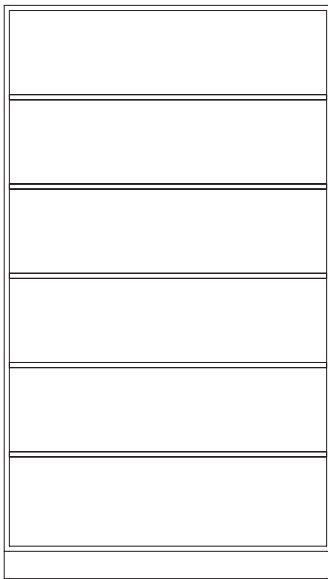
Height				Depth
25"	29"	33"	35"	12" to 48"
9202-25	9202-29	9202-33	9202-35	12" to 48"

Wood Tall Cabinets



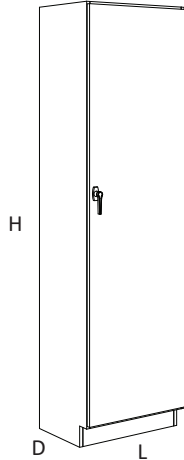
- Tall Cabinets include (4) 1" thick adjustable shelves and (1) 1" thick fixed center shelf.
- All Tall Cabinets are 84" tall.

Open Tall Cabinet



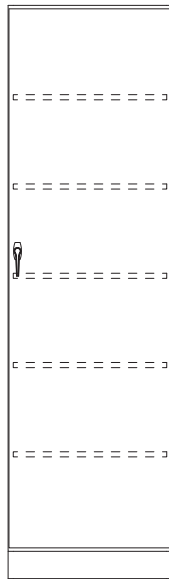
12" Deep	Cat. No.		Length	
	16" Deep	22 1/2" Deep	Group A	Group B
5623	5641	5659	18"	18"
5624	5642	5660	21"	21"
5626	5644	5662	24"	24"
5628	5646	5664	27"	27"
5630	5648	5666	30"	30"
5631	5649	5667	33"	33"
5632	5650	5668	35 1/4"	36"
5633	5651	5669	39"	39"
5634	5652	5670	41 1/4"	42"
5635	5653	5671	45"	45"
5636	5654	5672	47 1/4"	48"

Wood Tall Cabinets



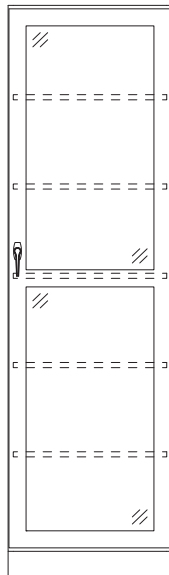
- Tall Cabinets include (4) 1" thick adjustable shelves and (1) 1" thick fixed center shelf.
- All Tall Cabinets are 84" tall.

Solid Swinging Door Tall Cabinet



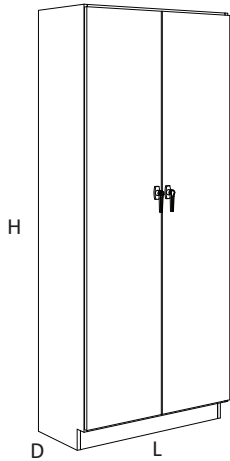
Cat. No.		Length	
16" Deep	22 1/2" Deep	Group A	Group B
5600	5606	21"	21"
5602	5608	24"	24"
5604	5610	27"	27"

Framed Glass Swinging Door Tall Cabinet



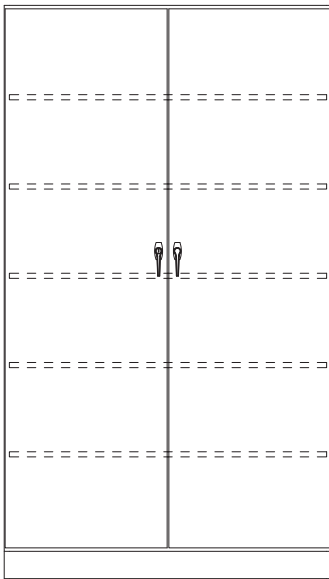
Cat. No.		Length	
16" Deep	22 1/2" Deep	Group A	Group B
5612	5618	21"	21"
5614	5620	24"	24"
5616	5622	27"	27"

Wood Tall Cabinets



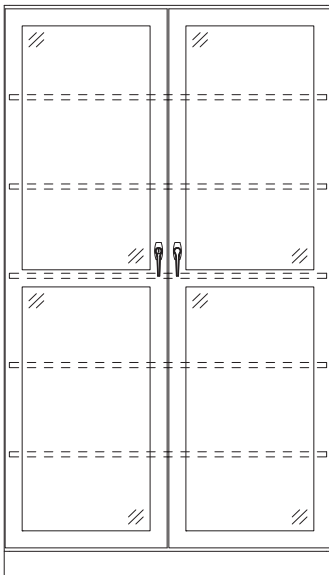
- Tall Cabinets include (4) 1" thick adjustable shelves and (1) 1" thick fixed center shelf.
- All Tall Cabinets are 84" tall.

Solid Swinging Door Tall Cabinet



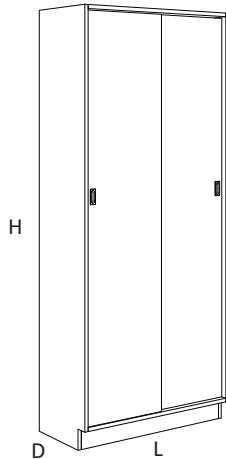
Cat. No.		Length	
16" Deep	22 1/2" Deep	Group A	Group B
5678	5686	30"	30"
5679	5687	33"	33"
5680	5688	35 1/4"	36"
5681	5689	39"	39"
5682	5690	41 1/4"	42"
5683	5691	45"	45"
5684	5692	47 1/4"	48"

Framed Glass Swinging Door Tall Cabinet



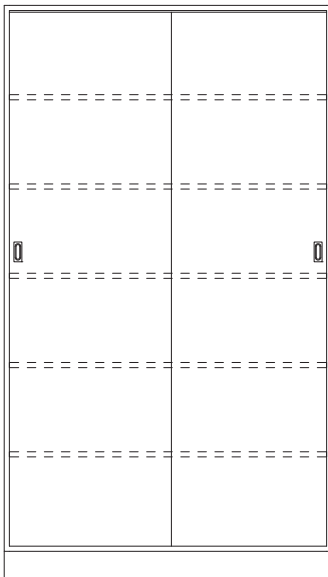
Cat. No.		Length	
16" Deep	22 1/2" Deep	Group A	Group B
5714	5722	30"	30"
5715	5723	33"	33"
5716	5724	35 1/4"	36"
5717	5725	39"	39"
5718	5726	41 1/4"	42"
5719	5727	45"	45"
5720	5728	47 1/4"	48"

Wood Tall Cabinets



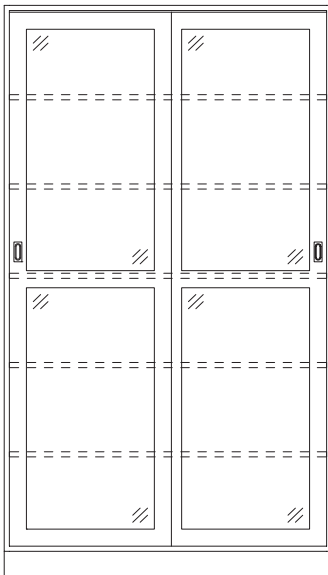
- Tall Cabinets include (4) 1" thick adjustable shelves and (1) 1" thick fixed center shelf.
- All Tall Cabinets are 84" tall.

Solid Sliding Door Tall Cabinet



16" Deep	Cat. No.		Length	
	22 1/2" Deep	Group A	Group B	
5694	5704	35 1/4"	36"	
5696	5706	41 1/4"	42"	
5698	5708	47 1/4"	48"	

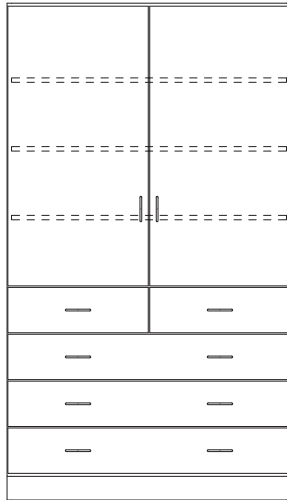
Framed Glass Sliding Door Tall Cabinet



16" Deep	Cat. No.		Length	
	22 1/2" Deep	Group A	Group B	
5730	5740	35 1/4"	36"	
5732	5742	41 1/4"	42"	
5734	5744	47 1/4"	48"	

Wood Tall General Storage & Display Cases

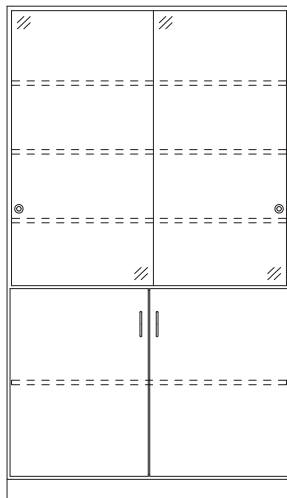
Storage Cabinet



- This storage cabinet includes (3) adjustable shelves in upper section.
- The lower section includes (5) drawers: (2) half width drawers and (3) full width drawers.
- Cabinets are 22 1/2" deep and 84" tall.

Cat. No.	Group A	Group B
8390	35 1/4"	36"
5881	47 1/4"	48"

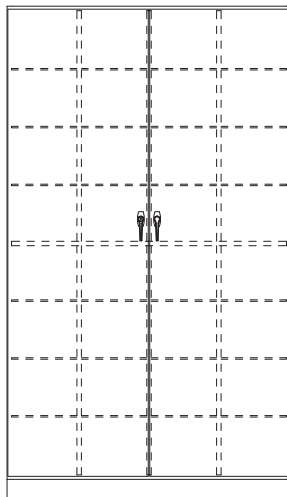
Storage Cabinet and Display Case



- This storage cabinet includes (3) adjustable shelves behind glass sliding doors in upper section.
- The lower section includes (1) adjustable shelf behind solid wood swinging doors.
- Cabinet is 22 1/2" deep and 84" tall.

Cat. No.	Group A	Group B
5882	35 1/4"	N/A
5884	47 1/4"	N/A

Compartment Storage Cabinet

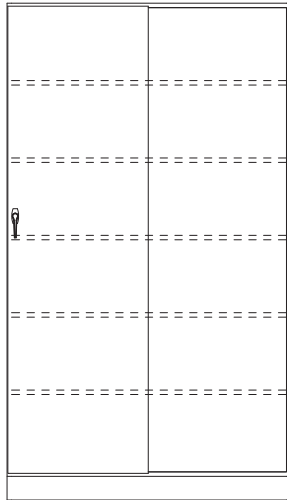


- This storage cabinet includes horizontal and vertical dividers that make (32) equal compartments.
- Cabinet is 22 1/2" deep and 84" tall.

Cat. No.	Group A	Group B
5886	47 1/4"	48"

Wood Tall General Storage & Display Cases

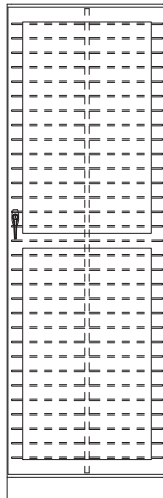
Corner Storage Cabinet



- This storage cabinet includes (4) adjustable shelves and (1) fixed shelf.
- Cabinet is 22 1/2" deep and 84" tall.

Cat. No.	Type	Group A	Group B
5891	Right Hand	47 1/4"	48"
5893	Left Hand	47 1/4"	48"

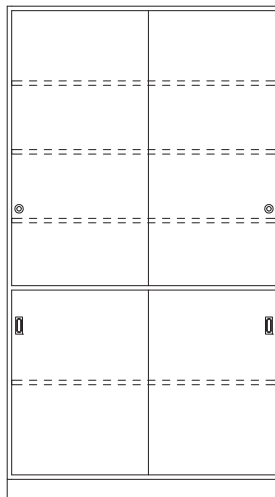
Notebook Cabinet



- This storage cabinet includes (72) compartments that are 12 3/8" wide x 1 7/8" tall x 10 3/4" deep.

Cat. No.	Dimensions
6926	27" W x 84" H x 16" D

Illuminated Display Cabinet

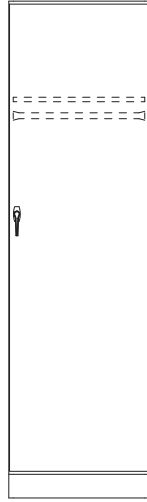


- This storage cabinet includes (2) adjustable plate glass shelves with center shelf bracket; (1) single tube fluorescent light fixture with switch (bulbs not included).
- There are 2 plate glass sliding doors. The lower section has solid wood sliding doors.

Cat. No.	Dimensions
6966	41 1/4" W x 84" H x 22 1/2" D
6968	47 1/4" W x 84" H x 22 1/2" D
6964	58 1/4" W x 84" H x 22 1/2" D

Wood Tall General Storage & Display Cases

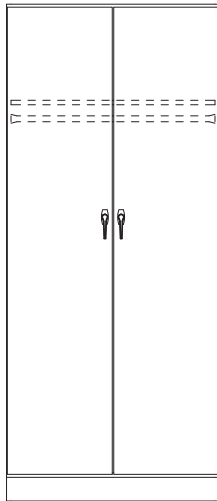
Wardrobe Cabinet



- This storage cabinet includes (1) hanger rod, (1) fixed shelf and a 3-point latching handle.

Cat. No.	Dimensions
5850	24" W x 84" H x 22 1/2" D

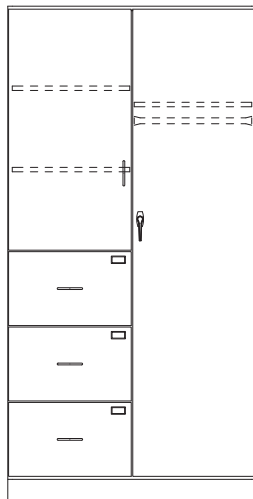
Wardrobe Cabinet



- This storage cabinet includes (1) hanger rod, (1) fixed shelf and a 3-point latching handle. Cabinet is 22 1/2" deep and 84" tall.

Cat. No.	Group A	Group B
5860	35 1/4"	36"
5862	41 1/4"	42"
5864	47 1/4"	48"

Wardrobe and Storage Cabinet

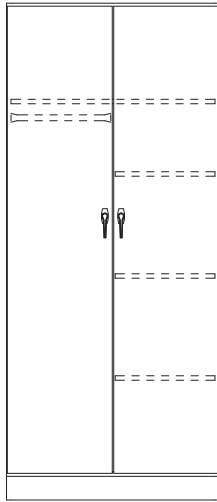


- This storage cabinet includes (1) hanger rod, (1) fixed shelf, (2) adjustable shelves, (3) file drawers with metal slides, file follower and label holder.
- The door is equipped with a 10" x 12" mirror and 3-point latching system.
- Cabinet is 22 1/2" deep and 84" tall.

Cat. No.	Group A	Group B
5872	41 1/4"	42"

Wood Tall General Storage & Display Cases

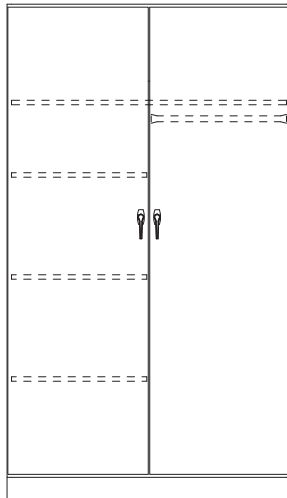
Wardrobe and Storage Cabinet



- This storage cabinet includes (1) fixed shelf, (3) adjustable shelves, (1) hanger rod, 3-point latching handle.
- Wardrobe is on the left side.
- Cabinet is 22 1/2" deep and 84" tall.

Cat. No.	Group A	Group B
5866	35 1/4"	36"
5868	41 1/4"	42"
5870	47 1/4"	48"

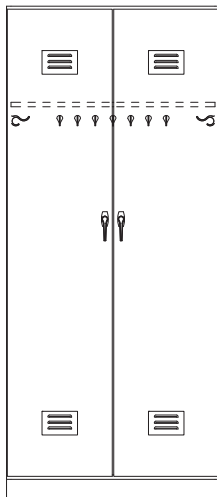
Wardrobe and Supply Cabinet



- This storage cabinet includes (1) hanger rod, (1) fixed shelf, (3) adjustable shelves, and 3-point locking handle.
- Wardrobe on the right.
- Cabinet is 22 1/2" deep and 84" tall.

Cat. No.	Group A	Group B
6954-B	35 1/4"	36"
6954-A	41 1/4"	42"
6954	47 1/4"	48"

Apron Storage Cabinet

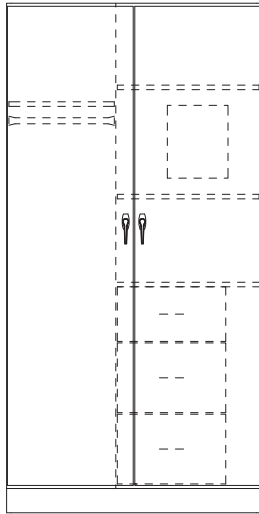


- This storage cabinet includes (1) fixed shelf, (15) double prong side mount hooks, vented doors, and 3-point latching handle.
- Cabinet is 22 1/2" deep and 84" tall.

Cat. No.	Group A	Group B
5876	35 1/4"	36"

Wood Tall General Storage & Display Cases

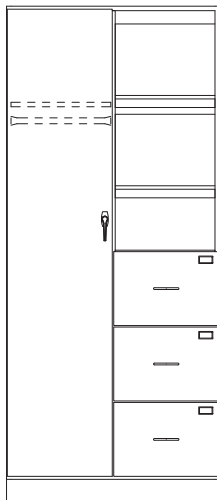
Wardrobe and Supply Cabinet



- This storage cabinet includes (1) hanger rod, (1) fixed shelf, (2) file drawers, (1) open compartment, (1) 10" x 12" mirror, (1) pin tray and towel bar on right hand door, doors equipped with 3-point locking system.
- Cabinet is 22 1/2" deep and 84" tall.

Cat. No.	Group A	Group B
6955-A	35 1/4"	36"
6955-B	41 1/4"	42"
6955-C	47 1/4"	48"

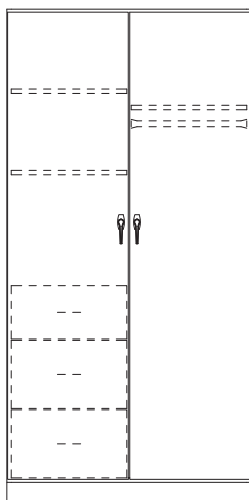
Instructor's Cabinet



- This storage cabinet includes (3) file drawers with metal slides, and label holders.
- Open compartment above for magazine display.
- Left wardrobe compartment includes (1) fixed shelf and (1) hanger rod.
- The door is equipped with 3-point locking handle.
- Cabinet is 22 1/2" deep and 84" tall.

Cat. No.	Group A	Group B
6957	35 1/4"	36"
6958	41 1/4"	42"
6959	47 1/4"	48"

Wardrobe and Supply Cabinet



- This storage cabinet includes (1) hanger, (1) fixed shelf, (2) adjustable shelves, (2) large file drawers, (1) shallow drawer, (1) 10" x 12" mirror, pin tray and towel bar on right hand door, door equipped with a 3-point locking system.
- Cabinet is 22 1/2" deep and 84" tall.

Cat. No.	Group A	Group B
6961	35 1/4"	36"
6960	41 1/4"	42"
6961-A	47 1/4"	48"

Same as above except instead of drawer there is a tote tray compartment

6963	35 1/4"	36"
6962	41 1/4"	42"
6961-B	47 1/4"	48"

Tall Tote Tray Wood Storage Cabinets

Tote tray storage units over 47 1/4" wide, will be divided into two or more separate cases. Shelves are 1" thick and adjustable, except for a fixed center shelf. Standard units contain no vertical dividers between trays, unless structurally required. If specified, tray compartment dividers provided will be chrome plated 3/16" diameter bent wire.

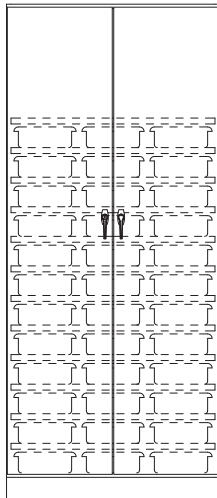
Plastic Tote Tray



Made of sturdy high impact plastic with high gloss finish - unbreakable in normal use. Smooth surface resists soiling and is easily cleaned. Resistance of inorganic chemicals. Light weight and easy to handle. Handy aluminum card holder is standard on trays.

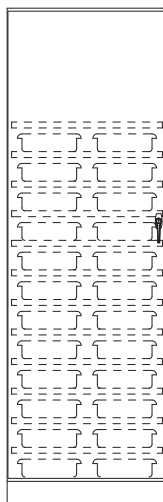
Cat. No.	Dimensions
6339	16" W x 12" D x 4" H
6340	16 3/8" W x 11" D x 2 1/2" H
6342	16 5/8" W x 13 1/8" D x 3 1/2" H
6344	19" W x 10 1/2" D x 3 1/2" H
6346	19" W x 13 3/4" x 3 1/2" H

Tote Tray Cabinet



- This Tote Tray Cabinet includes (1) upper compartment, (11) adjustable shelves, (1) fixed shelf and plastic tote trays.
- The door has a 3-point latching handle.
- Cabinet is 22 1/2" deep and 84 " tall.

Cabinet Cat. No.	Group A	Group B	Tote Cat. No.	# of Totes
5895	35 1/4"	36"	6344	36
5896	41 1/4"	42"	6346	36
5899	47 1/4"	48"	6344	48

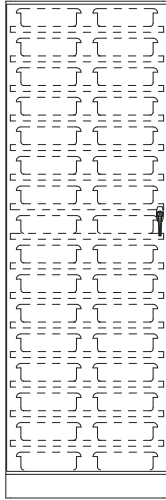


- This Tote Tray Cabinet includes (11) adjustable shelves, (1) fixed shelf, (1) storage compartment and plastic tote trays.
- The door has a 3-point latching handle.

Cabinet Cat. No.	Cabinet Dimensions	Tote Cat. No.	# of Totes
6348	27" W x 84" H x 22 1/2" D	6340	24

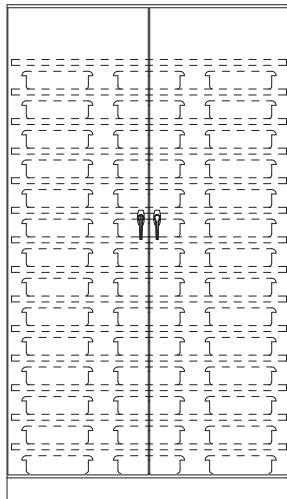
Tall Tote Tray Wood Storage Cabinets

Tote Tray Cabinet



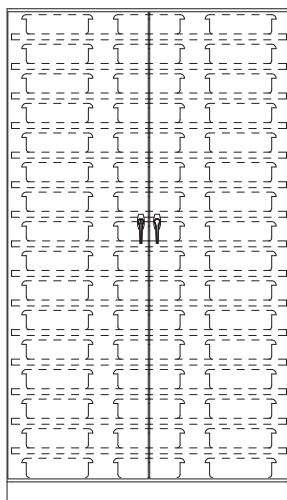
- This Tote Tray Cabinet includes (14) adjustable shelves, (1) fixed shelf and plastic tote trays.
- The door has a 3-point latching handle.

Cabinet Cat. No.	Cabinet Dimensions	Tote Cat. No.	# of Totes
6350	27" W x 84" H x 22 1/2" D	6340	32



- This Tote Tray Cabinet includes (13) adjustable shelves, (1) fixed shelf and plastic tote trays.
- The door has a 3-point latching handle.
- Cabinet is 22 1/2" deep and 84" tall.

Cabinet Cat. No.	Group A	Group B	Tote Cat. No.	# of Totes
6351	47 1/4"	48"	6339	42

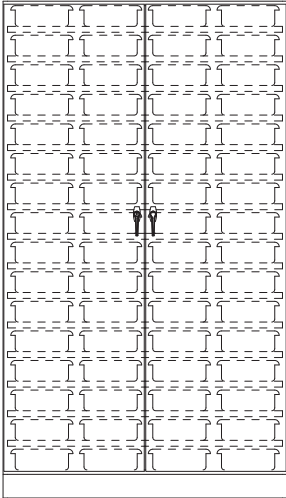


- This Tote Tray Cabinet includes (14) adjustable shelves, (1) fixed shelf and plastic tote trays.
- The door has a 3-point latching handle.
- Cabinet is 22 1/2" deep and 84" tall.

Cabinet Cat. No.	Group A	Group B	Tote Cat. No.	# of Totes
6353	41 1/4"	42"	6342	48
6352	47 1/4"	48"	6342	48

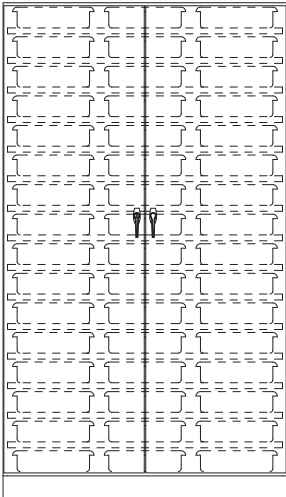
Tall Tote Tray Wood Storage Cabinets

Tote Tray Cabinet



- This Tote Tray Cabinet includes (14) adjustable shelves, (1) fixed shelf and plastic tote trays.
- The door has a 3-point latching handle.
- Cabinet is 22 1/2" deep and 84" tall.

Cabinet Cat. No.	Group A	Group B	Tote Cat. No.	# of Totes
6356	47 1/4"	48"	6344	64



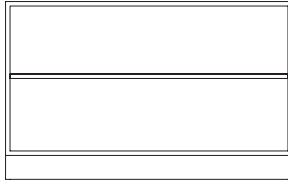
- This Tote Tray Cabinet includes (14) adjustable shelves, (1) fixed shelf and plastic tote trays.
- The door has a 3-point latching handle.
- Cabinet is 22 1/2" deep and 84" tall.

Cabinet Cat. No.	Group A	Group B	Tote Cat. No.	# of Totes
6358	35 1/4"	36"	6344	48
6357	47 1/4"	48"	6346	48

Wood Bookcases

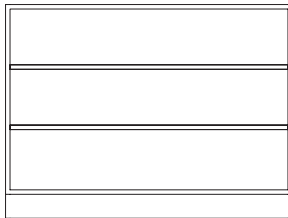
Bookcases are built of hardwood plywood with all exposed edges solid lumber banded. Adjustable shelves are 1" thick. Widths and depths shown below are case dimensions. Tops must be specified. We do not recommend book storage in cases over 36" W.

Bookcase - 29" Tall



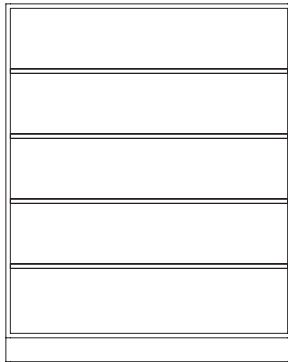
Cat. No.		Width	
12" Deep	16" Deep	Group A	Group B
7730	7736	35 1/4"	36"
7732	7738	41 1/4"	42"
7734	7740	47 1/4"	48"

Bookcase - 35" Tall



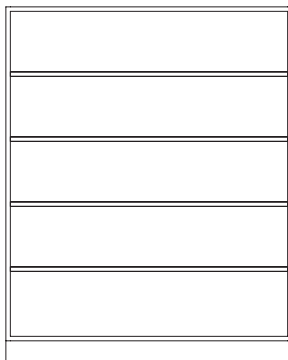
Cat. No.		Width	
12" Deep	16" Deep	Group A	Group B
7742	7748	35 1/4"	36"
7744	7750	41 1/4"	42"
7746	7752	47 1/4"	48"

Bookcase - 41 1/4" Tall



Cat. No.		Width	
12" Deep	16" Deep	Group A	Group B
7754	7760	35 1/4"	36"
7756	7762	41 1/4"	42"
7758	7764	47 1/4"	48"

Bookcase - 59 1/4" Tall

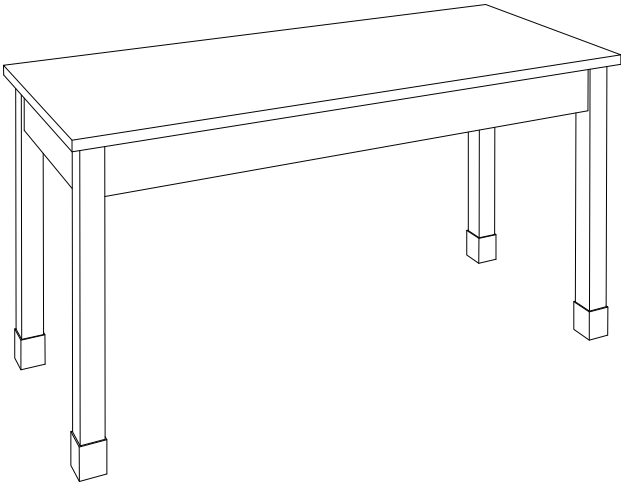


Cat. No.		Width	
12" Deep	16" Deep	Group A	Group B
7766	7772	35 1/4"	36"
7768	7774	41 1/4"	42"
7770	7776	47 1/4"	48"

Wood Frame Tables

Plain Wood Frame Tables have 4 7/8" tall apron rails. They have 2 1/4" x 2 1/4" legs that includes a black trim boot at the base of each leg. 1" thick work surface of specified material. Telescoping leg comes standard with adjustable glides. Add suffix "AJ" to add adjustable glides to a standard table.

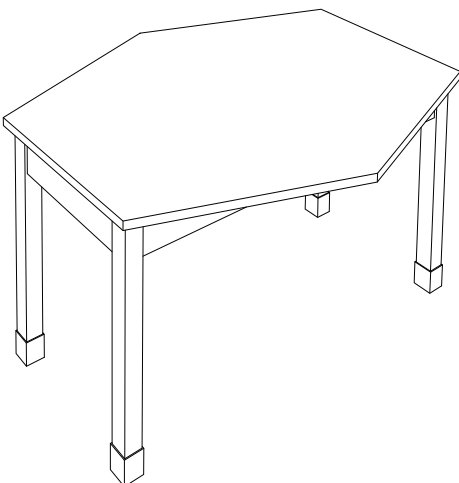
Plain Wood Frame Tables



30" High	36" High	Telescoping Leg	Dimensions
6500	6500-36	6500-A	48" W x 21" D
6502	6502-36	6502-A	48" W x 24" D
6504	6504-36	6504-A	54" W x 21" D
6506	6506-36	6506-A	54" W x 24" D
6508	6508-36	6508-A	60" W x 21" D
6510	6510-36	6510-A	60" W x 24" D
6512	6512-36	6512-A	60" W x 30" D
6514	6514-36	6514-A	60" W x 36" D
6516	6516-36	6516-A	60" W x 42" D
6518	6518-36	6518-A	64" W x 24" D
6520	6520-36	6520-A	64" W x 30" D
6522	6522-36	6522-A	64" W x 36" D
6524	6524-36	6524-A	64" W x 42" D
6526	6526-36	6526-A	72" W x 24" D
6528	6528-36	6528-A	72" W x 30" D
6530	6530-36	6530-A	72" W x 36" D
6532	6532-36	6532-A	72" W x 42" D
6534	6534-36	6534-A	84" W x 24" D
6536	6536-36	6536-A	84" W x 30" D
6538	6538-36	6538-A	84" W x 36" D
6540	6540-36	6540-A	84" W x 42" D
6542	6542-36	6542-A	96" W x 24" D
6546	6546-36	6546-A	96" W x 30" D
6550	6550-36	6550-A	96" W x 36" D
6554	6554-36	6554-A	96" W x 42" D

Four Student Table

Plain Wood Frame Tables have 4 7/8" tall apron rails. They have 2 1/4" x 2 1/4" legs that includes a black trim boot at the base of each leg. 1" thick work surface of specified material.

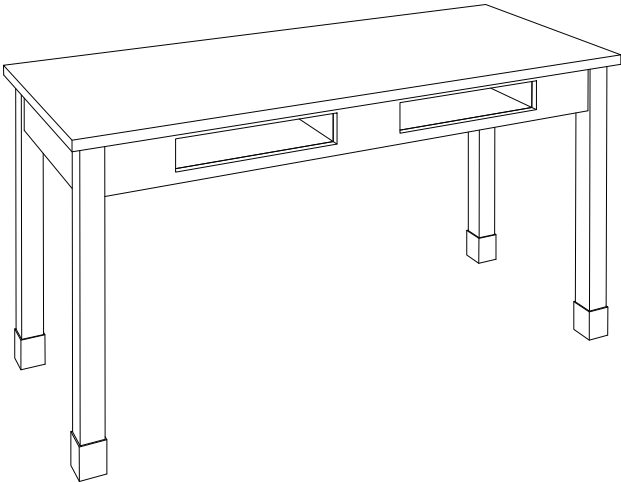


30" High	36" High	Telescoping Leg	Dimensions
6184	6184-36	6184-A	24-42" W x 54" D

Wood Frame Tables

Wood Frame Tables with Compartments have 4 7/8" tall apron rails. They have 2 1/4" x 2 1/4" legs that includes a black trim boot at the base of each leg. 1" thick work surface of specified material. Telescoping leg comes standard with adjustable glides. Add suffix "AJ" to add adjustable glides to a standard table.

Wood Frame Table with Compartments

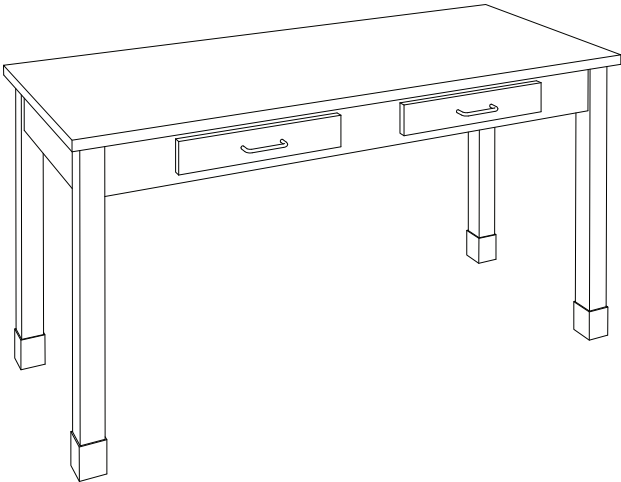


30" High	36" High	Telescoping Leg	No. of Compartments	Dimensions
6500C	6500C-36	6500C-A	2	48" W x 21" D
6502C	6502C-36	6502C-A	2	48" W x 24" D
6504C	6504C-36	6504C-A	2	54" W x 21" D
6506C	6506C-36	6506C-A	2	54" W x 24" D
6508C	6508C-36	6508C-A	2	60" W x 21" D
6510C	6510C-36	6510C-A	2	60" W x 24" D
6512C	6512C-36	6512C-A	2	60" W x 30" D
6514C	6514C-36	6514C-A	4	60" W x 36" D
6516C	6516C-36	6516C-A	4	60" W x 42" D
6518C	6518C-36	6518C-A	2	64" W x 24" D
6520C	6520C-36	6520C-A	2	64" W x 30" D
6522C	6522C-36	6522C-A	4	64" W x 36" D
6524C	6524C-36	6524C-A	4	64" W x 42" D
6526C	6526C-36	6526C-A	2	72" W x 24" D
6528C	6528C-36	6528C-A	2	72" W x 30" D
6530C	6530C-36	6530C-A	4	72" W x 36" D
6532C	6532C-36	6532C-A	4	72" W x 42" D
6534C	6534C-36	6534C-A	3	84" W x 24" D
6536C	6536C-36	6536C-A	3	84" W x 30" D
6538C	6538C-36	6538C-A	6	84" W x 36" D
6540C	6540C-36	6540C-A	6	84" W x 42" D
6542C	6542C-36	6542C-A	4	96" W x 24" D
6544C	6544C-36	6544C-A	3	96" W x 24" D
6546C	6546C-36	6546C-A	4	96" W x 30" D
6548C	6548C-36	6548C-A	3	96" W x 30" D
6550C	6550C-36	6550C-A	8	96" W x 36" D
6552C	6552C-36	6552C-A	6	96" W x 36" D
6554C	6554C-36	6554C-A	8	96" W x 42" D
6556C	6556C-36	6556C-A	6	96" W x 42" D

Wood Frame Tables

Wood Frame Tables with Drawers have 4 7/8" tall apron rails. They have 2 1/4" x 2 1/4" legs that includes a black trim boot at the base of each leg. 1" thick work surface of specified material. Telescoping leg comes standard with adjustable glides. Add suffix "AJ" to add adjustable glides to a standard table.

Wood Frame Table with Drawers



30" High	36" High	Telescoping Leg	No. of Drawers	Dimensions
6500D	6500D-36	6500D-A	2	48" W x 21" D
6502D	6502D-36	6502D-A	2	48" W x 24" D
6504D	6504D-36	6504D-A	2	54" W x 21" D
6506D	6506D-36	6506D-A	2	54" W x 24" D
6508D	6508D-36	6508D-A	2	60" W x 21" D
6510D	6510D-36	6510D-A	2	60" W x 24" D
6512D	6512D-36	6512D-A	2	60" W x 30" D
6514D	6514D-36	6514D-A	4	60" W x 36" D
6516D	6516D-36	6516D-A	4	60" W x 42" D
6518D	6518D-36	6518D-A	2	64" W x 24" D
6520D	6520D-36	6520D-A	2	64" W x 30" D
6522D	6522D-36	6522D-A	4	64" W x 36" D
6524D	6524D-36	6524D-A	4	64" W x 42" D
6526D	6526D-36	6526D-A	2	72" W x 24" D
6528D	6528D-36	6528D-A	2	72" W x 30" D
6530D	6530D-36	6530D-A	4	72" W x 36" D
6532D	6532D-36	6532D-A	4	72" W x 42" D
6534D	6534D-36	6534D-A	3	84" W x 24" D
6536D	6536D-36	6536D-A	3	84" W x 30" D
6538D	6538D-36	6538D-A	6	84" W x 36" D
6540D	6540D-36	6540D-A	6	84" W x 42" D
6542D	6542D-36	6542D-A	4	96" W x 24" D
6544D	6544D-36	6544D-A	3	96" W x 24" D
6546D	6546D-36	6546D-A	4	96" W x 30" D
6548D	6548D-36	6548D-A	3	96" W x 30" D
6550D	6550D-36	6550D-A	8	96" W x 36" D
6552D	6552D-36	6552D-A	6	96" W x 36" D
6554D	6554D-36	6554D-A	8	96" W x 42" D
6556D	6556D-36	6556D-A	6	96" W x 42" D

Wood Frame Tables

Wood Frame Tables with Pedestal Legs have 4 7/8" tall apron rails. Pedestal legs equipped with adjustable glides. This table includes tote tray glides (tote trays are not included). 1" thick work surface of specified material.

Wood Frame Table with Pedestal Legs



30" High	36" High	Telescoping Leg	No. of Compartments	Dimensions
6506G	6506G-36	6506G-A	2	54" W x 24" D
6510G	6510G-36	6510G-A	2	60" W x 24" D
6512G	6512G-36	6512G-A	2	60" W x 30" D
6514G	6514G-36	6514G-A	4	60" W x 36" D
6516G	6516G-36	6516G-A	4	60" W x 42" D
6518G	6518G-36	6518G-A	2	64" W x 24" D
6520G	6520G-36	6520G-A	2	64" W x 30" D
6522G	6522G-36	6522G-A	4	64" W x 36" D
6524G	6524G-36	6524G-A	4	64" W x 42" D
6526G	6526G-36	6526G-A	2	72" W x 24" D
6528G	6528G-36	6528G-A	2	72" W x 30" D
6530G	6530G-36	6530G-A	4	72" W x 36" D
6532G	6532G-36	6532G-A	4	72" W x 42" D
6534G	6534G-36	6534G-A	3	84" W x 24" D
6536G	6536G-36	6536G-A	3	84" W x 30" D
6538G	6538G-36	6538G-A	6	84" W x 36" D
6540G	6540G-36	6540G-A	6	84" W x 42" D
6542G	6542G-36	6542G-A	4	96" W x 24" D
6544G	6544G-36	6544G-A	3	96" W x 24" D
6546G	6546G-36	6546G-A	4	96" W x 30" D
6548G	6548G-36	6548G-A	3	96" W x 30" D
6550G	6550G-36	6550G-A	8	96" W x 36" D
6552G	6552G-36	6552G-A	6	96" W x 36" D
6554G	6554G-36	6554G-A	8	96" W x 42" D
6556G	6556G-36	6556G-A	6	96" W x 42" D

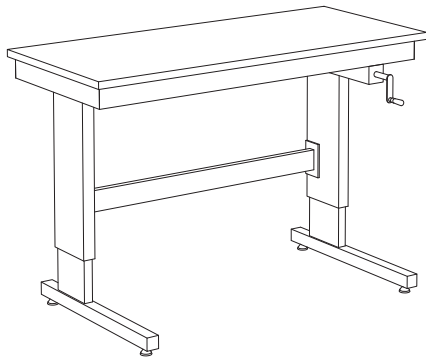
Wood Adjustable Tables with Hand Crank

These tables can be used by a wheelchair bound student, as a basic classroom table or as a satellite table with tri-fascia service islands. Unit allows great laboratory/classroom flexibility, since it can be adjusted in height for a variety of purposes, or used as a basic, classroom table that meets ADA guidelines. Tables will support a 500 lbs. static load. Crank mechanism will lift a maximum load of 250 lbs including top and frame.

The hand-crank adjustable pedestal is constructed from anodized aluminum. The pedestal has an integral stabilizing rail. Pedestal feet are equipped with four glides. The table is shipped knocked down, and handle can be mounted to the left or right at the time of assembly. The folding handle can easily be stored inside the crank box when not in use.

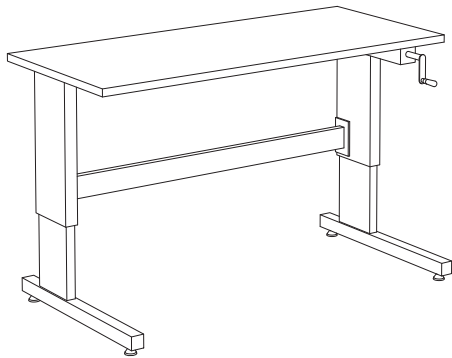
Work surface material is 1" thick Rheutex.

Tables with Wood Frames



Cat. No.	Width	Width between feet	Depth	Height Adjustment
8718	48"	36 1/2"	24"	31" - 42"
8720	48"	36 1/2"	30"	31" - 42"
8722	54"	47"	24"	31" - 42"
8724	54"	47"	30"	31" - 42"
8726	60"	47"	24"	31" - 42"
8728	60"	47"	30"	31" - 42"
8730	64"	47"	24"	31" - 42"
8732	64"	47"	30"	31" - 42"

Tables without Wood Frames



Cat. No.	Width	Width between feet	Depth	Height Adjustment
8734	48"	39"	24"	28" - 39"
8736	48"	39"	30"	28" - 39"
8738	54"	47"	24"	28" - 39"
8740	54"	47"	30"	28" - 39"
8742	60"	47"	24"	28" - 39"
8744	60"	47"	30"	28" - 39"
8746	64"	47"	24"	28" - 39"
8748	64"	47"	30"	28" - 39"

Wood Knee Space Components

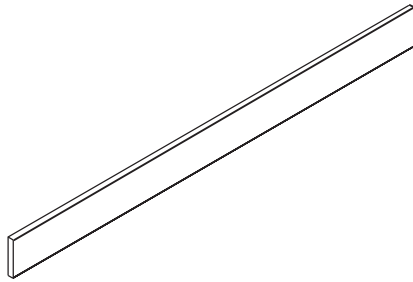
Frames that are 22" deep are for use with 24" deep work surfaces. Frames that are 28" deep are for use with 30" deep work surfaces. All rails are 4 7/8" tall.

Single Leg



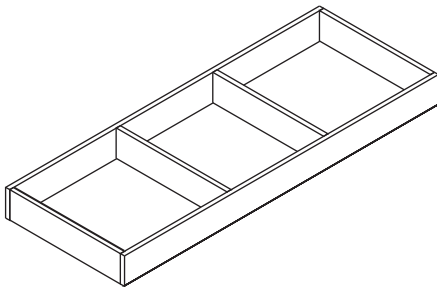
Cat. No.	Height
6970	29"
6972	35"

Plain Rail



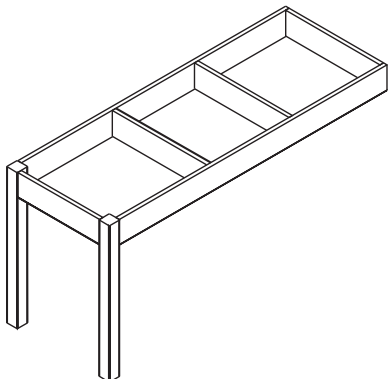
Cat. No.	Height	Length
6974	4 7/8"	Specify

Plain Frame



Cat. No.	Depth	Length (Specify)
6976	22"	24" to 96"
6978	28"	24" to 96"

Plain Frame with Legs

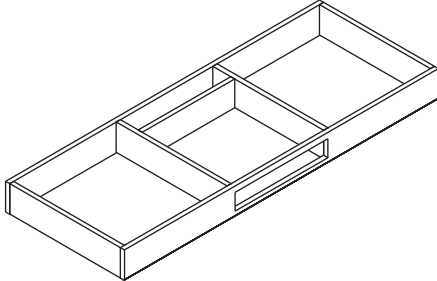


Cat. No.	Depth	Height (Specify)		Length (Specify)
		Left Legs		
6980	22"	29" or 35"		24" to 96"
6982	28"	29" or 35"		24" to 96"
Right Legs				
6984	22"	29" or 35"		24" to 96"
6986	28"	29" or 35"		24" to 96"

Wood Knee Space Components

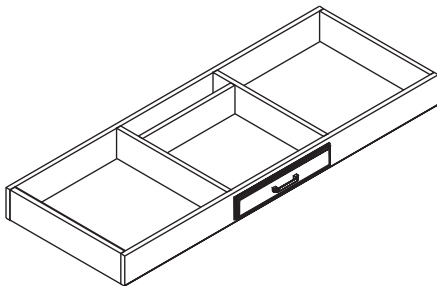
Frames that are 22" deep are for use with 24" deep work surfaces. Frames that are 28" deep are for use with 30" deep work surfaces. All rails are 4 7/8" tall.

Frame with Compartments



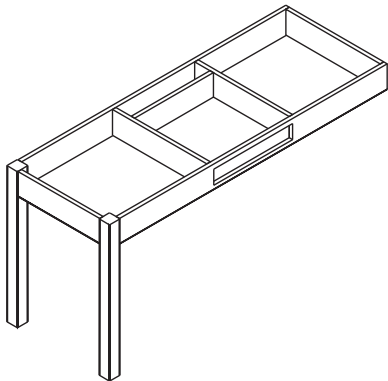
Cat. No.	Depth	Length (Specify)	No. of Compartments
6988	22"	24" to 96"	1
6990	28"	24" to 96"	1
6992	22"	48" to 96"	2
6994	28"	48" to 96"	2

Frame with Drawers



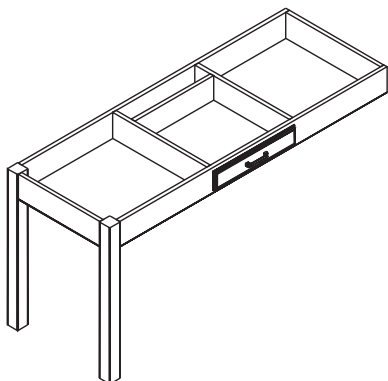
Cat. No.	Depth	Length (Specify)	No. of Drawers
7012	22"	24" to 96"	1
7014	28"	24" to 96"	1
7016	22"	48" to 96"	2
7018	28"	48" to 96"	2

Frame with Compartments and Legs



Cat. No.	Depth	Length (Specify)	No. of Compartments
Left Legs			
6996	22"	24" to 96"	1
6998	28"	24" to 96"	1
7000	22"	48" to 96"	2
7002	28"	48" to 96"	2
Right Legs			
7004	22"	24" to 96"	1
7006	28"	24" to 96"	1
7008	22"	48" to 96"	2
7010	28"	48" to 96"	2

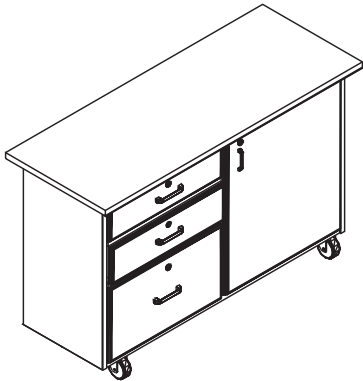
Frame with Drawers and Legs



Cat. No.	Depth	Length (Specify)	No. of Drawers
Left Legs			
7020	22"	24" to 96"	1
7022	28"	24" to 96"	1
7024	22"	48" to 96"	2
7026	28"	48" to 96"	2
Right Legs			
7028	22"	24" to 96"	1
7030	28"	24" to 96"	1
7032	22"	48" to 96"	2
7034	28"	48" to 96"	2

Wood Science and Laboratory Furniture

Mobile Instructor's Desks

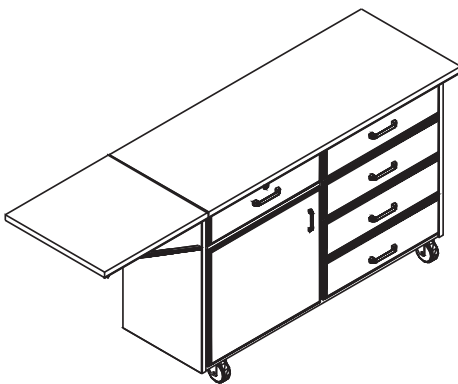


Equipment:

- (1) pull out writing slide
- (1) adjustable shelf
- (4) master keyed locks
- (4) heavy duty casters: (2) rigid and (2) swivel with locks
- 1" thick work surface

Catalog Number: 7700

Dimensions of Components	Width	Height	Depth
Overall	48"	35 3/4"	24"
Base Cabinet	41 1/4"	-	21"

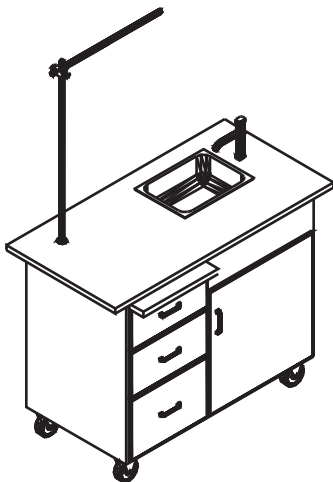


Equipment:

- (1) adjustable shelf
- (1) master keyed lock
- (4) heavy duty casters: (2) rigid and (2) swivel with locks
- 1" thick work surface and drop leaf

Catalog Number: 7702

Dimensions of Components	Width	Height	Depth
Overall	65 1/4"	35 3/4"	24"
Base Cabinet	47 1/4"	-	21"
Drop Leaf	16"	-	-



Equipment:

- (1) plunger type water pump
- (1) 20' extension cord connected to (1) duplex AC receptacle
- (2) 1 gallon polyethylene bottles with connections for water and waste
- (1) aluminum upright rod
- (2) Greenlaw arm
- (1) rod socket
- (4) master keyed locks
- (4) heavy duty rubber tired casters: (2) ridge and (2) swivel with locks
- 1" thick work surface - material to be specified

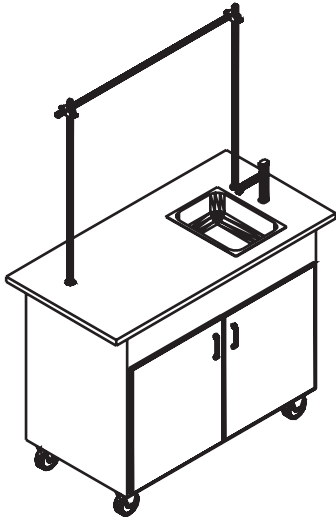
Catalog Number: 6000

Dimensions of Components	Width	Height	Depth
Overall	48"	35 3/4"	24"
Base Cabinet (O.D.)	41 1/4"	31"	22"
Cupboard (I.D.)	22 1/2"	23 1/4"	19 3/4"
File Drawer (I.D.)	14 1/2"	10 1/2"	17"
(2) Drawers (I.D.)	14 1/2"	6 1/8"	17"
Writing Slide	16 3/8"	-	16 1/4"
Stainless Steel Sink (I.D.) (Sink depth: 7 1/2")	14"	-	10"

Catalog Number: 6002

Same as 6000 except equipped with a 4" hemispherical epoxy cup sink

Mobile Instructor's Desks

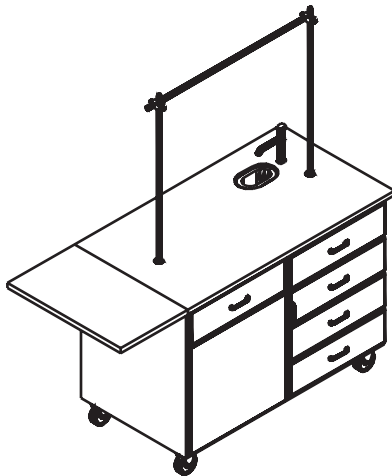


Equipment:

- (1) plunger type water pump
- (1) 20' extension cord connected to one duplex AC receptacle
- (2) 1 gallon polyethylene bottles with connections for water and waste
- (2) aluminum upright rods
- (1) metal crossbar
- (2) rod sockets
- (3) adjustable shelves
- (3) 6342 tote trays
- (1) recessed pegboard on back side of unit
- (4) heavy duty rubber tired casters: (2) rigid and (2) swivel with locks
- 1" thick top - material to be specified

Catalog Number: 6004

Dimensions of Components	Width	Height	Depth
Overall	48"	35 3/4"	24"
Base Cabinet (O.D.)	41 1/4"	31"	22"
(2) Cupboards (I.D.)	19 1/2"	23 1/4"	17 1/4"
(3) Tote Trays	16"	3 1/4"	12"
Pegboard	39 1/4"	-	29"
Stainless Steel Sink (I.D.) (Sink Depth: 7 1/2")	14"	-	10"



Equipment:

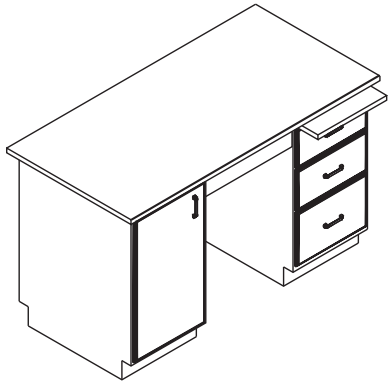
- (1) plunger type water pump
- (1) 3" x 6" oval epoxy resin cup sink
- (1) 20' extension cord connected to one AC duplex receptacle
- (2) 1 gallon polyethylene bottles with connections for water and waste
- (2) aluminum upright rods
- (1) aluminum crossbar
- (2) rod sockets
- (1) master keyed lock
- (4) heavy duty rubber tired casters: (2) rigid and (2) swivel with lock
- 1" thick work surface - material to be specified

Catalog Number: 6006

Dimensions of Components	Width	Height	Depth
Overall	65 1/4"	35 3/4"	27"
Overall (leaf down)	49 1/4"	-	27"
Base Cabinet (O.D.)	47 1/4"	31"	25"
Drawers (I.D.)	20 1/2"	6"	14"
Cupboard (I.D.)	22 1/2"	21 3/4"	14"
Rear cupboard	45 3/4"	21 3/4"	14"

Wood Science and Laboratory Furniture

Instructor's Desks



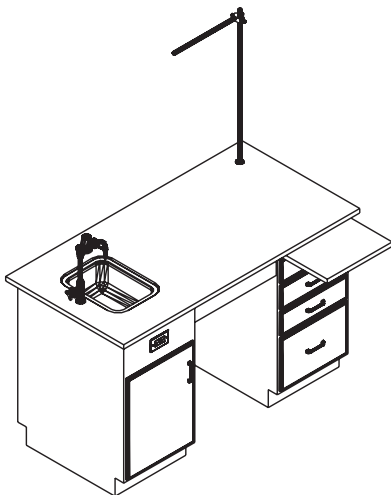
Equipment:

- (1) 18" wide cupboard: (1) adjustable shelf
- (1) 18" wide base cabinet: (1) file drawer, (2) storage drawers, (1) pullout writing slide
- (1) 21" wide knee space
- 1" thick work surface

Note: Service piping, traps and electric conduit are not included

Catalog Number: 7100

Dimensions of Components	Width	Height	Depth
Overall	60"	36"	30"



Equipment:

- (1) cold water gooseneck faucet
- (1) double gas turret
- (1) duplex AC receptacle
- (1) epoxy resin sink
- (1) polypropylene sink outlet with disc strainer
- (1) aluminum upright rod
- (1) aluminum Greenlaw arm
- (1) rod socket
- (1) master keyed lock
- 1" thick work surface - material to be specified

Note: Service piping, traps and electric conduit are not included

Catalog Number: 6008

Dimensions of Components	Width	Height	Depth
Overall	60"	36"	30"
(2) Base Cabinet (O.D.)	18"	35"	27"
Cupboard (I.D.)	16 1/2"	21 3/4"	25 3/4"
(1) Drawer (I.D.)	14 1/2"	3 1/2"	17"
(2) Drawers (I.D.)	14 1/2"	4 1/2"	17"
File Drawer (I.D.)	14 1/2"	10 1/2"	17"
Writing Slide	16 3/8"	-	17 3/4"
Sink (I.D.) (Sink Depth: 6")	14"		10"

Catalog Number: 6008A

Same as 6008 except overall height is 34"

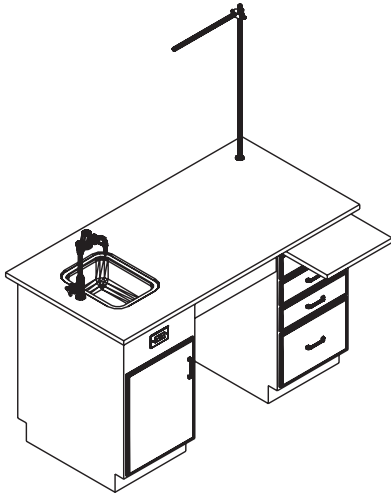
Catalog Number: 6010

Same as 6008 except opposite hand

Catalog Number: 6010A

Same as 6010 except overall height is 34"

Instructor's Desks



Equipment:

- (1) cold water gooseneck faucet
- (1) double gas turret
- (1) duplex AC receptacle
- (1) epoxy resin sink
- (1) polypropylene sink outlet with disc strainer
- (1) aluminum upright rod
- (1) aluminum Greenlaw arm
- (1) rod socket
- (1) master keyed lock
- 1" thick work surface - material to be specified

Note: Service piping, traps and electric conduit are not included

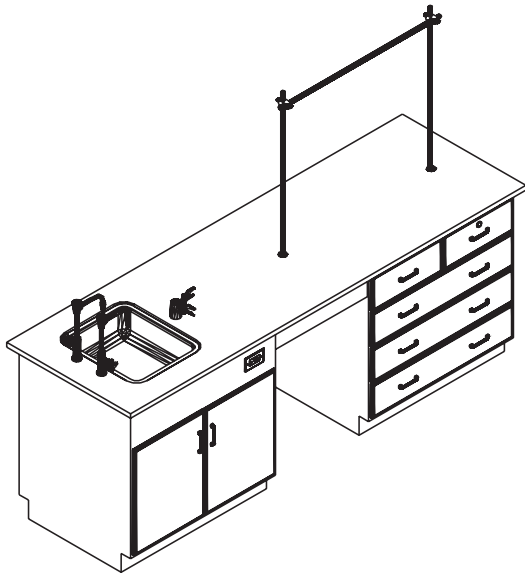
Catalog Number: 6012			
Dimensions of Components	Width	Height	Depth
Overall	60"	36"	30"
(2) Base Cabinet (O.D.)	18"	35"	27"
Cupboard (I.D.)	16 1/2"	21 3/4"	25 3/4"
(3) Drawers (I.D.)	14 1/2"	4 1/2"	17"
File Drawer (I.D.)	14 1/2"	10 1/2"	17"
Sink (I.D.) (Sink Depth: 6")	14"		10"

Catalog Number: 6012A

Same as 6012 except overall height is 34"

Wood Science and Laboratory Furniture

Instructor's Desks



Equipment:

- (1) cold water gooseneck faucet
- (1) hot water gooseneck faucet
- (1) double gas turret
- (1) duplex AC receptacle
- (1) drop in epoxy resin sink
- (1) epoxy resin sink outlet with strainer
- (2) aluminum upright rods
- (1) aluminum cross bar
- (2) rod sockets
- (1) master keyed lock
- 1" thick work surface - material to be specified

Note: Service piping, traps and electric conduit are not included

Catalog Number: 6016			
Dimensions of Components	Width	Height	Depth
Overall	96"	36"	30"
(2) Base Cabinets	35 1/4"	35"	27"
Cupboard (I.D.)	33 3/4"	21 3/4"	25 3/4"
(2) Drawers (I.D.)	14 1/2"	6"	17"
(3) Drawers (I.D.)	31 3/4"	6"	17"
Sink (I.D.) (Sink Depth: 11")	18"	-	15"

Catalog Number: 6016A

Same as 6016 except overall height is 34"

Catalog Number: 6017

Same as 6016 except with 7 drawer cabinet

Catalog Number: 6018

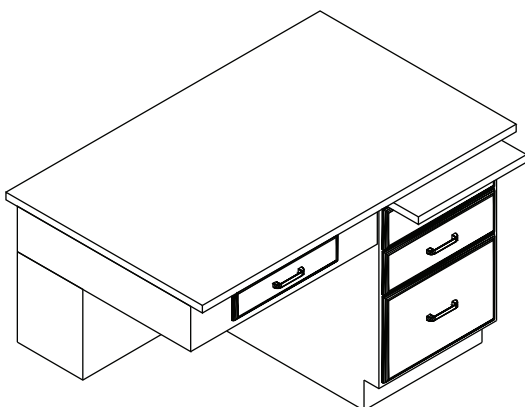
Same as 6016 except opposite hand

Catalog Number: 6018A

Same as 6018 except overall height is 34"

Catalog Number: 6019

Same as 6017 except opposite hand 7 drawer cabinet



Equipment:

- (1) master keyed lock
- Book shelf on back of the knee space
- 1" thick work surface - material to be specified

Note: Service piping, traps and electric conduit are not included

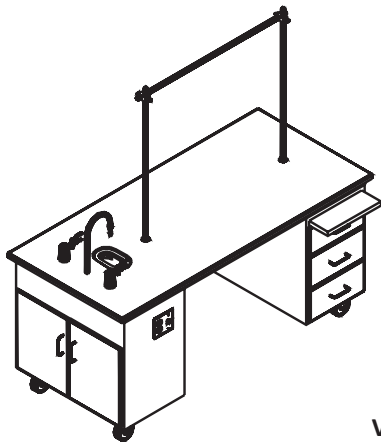
Catalog Number: 6020			
Dimensions of Components	Width	Height	Depth
Overall	48"	30"	30"
Base Cabinet (O.D.)	18"	29"	27"
(1) File Drawer	14 1/2"	10 1/2"	17"
(1) Drawer (I.D.)	14 1/2"	3 1/2"	17"
(1) Drawer (I.D.)	14 1/2"	4 1/2"	17"
(1) Kneespace Drawer (I.D.)	13"	2 1/4"	17"
Book Shelf (I.D.)	27"	10 1/2"	7 1/4"
Writing Slide	16 3/8"	-	17 3/4"

Catalog Number: 6021

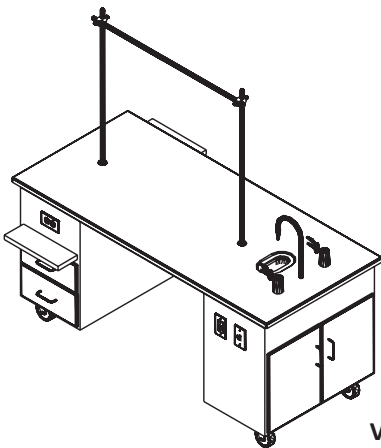
Same as 6020 except opposite hand

Wood Science and Laboratory Furniture

Mobile, ADA Accessible Lab Station



View 1



View 2

Equipment:

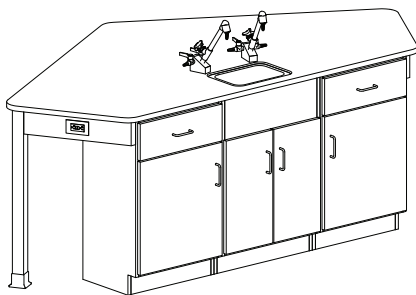
- (1) cold water fixture with electric pump and (2) 3-way switches
- (1) each, 2 1/2 gallon polyethylene carboy for supply and waste
- (1) epoxy resin cup sink, 3" x 6" diameter
- (1) gas turret and (1) air turret with 10' supply hose
- (4) 5" diameter casters: (2) rigid, (2) swivel with locks
- (1) aluminum crossbar assembly with (2) rod sockets
- (1) 25' electric supply cord, 16-3SJ with plug (NEMA S-15P) with (1) automatic rewind reel
- Carboys, electric pump and cord with its rewind wheel are housed in the two door cupboard on one end of unit
- The other end unit has two drawers with a pullout board on one side, and three drawers with a pullout writing board on the opposite side
- Unit is equipped with (3) duplex, 15 amp, 120 volt AC receptacles. (1) is GFCI type for complete circuit protection.
- Support frame for tops is 1" x 1 1/2" steel tubing, with black acid resistant finish.
- 1" thick work surface - material to be specified

Note: Gas and air supply must be provided from fixed sources in classroom or lab. As a safety precaution, no propane, gas or oxygen cannisters should be contained within the unit

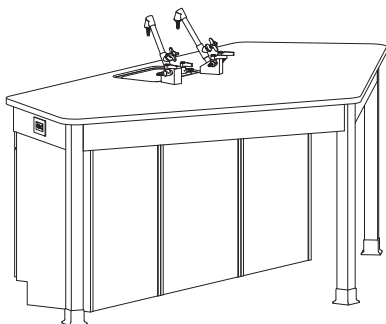
Catalog Number: 6007

Dimensions of Components	Width	Height	Depth
Overall	65 3/4"	30"	32"
Wheelchair access	32"	30"	30"

The Wedge™ Student Table



View 1



View 2

This table can easily accommodate 6 students, more if entire circumference is accessed. A number of style modifications can be made to the standard Wedge design, including variations on the cabinets to multiple drawer units; additional gas turrets and/or electrical; or installation of plumbing access panel with the elimination of the standard sink cabinet with doors.

Equipment:

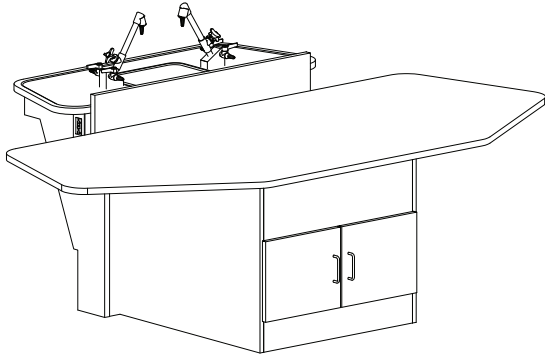
- (2) multi-service fixtures: each containing (1) cold water gooseneck and (2) gas turrets
- (1) 12" epoxy resin sink
- (1) epoxy resin sink plug with disc strainer
- (2) AC duplex, GFCI receptacles
- 1" thick work surface - material to be specified

Catalog Number: 8826

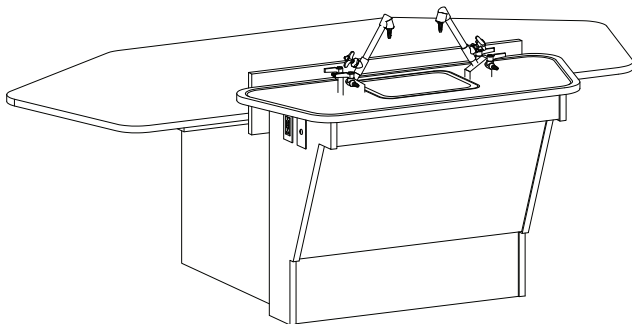
Dimensions of Components	Width	Height	Depth
Overall	93 3/16"	36"	49 9/16"
Base (O.D.)	66"	28 1/2"	31 1/16"
Cabinets (O.D.)	21"	35"	15 1/2"
Sink Cabinet (I.D.)	24"	35"	15 1/2"
Sink (I.D.)	12"	-	8"
(Sink Depth: 6")			

Wood Science and Laboratory Furniture

Magnetar™ Laboratory Table



View 1



View 2

The Magnetar Laboratory Table is designed to accommodate both lab and lecture functions while providing ample counter top space for 4. A centralized work center provides access to computer, monitor, and wired or remote keyboard, while maximum counter space remains available for lab experiments when required. Base is wood with internal steel frame a pull-out shelf that provides ample space for securing CPU, hardware and a printer (not included).

The work surface is adjustable from 30" to 35", allowing the table to be ADA accessible or used by standing or seated students not requiring ADA compatibility. The work surfaces is adjusted by an electric actuator using a key switch in the sink cabinet, and requires no special tools for adjustment.

The ADA compliant sink cabinet is at a fixed height of 34", and is equipped with two combination cold water and gas fixtures, two GFCI duplex electric receptacles, and a 14" x 10" x 5" drop in sink. Work surface material to be specified. Optional mobile 3 drawer cabinets with specified 1" work surface material are available.

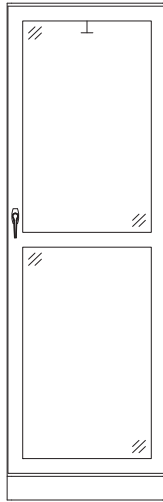
Catalog Number: 8834

Dimensions of Components	Width	Height	Depth
Work Table	96"	30" to 36"	42"
Sink Cabinet	54 3/8"	34"	20 3/4"



Wood Science and Laboratory Furniture

Skeleton Cabinet



Door has three point locking handle

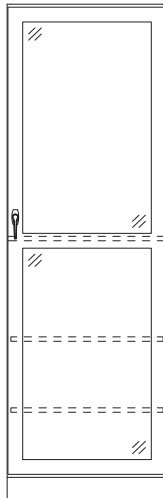
Equipment:

- (1) pullout hanger

Catalog Number: 6922			
Dimensions of Components	Width	Height	Depth
Overall	27"	84"	16"

Catalog Number: 6923
Same as 6922 except 22 1/2" Deep

Torso Cabinet



Door has three point locking handle

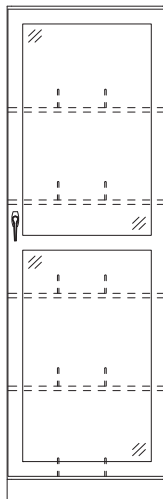
Equipment:

- (1) pullout hanger
- (2) adjustable shelves

Catalog Number: 6924			
Dimensions of Components	Width	Height	Depth
Overall	27"	84"	16"
Torso Compartment	20 7/8"	42"	12 3/4"

Catalog Number: 6925
Same as 6924 except 22 1/2" Deep

Microscope Cabinet



Door has three point locking handle

Equipment:

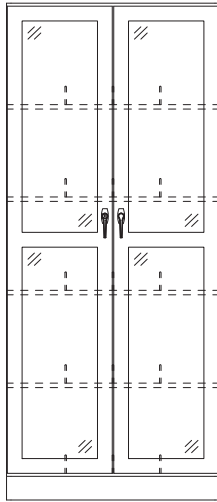
- (4) 1" thick fixed shelves: accommodates 15 microscopes
- Dividers are chrome plated, 1/4" diameter bent wire installed 8 1/8" apart

Catalog Number: 6940			
Dimensions of Components	Width	Height	Depth
Overall	27"	84"	16"

Catalog Number: 6940B
Same as 6940 except 22 1/2" Deep

Wood Science and Laboratory Furniture

Microscope Cabinet



Door has three point locking handle

Equipment:

- (4) 1" thick fixed shelves: can accommodate 20 microscopes
- Dividers are chrome plated, 1/4" diameter bent wire installed 8 1/8" apart

Catalog Number: 6942			
Group A	Group B	Height	Depth
35 1/4"	36"	84"	16"

Catalog Number: 6942B
Same as 6942 except 22 1/2" Deep

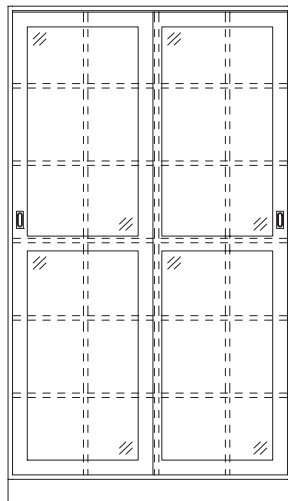
Catalog Number: 6943
Same as 6942 except 41 1/4 wide"; will accommodate 20 microscopes and 9 9/16" between dividers

Catalog Number: 6943B
Same as 6943 except 22 1/2" Deep

Catalog Number: 6944
Same as 6942 except 47 1/4" wide, will accommodate 30 microscopes and 7 3/16" between dividers

Catalog Number: 6944B
Same as 6944 except 22 1/2" Deep

Compartment Storage Cabinet



Storage for variety of laboratory apparatus. Door has three point locking handle.

Equipment:

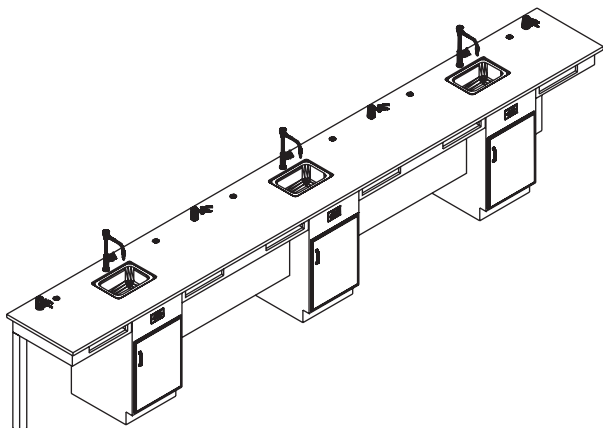
- (4) vertical compartments with (5) adjustable shelves

Catalog Number: 6948			
Group A	Group B	Height	Depth
47 1/4"	48"	84"	16"

Catalog Number: 6949
Same as 6948 except 22 1/2" Deep

Wood Science and Laboratory Furniture

6 Student Lab Table



Equipment:

- (3) cold water gooseneck faucets
- (2) double and (2) single gas cocks
- (3) duplex AC receptacles
- (3) drop in epoxy resin sinks
- (3) polypropylene sink outlets with strainers
- (6) rod sockets
- 1" thick work surface - material to be specified

Note: Burette rods and upright rod assemblies are not included (order separately). Traps, drain lines, service piping and electric conduit are not included.

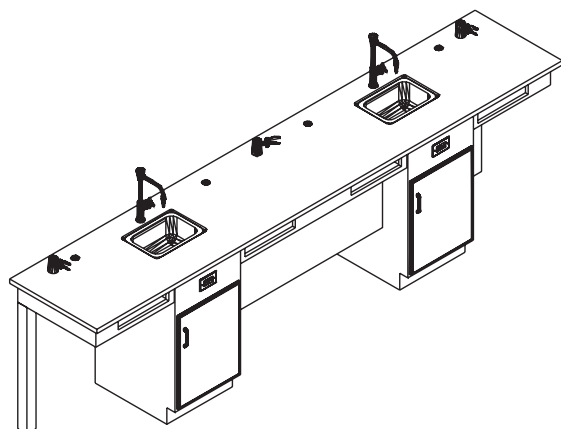
Catalog Number: 6038

Dimensions of Components	Width	Height	Depth
Overall	16'	36"	24"
(3) Base Cabinets (O.D.)	18"	35"	22"
Back Splash	16'	4"	1"
(6) Compartments (I.D.)	15"	3"	16"
(3) Cupboards (I.D.)	16 1/2"	21 3/4"	20 3/4"
(3) Sinks (I.D.) (Sink Depth: 6")	12"	-	8"

Catalog Number: 6040

Same as 6038 except equipped with (6) drawers (11 7/8" W x 2 1/4" H x 15" D, I.D.) with master keyed locks instead of compartments.

4 Student Lab Table



Equipment:

- (2) cold water gooseneck faucets
- (1) double and (2) single gas cocks
- (2) duplex AC receptacles
- (2) drop in epoxy resin sinks
- (2) polypropylene sink outlets with strainer
- (4) rod sockets
- 1" thick work surface - material to be specified

Note: Burette rods and upright rod assemblies are not included (order separately). Traps, drain lines, service piping and electric conduit are not included.

Catalog Number: 6042

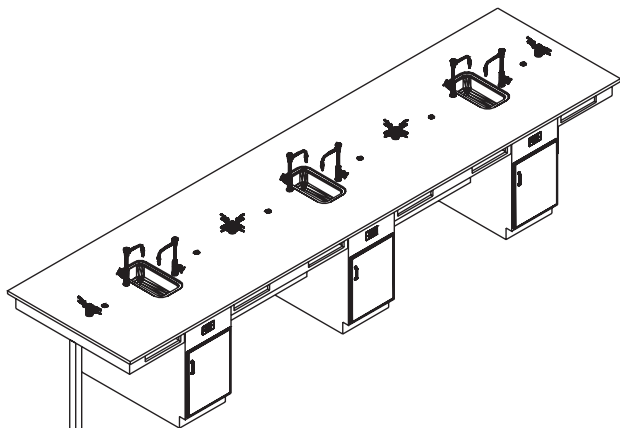
Dimensions of Components	Width	Height	Depth
Overall	10' 8"	36"	24"
(2) Base Cabinets (O.D.)	18"	35"	22"
Back Splash	10' 8"	4"	1"
(4) Compartments (I.D.)	13 7/8"	3"	16"
(2) Cupboards (I.D.)	16 1/2"	21 3/4"	20 3/4"
(2) Sinks (I.D.) (Sink Depth: 6")	12"	-	8"

Catalog Number: 6044

Same as 6042 except equipped with (4) drawers (11 7/8" W x 2 1/4" H x 15" D, I.D.) with master keyed locks instead of compartments.

Wood Science and Laboratory Furniture

12 Student Lab Table



Equipment:

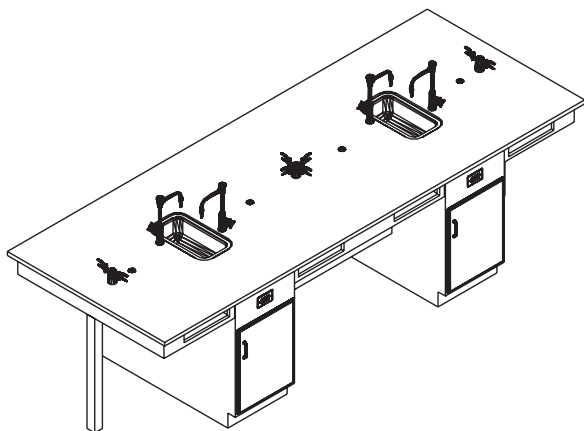
- (6) cold water gooseneck faucets
- (2) 4-way and (2) double gas cocks
- (6) duplex AC receptacles
- (3) epoxy drop in resin sinks
- (3) polypropylene sink outlets with strainer
- (6) rod sockets
- 1" thick work surface - material to be specified

Note: Burette rods and upright rod assemblies are not included (order separately). Traps, drain lines, service piping and electric conduit are not included.

Catalog Number: 6046			
Dimensions of Components	Width	Height	Depth
Overall	16'	36"	48"
(3) Base Cabinets (O.D.)	18"	35"	45"
(12) Compartments (I.D.)	13 7/8"	3"	16"
(3) Double Faced Cupboards (I.D.)	16 1/2"	21 3/4"	44 1/4"
(3) Sinks (I.D.) (Sink Depth: 7")	16"	-	8"

Same as 6046 except equipped with (12) drawers (11 7/8" W x 2 1/4" H x 15" D, I.D.) with master keyed locks instead of compartments.

8 Student Lab Table



Equipment:

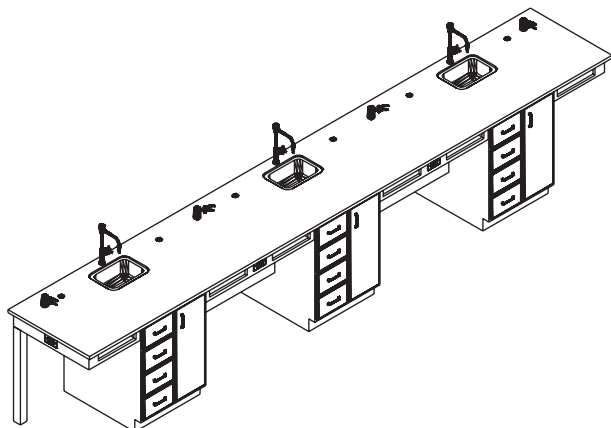
- (4) cold water gooseneck faucets
- (1) 4-way and (2) double gas cocks
- (4) duplex AC receptacles
- (2) drop in epoxy resin sinks
- (2) polypropylene sink outlets with strainers
- (4) rod sockets
- 1" thick work surface - material to be specified

Note: Burette rods and upright rod assemblies are not included (order separately). Traps, drain lines, service piping and electric conduit are not included.

Catalog Number: 6050			
Dimensions of Components	Width	Height	Depth
Overall	10' 8"	36"	48"
(2) Base Cabinets (O.D.)	18"	35"	45"
(8) Compartments (I.D.)	13 7/8"	3"	16"
(2) Double Faced Cupboards (I.D.)	16 1/2"	21 3/4"	44 1/4"
(2) Sinks (I.D.) (Sink Depth: 7")	16"	-	8"

Same as 6050 except equipped with (8) drawers (11 7/8" W x 2 1/4" H x 15" D, I.D.) with master keyed locks instead of compartments.

6 Student Lab Table



Equipment:

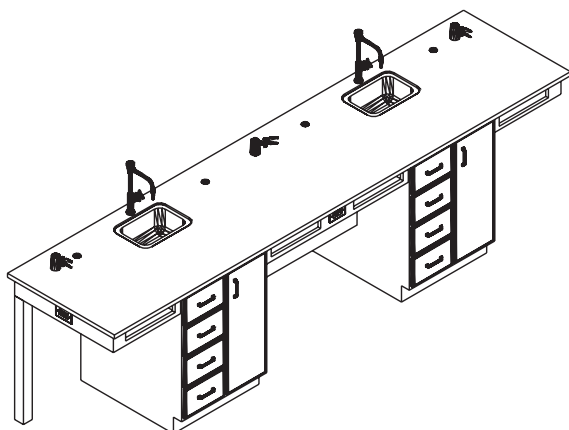
- (3) cold water gooseneck faucets
- (2) double and (2) single gas cocks
- (4) duplex AC receptacles
- (3) drop in epoxy resin sinks
- (3) polypropylene sink outlets with strainer
- (6) rod sockets
- (3) adjustable shelves
- 1" thick work surface - material to be specified

Note: Burette rods and upright rod assemblies are not included (order separately). Traps, drain lines, service piping and electric conduit are not included.

Catalog Number: 6054

Dimensions of Components	Width	Height	Depth
Overall	16'	36"	30"
(3) Base Cabinets (O.D.)	24"	35"	28 1/4"
(12) Drawers (I.D.)	8 7/8"	6"	13"
(3) Cupboards (I.D.)	10 7/8"	29 1/4"	13"
(6) Compartments (I.D.)	13 7/8"	3"	16"
(3) Sinks (I.D.) (Sink Depth: 6")	12"	-	6"

4 Student Lab Table



Equipment:

- (2) cold water gooseneck faucets
- (1) double and (2) single gas cocks
- (3) duplex AC receptacles
- (2) drop in epoxy resin sinks
- (2) polypropylene sink outlets with strainers
- (4) rod sockets
- (2) adjustable shelves
- 1" thick work surface - material to be specified

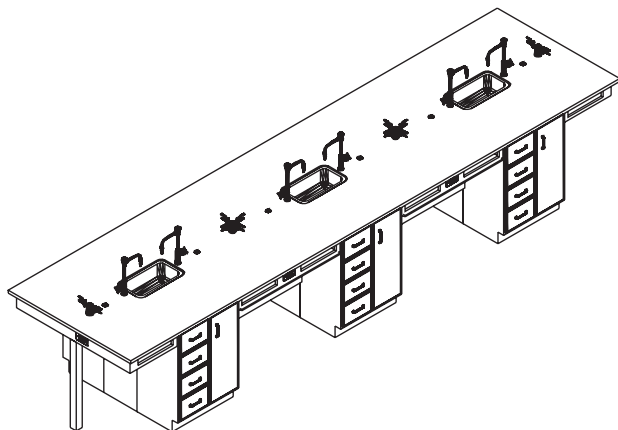
Note: Burette rods and upright rod assemblies are not included (order separately). Traps, drain lines, service piping and electric conduit are not included.

Catalog Number: 6054

Dimensions of Components	Width	Height	Depth
Overall	10' 8"	36"	30"
(2) Base Cabinets (O.D.)	24"	35"	28 1/4"
(8) Drawers (I.D.)	8 7/8"	6"	13"
(2) Cupboards (I.D.)	10 7/8"	29 1/4"	13"
(4) Compartments (I.D.)	13 7/8"	3"	16"
(2) Sinks (I.D.) (Sink Depth: 6")	12"	-	8"

Wood Science and Laboratory Furniture

12 Student Lab Table



Equipment:

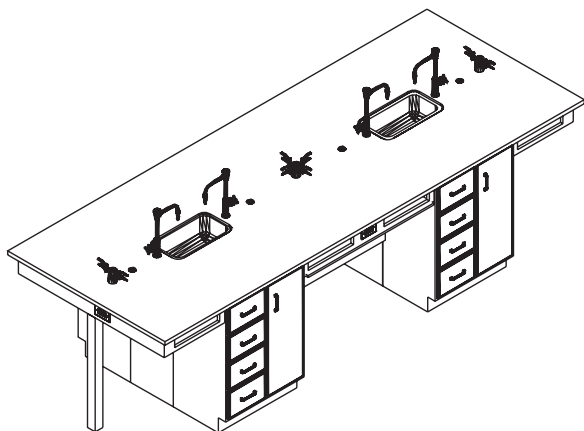
- (6) cold water gooseneck faucets
- (2) 4-way and (2) double gas cocks
- (6) duplex AC receptacles
- (3) drop in epoxy resin sinks
- (3) polypropylene sink outlets with strainers
- (6) rod sockets
- (6) adjustable shelves
- 1" thick work surface - material to be specified

Note: Burette rods and upright rod assemblies are not included (order separately). Traps, drain lines, service piping and electric conduit are not included.

Catalog Number: 6058

Dimensions of Components	Width	Height	Depth
Overall	16'	36"	48"
(6) Base Cabinets (O.D.)	24"	35"	16"
(24) Drawers (I.D.)	8 7/8"	6"	13"
(6) Cupboards (I.D.)	10 7/8"	29 1/4"	13"
(12) Compartments (I.D.)	13 7/8"	3"	16"
(3) Sinks (I.D.) (Sink Depth: 7")	16"	-	8"

8 Student Lab Table



Equipment:

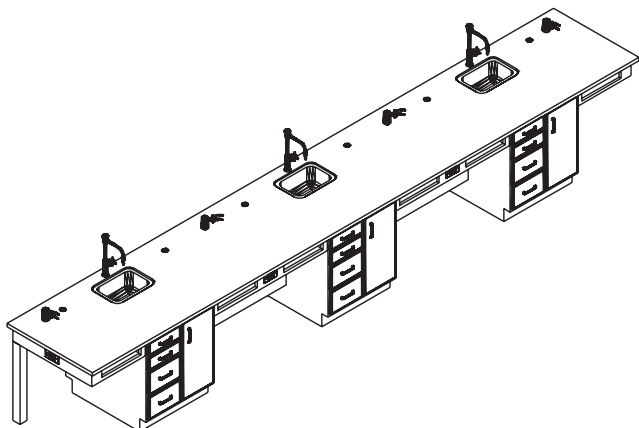
- (4) cold water gooseneck faucets
- (1) 4-way and (2) double gas cocks
- (4) duplex AC receptacles
- (2) drop in epoxy resin sinks
- (2) polypropylene sink outlets with strainers
- (4) rod sockets
- (4) adjustable shelves
- 1" thick work surface - material to be specified

Note: Burette rods and upright rod assemblies are not included (order separately). Traps, drain lines, service piping and electric conduit are not included.

Catalog Number: 6060

Dimensions of Components	Width	Height	Depth
Overall	10' 8"	36"	48"
(4) Base Cabinets (O.D.)	24"	35"	16"
(16) Drawers (I.D.)	8 7/8"	6"	13"
(4) Cupboards (I.D.)	10 7/8"	29 1/4"	13"
(8) Compartments (I.D.)	13 7/8"	3"	16"
(2) Sinks (I.D.) (Sink Depth: 7")	16"	-	8"

6 Student Lab Table



Equipment:

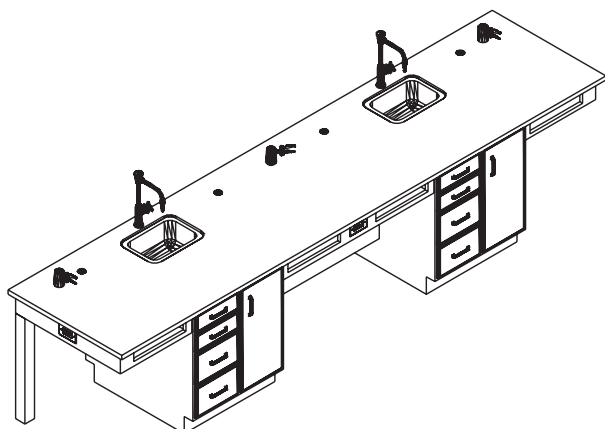
- (3) cold water goosenecks faucets
- (2) double and (2) single gas cocks
- (4) duplex AC receptacles
- (3) drop in epoxy resin sinks
- (3) polypropylene sink outlets with strainers
- (6) rod sockets
- (3) adjustable shelves
- 1" thick work surface - material to be specified

Note: Burette rods and upright rod assemblies are not included (order separately). Traps, drain lines, service piping and electric conduit are not included.

Catalog Number: 6062

Dimensions of Components	Width	Height	Depth
Overall	16'	30"	30"
(3) Base Cabinets (O.D.)	24"	29"	28 1/4"
(6) Drawers (I.D.)	8 7/8"	2 1/2"	13"
(6) Drawers (I.D.)	8 7/8"	6 1/2"	13"
(3) Cupboards (I.D.)	13"	10 7/8"	23 1/4"
(6) Compartments (I.D.)	13 7/8"	3"	16"
(3) Sinks (I.D.) (Sink Depth: 6")	12"	-	8"

6 Student Lab Table



Equipment:

- (2) cold water goosenecks faucets
- (1) double and (2) single gas cocks
- (3) duplex AC receptacles
- (2) drop in epoxy resin sinks
- (2) polypropylene sink outlets with strainers
- (4) rod sockets
- (2) adjustable shelves
- 1" thick work surface - material to be specified

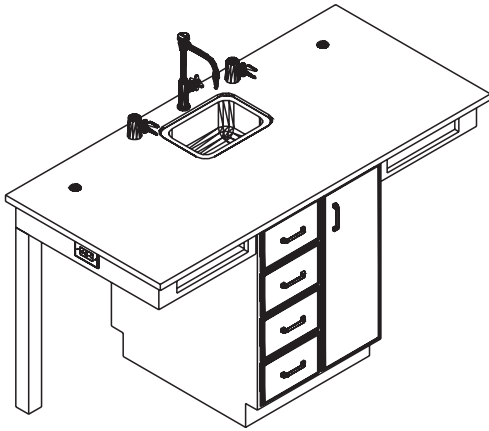
Note: Burette rods and upright rod assemblies are not included (order separately). Traps, drain lines, service piping and electric conduit are not included.

Catalog Number: 6064

Dimensions of Components	Width	Height	Depth
Overall	10' 8"	30"	30"
(2) Base Cabinets (O.D.)	24"	29"	28 1/4"
(4) Drawers (I.D.)	8 7/8"	2 1/2"	13"
(4) Drawers (I.D.)	8 7/8"	6 1/2"	13"
(2) Cupboards (I.D.)	13"	10 7/8"	23 1/4"
(4) Compartments (I.D.)	13 7/8"	3"	16"
(2) Sinks (I.D.) (Sink Depth: 6")	12"	-	8"

Wood Science and Laboratory Furniture

2 Student Lab Table



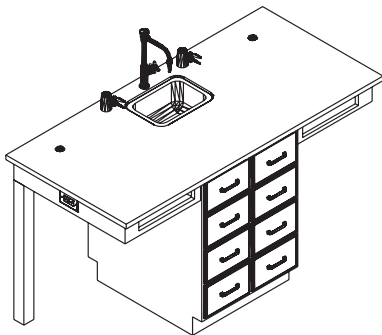
Equipment:

- (1) cold water gooseneck faucet
- (2) single gas cocks
- (2) duplex AC receptacles
- (1) drop in epoxy resin sink
- (1) polypropylene sink outlet with disc strainer
- (2) rod sockets
- (1) adjustable shelf
- 1" thick work surface - material to be specified

Note: Burette rods and upright rod assemblies are not included (order separately). Traps, drain lines, service piping and electric conduit are not included.

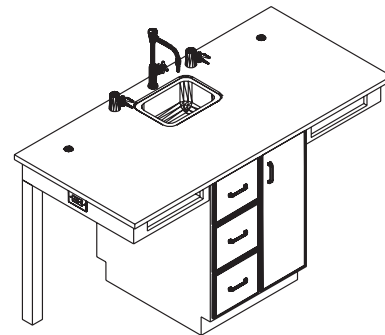
Catalog Number: 6066

Dimensions of Components	Width	Height	Depth
Overall	64"	36"	30"
(1) Base Cabinet (O.D.)	24"	35"	28 1/4"
(1) Cupboard (I.D.)	10 7/8"	29 1/4"	13"
(4) Drawers (I.D.)	8 7/8"	6"	13"
(2) Compartments (I.D.)	13 7/8"	3"	16"
Sink (I.D.) (Sink Depth: 6")	12"	-	8"



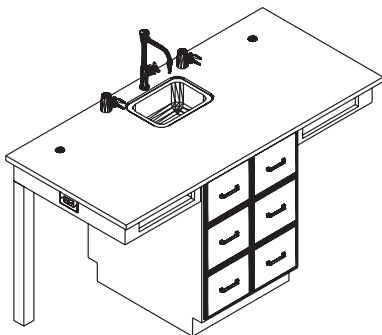
Catalog Number: 6068

Same as 6066 except cupboard and shelf are omitted and quantity of drawers is increased to 8.



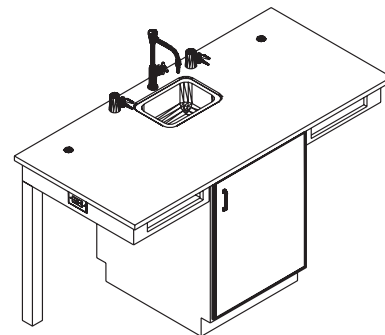
Catalog Number: 6070

Same as 6066 except quantity of drawers is decreased to 3. Drawers are 8 1/2" H (I.D.).



Catalog Number: 6072

Same as 6066 except cupboard and shelf are omitted and quantity of drawers increases to 6. Drawers are 8 1/2" H (I.D.).

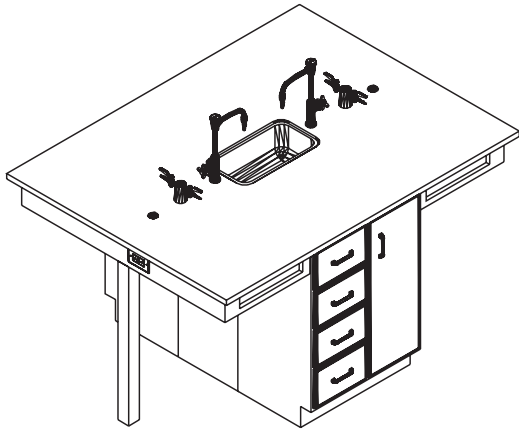


Catalog Number: 6074

Same as 6066 except drawers are omitted and cupboard width increases to 22 1/2".

Wood Science and Laboratory Furniture

4 Student Lab Table

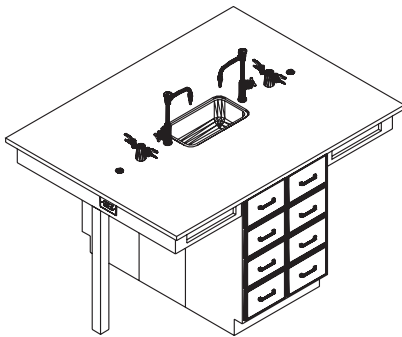


Equipment:

- (2) cold water gooseneck faucets
- (2) double gas cocks
- (2) duplex AC receptacles
- (1) epoxy resin sink
- (1) polypropylene sink outlet with disc strainer
- (2) rod sockets
- (2) adjustable shelves
- 1" thick work surface - material to be specified

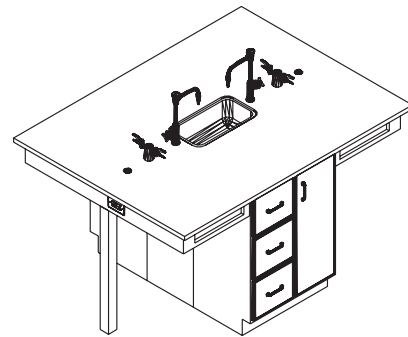
Note: Burette rods and upright rod assemblies are not included (order separately). Traps, drain lines, service piping and electric conduit are not included.

Catalog Number: 6076			
Dimensions of Components	Width	Height	Depth
Overall	64"	36"	48"
(2) Base Cabinets (O.D.)	24"	35"	16"
(2) Cupboards (I.D.)	10 7/8"	29 1/4"	13"
(8) Drawers (I.D.)	8 7/8"	6"	13"
(4) Compartments (I.D.)	15"	3"	16"
Sink (I.D.) (Sink Depth: 7")	16"	-	8"



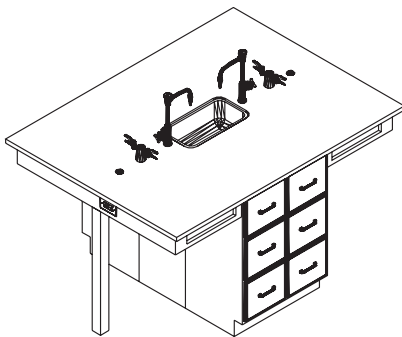
Catalog Number: 6078

Same as 6076 except cupboards and shelves are omitted and quantity of drawers is increased to 16.



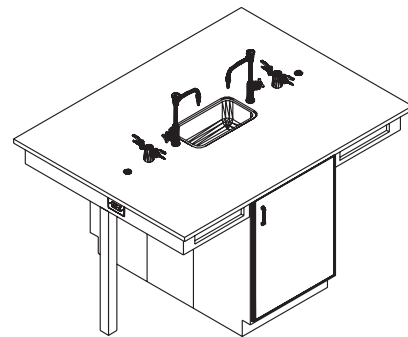
Catalog Number: 6080

Same as 6076 except quantity of drawers is decreased to 6. Drawers are 8 1/2" H (I.D.).



Catalog Number: 6082

Same as 6076 except cupboards and shelves are omitted and the quantity of drawers is increased to 12. Drawers are 8 1/2" H (I.D.).

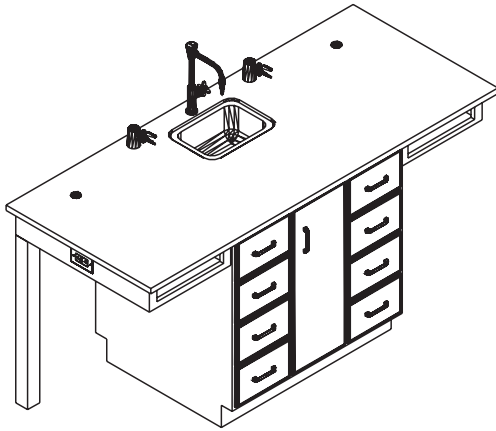


Catalog Number: 6084

Same as 6076 except drawers are omitted and cupboard width is increased to 22 1/2".

Wood Science and Laboratory Furniture

2 Student Lab Table

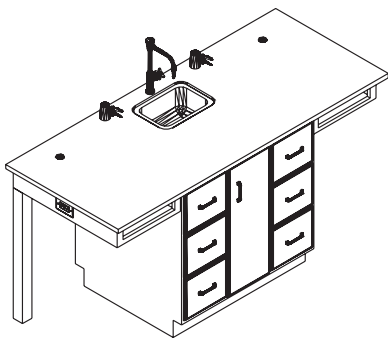


Equipment:

- (1) cold water gooseneck faucet
- (2) single gas cocks
- (2) duplex AC receptacles
- (1) drop in epoxy resin sink
- (1) polypropylene sink outlet with disc strainer
- (2) rod sockets
- (1) adjustable shelf
- 1" thick work surface - material to be specified

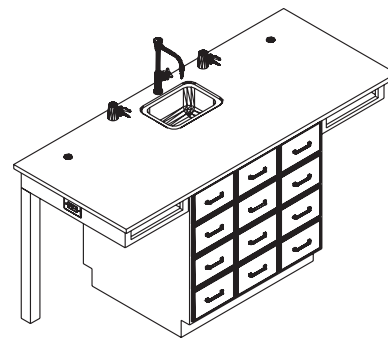
Note: Burette rods and upright rod assemblies are not included (order separately). Traps, drain lines, service piping and electric conduit are not included.

Catalog Number: 6086			
Dimensions of Components	Width	Height	Depth
Overall	72"	36"	30"
(1) Base Cabinet (O.D.)	35 1/4"	35"	28 1/4"
(1) Cupboard (I.D.)	10 1/2"	29 1/4"	13"
(8) Drawers (I.D.)	8 7/8"	6"	13"
(2) Compartments (I.D.)	13 7/8"	3"	16"
Sink (I.D.) (Sink Depth: 6")	12"	-	8"



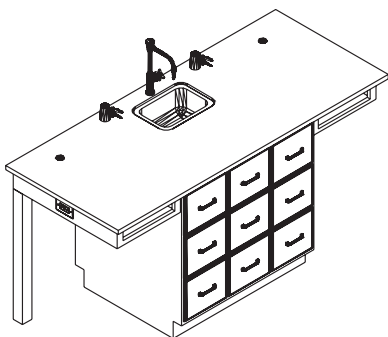
Catalog Number: 6088

Same as 6086 except quantity of drawers is decreased to 6. Drawers are 8 1/2" H (I.D.).



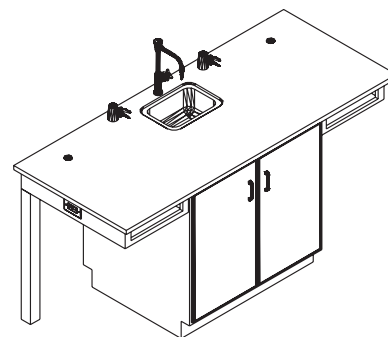
Catalog Number: 6090

Same as 6086 except cupboard and shelf are omitted and the quantity of drawers is increased to 12.



Catalog Number: 6092

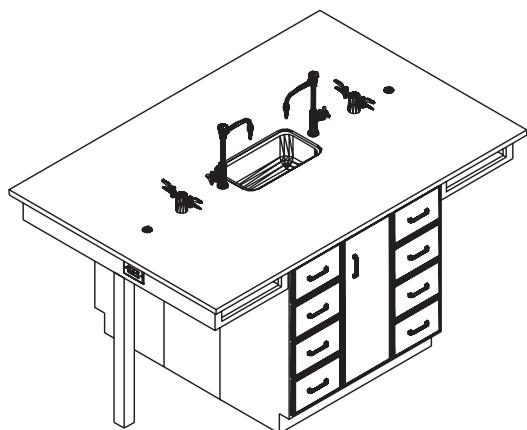
Same as 6086 except cupboard and shelf are omitted and quantity of drawers is increased to 9. Drawers are 8 1/2" H (I.D.).



Catalog Number: 6094

Same as 6086 except drawers are omitted and the cupboard width is increased to 33 3/4".

4 Student Lab Table

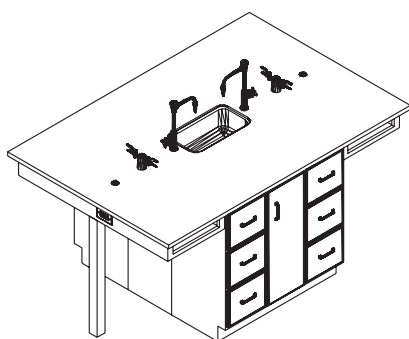


Equipment:

- (2) cold water gooseneck faucets
- (2) double gas cocks
- (2) duplex AC receptacles
- (1) drop in epoxy resin sink
- (1) polypropylene sink outlet with disc strainer
- (2) rod sockets
- (2) adjustable shelves
- 1" thick work surface - material to be specified

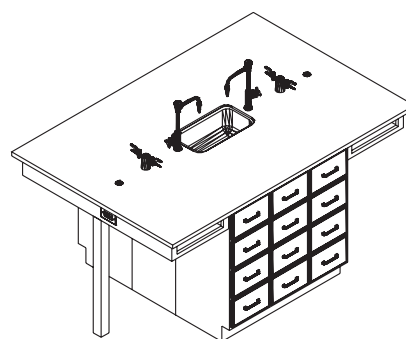
Note: Burette rods and upright rod assemblies are not included (order separately). Traps, drain lines, service piping and electric conduit are not included.

Catalog Number: 6096			
Dimensions of Components	Width	Height	Depth
Overall	72"	36"	48"
(2) Base Cabinets (O.D.)	35 1/4"	35"	16"
(2) Cupboards (I.D.)	10 1/2"	29 1/4"	13"
(16) Drawers (I.D.)	8 1/2"	6"	13"
(4) Compartments (I.D.)	13 7/8"	3"	16"
Sink (I.D.) (Sink Depth: 7")	16"	-	8"



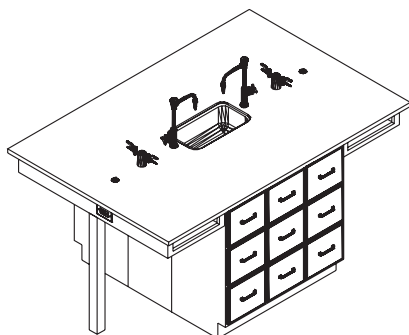
Catalog Number: 6098

Same as 6096 except quantity of drawers is decreased to 12.
Drawers are 8 1/2" H (I.D.)



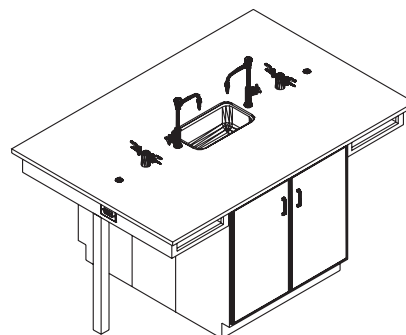
Catalog Number: 6100

Same as 6096 except cupboards and shelves are omitted and the
quantity of drawers is increased to 24.



Catalog Number: 6102

Same as 6096 except cupboards and shelves are omitted and the
quantity of drawers is increased to 18. Drawers are 8 1/2" H (I.D.)

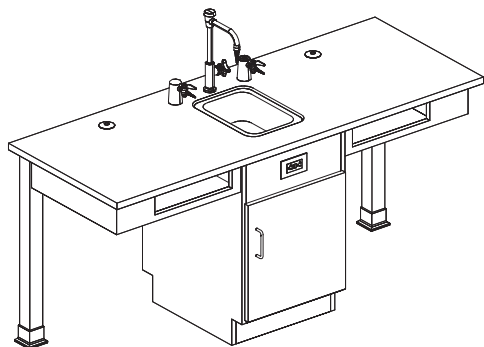


Catalog Number: 6104

Same as 6096 except drawers are omitted and the width of
cupboards is increased to 33 3/4".

Wood Science and Laboratory Furniture

2 Student Lab Table



Equipment:

- (1) cold water gooseneck faucet
- (2) single gas cocks
- (1) duplex AC receptacle
- (1) epoxy resin sink
- (1) polypropylene sink outlet with disc strainer
- (2) rod sockets
- 1" thick work surface - material to be specified

Note: Burette rods and upright rod assemblies are not included (order separately). Traps, drain lines, service piping and electric conduit are not included.

Catalog Number: 6156			
Dimensions of Components	Width	Height	Depth
Overall	64"	30"	24"
(1) Base Cabinet (O.D.)	18"	29"	22"
(1) Cupboard (I.D.)	16 1/2"	17 1/4"	20 3/4"
(2) Compartments (I.D.)	13 1/2"	3"	16"
Sink (I.D.) (Sink Depth: 6")	12"	-	8"

Catalog Number: 6158

Same as 6156 except equipped with (2) drawers, 11 7/8" W x 2 1/4" H x 15" D (I.D.), with master keyed locks instead of compartments

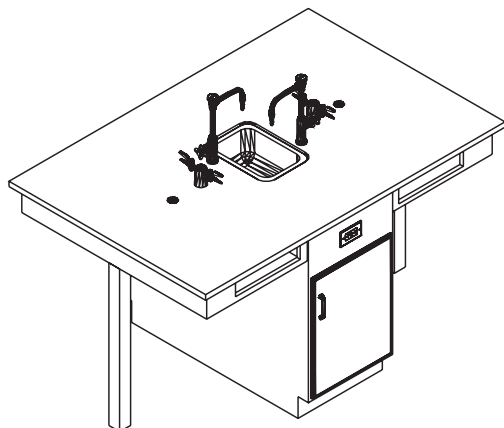
Catalog Number: 6160

Same as 6156 except 36" H.

Catalog Number: 6162

Same as 6158 except 36" H.

4 Student Lab Table



Equipment:

- (2) cold water gooseneck faucets
- (2) double gas cocks
- (2) duplex AC receptacles
- (1) epoxy resin sink
- (1) polypropylene sink outlet with disc strainer
- (2) rod sockets
- 1" thick work surface - material to be specified

Note: Burette rods and upright rod assemblies are not included (order separately). Traps, drain lines, service piping and electric conduit are not included.

Catalog Number: 6164			
Dimensions of Components	Width	Height	Depth
Overall	64"	30"	42"
(1) Double Faced Base Cabinet (O.D.)	18"	29"	39 1/2"
(2) Cupboards (I.D.)	16 1/2"	17 1/4"	16 1/4"
(4) Compartments (I.D.)	13 1/2"	3"	16"
Sink (I.D.) (Sink Depth: 6")	12"	-	8"

Catalog Number: 6166

Same as 6164 except equipped with (4) drawers, 11 7/8" W x 2 1/4" H x 15" D (I.D.), with master keyed locks instead of compartments

Catalog Number: 6168

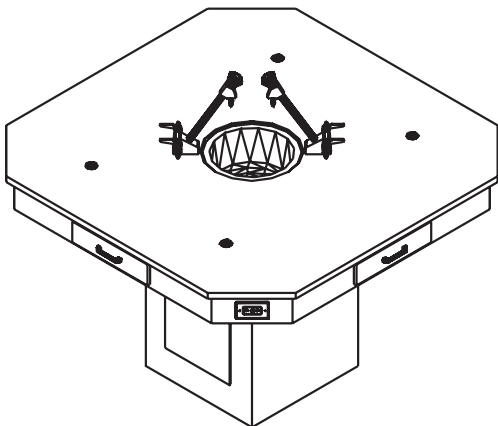
Same as 6164 except 36" H.

Catalog Number: 6170

Same as 6166 except 36" H.

Wood Science and Laboratory Furniture

Student Table for Biology, Physics and Chemistry



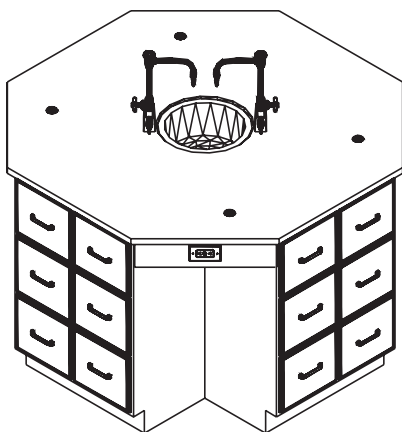
Equipment:

- (2) multi-service fixtures: each containing cold water gooseneck and (2) gas cocks
- (1) 12" diameter epoxy resin sink, 7 1/2" deep
- (1) epoxy resin sink plug with disc strainer
- (2) AC duplex receptacles
- (4) rod rockets
- (4) master keyed locks
- 1" thick work surface - material to be specified

Note: Burette rods and upright rod assemblies are not included (order separately). Traps, drain lines, service piping and electric conduit are not included.

Catalog Number: 6105

Dimensions of Components	Width	Height	Depth
Overall	56"	36"	56"
Pedestal Base (O.D.)	20 1/2"	35"	20 1/2"
(4) Drawers (I.D.)	13"	2 3/4"	13"



Equipment:

- (2) multi-service fixtures: each containing cold water gooseneck and (2) gas cocks
- (1) 12" diameter epoxy resin sink, 7 1/2" depth
- (1) epoxy resin sink plug with disc strainer
- (2) AC duplex receptacles
- (4) rod sockets
- (24) master keyed locks
- 1" thick work surface - material to be specified

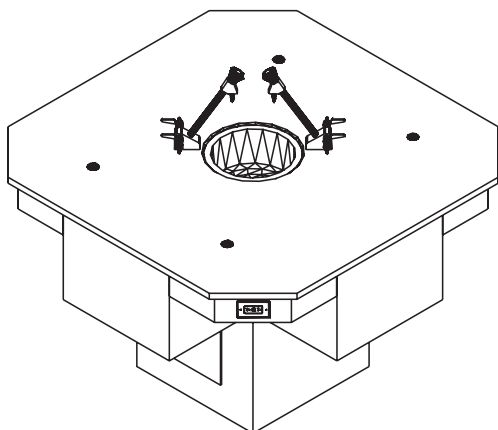
Note: Burette rods and upright rod assemblies are not included (order separately). Traps, drain lines, service piping and electric conduit are not included.

Catalog Number: 6107

Dimensions of Components	Width	Height	Depth
Overall	55"	36"	55"
(4) Base Cabinets (O.D.)	21"	35"	16"

Wood Science and Laboratory Furniture

Student Table for Biology, Physics and Chemistry



Equipment:

- (2) multi-service fixtures: containing cold water gooseneck and (2) gas cocks
- (1) 12" diameter epoxy resin sink, 7 1/2" depth
- (1) epoxy resin sink plug with disc strainer
- (2) AC duplex receptacles
- (4) rod sockets
- (16) master keyed locks
- 1" thick work surface - material to be specified

Note: Burette rods and upright rod assemblies are not included (order separately). Traps, drain lines, service piping and electric conduit are not included.

Catalog Number: 6109A			
Dimensions of Components	Width	Height	Depth
Overall	56"	36"	56"
(4) Suspended Base Cabinets (O.D)	21"	15 3/4"	15 1/4"
Pedestal Base (O.D.)	22 1/2"	35"	22 1/2"

Catalog Number: 6109B

Same as 6109A except suspended base cabinets are single cupboards. (see Cabinet Key)

Catalog Number: 6109C

Same as 6109A except suspended base cabinets are (2) drawers and (1) cupboard. (see Cabinet Key)

Catalog Number: 6109D

Same as 6109A except suspended base cabinets are (2) full width drawers. (see Cabinet Key)

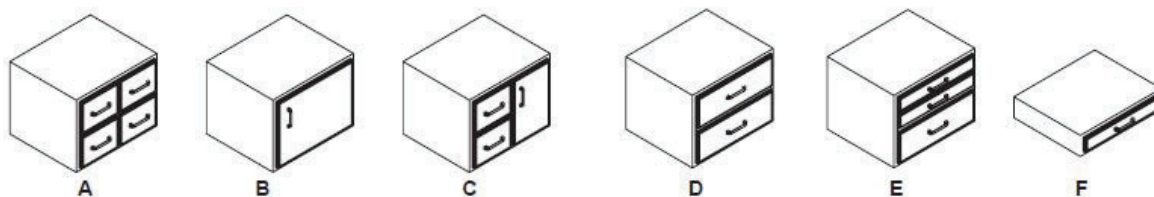
Catalog Number: 6109E

Same as 6109A except suspended base cabinets are (2) small and (1) large full width drawers. (see Cabinet Key)

Catalog Number: 6109F

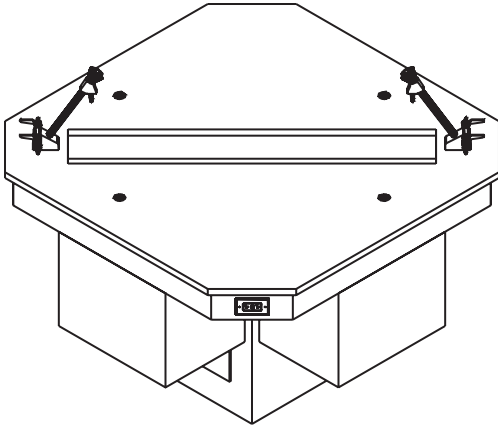
Same as 6109A except suspended base cabinets are (1) small drawer. (see Cabinet Key)

Cabinet Key



Wood Science and Laboratory Furniture

Student Table for Biology, Physics and Chemistry



Equipment:

- (2) multi-service fixtures: containing cold water gooseneck and (2) gas cocks
- (1) epoxy resin trough (I.D. 51" L x 9" W x 4 1/4" D)
- (1) epoxy resin sink plug with disc strainer
- (2) AC duplex receptacles
- (4) rod sockets
- (16) master keyed locks
- 1" thick work surface - material to be specified

Note: Burette rods and upright rod assemblies are not included (order separately). Traps, drain lines, service piping and electric conduit are not included.

Catalog Number: 6112A			
Dimensions of Components	Width	Height	Depth
Overall	56"	36"	56"
(4) Suspended Base Cabinets (O.D)	21"	15 3/4"	15 3/4"
Pedestal Base (O.D.)	22 1/2"	28 1/2"	22 1/2"

Catalog Number: 6112B

Same as 6112A except suspended base cabinets are single cupboards. (see Cabinet Key)

Catalog Number: 6112C

Same as 6112A except suspended base cabinets are (2) drawers and (1) cupboard. (see Cabinet Key)

Catalog Number: 6112D

Same as 6112A except suspended base cabinets are (2) full width drawers. (see Cabinet Key)

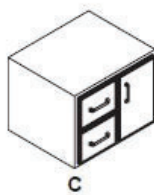
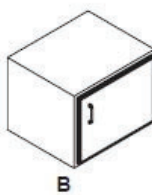
Catalog Number: 6112E

Same as 6112A except suspended base cabinets are (2) small and (1) large full width drawers. (see Cabinet Key)

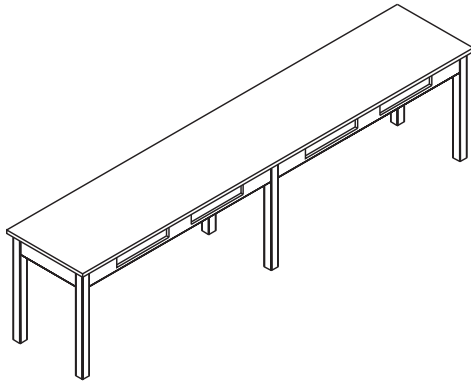
Catalog Number: 6112BX

Expanded metal basket with chemical resistant black finish shaped to fit into trough on 6112 units.

Cabinet Key



Four Student Table

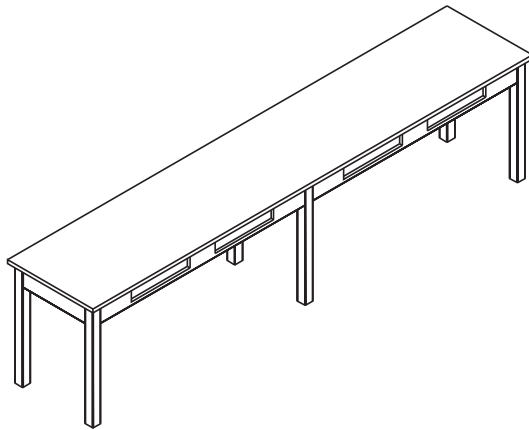


- Work surface is 1" thick - material to be specified.
- Leg shoes are included.

Catalog Number: 6560			
Dimensions of Components	Width	Height	Depth
Overall	10'	30"	24"
(4) Compartments (I.D.)	16 1/2"	3"	15 5/8"

Catalog Number: 6562			
Same as 6560 except equipped with (4) drawers, 13" W x 2 1/4" H x 15" D (I.D.)			

Catalog Number: 6564			
Same as 6560 except compartments are eliminated (i.e. solid rails)			



- Work surface is 1" thick - material to be specified.
- Leg shoes are included.

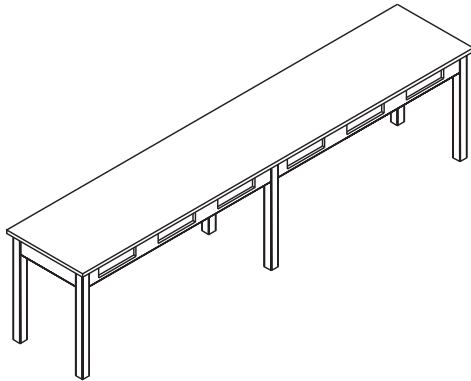
Catalog Number: 6566			
Dimensions of Components	Width	Height	Depth
Overall	12'	30"	24"
(4) Compartments (I.D.)	16 1/2"	3"	15 5/8"

Catalog Number: 6568			
Same as 6566 except equipped with (4) drawers, 13" W x 2 1/4" H x 15" D (I.D.)			

Catalog Number: 6570			
Same as 6566 except compartments are eliminated (i.e. solid rails)			

Wood Science and Laboratory Furniture

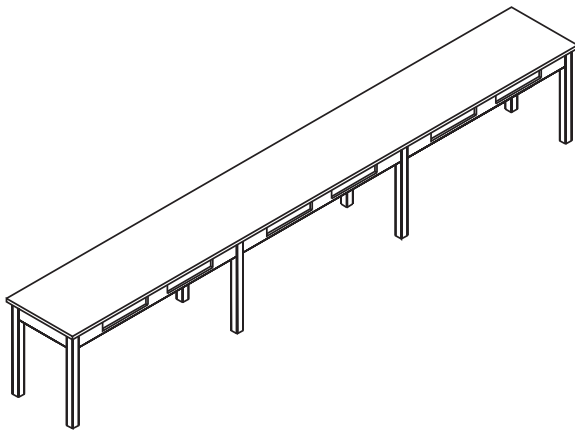
Six Student Table



- Work surface is 1" thick - material to be specified.
- Leg shoes are included.

Catalog Number: 6572			
Dimensions of Components	Width	Height	Depth
Overall	12'	30"	24"
(6) Compartments (I.D.)	16 1/2"	3"	15 5/8"

Catalog Number: 6574
 Same as 6572 except equipped with (6) drawers,
 13" W x 2 1/4" H x 15" D (I.D.)



- Work surface is 1" thick - material to be specified.
- Leg shoes are included.

Catalog Number: 6576			
Dimensions of Components	Width	Height	Depth
Overall	15'	30"	24"
(6) Compartments (I.D.)	16 1/2"	3"	15 5/8"

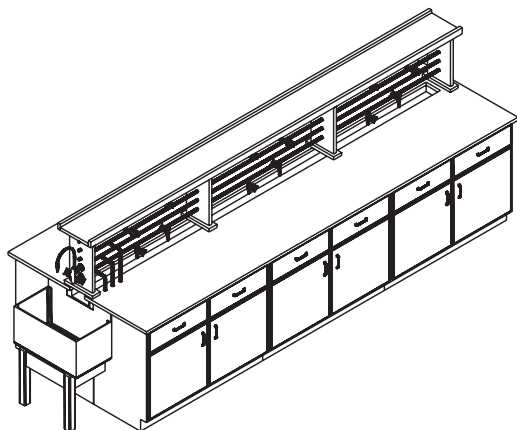
Catalog Number: 6578
 Same as 6576 except equipped with (6) drawers,
 13" W x 2 1/4" H x 15" D (I.D.)

Catalog Number: 6580
 Same as 6576 except the compartments are eliminated (i.e. solid rails)

Wood Science and Laboratory Furniture

Advanced Research Tables - 6 Student Organic Chemistry Table

These 6 student, two section table provides approximately 4 linear feet of work surface and (1) 4' base cabinet for each student



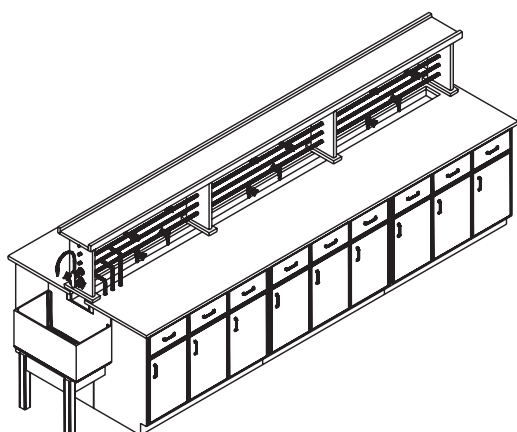
Equipment:

- (1) hot and cold water mixing faucet
- (6) cold water cocks
- (6) gas cocks
- (6) vacuum cocks
- (6) duplex AC receptacles
- (1) epoxy drain trough
- (1) epoxy end sink
- (1) polypropylene sink outlet
- (12) adjustable shelves
- 1" thick reagent racks constructed out of black phenolic
- 1" thick work surface - material to be specified

Note: Traps, service piping and electric conduit are not included

Catalog Number: 6223A

Dimensions of Components	Width	Height	Depth
Work Surface	12'	36"	53 5/8"
(6) Base Cabinets (O.D.)	47 1/4"	35"	19 3/4"
(12) Cupboards (I.D.)	22 1/2"	19 1/4"	18 3/4"
(12) Drawers (I.D.)	20 1/2"	8 1/2"	17"
Reagent Rack	12'	25 1/2"	12"
Epoxy Resin Trough (O.D.) (Trough Depth: 5 1/16")	11' 7"	-	7 5/8"
Epoxy Resin End Sink (O.D.) (Sink Depth: 12 5/8")	22 1/2"	-	14 1/2"



Equipment:

- (1) hot and cold water mixing faucet
- (6) cold water cocks
- (6) gas cocks
- (6) vacuum cocks
- (6) duplex AC receptacles
- (1) epoxy drain trough
- (1) epoxy end sink
- (1) polypropylene sink outlet
- (12) adjustable shelves
- 1" thick reagent racks constructed out of black phenolic
- 1" thick work surface - material to be specified

Note: Traps, service piping and electric conduit are not included

Catalog Number: 6223B

Dimensions of Components	Width	Height	Depth
Work Surface	12'	36"	53 5/8"
(6) Base Cabinets (O.D.)	47 1/4"	35"	19 3/4"
(18) Cupboards (I.D.)	14 1/2"	19 1/4"	18 3/4"
(18) Drawers (I.D.)	12 1/2"	8 1/2"	17"
Reagent Rack	12'	25 1/2"	12"
Epoxy Resin Trough (O.D.) (Trough Depth: 5 1/16")	11' 7"	-	7 5/8"
Epoxy Resin End Sink (O.D.) (Sink Depth: 12 5/8")	22 1/2"	-	14 1/2"

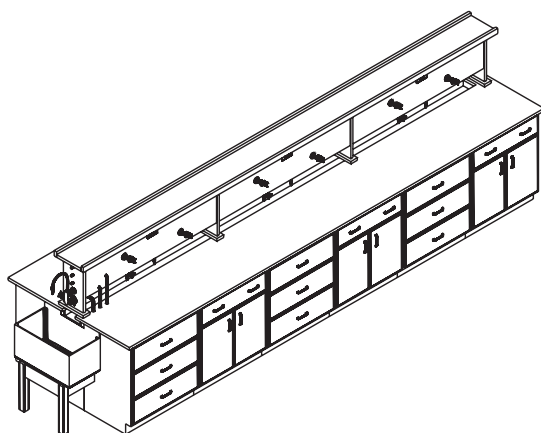
Catalog Number: 6223C

Same as 6223B except with style #1892 base cabinets, providing 6 sections with (6) cupboards, 29 1/4" H and (36) drawers

Wood Science and Laboratory Furniture

Advanced Research Tables - 6 Student Organic Chemistry Table

This 6 student, four section table provides approximately 5 lineal feet of work surface and (1) 5' base cabinet for each student.



Equipment:

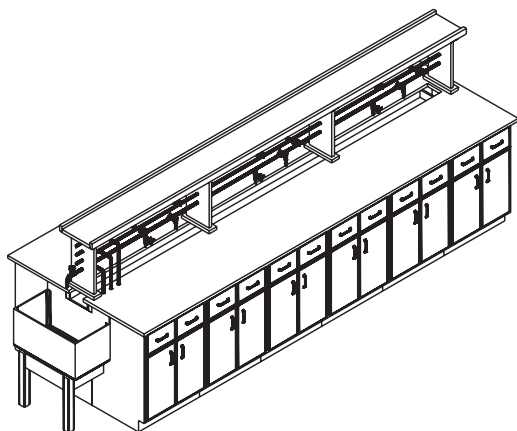
- (1) hot and cold water mixing faucet
- (6) cold water cocks
- (6) gas cocks
- (6) vacuum cocks
- (6) duplex AC receptacles
- (1) epoxy drain trough
- (1) epoxy end sink
- (1) polypropylene sink outlet
- (6) adjustable shelves
- 1" thick reagent racks constructed out of black phenolic.
Fascia panel are 3/4" thick, when provided
- 1" thick work surface - material to be specified

Note: Traps, service piping and electric conduit are not included

Catalog Number: 6223D

Dimensions of Components	Width	Height	Depth
Work Surface	15' 3"	36"	53 5/8"
(6) Base Cabinets (O.D.)	60"	35"	19 3/4"
(6) Cupboards (I.D.)	28 1/2"	19 1/4"	18 3/4"
(24) Drawers (I.D.)	26 1/2"	8 1/2"	17"
Reagent Rack	15' 3"	25 1/2"	12"
Epoxy Resin Trough (O.D.) (Trough Depth: 5 1/16")	14' 10"	-	7 5/8"
Epoxy Resin End Sink (O.D.) (Sink Depth: 12 5/8")	22 1/2"	-	14 1/2"

This 6 student, four section table provides approximately 4 lineal feet of work surface and (1) 4' base cabinet for each student.



Equipment:

- (1) cold water bibb cock
- (6) cold water cocks
- (6) gas cocks
- (4) duplex AC receptacles
- (1) epoxy drain trough
- (1) epoxy end sink
- (1) polypropylene sink outlet
- (24) adjustable shelves
- 1" thick reagent racks constructed out of black phenolic.
Fascia panel are 3/4" thick, when provided
- 1" thick work surface - material to be specified

Note: Traps, service piping and electric conduit are not included

Catalog Number: 6225A

Dimensions of Components	Width	Height	Depth
Work Surface	12' 3"	36"	53 5/8"
(6) Base Cabinets (O.D.)	48"	35"	19 3/4"
(24) Cupboards (I.D.)	10 7/8"	19 1/4"	18 3/4"
(24) Drawers (I.D.)	8 7/8"	8 1/2"	17"
Reagent Rack	12' 3"	20 1/2"	12"
Epoxy Resin Trough (O.D.) (Trough Depth: 5 1/16")	11' 10"	-	7 5/8"
Epoxy Resin End Sink (O.D.) (Sink Depth: 12 5/8")	22 1/2"	-	14 1/2"

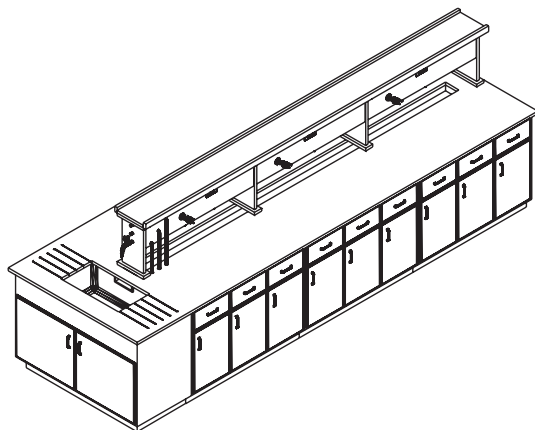
Catalog Number: 6225B

Same as 6225A except 12' wide with #2178 base cabinets, providing nine sections with (54) drawers, 12 1/2" W.

Wood Science and Laboratory Furniture

Advanced Research Tables - 6 Student Organic Chemistry Table

This 6 student, three section table provides approximately 4 lineal feet of work surface and (1) 4' base cabinet for each student.



Equipment:

- (1) cold water bibb cock
- (6) cold water cocks
- (6) gas cocks
- (4) duplex AC receptacles
- (1) epoxy drain trough
- (1) epoxy sink
- (1) polypropylene sink outlet
- (18) adjustable shelves
- 1" thick reagent racks constructed out of black phenolic.
Fascia panel are 3/4" thick, when provided
- 1" thick work surface - material to be specified

Note: Traps, service piping and electric conduit are not included

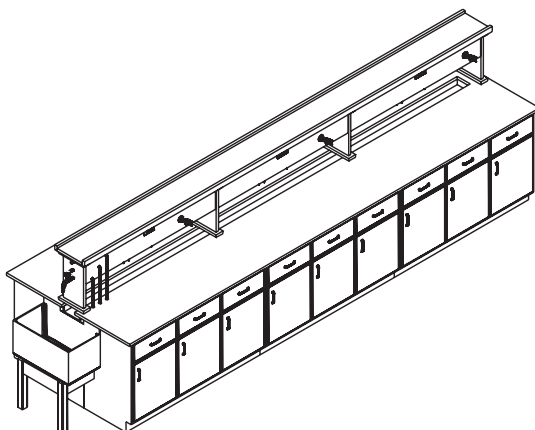
Catalog Number: 6225C

Dimensions of Components	Width	Height	Depth
Work Surface	13' 10"	36"	53 5/8"
(1) Sink Cabinet (O.D.)	50 5/8"	35"	22 1/2"
(6) Base Cabinets (O.D.)	47 1/4"	35"	19 3/4"
(18) Cupboards (I.D.)	14 1/2"	19 1/4"	18 3/4"
(18) Drawers (I.D.)	12 1/2"	8 1/2"	17"
Reagent Rack	12'	20 1/2"	12"
Epoxy Resin Trough (O.D.) (Trough Depth: 5 1/16")	11' 7"	-	7 5/8"
Epoxy Resin Sink (O.D.) (Sink Depth: 10")	25"	-	10"

Catalog Number: 6225D

Same as 6225C except with style #1892 base cabinets, providing six sections with (6) cupboards, 29 1/4" H and (36) drawers.

This 6 student, three section table provides approximately 5 lineal feet of work surface and (1)54' base cabinet for each student.



Equipment:

- (1) cold water bibb cock
- (6) cold water cocks
- (6) gas cocks
- (4) duplex AC receptacles
- (1) epoxy drain trough
- (1) epoxy end sink
- (1) polypropylene sink outlet
- (18) adjustable shelves
- 1" thick reagent racks constructed out of black phenolic.
Fascia panel are 3/4" thick, when provided
- 1" thick work surface - material to be specified

Note: Traps, service piping and electric conduit are not included

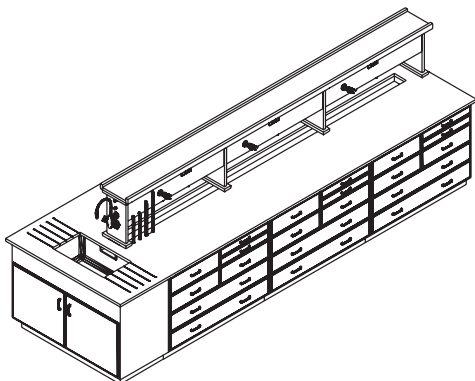
Catalog Number: 6225E

Dimensions of Components	Width	Height	Depth
Work Surface	14' 9 3/4"	36"	53 5/8"
(6) Base Cabinets (O.D.)	58 1/4"	35"	19 3/4"
(18) Cupboards (I.D.)	18 1/4"	19 1/4"	18 3/4"
(18) Drawers (I.D.)	16 1/4"	8 1/2"	17"
Reagent Rack	14' 9 3/4"	20 1/2"	12"
Epoxy Resin Trough (O.D.) (Trough Depth: 5 1/16")	14' 4 3/4"	-	7 5/8"
Epoxy Resin Sink (O.D.) (Sink Depth: 12 5/8")	22 1/2"	-	14 1/2"

Wood Science and Laboratory Furniture

Advanced Research Tables - 6 Student Physical Chemistry Table

This 6 student, three section table provides approximately 4 lineal feet of work surface and (1) 4' base cabinet for each student.



Equipment:

- (1) hot and cold water mixing faucet
- (6) cold water cocks
- (6) gas cocks
- (6) duplex AC receptacles
- (1) epoxy drain trough
- (1) epoxy sink
- (1) polypropylene sink outlet
- 1" thick reagent racks constructed out of black phenolic. Fascia panel are 3/4" thick, when provided
- 1" thick work surface - material to be specified

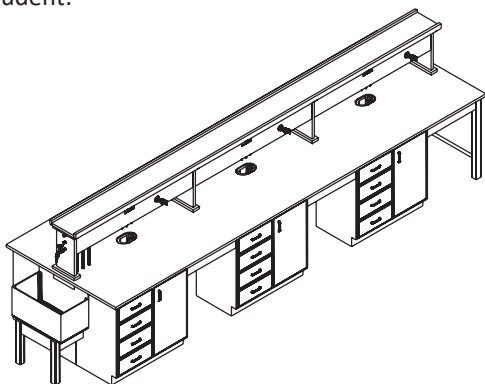
Note: Traps, service piping and electric conduit are not included

Catalog Number: 6227C

Dimensions of Components	Width	Height	Depth
Work Surface	13' 10 3/4"	36"	53 5/8"
(1) Sink Cabinet (O.D.)	50 5/8"	35"	19 3/4"
(6) Base Cabinets (O.D.)	47 1/4"	35"	19 3/4"
(3) Drawers (I.D.)	20 1/2"	6"	17"
(2) Drawers (I.D.)	20 1/2"	2 1/4"	17"
(2) Drawers (I.D.)	43 3/4"	6"	17"
Reagent Rack	12'	20 1/2"	12"
Epoxy Resin Trough (O.D.) (Trough Depth: 5 1/16")	11' 7"	-	7 5/8"
Epoxy Resin End Sink (O.D.) (Sink Depth: 10")	25"	-	15"

Advanced Research Tables - 6 Student Biochemistry Table

This 6 student, four section table provides approximately 5 lineal feet of work surface and (1) 3' base cabinet and (1) 24" kneespace for each student.



Equipment:

- (1) cold water bibb cock
- (6) cold water cocks
- (6) gas cocks
- (6) duplex AC receptacles
- (3) epoxy resin oval cup sinks (6" x 3")
- (1) epoxy resin end sink
- (1) polypropylene sink outlet
- (6) adjustable shelves
- 1" thick reagent racks constructed out of black phenolic. Fascia panel are 3/4" thick, when provided
- 1" thick work surface - material to be specified

Note: Traps, service piping and electric conduit are not included

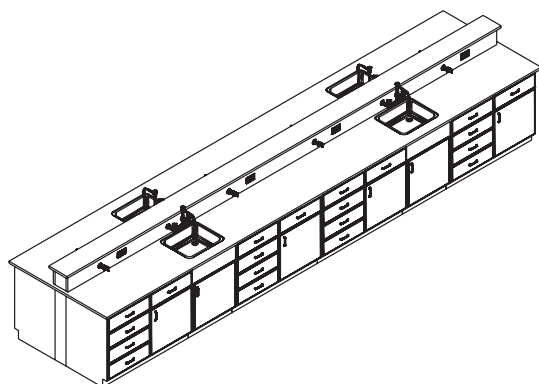
Catalog Number: 6229A

Dimensions of Components	Width	Height	Depth
Work Surface	15' 2 3/4"	36"	54"
(6) Base Cabinets (O.D.)	35 1/4"	35"	22 1/2"
(6) Kneespace	24"	-	-
(6) Cupboards (I.D.)	16 1/2"	29 1/4"	20 3/4"
(24) Drawers (I.D.)	14 1/2"	6"	17"
Reagent Rack	15' 2 3/4"	20 1/2"	12"
Epoxy Resin End Sink (O.D.) (Sink Depth: 12 5/8")	22 1/2"	-	14 1/2"

Wood Science and Laboratory Furniture

Advanced Research Tables - 8 Student Physical Biochemistry Table

This 8 student, five section table provides approximately 4 lineal feet of work surface and (1) 4' base cabinet for each student.



Equipment:

- (4) hot and cold water mixing faucet
- (8) gas cocks
- (8) duplex AC receptacles
- (4) epoxy sinks
- (4) polypropylene sink outlet
- (8) adjustable shelves
- 1" thick reagent racks constructed out of black phenolic. Fascia panel are 3/4" thick, when provided
- 1" thick work surface - material to be specified (Box curb will be made from same material)

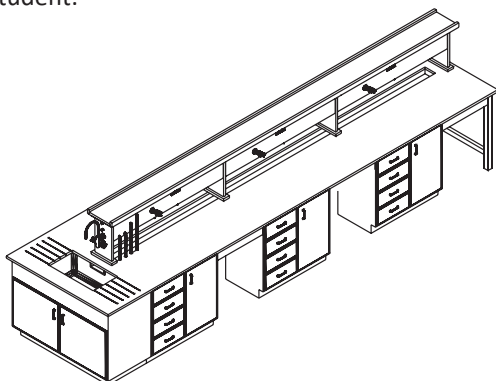
Note: Traps, service piping and electric conduit are not included

Catalog Number: 6229C

Dimensions of Components	Width	Height	Depth
Work Surface	20'	36"	54"
(4) Sink Cabinet (O.D.)	24"	35"	22 1/2"
(8) Base Cabinets (O.D.)	47 1/4"	35"	22 1/2"
(8) Cupboards (I.D.)	22 1/2"	29 1/4"	20 3/4"
(40) Drawers (I.D.)	20 1/2"	6"	17"
Box Curb	20'	10"	8 3/4"
(4) Epoxy Resin Sink (I.D.) (Sink Depth: 8")	18"	-	15"

Advanced Research Tables - 6 Student Biochemistry Table

This 6 student, four section table provides approximately 5 lineal feet of work surface and (1) 3' base cabinet and (1) 24" kneespace for each student.



Equipment:

- (1) hot and cold water mixing faucet
- (6) cold water cocks
- (6) gas cocks
- (6) duplex AC receptacles
- (1) epoxy drain trough
- (1) epoxy sink
- (1) polypropylene sink outlet
- (6) adjustable shelves
- 1" thick reagent racks constructed out of black phenolic. Fascia panel are 3/4" thick, when provided
- 1" thick work surface - material to be specified

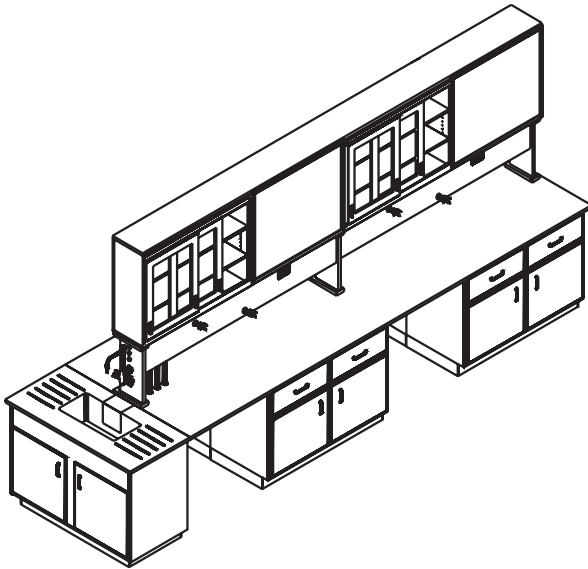
Note: Traps, service piping and electric conduit are not included

Catalog Number: 6229D

Dimensions of Components	Width	Height	Depth
Work Surface	17' 1 1/4"	36"	53 3/8"
(1) Sink Cabinet (O.D.)	50 5/8"	35"	22 1/2"
(6) Base Cabinets (O.D.)	35 1/4"	35"	22 1/2"
(6) Kneespace (I.D.)	24"	-	-
(6) Cupboards (I.D.)	16 1/2"	29 1/4"	20 3/4"
(24) Drawers (I.D.)	14 1/2"	6"	17"
Reagent Rack	15' 2 3/4"	20 1/2"	12"
Epoxy Resign Trough (O.D.) (Trough Depth: 5 1/16")	14' 9 3/4"	-	7 5/8"
Epoxy Resign Sink (I.D.) (Sink Depth: 10")	25"	-	15"

Wood Science and Laboratory Furniture

Advanced Research Tables - Research Table



This unit is an island assembly consisting of:

- (4) 35 1/4" wide, (2) Drawer over cupboard base cabinets (#1574)
- (1) 50 5/8" wide sink cabinet with a finished back
- (4) 36" wide kneespaces
- (4) 35 1/4" wide wall cabinets with tack board backs (#4958)
- (1) reagent rack with 1" thick top shelf and 1" thick uprights constructed out of black phenolic.

Equipment:

- (1) hot and cold water mixing gooseneck faucet
- (4) gas cocks
- (4) air cocks
- (4) duplex AC receptacles
- (1) epoxy resin sink
- (1) polypropylene sink outlet
- (12) adjustable shelves
- 1" thick work surface - material to be specified

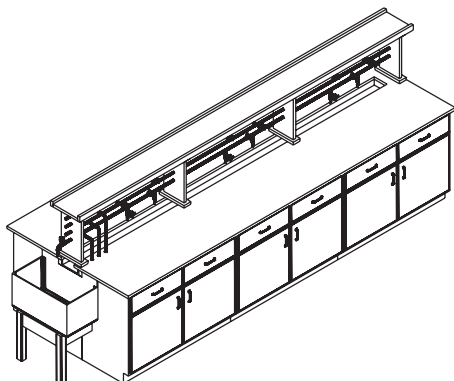
Note: Traps, service piping and electric conduit are not included

Catalog Number: 6258D

Dimensions of Components	Width	Height	Depth
Work Surface	14'	36"	53 5/8"
(4) Base Cabinets (O.D.)	35 1/4"	35"	22 1/2"
(8) Drawers (I.D.)	14 1/2"	6"	17"
(4) Cupboards (I.D.)	33 3/4"	21 3/4"	20 3/4"
(1) Sink Cabinet (O.D.)	50 5/8"	35"	22"
(4) Wall Cabinets (O.D.)	35 1/4"	31 1/4"	11 3/4"
Reagent Rack (O.D.)	12'	18"	12 1/4"
Epoxy Resin Sink (I.D.) (Sink Depth: 10")	25"	-	15"

Wood Science and Laboratory Furniture

Advanced Research Tables - 6 Student Chemistry Table



Equipment:

- (8) single gas cocks
- (4) cold water cocks
- (4) duplex AC receptacles
- (1) epoxy drain trough
- (1) end sink
- (1) polypropylene sink outlet
- (1) cold water bibb cock
- 1" thick reagent racks constructed out of black phenolic.
Fascia panel are 3/4" thick, when provided
- 1" thick work surface - material to be specified

Note: Traps, service piping and electric conduit are not included

Catalog Number: 6230A

Dimensions of Components	Width	Height	Depth
Work Surface	12'	36"	53 5/8"
(6) Base Cabinets (O.D.)	35 1/4"	35"	19 3/4"
Reagent Rack	12'	20 1/2"	12"
Epoxy Resin Trough (O.D.) (Trough Depth: 5 1/16")	11' 7"	-	7 5/8"
Epoxy Resin End Sink (O.D.) (Sink Depth: 12 5/8")	22 1/2"	-	14

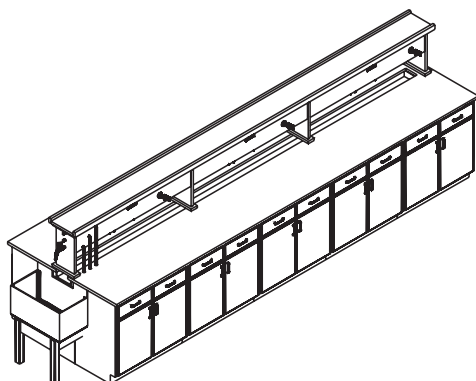
Catalog Number: 6230B

Same as 6230A except each base cabinet is (3) drawers and (1) full height cupboard

Catalog Number: 6230C

Same as 6230A except each base cabinet is (4) drawers and (1) 2/3 height cupboard

Advanced Research Tables - 10 Student Chemistry Table



Equipment:

- (10) single gas cocks
- (5) cold water cocks
- (6) duplex AC receptacles
- (1) epoxy drain trough
- (1) end sink
- (1) polypropylene sink outlet
- (1) cold water bibb cock
- 1" thick reagent racks constructed out of black phenolic.
Fascia panel are 3/4" thick, when provided
- 1" thick work surface - material to be specified

Note: Traps, service piping and electric conduit are not included

Catalog Number: 6232A

Dimensions of Components	Width	Height	Depth
Work Surface	14' 11 1/2"	36"	53 5/8"
(10) Base Cabinets (O.D.)	35 1/4"	35"	19 3/4"
Reagent Rack	14' 11 1/2"	20 1/2"	12"
Epoxy Resin Trough (O.D.) (Trough Depth: 5 1/16")	11' 7"	-	7 5/8"
Epoxy Resin End Sink (O.D.) (Sink Depth: 12 5/8")	22 1/2"	-	14

Catalog Number: 6232B

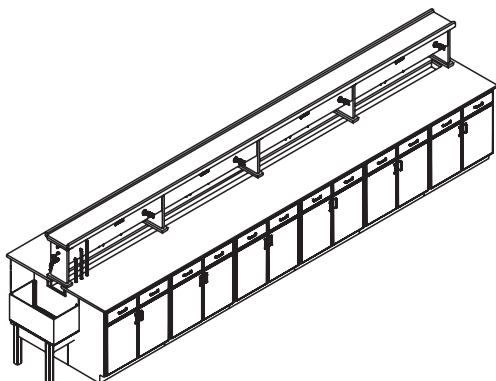
Same as 6232A except each base cabinet is (3) drawers and (1) full height cupboard

Catalog Number: 6232C

Same as 6232A except each base cabinet is (4) drawers and (1) 2/3 height cupboard

Wood Science and Laboratory Furniture

Advanced Research Tables - 12 Student Chemistry Table



Equipment:

- (12) single gas cocks
- (6) cold water cocks
- (6) duplex AC receptacles
- (1) epoxy drain trough
- (1) end sink
- (1) polypropylene sink outlet
- (1) cold water bibb cock
- 1" thick reagent racks constructed out of black phenolic. Fascia panel are 3/4" thick, when provided
- 1" thick work surface - material to be specified

Note: Traps, service piping and electric conduit are not included

Catalog Number: 6234A				
Dimensions of Components	Width	Height	Depth	
Work Surface	17' 10 1/2"	36"	53 5/8"	
(12) Base Cabinets (O.D.)	35 1/4"	35"	19 3/4"	
Reagent Rack	12'	20 1/2"	12"	
Epoxy Resin Trough (O.D.) (Trough Depth: 5 1/16")	17' 10 1/2"	-	7 5/8"	
Epoxy Resin End Sink (O.D.) (Sink Depth: 12 5/8")	22 1/2"	-	14"	

Catalog Number: 6234B

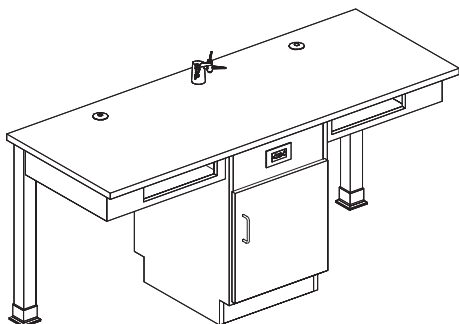
Same as 6234A except each base cabinet is (3) drawers and (1) full height cupboard

Catalog Number: 6234C

Same as 6234A except each base cabinet is (4) drawers and (1) 2/3 height cupboard

Wood Science and Laboratory Furniture

2 Student Physics Table



Equipment:

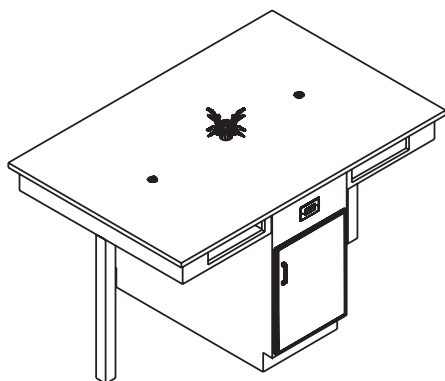
- (1) double gas cock
- (1) duplex AC receptacle
- (2) rod sockets
- Cupboard is equipped with (1) adjustable shelf and (1) removable tote tray, #6342
- 1" thick work surface - material to be specified

Note: Burette rods and upright rod assemblies are not included.

Catalog Number: 6260

Dimensions of Components	Width	Height	Depth
Overall	64"	30"	24"
(1) Base Cabinet (O.D.)	18"	29"	22"
(2) Compartments (I.D.)	13 1/2"	3"	16"
(1) Cupboard (I.D.)	16 1/2"	17 1/4"	20 3/4"

4 Student Physics Table



Equipment:

- (1) four-way gas cock
- (2) duplex AC receptacle
- (2) rod sockets
- Double-faced cabinet is equipped with (1) adjustable shelf and (1) removable tote tray, #6342
- 1" thick work surface - material to be specified

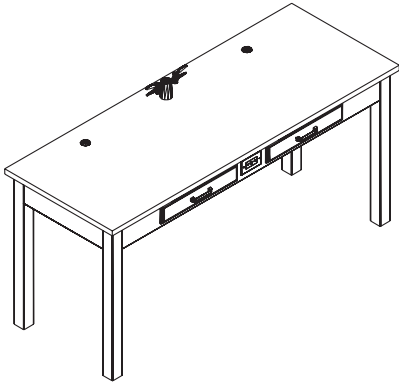
Note: Burette rods and upright rod assemblies are not included.

Catalog Number: 6262

Dimensions of Components	Width	Height	Depth
Overall	64"	30"	42"
(1) Base Cabinet (O.D.)	18"	29"	39 1/2"
(4) Compartments (I.D.)	13 1/2"	3"	16"
(2) Cupboards (I.D.)	16 1/2"	17 1/4"	16 1/4"

Wood Science and Laboratory Furniture

2 Student Physics Table

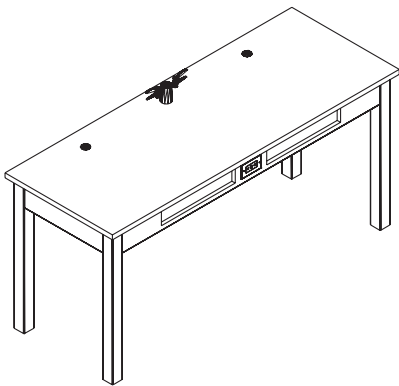


Equipment:

- (1) double gas cock
- (1) duplex AC receptacle
- (2) rod sockets (36" apart and 4" from back edge)
- 1" thick work surface - material to be specified

Note: Burette rods and upright rod assemblies are not included.

Catalog Number: 6264			
Dimensions of Components	Width	Height	Depth
Overall	64"	30"	24"
(2) Drawers (I.D.)	14 1/2"	2 1/4"	15"

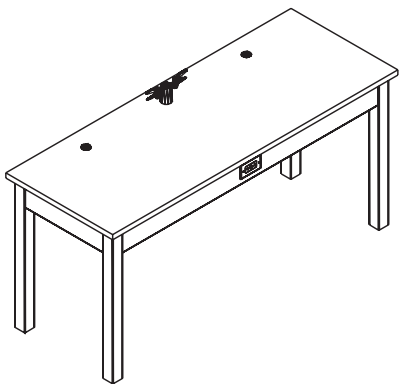


Equipment:

- (1) double gas cock
- (1) duplex AC receptacle
- (2) rod sockets (36" apart and 4" from back edge)
- 1" thick work surface - material to be specified

Note: Burette rods and upright rod assemblies are not included.

Catalog Number: 6268			
Dimensions of Components	Width	Height	Depth
Overall	64"	30"	24"
(2) Compartments (I.D.)	16 1/2"	3"	15 5/8"



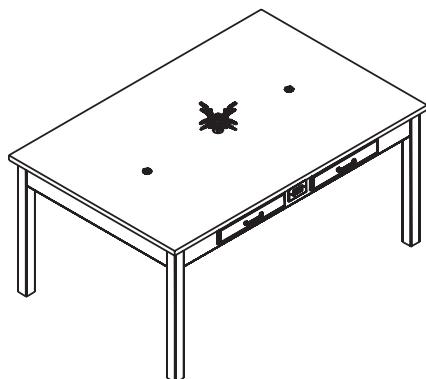
Equipment:

- (1) double gas cock
- (1) duplex AC receptacle
- (2) rod sockets (36" apart and 4" from back edge)
- 1" thick work surface - material to be specified

Note: Burette rods and upright rod assemblies are not included.

Catalog Number: 6272			
Dimensions of Components	Width	Height	Depth
Overall	64"	30"	24"

4 Student Physics Table

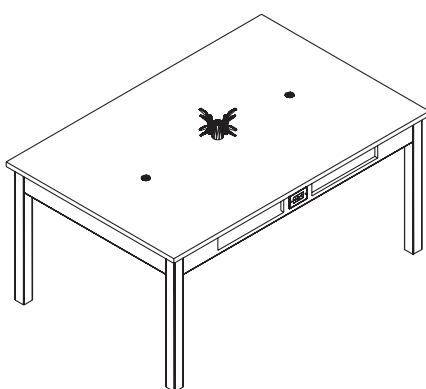


Equipment:

- (1) four-way gas cock
- (2) duplex AC receptacle
- (2) rod sockets (36" apart and on center line)
- 1" thick work surface - material to be specified

Note: Burette rods and upright rod assemblies are not included.

Catalog Number: 6266			
Dimensions of Components	Width	Height	Depth
Overall	64"	30"	42"
(2) Drawers (I.D.)	14 1/2"	2 1/4"	15"

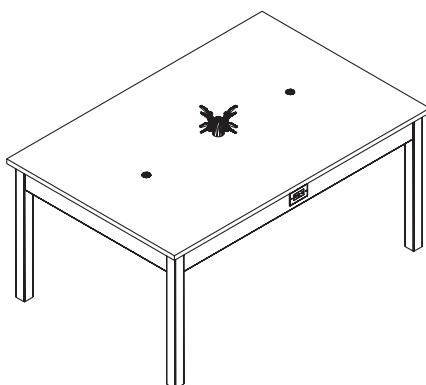


Equipment:

- (1) four-way gas cock
- (2) duplex AC receptacle
- (2) rod sockets (36" apart and on center line)
- 1" thick work surface - material to be specified

Note: Burette rods and upright rod assemblies are not included.

Catalog Number: 6270			
Dimensions of Components	Width	Height	Depth
Overall	64"	30"	42"
(2) Compartments (I.D.)	16 1/2"	3"	15 5/8"



Equipment:

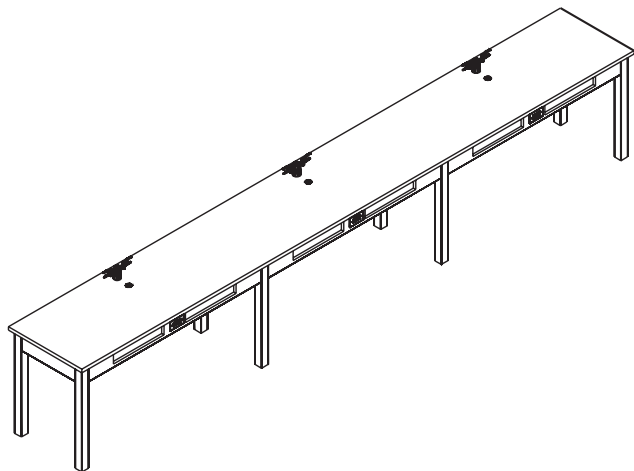
- (1) four-way gas cock
- (2) duplex AC receptacle
- (2) rod sockets (36" apart and on center line)
- 1" thick work surface - material to be specified

Note: Burette rods and upright rod assemblies are not included.

Catalog Number: 6274			
Dimensions of Components	Width	Height	Depth
Overall	64"	30"	42"

Wood Science and Laboratory Furniture

6 Student Physics Table



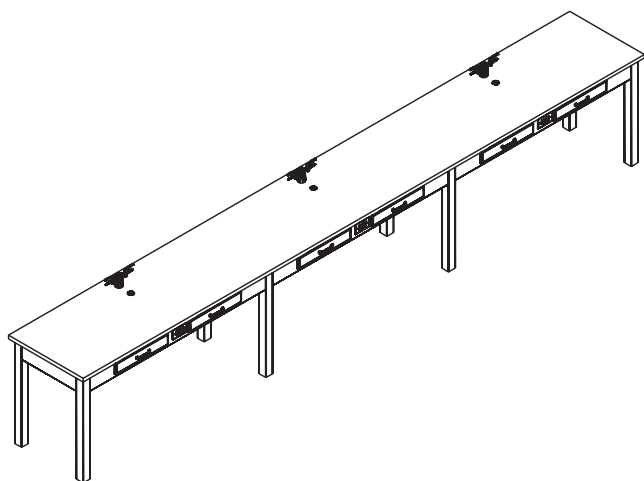
Equipment:

- (3) double gas cocks
- (3) rod sockets
- (3) duplex AC receptacles
- 1" thick work surface - material to be specified

Note: Burette rods and upright rod assemblies are not included.

Catalog Number: 6280

Dimensions of Components	Width	Height	Depth
Overall	15'	30"	24"
(2) Compartments (I.D.)	16 1/2"	3"	15 5/8"



Equipment:

- (3) double gas cocks
- (3) rod sockets
- (3) duplex AC receptacles
- 1" thick work surface - material to be specified

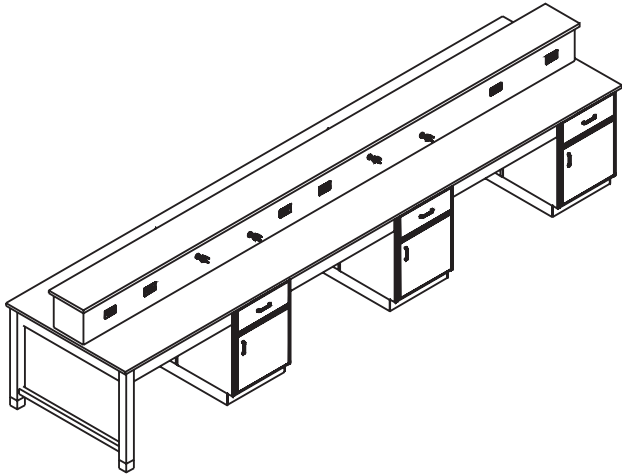
Note: Burette rods and upright rod assemblies are not included.

Catalog Number: 6282

Dimensions of Components	Width	Height	Depth
Overall	15'	30"	24"
(2) Compartments (I.D.)	13"	2 1/4"	16 1/2"

Wood Science and Laboratory Furniture

6 Student Physics Table



This unit is an island assembly consisting of:

- (6) 18" wide drawer over cupboard base cabinets, #1254
- (6) 42 1/2" wide knee spaces
- (1) double faced box curb assembly

Equipment:

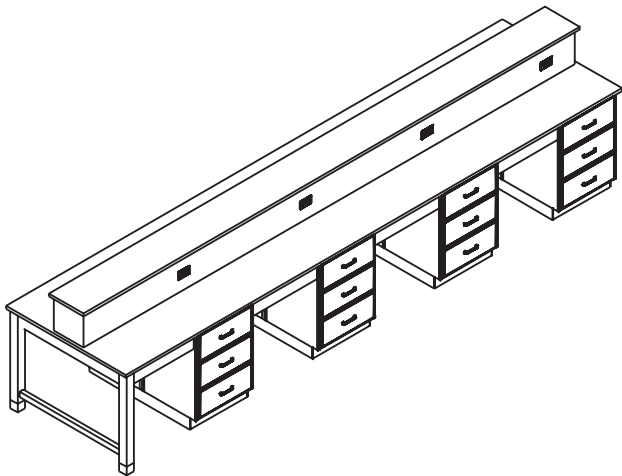
- (12) duplex AC receptacles
- (4) gas cocks
- (4) air cocks
- (6) adjustable shelves
- 1" thick work surface - material to be specified

Note: Service piping and electric conduit are not included.

Catalog Number: 6284

Dimensions of Components	Width	Height	Depth
Work Surface	15' 6"	36"	60"
Box Curb (O.D.)	15' 4"	9"	8"
Ledge Cap (O.D.)	15' 6"	10"	-
(6) Base Cabinets (O.D.)	18"	35"	22 1/2"
(6) Drawers (I.D.)	14 1/2"	6"	17"
(6) Cupboards (I.D.)	16 1/2"	21 3/4"	20 3/4"

8 Student Physics Table



This unit is an island assembly consisting of:

- (8) 18" wide, 3 drawer base cabinets, #2454
- (8) 20" wide knee spaces
- (1) double face box curb assembly

Equipment:

- (8) duplex AC receptacles
- 1" thick work surface - material to be specified

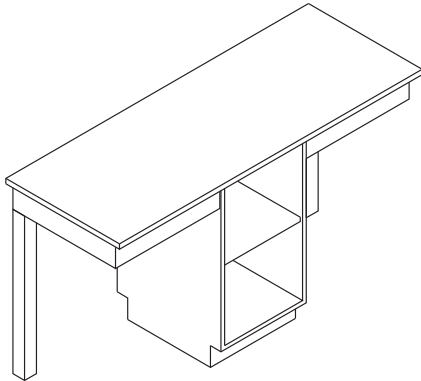
Note: Service piping and electric conduit are not included.

Catalog Number: 6286

Dimensions of Components	Width	Height	Depth
Work Surface	13'	30"	54"
Box Curb (O.D.)	12' 10"	7 3/4"	8"
Ledge Cap (O.D.)	13'	10"	-
(8) Base Cabinets (O.D.)	18"	29"	22 1/2"
(24) Drawers (I.D.)	14 1/2"	6 1/2"	17"

Wood Science and Laboratory Furniture

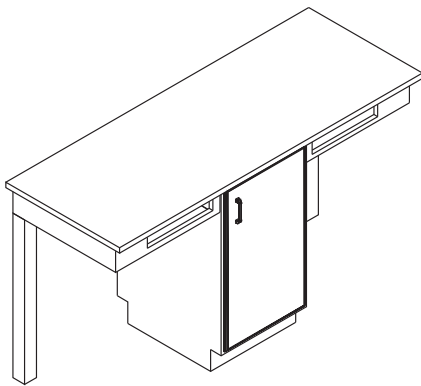
2 Student Biology Table



Equipment:

- (1) full depth adjustable shelf
- 1" thick work surface - material to be specified

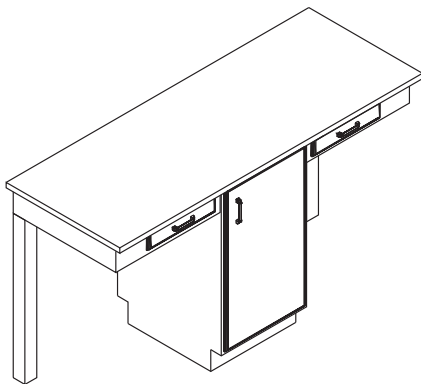
Catalog Number: 6300			
Dimensions of Components	Width	Height	Depth
Overall	64"	30"	24"
(1) Base Cabinet (O.D.)	18"	29"	22"
(1) Cupboard (I.D.)	16 1/2"	23 1/4"	20 3/4"



Equipment:

- (1) full depth adjustable shelf
- 1" thick work surface - material to be specified

Catalog Number: 6304			
Dimensions of Components	Width	Height	Depth
Overall	64"	30"	24"
(1) Base Cabinet (O.D.)	18"	29"	22"
(2) Compartments (I.D.)	13 7/8"	3"	16"
(1) Cupboard (I.D.)	16 1/2"	23 1/4"	20 3/4"

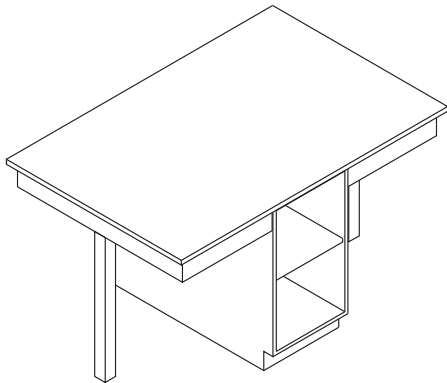


Equipment:

- (1) full depth adjustable shelf
- 1" thick work surface - material to be specified

Catalog Number: 6308			
Dimensions of Components	Width	Height	Depth
Overall	64"	30"	24"
(1) Base Cabinet (O.D.)	18"	29"	22"
(1) Cupboard (I.D.)	16 1/2"	23 1/4"	20 3/4"
(2) Drawers (I.D.)	11 7/8"	2 1/4"	15"

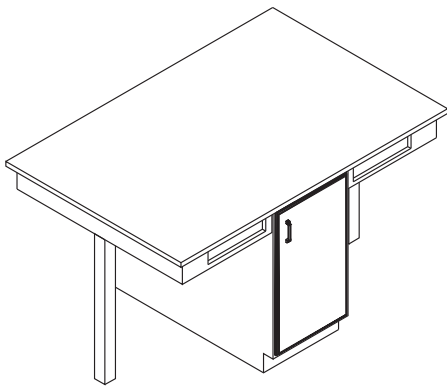
4 Student Biology Table



Equipment:

- (1) full depth adjustable shelf
- 1" thick work surface - material to be specified

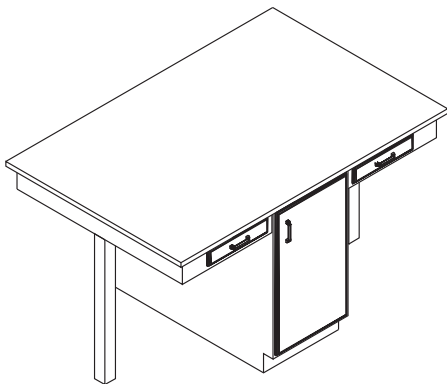
Catalog Number: 6302			
Dimensions of Components	Width	Height	Depth
Overall	64"	30"	42"
(1) Base Cabinet (O.D.)	18"	29"	39 1/2"
(1) Cupboard (I.D.)	16 1/2"	23 1/4"	38 1/2"



Equipment:

- (1) full depth adjustable shelf
- 1" thick work surface - material to be specified

Catalog Number: 6306			
Dimensions of Components	Width	Height	Depth
Overall	64"	30"	42"
(1) Base Cabinet (O.D.)	18"	29"	39 1/2"
(1) Double Faced Cupboard (I.D.)	16 1/2"	23 1/4"	38 1/2"
(4) Compartments (I.D.)	13 7/8"	3"	16"



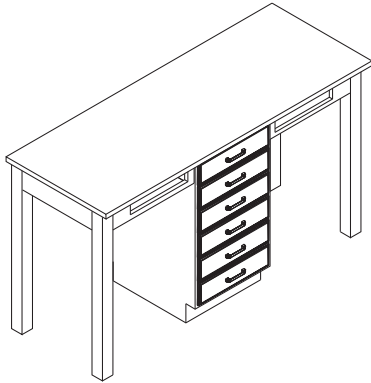
Equipment:

- (1) full depth adjustable shelf
- 1" thick work surface - material to be specified

Catalog Number: 6310			
Dimensions of Components	Width	Height	Depth
Overall	64"	30"	42"
(1) Base Cabinet (O.D.)	18"	29"	39 1/2"
(1) Double Faced Cupboard (I.D.)	16 1/2"	23 1/4"	38 1/2"
(4) Drawers (I.D.)	11 7/8"	2 1/4"	15"

Wood Science and Laboratory Furniture

2 Student Biological Science Table



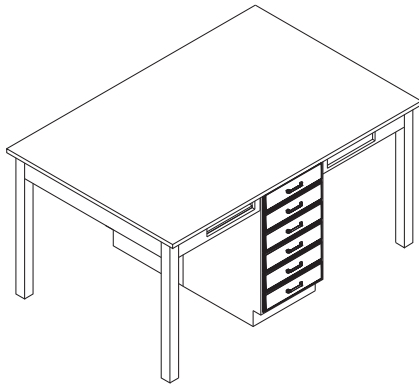
Equipment:

- (6) drawers base cabinet
- (2) compartments
- 1" thick work surface - material to be specified

Catalog Number: 6333A

Dimensions of Components	Width	Height	Depth
Overall	72"	30"	24"
(1) Base Cabinet (O.D.)	18"	29"	22"
(6) Drawers (I.D.)	14 1/2"	2 1/2"	17"
(2) Compartments (I.D.)	16 1/2"	3"	16"

4 Student Biological Science Table



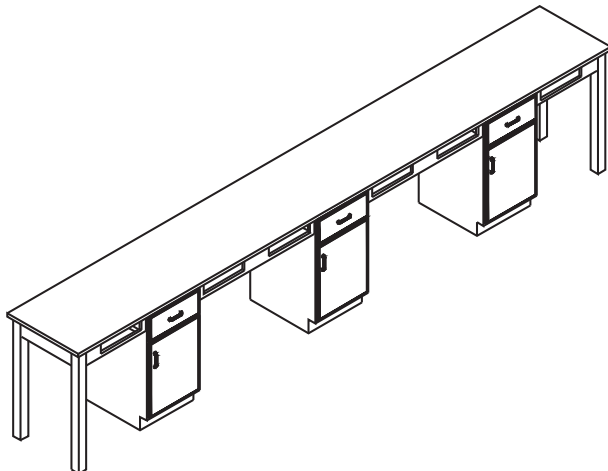
Equipment:

- (12) drawers base cabinet
- (4) compartments
- 1" thick work surface - material to be specified

Catalog Number: 6333B

Dimensions of Components	Width	Height	Depth
Overall	72"	30"	48"
(2) Base Cabinet (O.D.)	18"	29"	22 1/2"
(12) Drawers (I.D.)	14 1/2"	2 1/2"	17"
(4) Compartments (I.D.)	16 1/2"	3"	16"

6 Student Biological Science Table



Equipment:

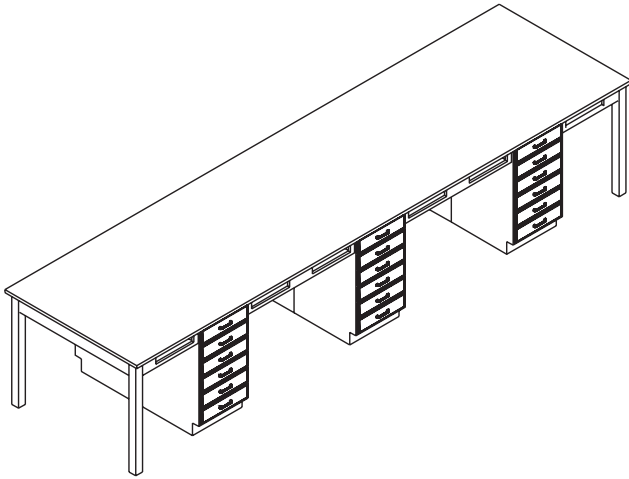
- (3) drawers base cabinet
- (3) adjustable shelves
- 1" thick work surface - material to be specified

Catalog Number: 6334A

Dimensions of Components	Width	Height	Depth
Overall	15'	30"	24"
(3) Base Cabinet (O.D.)	18"	29"	22"
(3) Drawers (I.D.)	14 1/2"	4 1/2"	17"
(3) Cupboards (I.D.)	16 1/2"	17 1/4"	20 3/4"
(6) Compartments (I.D.)	13 7/8"	3"	16"

Wood Science and Laboratory Furniture

12 Student Biological Science Table



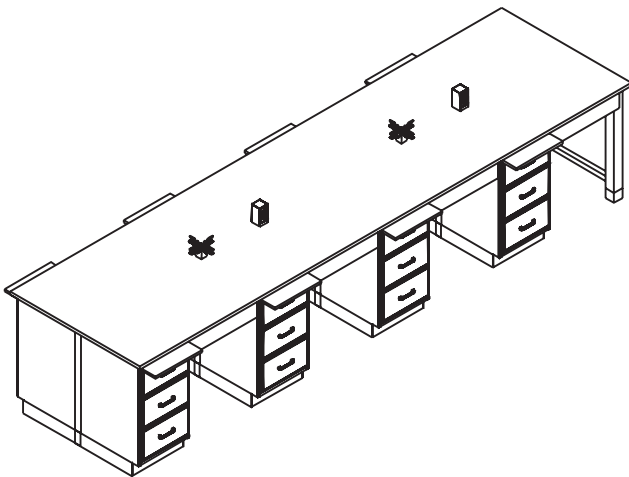
Equipment:

- (24) drawers, base cabinet
- (12) compartments
- 1" thick work surface - material to be specified

Catalog Number: 6334B

Dimensions of Components	Width	Height	Depth
Overall	15'	30"	48"
(3) Base Cabinet (O.D.)	18"	29"	22 1/2"
(24) Drawers (I.D.)	14 1/2"	4 1/2"	17"
(12) Compartments (I.D.)	13 7/8"	3"	16"

8 Student Biological Science Table



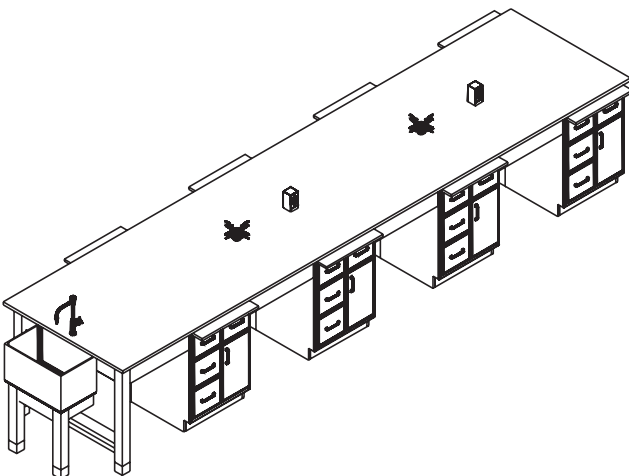
Equipment:

- (2) four-way gas cocks
- (2) double faced pedestal boxes each containing (2) duplex AC receptacles
- 1" thick work surface - material to be specified

Note: Trap, service piping and electric conduit are not included.

Catalog Number: 6335A

Dimensions of Components	Width	Height	Depth
Overall	14'	30"	54"
(8) Base Cabinet (O.D.)	18"	29"	22 1/2"
(8) Drawers (I.D.)	14 1/2"	6 1/2"	17"
(16) Drawers (I.D.)	14 1/2"	6"	17"
(8) Writing Slides	16 3/8"	-	17 3/4"



Equipment:

- (2) four-way gas cocks
- (1) cold water gooseneck faucet
- (2) double faced pedestal boxes, each containing (2) AC receptacles
- (1) epoxy resin sink
- (1) polypropylene sink outlet
- 1" thick work surface - material to be specified

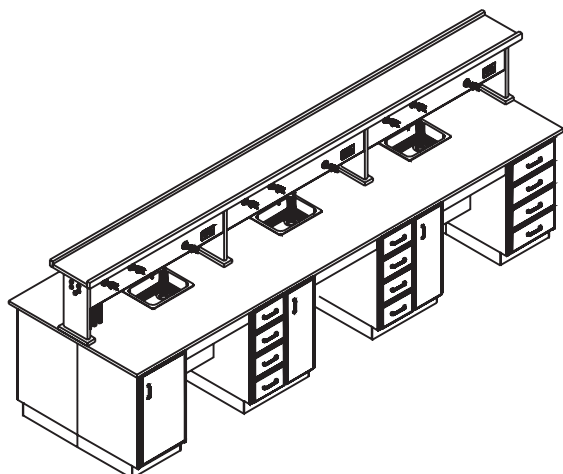
Note: Trap, service piping and electric conduit are not included.

Catalog Number: 6335B

Dimensions of Components	Width	Height	Depth
Overall	16'	30"	54"
(8) Base Cabinets (O.D.)	24"	29"	22 1/2"
(8) Cupboards (I.D.)	10 7/8"	14 3/4"	20 3/4"
(24) Drawers (I.D.)	8 7/8"	6"	17"
(8) Drawers (I.D.)	8 7/8"	6 1/2"	17"
(8) Writing Slides	22 3/8"	-	17 3/4"
End Sink (O.D.)	22 1/2"	-	14 1/2"
(Sink Depth: 12 5/8"			

Wood Science and Laboratory Furniture

6 Student Biological Science Table



Equipment:

- (6) cold water cocks
- (6) gas cocks
- (6) air cocks
- (6) vacuum cocks
- (6) duplex AC receptacles
- (3) epoxy resin sinks
- (3) polypropylene sink outlets
- (6) adjustable shelves
- (1) reagent rack constructed out of phenolic resin with 3/4" thick fascia and 1" thick uprights and shelf
- 1" thick work surface - material to be specified

Note: Trap, drain line, service piping and electric conduit are not included.

Catalog Number: 6336A

Dimensions of Components	Width	Height	Depth
Overall	15'	36"	54"
(2) Base Cabinets (O.D.)	18"	35"	22 1/2"
(2) Cupboards (I.D.)	16 1/2"	29 3/4"	20 3/4"
(4) Base Cabinets (O.D.)	35 1/4"	35"	22 1/2"
(16) Drawers (I.D.)	14 1/2"	6"	17"
(4) Cupboards (I.D.)	16 1/2"	29 1/4"	20 3/4"
(2) Base Cabinets (O.D.)	18"	35"	22 1/2"
(8) Drawers (I.D.)	14 1/2"	6"	17"
Reagent Rack (O.D.)	15'	20 1/2"	12"
(3) End Sinks (O.D.) (Sink Depth: 6")	18"	-	6 1/2"

Wood Science and Laboratory Furniture

Perimeter Base Cabinets - 24" Wide

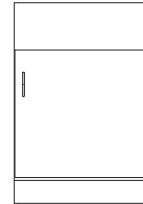
Perimeter Base Cabinets are used with Perimeter Table Styles, shown on the following pages. All cabinets on this page are 24" Wide x 35" Tall x 16" Deep. Drawers are 13" Deep I.D. and cupboards are 14 3/4" Deep I.D. Shelves are full depth and adjustable. There are 2 part numbers for each cabinet to indicate whether the cabinet is to be used in the "Wall Section" or "Student Section" of a Perimeter Style Table.



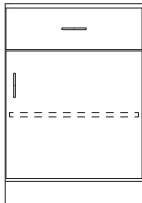
Student Section Cat. No.	Wall Section Cat. No.
10	AA



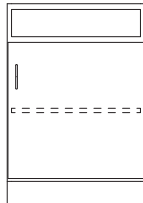
Student Section Cat. No.	Wall Section Cat. No.
12	AB



Student Section Cat. No.	Wall Section Cat. No.
14	AC



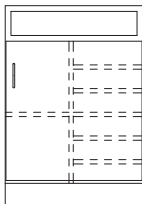
Student Section Cat. No.	Wall Section Cat. No.
16	AD



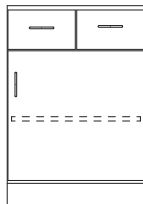
Student Section Cat. No.	Wall Section Cat. No.
18	AE



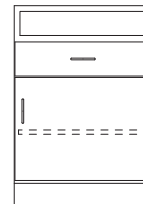
Student Section Cat. No.	Wall Section Cat. No.
20	AF



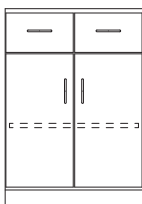
Student Section Cat. No.	Wall Section Cat. No.
21	AG



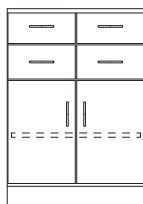
Student Section Cat. No.	Wall Section Cat. No.
22	AH



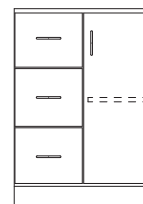
Student Section Cat. No.	Wall Section Cat. No.
24	AJ



Student Section Cat. No.	Wall Section Cat. No.
26	AK



Student Section Cat. No.	Wall Section Cat. No.
28	AL

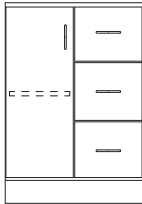


Student Section Cat. No.	Wall Section Cat. No.
30	AM

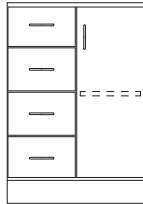
Wood Science and Laboratory Furniture

Perimeter Base Cabinets - 24" Wide

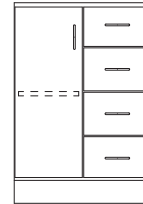
Perimeter Base Cabinets are used with Perimeter Table Styles, shown on the following pages. All cabinets on this page are 24" Wide x 35" Tall x 16" Deep. Drawers are 13" Deep I.D. and cupboards are 14 3/4" Deep I.D. Shelves are full depth and adjustable. There are 2 part numbers for each cabinet to indicate whether the cabinet is to be used in the "Wall Section" or "Student Section" of a Perimeter Style Table.



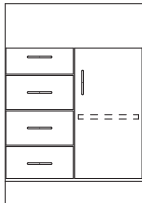
Student Section Cat. No.	Wall Section Cat. No.
32	AN



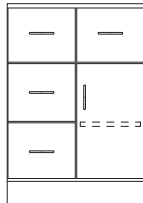
Student Section Cat. No.	Wall Section Cat. No.
34	AO



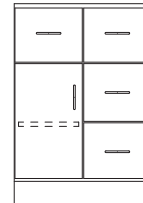
Student Section Cat. No.	Wall Section Cat. No.
36	AP



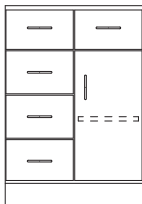
Student Section Cat. No.	Wall Section Cat. No.
38	AQ



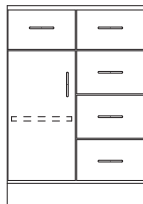
Student Section Cat. No.	Wall Section Cat. No.
40	AR



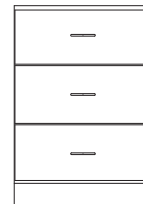
Student Section Cat. No.	Wall Section Cat. No.
42	AS



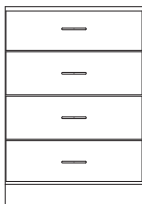
Student Section Cat. No.	Wall Section Cat. No.
44	AT



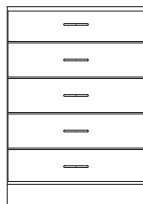
Student Section Cat. No.	Wall Section Cat. No.
46	AU



Student Section Cat. No.	Wall Section Cat. No.
48	AV



Student Section Cat. No.	Wall Section Cat. No.
50	AW



Student Section Cat. No.	Wall Section Cat. No.
52	AX



Student Section Cat. No.	Wall Section Cat. No.
54	AY

Wood Science and Laboratory Furniture

Perimeter Base Cabinets - 24" Wide

Perimeter Base Cabinets are used with Perimeter Table Styles, shown on the following pages. All cabinets on this page are 24" Wide x 35" Tall x 16" Deep. Drawers are 13" Deep I.D. and cupboards are 14 3/4" Deep I.D. Shelves are full depth and adjustable. There are 2 part numbers for each cabinet to indicate whether the cabinet is to be used in the "Wall Section" or "Student Section" of a Perimeter Style Table.



Student Section Cat. No.	Wall Section Cat. No.
-----------------------------	--------------------------

56

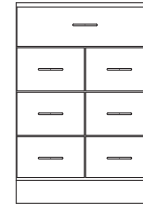
AZ



Student Section Cat. No.	Wall Section Cat. No.
-----------------------------	--------------------------

60

BB



Student Section Cat. No.	Wall Section Cat. No.
-----------------------------	--------------------------

62

BC



Student Section Cat. No.	Wall Section Cat. No.
-----------------------------	--------------------------

64

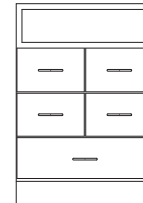
BD



Student Section Cat. No.	Wall Section Cat. No.
-----------------------------	--------------------------

66

BE



Student Section Cat. No.	Wall Section Cat. No.
-----------------------------	--------------------------

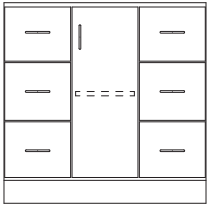
68

BF

Wood Science and Laboratory Furniture

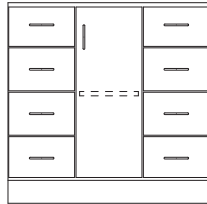
Perimeter Base Cabinets - 35 1/4" Wide

Perimeter Base Cabinets are used with Perimeter Table Styles, shown on the following pages. All cabinets on this page are 35 1/4" Wide x 35" Tall x 16" Deep. Drawers are 13" Deep I.D. and cupboards are 14 3/4" Deep I.D. Shelves are full depth and adjustable. These cabinets can only be used in the "Student Section".



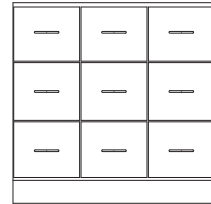
Student Section Cat. No.

72



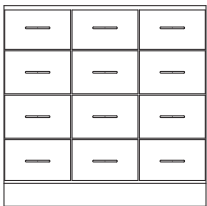
Student Section Cat. No.

74



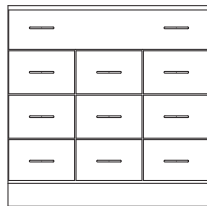
Student Section Cat. No.

78



Student Section Cat. No.

82

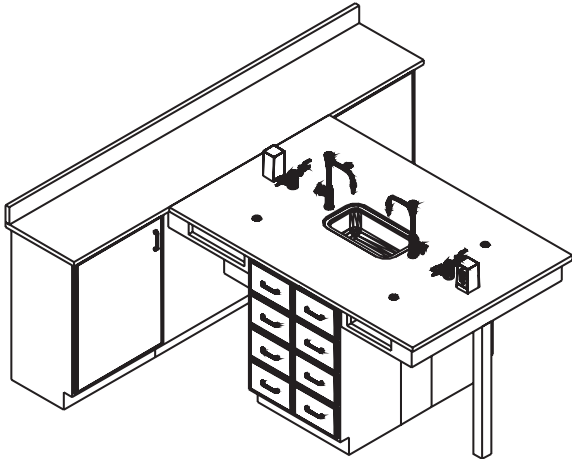


Student Section Cat. No.

84

Wood Science and Laboratory Furniture

Perimeter Laboratory Tables



This table features (4) compartments in the “Student Section” for transit storage of books or tote trays.

Equipment:

- (2) cold water gooseneck faucets
- (2) double gas cocks
- (2) single faced duplex AC pedestal type receptacles
- (1) epoxy resign sink
- (1) polypropylene sink outlet with disc strainer
- (4) rod sockets
- 1” thick work surface - material to be specified

Note: Burette rods and upright rod assemblies are not included, order separately. Traps, service piping and electric conduit are not included.

Catalog Number: 6A 60 AB			
Dimensions of Components	Width	Height	Depth
Student Section Overall	64"	36"	42"
Wall Section Overall	90"	36"	18"
Sink (I.D.) (Sink Depth: 7")	16"	-	8"

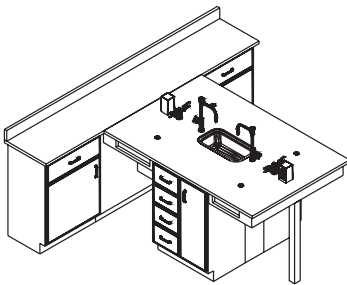
Other Variation Examples

Other designs can be created by selecting other combinations of perimeter base cabinets.

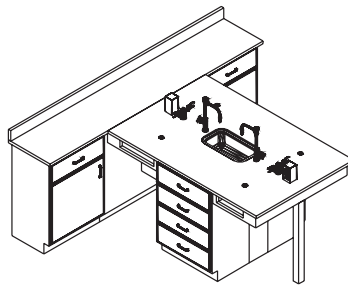
Perimeter Table Style Number: First 2 letter/number combination

Base Cabinet under the Student Section: 2 digit number following the “Perimeter Table Style Number”

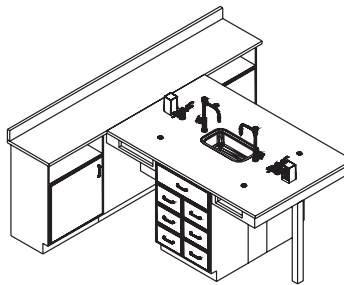
Base Cabinet under the Wall Section: Last 2 letters.



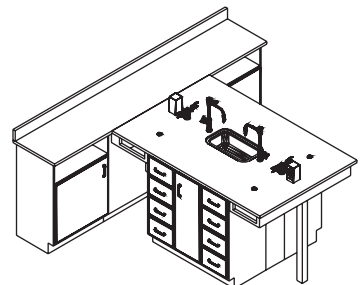
Catalog Number: 6A 34 AD



Catalog Number: 6A 50 AD



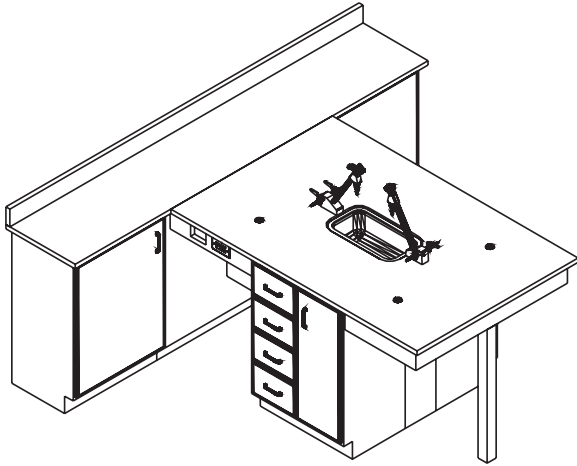
Catalog Number: 6A 62 AE



Catalog Number: 6A 74 AG

Wood Science and Laboratory Furniture

Perimeter Laboratory Tables



This table features plain rails and a rod storage compartments in the “Student Section”.

Equipment:

- (2) multi-service fixtures: containing (1) cold water gooseneck and (2) gas cocks
- (2) duplex AC receptacles
- (1) epoxy resin sink
- (1) polypropylene sink outlet with disc strainer
- (4) rod sockets
- 1” thick work surface - material to be specified

Note: Burette rods and upright rod assemblies are not included, order separately. Traps, service piping and electric conduit are not included.

Catalog Number: 6B 34 AB

Dimensions of Components	Width	Height	Depth
Student Section Overall	64”	36”	42”
Wall Section Overall	90”	36”	18”
Rod Storage Compartment	4”	3”	39”
Sink (I.D.) (Sink Depth: 7”)	16”	-	8”

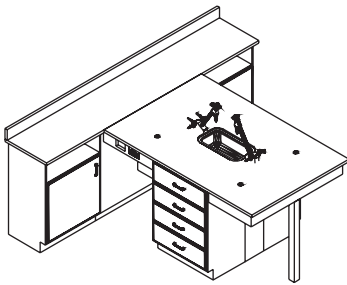
Other Variation Examples

Other designs can be created by selecting other combinations of perimeter base cabinets.

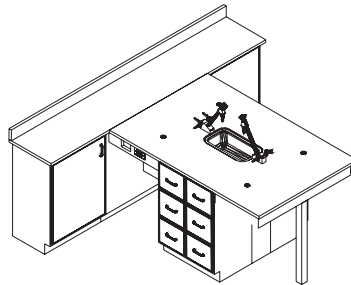
Perimeter Table Style Number: First 2 letter/number combination

Base Cabinet under the Student Section: 2 digit number following the “Perimeter Table Style Number”

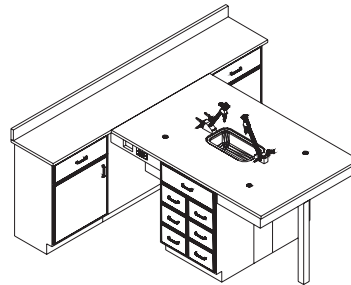
Base Cabinet under the Wall Section: Last 2 letters.



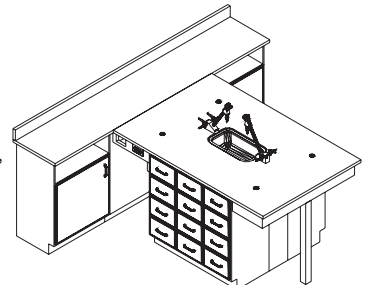
Catalog Number: 6B 50 AE



Catalog Number: 6B 54 AB



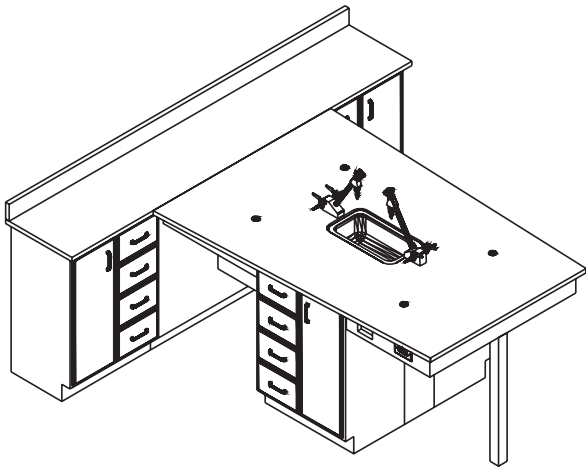
Catalog Number: 6B 62 AD



Catalog Number: 6B 82 AE

Wood Science and Laboratory Furniture

Perimeter Laboratory Tables



This table features a rod storage compartment in the “Student Section” and a trapezoid top measuring 48” wide at the “Wall Section” and tapering to 42” wide over the end compartment.

Equipment:

- (2) multi-service fixtures: containing (1) cold water gooseneck and (2) gas cocks
- (2) duplex AC receptacles
- (1) epoxy resin sink
- (1) polypropylene sink outlet with disc strainer
- (4) rock sockets
- 1” thick work surface - material to be specified

Note: Burette rods and upright rod assemblies are not included, order separately. Traps, service piping and electric conduit are not included.

Catalog Number: 6C 34 AO

Dimensions of Components	Width	Height	Depth
Student Section Overall	64”	36”	42”
Wall Section Overall	90”	36”	18”
Rod Storage Compartment	4”	3”	39”
Sink (I.D.) (Sink Depth: 7”)	16”	-	8”

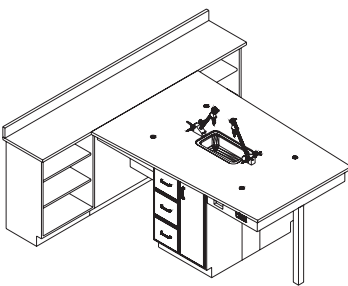
Other Variation Examples

Other designs can be created by selecting other combinations of perimeter base cabinets.

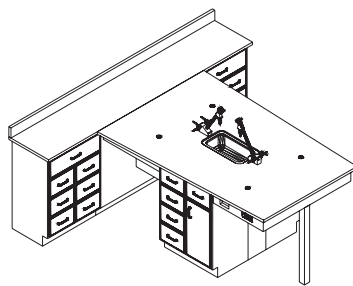
Perimeter Table Style Number: First 2 letter/number combination

Base Cabinet under the Student Section: 2 digit number following the “Perimeter Table Style Number”

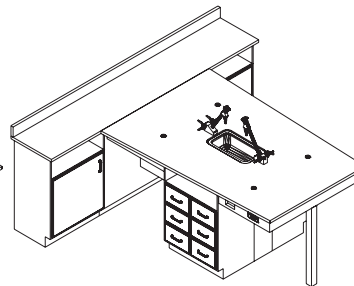
Base Cabinet under the Wall Section: Last 2 letters.



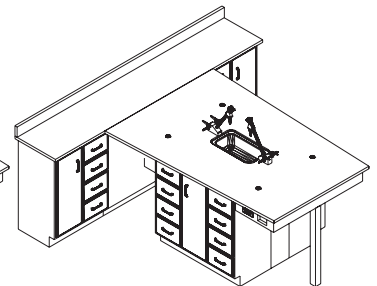
Catalog Number: 6C 30 AA



Catalog Number: 6C 44 BC



Catalog Number: 6C 66 AE

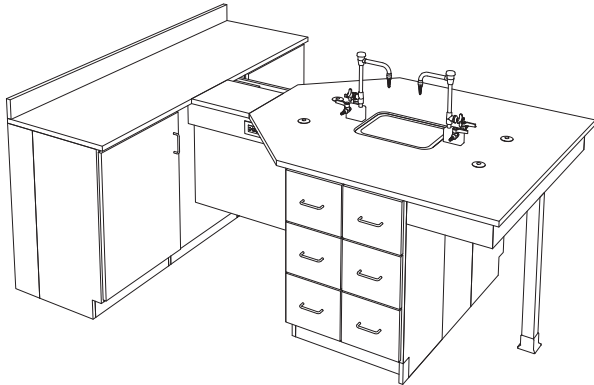


Catalog Number: 6C 74 AO

Wood Science and Laboratory Furniture

Styles 6D, 6E, 6F, 6G and 6H perimeter tables include the wall section as part of the table. Variations in the design are achieved by selecting 24" wide (only) Perimeter Base Cabinets for Student Section only. Wall sections are available only as shown in each Perimeter Table Style.

Perimeter Laboratory Tables



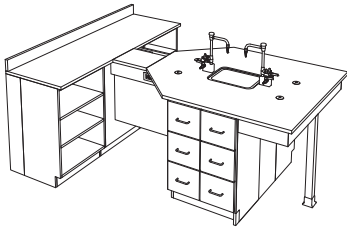
Equipment:

- (2) multi-service fixtures: containing (1) cold water gooseneck and (2) gas cocks
- (2) duplex AC receptacles
- (1) epoxy resin sink
- (1) polypropylene sink outlet with disc strainer
- (4) rod sockets
- Each cupboard is equipped with (1) adjustable shelf
- 1" thick work surface - material to be specified

Note: Burette rods and upright rod assemblies are not included, order separately. Traps, service piping and electric conduit are not included.

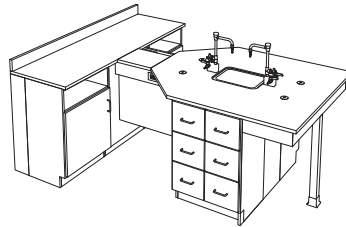
Catalog Number: 6D 54			
Dimensions of Components	Width	Height	Depth
Student Section Overall	48"	36"	72"
Wall Section Overall	72"	36"	18"
Sink (I.D.) (Sink Depth: 6")	10"	-	14"

Other Variations



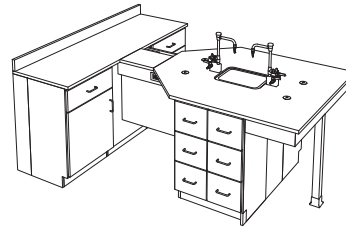
Catalog Number: 6E 54

Equipment is same as style 6D. Open cabinets have (2) adjustable shelves.



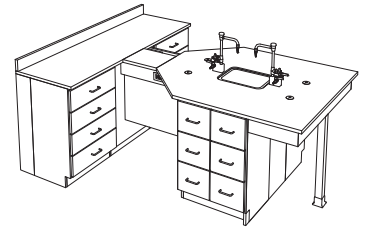
Catalog Number: 6F 54

Equipment is same as style 6D. Cupboards have (1) open compartment and (1) adjustable shelf.



Catalog Number: 6G 54

Equipment is same as style 6D. Cupboards have (1) drawer and (1) adjustable shelf.



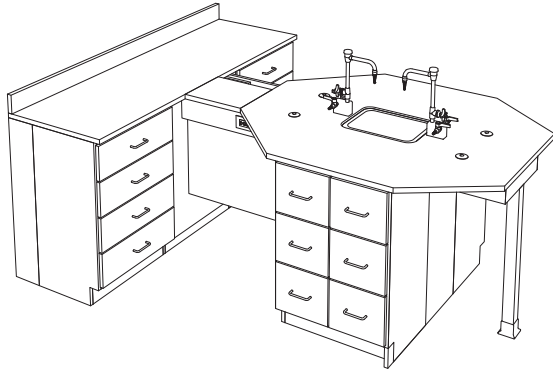
Catalog Number: 6H 54

Equipment is same as style 6D. Cabinets have (4) drawers.

Wood Science and Laboratory Furniture

Styles 6D, 6E, 6F, 6G and 6H perimeter tables include the wall section as part of the table. Variations in the design are achieved by selecting 24" wide (only) Perimeter Base Cabinets for Student Section only. Wall sections are available only as shown in each Perimeter Table Style.

Perimeter Laboratory Tables



Equipment:

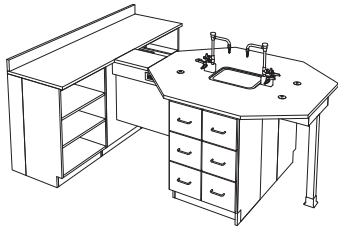
- (2) multi-service fixtures: containing (1) cold water gooseneck and (2) gas cocks
- (2) duplex AC receptacles
- (1) epoxy resin sink
- (1) polypropylene sink outlet with disc strainer
- (4) rod sockets
- 1" thick work surface - material to be specified

Note: Burette rods and upright rod assemblies are not included, order separately. Traps, service piping and electric conduit are not included.

Catalog Number: 6J 54

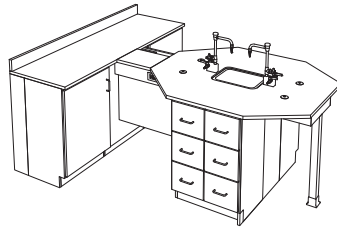
Dimensions of Components	Width	Height	Depth
Student Section Overall	72"	36"	48"
Wall Section Overall	72"	36"	18"
Sink (I.D.) (Sink Depth: 6")	14"	-	10"

Other Variations



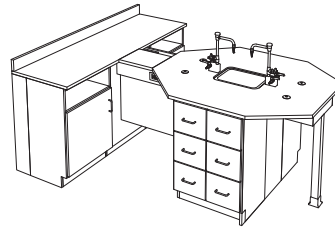
Catalog Number: 6K 54

Equipment is same as style 6J. Open cabinets have (2) adjustable shelves.



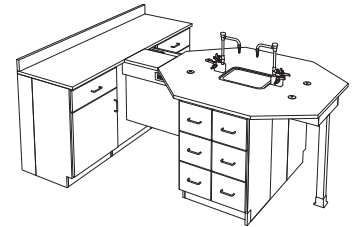
Catalog Number: 6L 54

Equipment is same as style 6J. Cupboards have (1) adjustable shelf.



Catalog Number: 6M 54

Equipment is same as style 6J. Cupboards have (1) open compartment and (1) adjustable shelf.

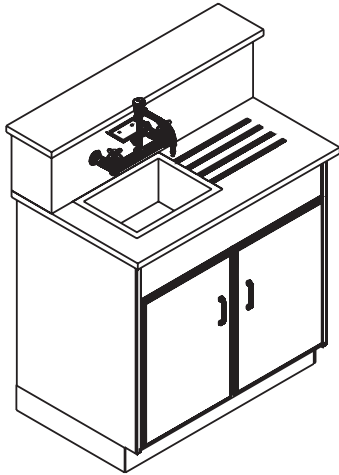


Catalog Number: 6N 54

Equipment is same as style 6J. Cupboards have (1) drawer and (1) adjustable shelf.

Wood Science and Laboratory Furniture

Laboratory Wall Sink



Equipment:

- (1) mixing faucet with soap dish
- (1) epoxy resin sink
- (1) polypropylene sink outlet with disc strainer
- Drainboard, hi-back and ledge cap are 1" thick - material to be specified.

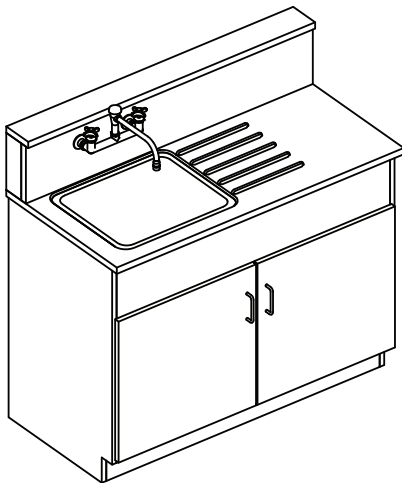
Note: Traps and service piping are not included.

Catalog Number: 6636

Dimensions of Components	Width	Height	Depth
Overall	37 1/4"	46"	24"
(1) Base Cabinet (O.D.)	35 1/4"	35"	22 1/2"
Hi-back	37 1/2"	9"	4 1/4"
Ledge Cap	37 1/4"	-	4 3/4"
Drainboard	17 3/4"	-	19 3/4"
(1) Cupboard (I.D.)	33 3/4"	21 3/4"	20 3/4"
Sink (I.D.) (Sink Depth: 8")	16"	-	12"

Catalog Number: 6637

Same as 6636 except 30" deep with 18" x 15" x 8" sink. Base cabinet is 28 3/4" D, ledge cap and high back remain the same.



Equipment:

- (1) mixing faucet
- (1) epoxy resin sink
- (1) polypropylene sink outlet with disc strainer
- Drainboard, hi-back and ledge cap are 1" thick - material to be specified.

Note: Traps and service piping are not included.

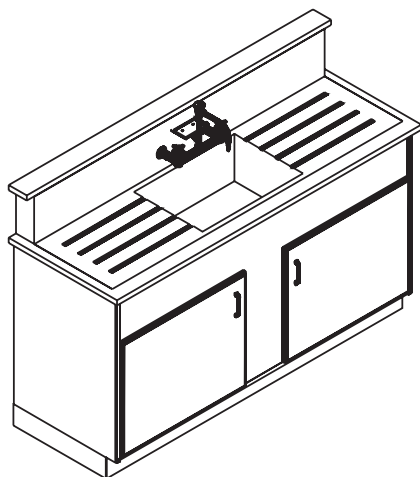
Catalog Number: 6638

Dimensions of Components	Width	Height	Depth
Overall	48"	46"	24"
(1) Base Cabinet (O.D.)	47 1/4"	35"	22 1/2"
Hi-back	48"	9"	4 1/4"
Ledge Cap	48"	-	4 3/4"
Drainboard	26 1/2"	-	19 3/4"
(1) Cupboard (I.D.)	45 3/4"	21 3/4"	20 3/4"
Sink (I.D.) (Sink Depth: 8")	18"	-	15"

Catalog Number: 6639

Same as 6638 except 30" deep. Base cabinet is 28 3/4", ledge cap and hi-back remain the same.

Laboratory Wall Sink



Equipment:

- (1) mixing faucet with soap dish
- (1) epoxy resin sink
- (1) polypropylene sink outlet with disc strainer
- Drainboard, hi-back and ledge cap are 1" thick - material to be specified.

Note: Traps and service piping are not included.

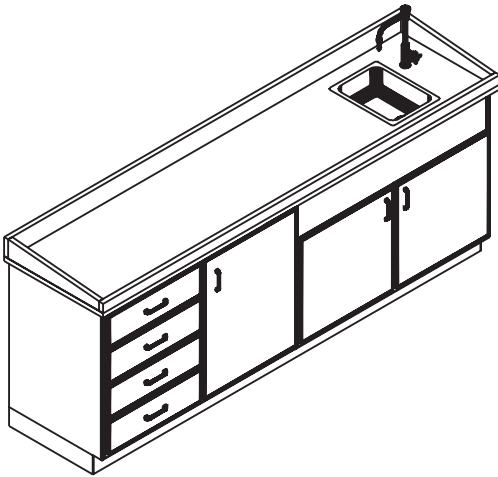
Catalog Number: 6640			
Dimensions of Components	Width	Height	Depth
Overall	60"	46"	24"
(1) Base Cabinet (O.D.)	58 1/4"	35"	22 1/2"
Hi-back	60"	9"	4 1/4"
Ledge Cap	60"	-	4 3/4"
(2) Drainboard	18 1/2"	-	19 3/4"
(1) Cupboard (I.D.)	58 3/4"	21 3/4"	20 3/4"
Sink (I.D.) (Sink Depth: 8")	24"	-	16"

Catalog Number: 6641

Same as 6640 except 30" deep. Base cabinet is 28 3/4" deep, ledge cap and hi-back remain the same.

Wood Science and Laboratory Furniture

Rinse Counter



Equipment:

- (1) cold water gooseneck faucet
- (2) adjustable shelves
- (1) epoxy resin sink
- (1) polypropylene sink outlet with disc strainer
- Top has a 4" back splash, 2" front retainer and side retainers
- 1" thick work surface - material to be specified.

Note: Traps and service piping are not included.

Catalog Number: 6642			
Dimensions of Components	Width	Height	Depth
Overall	72"	36"	24"
(1) Base Cabinet (O.D.)	41 1/4"	35"	22 1/2"
(1) Sink Cabinet (O.D.)	30"	35"	22 1/2"
(1) Cupboard (I.D.)	19 1/2"	29 1/4"	20 3/4"
(1) Cupboard (I.D.)	28 1/2"	21 3/4"	20 3/4"
(4) Drawers (I.D.)	17 1/2"	6"	17"
Sink (I.D.) (Sink Depth: 7")	16"	-	8"

Catalog Number: 6642-A

Same as 6642 except opposite hand.

Catalog Number: 6643

Same as 6642 except with 16" x 12" sink.

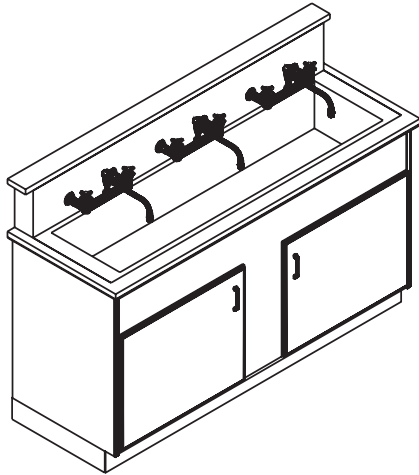
Catalog Number: 6644

Same as 6642 except 30" high and drawer unit has (3) drawers.

Catalog Number: 6644-A

Same as 6644 except opposite hand.

Wash-Up Sink



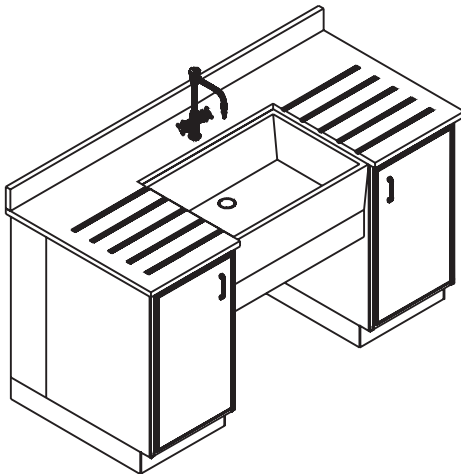
Equipment:

- (3) combination hot and cold water swing spout faucets
- (1) stainless steel sink assembly
- (1) stainless steel sink outlet with basket strainer
- Integral top and sink assembly of seamless welded construction is 16 gauge, 18-8 type, 302 stainless steel
- Exposed surfaces are polished to a #4 finish.
- Sink assembly is completely under coated for sound deadening.

Note: Traps and service piping are not included.

Catalog Number: 6650

Dimensions of Components	Width	Height	Depth
Overall	60"	36"	30"
(1) Base Cabinet (O.D.)	58 1/4"	35"	28 1/2"
(1) Cupboard (I.D.)	56 3/4"	21 3/4"	26 3/4"
Stainless Steel Sink Assembly (I.D.) (Sink Depth: 7 1/2")	54"	-	22"
Back Splash	11 1/4"	-	-
Ledge Cap	4 1/4"	-	-



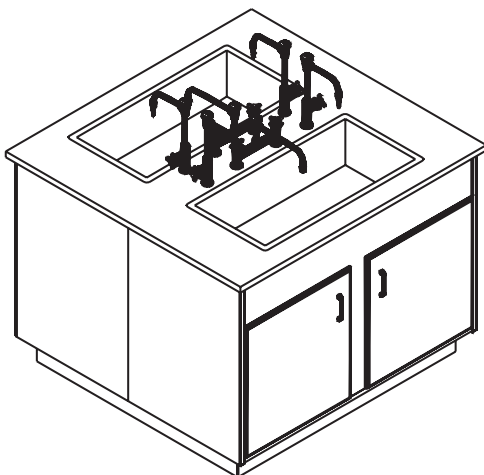
Equipment:

- (1) combination hot and cold water mixing faucet
- (1) epoxy resin sink
- (1) polypropylene sink outlet with strainer
- Cupboards have (1) adjustable shelf in each
- Work surface is 1" Rhearsin

Note: Traps and service piping are not included.

Catalog Number: 6651

Dimensions of Components	Width	Height	Depth
Overall	67"	36"	30"
(2) Base Cabinet (O.D.)	18"	35"	22 1/2"
(2) Cupboard (I.D.)	16 1/2"	29 1/4"	20 3/4"
Epoxy Sink (I.D.) (Sink Depth: 8 3/4")	28"	-	20"



Equipment:

- (2) hot and cold water mixing faucets with swing sprouts
- (4) cold water gooseneck faucets
- (2) integral stainless steel sinks
- (2) stainless steel sink strainers with tailpieces
- Top and integral sinks are 16 gauge, type 304 stainless steel.
- Exposed surfaces are polished to #4 finish

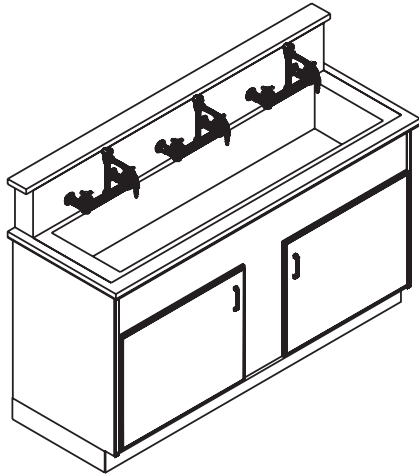
Note: Traps and service piping are not included.

Catalog Number: 7286

Dimensions of Components	Width	Height	Depth
Overall	54"	36"	54"
(2) Base Cabinet (O.D.)	50 5/8"	35"	22 1/2"
(2) Stainless Steel Sink (I.D.) (Sink Depth: 10")	32"	-	16"

Wood Science and Laboratory Furniture

Wash-Up Sink



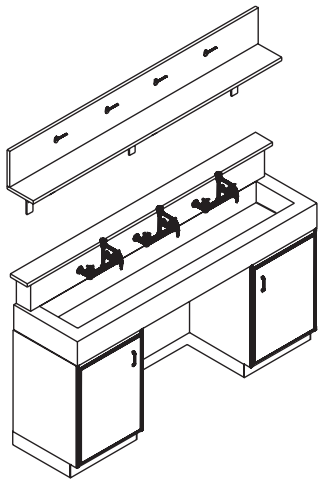
Equipment:

- (2) cold water gooseneck faucets
- (1) combination hot and cold water faucet with swing spout
- (1) stainless steel sink assembly
- (1) stainless steel sink outlet with basket strainer and tailpiece
- Integral top and sink assembly of seamless welded construction is 16 gauge, type 304 stainless steel
- Exposed surfaces are polished to #4 finish
- Sink assembly has 11 1/4" tall back splash and 4 1/4" deep ledge cap.

Note: Traps and service piping are not included.

Catalog Number: 7288

Dimensions of Components	Width	Height	Depth
Overall (w/o hi-back)	60"	36"	30"
(1) Base Cabinet (O.D.)	58 1/4"	35"	28 3/4"
(1) Cupboard (I.D.)	56 3/4"	21 3/4"	26 3/4"
Stainless Steel Sink (I.D.) (Sink Depth: 7 1/2")	54"	-	22"



Equipment:

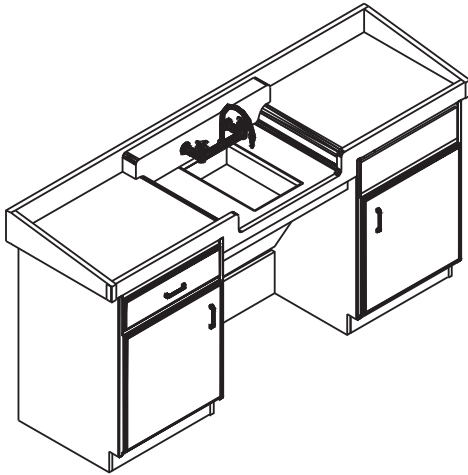
- 1" Rhearsin shelf with (4) polypropylene pegs and solid oak shelf brackets
- (3) combination hot and cold water mixing faucets
- (1) stainless steel sink assembly
- (1) stainless steel sink outlet with basket strainer and tailpiece
- Integral top and sink assembly of seamless welded construction is 16 gauge, type 304 stainless steel
- Exposed surfaces are polished to #4 finish
- Sink assembly has 11 1/4" tall back splash and 4 1/4" deep ledge cap.

Note: Traps and service piping are not included.

Catalog Number: 7289

Dimensions of Components	Width	Height	Depth
Overall (w/o hi-back)	76"	36 1/4"	30"
(2) Base Cabinet (O.D.)	18"	25"	28 3/4"
(1) Shelf	76"	12"	-
Stainless Steel Sink (I.D.) (Sink Depth: 7 1/2")	68 1/2"	-	22"

ADA Wash-Up Sink



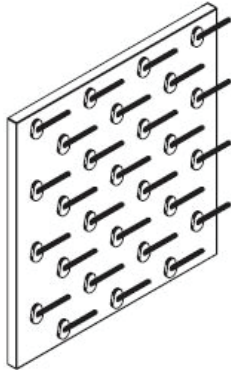
This assembly is designed to include provisions for wheelchair space at sink and services. Rinse counter provides a long sloped counter, integral sink, continuous raised edges and coved corners to retain spilled materials and liquids. Top assembly is epoxy or phenolic resin (to be specified). Sink assembly has bi-level work surfaces to accommodate recommended maximum 34" wheelchair height and 36" for stand up height. Stand up work surface slopes toward wheelchair work surface, which in turn slopes toward integral sink. Molded integral sink is sloped from front to back with overall depth not to exceed 6 1/2" deep. A molded integral ledge is located at rear of sink to accommodate services. Casework assembly consists of (1) 1278L cabinet, and (1) 2338 sink cabinet (without sink hangers). A removable one piece closure panel conceals sink service piping. Unit has one hot and cold water mixing faucet with wrist blade handles.

Catalog Number: 8815

Dimensions of Components	Width	Height	Depth
Overall	80"	41"	24"
Countertop	-	33" and 36"	-
(2) Base Cabinets (O.D.)	24"	35"	22 1/2"
Kneespace (O.D.)	30"	-	-
(2) Cupboard (I.D.)	22 1/2"	29 1/4"	20 3/4"
(1) Drawers (I.D.)	20 1/2"	6"	17"

Wood Science and Laboratory Furniture

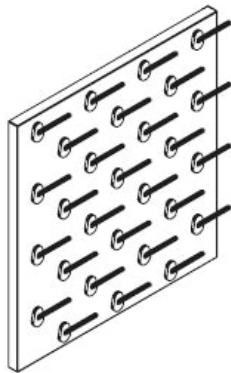
Stainless Steel Pegboards



- Made of #304 stainless steel with a #4 finish.
- The pegs are polypropylene.
- Optional drip trough is made out of stainless steel.

Cat. No.	Type	Dimensions	No. of Pegs
6667-A	Pegboard	24" W x 30" H	32
6667-B	Pegboard with Drip Trough	24" W x 30" H	32
6668-A	Pegboard	30" W x 30" H	50
6668-B	Pegboard with Drip Trough	30" W x 30" H	50

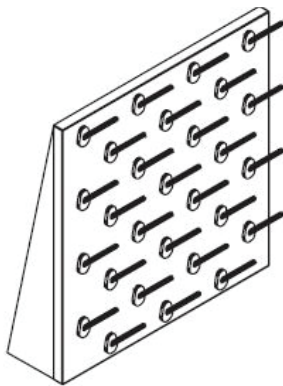
Phenolic Pegboards



- Made out of 1" thick phenolic resin.
- The pegs are polypropylene.

Cat. No.	Type	Dimensions	No. of Pegs
6660	Pegboard	22 1/2" W x 24" H	28
6676	Pegboard	30" W x 24" H	38
6678	Pegboard	32" W x 30" H	53
6666	Pegboard	48" W x 30" H	68
6670	Pegboard	16" W x 24" H	24
6674	Pegboard	20" W x 30" H	32

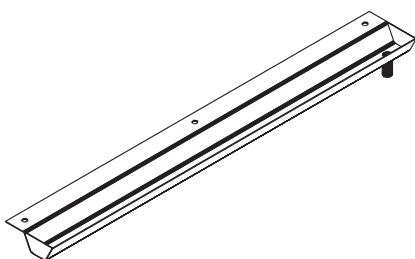
Sloping Phenolic Pegboards



- Made out of phenolic resin and 5" at slope base.
- The pegs are polypropylene.

Cat. No.	Type	Dimensions	No. of Pegs
6660-B	Sloping Pegboard	22 1/2" W x 24" H	28
6664-B	Sloping Pegboard	32" W x 30" H	53

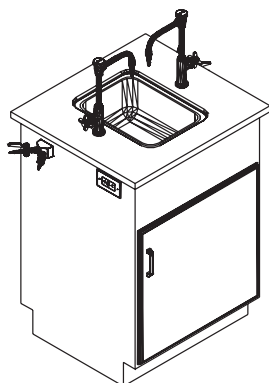
Stainless Steel Drip Trough



- Trough is fabricated from 22 gauge stainless steel with a 3/8" (O.D.) x 3/4" long copper drain stub.

Cat. No.	Dimensions
6679-A	1 1/2" W x 1" D x Specify Length

Service Islands



Equipment:

- (2) cold water gooseneck faucets
- (2) 90° wall mounted gas cocks
- (2) duplex AC receptacles
- (1) 14" x 10" x 6" (I.D.) epoxy resin sink
- (1) polypropylene sink outlet with disc strainer
- 1" thick work surface - material to be specified

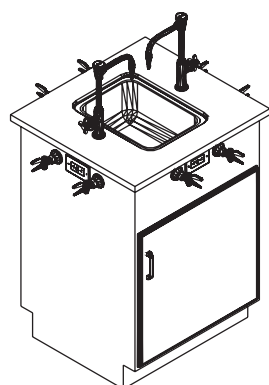
Note: Traps, service piping and electric conduit are not included.

Catalog Number: 6172

Dimensions of Components	Width	Height	Depth
Overall	26"	36"	24"
(1) Base Cabinet (O.D.)	24"	35"	22"

Catalog Number: 6174

Same as 6172 except 42" H



This compact unit has services on all four sides. A wood hinged door provides access to plumbing and storage space.

Equipment:

- (2) cold water gooseneck faucets
- (8) single gas cocks
- (4) duplex AC receptacles
- (1) 14" x 10" x 6" (I.D.) epoxy resin sink
- (1) polypropylene sink outlet with disc strainer
- 1" thick work surface - material to be specified

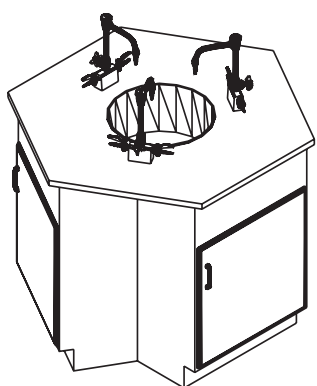
Note: Traps, service piping and electric conduit are not included.

Catalog Number: 6176

Dimensions of Components	Width	Height	Depth
Overall	26"	36"	26"
(1) Base Cabinet (O.D.)	24"	35"	24"

Catalog Number: 6178

Same as 6176 except 42" H



This versatile unit has services on three sides for use with (3) #6184 "Four Student Tables". This unit can also be grouped with conventional rectangular tables.

Equipment:

- (1) adjustable shelf in each cupboard
- (3) duplex AC receptacles
- (3) multi-service fixtures: consisting of (1) cold water gooseneck and (2) gas cocks
- (1) 16" diameter stainless steel sink with stainless steel strainer
- 1" thick work surface - material to be specified

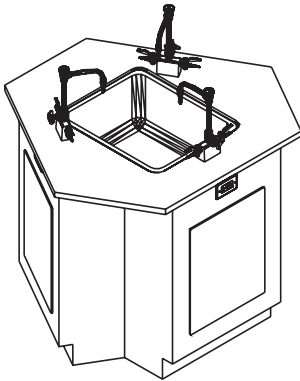
Note: Traps, service piping and electric conduit are not included.

Catalog Number: 6180

Dimensions of Components	Width	Height	Depth
Overall	48"	36"	41 1/2"
(3) Base Cabinet (O.D.)	24"	35"	12 1/4"

Wood Science and Laboratory Furniture

Service Islands



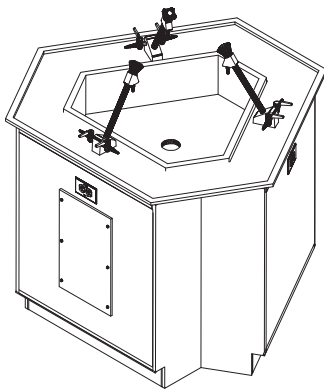
When grouped with (3) #6512 "Student Tables", this "Service Island" with services on three sides, provides the center for an ideal work arrangement.

Equipment:

- (3) multi-service fixtures: consisting of (1) cold water gooseneck and (2) gas cocks
- (3) duplex AC receptacles
- (1) epoxy resin sink
- (1) polypropylene sink outlet with disc strainer
- 1" thick work surface - material to be specified

Note: Traps, service piping and electric conduit are not included.

Catalog Number: 6182			
Dimensions of Components	Width	Height	Depth
Overall	48"	36"	41 9/16"
Sink (I.D.) (Sink Depth: 10")	21"	-	18"



Designed to be used with 30" H tables, 30" or 36" W.

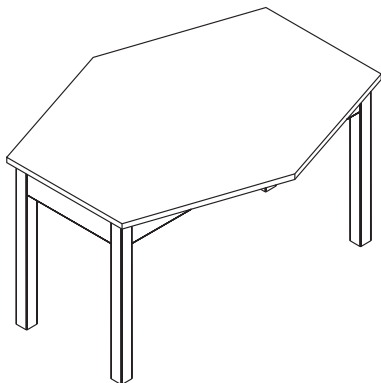
Equipment:

- (3) multi-service fixtures: containing (1) cold water gooseneck and (2) gas cocks
- (3) duplex AC receptacles
- (1) epoxy resin sink
- (1) polypropylene sink outlet with disc strainer
- 1" thick work surface - material to be specified

Note: Traps, service piping and electric conduit are not included.

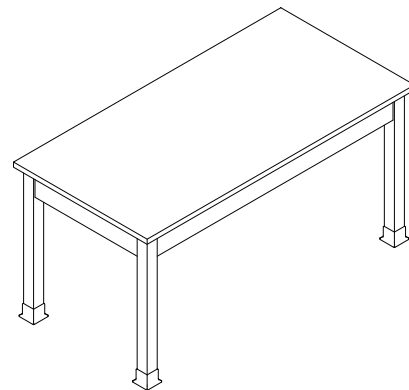
Catalog Number: 6188			
Dimensions of Components	Width	Height	Depth
Overall	54"	36 1/4"	46 3/4"
Sink (I.D.) (Sink Depth: 6")	31"	-	27"

Student Tables



Top is 1" thick, material to be specified.

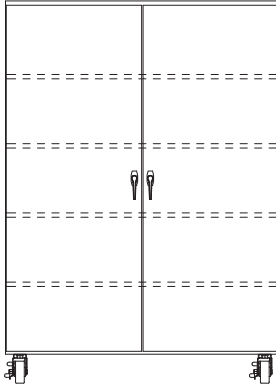
Catalog Number: 6184			
Dimensions of Components	Width	Height	Depth
Overall	54"	24"-42"	30"



Top is 1" thick, material to be specified.

Catalog Number: 6512			
Dimensions of Components	Width	Height	Depth
Overall	60"	30"	30"

Mobile Storage Units

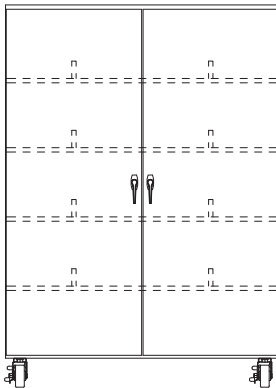


Equipment:

- (4) adjustable shelves
- (4) 5" casters: (2) rigid and (2) swivel with locks
- Doors are equipped with 3-point latching system

Catalog Number: 7322

Dimensions of Components	Width	Height	Depth
Overall	47 1/4"	66"	24"

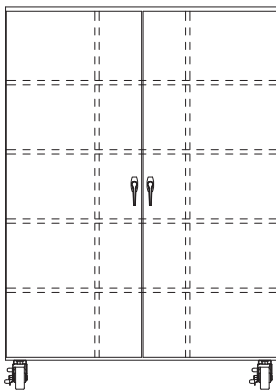


Equipment:

- (3) fixed shelves with dividers
- (4) 5" casters: (2) rigid and (2) swivel with locks
- Doors are equipped with 3-point latching system

Catalog Number: 7323

Dimensions of Components	Width	Height	Depth
Overall	47 1/4"	66"	24"

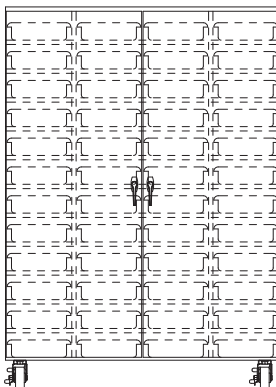


Equipment:

- (2) vertical dividers forming (3) compartments
- Each compartment has (5) adjustable shelves for a total of 18 cubicles
- (4) 5" casters: (2) rigid and (2) swivel with locks
- Doors are equipped with 3-point latching system

Catalog Number: 7324

Dimensions of Components	Width	Height	Depth
Overall	47 1/4"	66"	24"



Equipment:

- (3) tiers with 12 fixed shelves that hold (36) #6347 tote trays (included)
- (4) 5" casters: (2) fixed and (2) swivel with locks
- Doors have 3-point latching system

Catalog Number: 7326

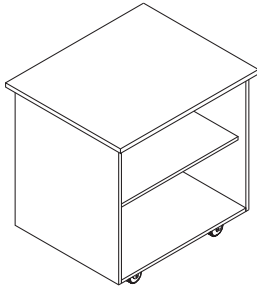
Dimensions of Components	Width	Height	Depth
Overall	47 1/4"	66"	24"

Catalog Number: 7327

Same as 7326 except with (4) tiers equipped with a total of (48) #6345 tote trays

Wood Science and Laboratory Furniture

Lab Cart



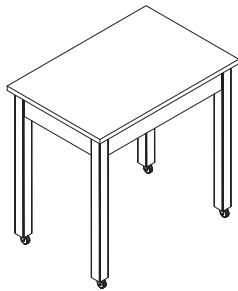
Serves as an extension for additional working area when placed adjacent to the “Instructor’s Desk”. Its many uses include a convenient way of transporting demonstration materials and apparatus from the storage room to the demonstration area, and a place for miscellaneous storage.

Equipment:

- (4) rubber-tired casters: (2) rigid and (2) swivel with locks
- (1) adjustable shelf
- 1” thick work surface - material to be specified

Catalog Number: 6030			
Dimensions of Components	Width	Height	Depth
Overall	36”	36”	24”

Mobile Lab Table

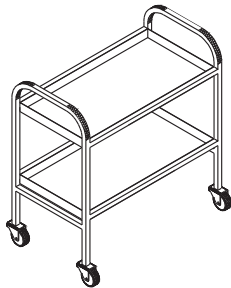


Equipment:

- (4) rubber-tired casters: (2) rigid and (2) swivel with locks
- (1) fixed shelf
- 1” thick work surface - material to be specified

Catalog Number: 6032			
Dimensions of Components	Width	Height	Depth
Overall	36”	36”	24”

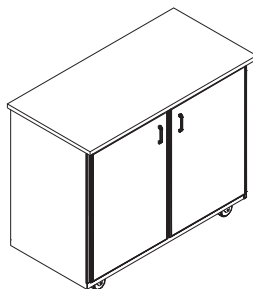
Pan Cart



- A versatile, rugged cart for many lab uses, the “Pan Cart” is equipped with (2) rigid, watertight pans made of epoxy coated 18 gauge steel.
- The pans have 2” sides with smooth folded edges, and are lined with removable rubber mats.
- The cart is constructed of 1” square, 18-gauge steel tubing and all joints are welded. The cart has a char blue, corrosion-resistant, epoxy finish.

Catalog Number: 6034			
Dimensions of Components	Width	Height	Depth
Overall	34 7/8”	36 3/8”	19”

Mobile Cupboard

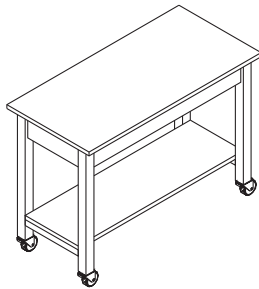


- 1” thick work surface, material to be specified.
- Equipped with casters and adjustable shelf.

Catalog Number: 6482			
Dimensions of Components	Width	Height	Depth
Overall	54”	30”	21”
Base Cabinet (O.D.)	47 1/4”	29”	19”

Wood Science and Laboratory Furniture

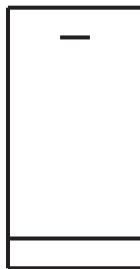
Mobile Open Frame Table



- 1" thick work surface, material to be specified.
- Equipped with casters and hardwood shelf.

Catalog Number: 6484			
Dimensions of Components	Width	Height	Depth
Overall	54"	30"	21"

Special Storage Base Cabinets

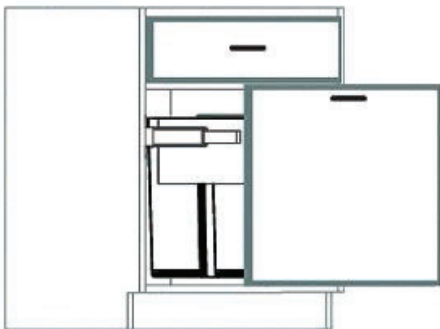


- Provided with tilt out removable galvanized steel bin.

Catalog Number: 3896			
Dimensions of Components	Width	Height	Depth
Overall	18"	35"	22 1/2"

Catalog Number: 3898
Same as 3896 except 35 1/4" wide and equipped with two tilt out removable galvanized steel bins

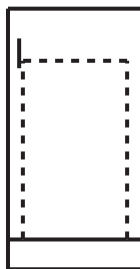
Recycle Center



- Designed to sit under counter, recycle center is equipped with one drawer and conceals two plastic bins for recycling or trash.
- False door is mounted to slide out, activated by push foot pedal.
- Pull out tray is equipped with metal frame to secure two plastic trash cans, included.
- Door covers opening for pullout and a side area with two vertical cubby storage compartments.

Catalog Number: 4050			
Dimensions of Components	Width	Height	Depth
Overall	27"	35"	24 1/2"
Door	27"	21 3/8"	-

Trash Storage

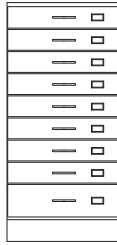


- Equipped with separate bottom from unit.
- Casters permit smooth removal of trash container.
- Round aluminum vents in tow rail are standard.

Catalog Number: 4046			
Dimensions of Components	Width	Height	Depth
Overall	24"	35"	22 1/2"

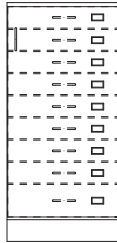
Wood Science and Laboratory Furniture

Rock & Map Storage Cases



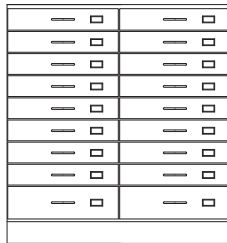
- (8) drawers: 17 1/2" W x 2 7/8" H x 20 3/4" D
- (1) drawers: 17 1/2" W x 6 1/4" H x 20 3/4" D
- Label holders on all drawers

Catalog Number: 3928			
Dimensions of Components	Width	Height	Depth
Overall	21"	44"	23 1/2"



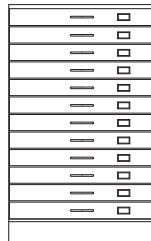
- (8) drawers: 16 3/4" W x 2 7/8" H x 19 1/2" D
- (1) drawers: 16 3/4" W x 6 1/4" H x 19 1/2" D
- (1) solid wood door
- Label holders on all drawers

Catalog Number: 3929			
Dimensions of Components	Width	Height	Depth
Overall	21"	44"	23 1/2"



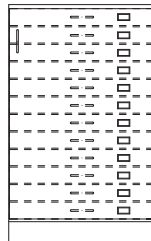
- (16) drawers: 17 1/2" W x 2 7/8" H x 20 3/4" D
- (2) drawers: 17 1/2" W x 6 1/4" H x 20 3/4" D
- Label holders on all drawers

Catalog Number: 3930			
Dimensions of Components	Width	Height	Depth
Overall	41 1/4"	44"	23 1/2"



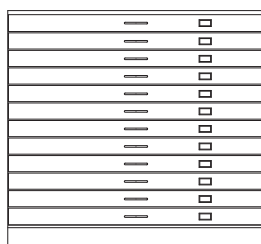
- (12) drawers: 23 1/2" W x 2 1/4" H x 27 3/4" D
- Label holders on all drawers

Catalog Number: 3931			
Dimensions of Components	Width	Height	Depth
Overall	27"	44"	30 1/2"



- (12) drawers: 22 3/4" W x 2 1/4" H x 26 1/2" D
- (1) solid wood door
- Label holders on all drawers

Catalog Number: 3932			
Dimensions of Components	Width	Height	Depth
Overall	27"	44"	30 1/2"



- (12) drawers: 43 3/4" W x 2 1/4" H x 27 3/4" D
- Label holders on all drawers

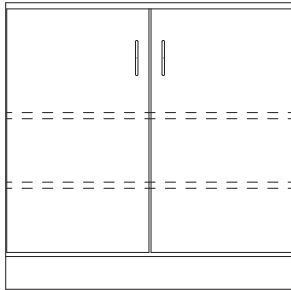
Catalog Number: 3933			
Dimensions of Components	Width	Height	Depth
Overall	47 1/4"	44"	30 1/2"

Wood Science and Laboratory Furniture

Special Storage Base Cabinets

Units equipped with pullout shelves behind cabinet doors should not be located in a corner or next to any cabinet, case or other obstruction, which would keep the door from having an opening swing of approximately 110°. This allowance is required to allow pullout trays or shelves to clear back edge of door. If the unit must be located in a corner, a filler strip of at least 6", must be provided between the case and the wall.

Damp Storage Unit

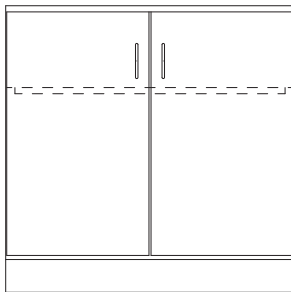


- (2) adjustable black metal shelves
- (1) removable galvanized drip pan in bottom
- Interior is completely lined with galvanized metal

Catalog Number: 3950			
Dimensions of Components	Width	Height	Depth
Overall	35 1/4"	35"	22 1/2"

Catalog Number: 3952			
Same as 3950 except 47 1/4" W.			

Illustrative Material Unit

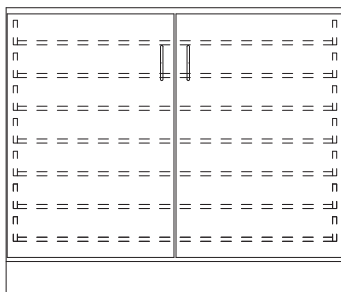


- Equipped with pullout rack with (9) rails

Catalog Number: 3958			
Dimensions of Components	Width	Height	Depth
Overall	35 1/4"	35"	22 1/2"

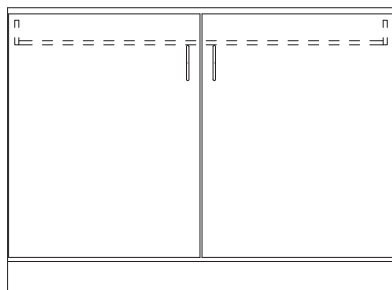
Catalog Number: 3960			
Same as 3958 except 47 1/4" W.			

Chart & Paper Storage



Cat. No.	Dimensions	Paper Storage Size	No. of Shelves
3962	41 1/4" W x 22 1/2" D x 35" H	36" L x 18" W	7
3964	41 1/4" W x 28 1/2" D x 35" H	36" L x 24" W	7
3966	41 1/4" W x 34 1/2" D x 35" H	36" L x 30" W	7
3891	35 1/4" W x 28 1/2" D x 35" H	30" L x 24" W	7
3892	47 1/4" W x 28 1/2" D x 35" H	42" L x 24" W	7
3893	47 1/4" W x 28 1/2" D x 28" H		5
3894	47 1/4" W x 34 1/2" D x 35" H	42" L x 30" W	7

Paper Storage & Cupboard



- Equipped with (1) pullout tray

Catalog Number: 3895			
Dimensions of Components	Width	Height	Depth
Overall	47 1/4"	35"	22 1/2"

Wood Science and Laboratory Furniture

Tote tray storage units over 47 1/4" wide, will be divided into two or more separate cases. Shelves are 1" thick and adjustable, except for a fixed center shelf. Standard units contain no vertical dividers between trays, unless structurally required. If specified, tray compartment dividers provided will be chrome plated 3/16" diameter bent wire.

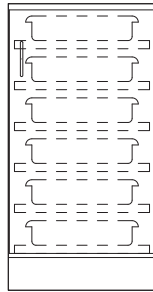
Plastic Tote Tray



Made of sturdy high impact plastic with high gloss finish - unbreakable in normal use. Smooth surface resists soiling and is easily cleaned. Resistance of inorganic chemicals. Light weight and easy to handle. Handy aluminum card holder is standard on trays.

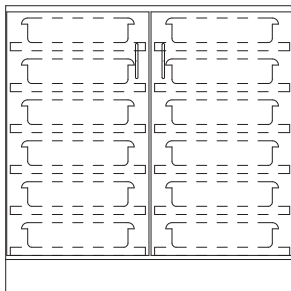
Cat. No.	Dimensions
6339	16" W x 12" D x 4" H
6340	16 3/8" W x 11" D x 2 1/2" H
6342	16 5/8" W x 13 1/8" D x 3 1/2" H
6344	19" W x 10 1/2" D x 3 1/2" H
6346	19" W x 13 3/4" x 3 1/2" H

Tote Tray Base Cabinets



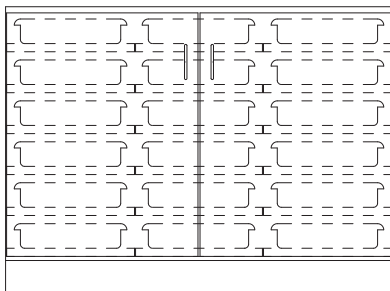
- (6) #6346 tote trays provided

Catalog Number: 3881			
Dimensions of Components	Width	Height	Depth
Overall	18"	35"	22 1/2"



- (2) tiers of (12) #6346 tote trays

Catalog Number: 3883			
Dimensions of Components	Width	Height	Depth
Overall	35 1/4"	35"	22 1/2"



- (3) tiers of (18) #6346 tote trays

Catalog Number: 3884			
Dimensions of Components	Width	Height	Depth
Overall	47 1/4"	35"	22 1/2"

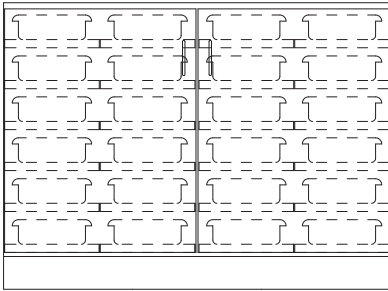
Catalog Number: 3884-A

Same as 3884 except 41 1/4" W with (18) #6339 tote trays

Catalog Number: 3884-B

Same as #3884 except 35 1/4" W with (18) #6344 tote trays

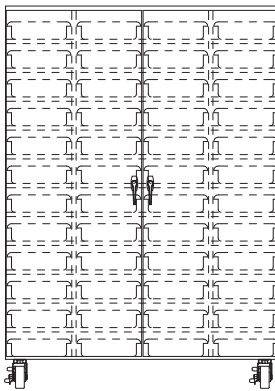
Tote Tray Base Cabinets



- (4) tiers of (24) #6344 tote trays

Catalog Number: 3886			
Group A	Group B	Height	Depth
47 1/4"	48"	35"	22 1/2"

Mobile Tote Tray Cabinet



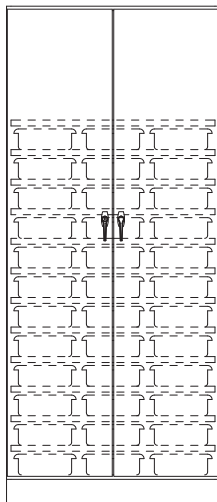
- (3) tiers with (12) fixed shelves and includes (36) #6346 tote trays
- Doors have 3 point latching system
- (4) 5" casters: (2) fixed and (2) swivel with locks

Catalog Number: 7326			
Dimensions of Components	Width	Height	Depth
Overall	47 1/4"	66"	24"

Catalog Number: 7327
Same as 7326 except with (4) tiers and a total of (48) #6344 tote trays.

Tall Tote Tray Cabinet

Tote tray storage units over 47 1/4" wide, will be divided into two or more separate cases. Shelves are 1" thick and adjustable, except for a fixed center shelf. Standard units contain no vertical dividers between trays, unless structurally required. If specified, tray compartment dividers provided will be chrome plated 3/16" diameter bent wire.



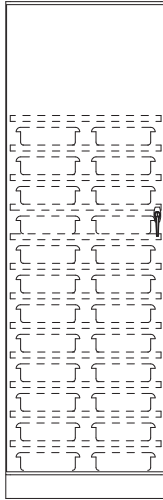
- This "Tote Tray Cabinet" includes (1) upper compartment, (11) adjustable shelves, (1) fixed shelf and plastic tote trays.
- The door has a 3-point latching handle.
- Cabinet is 22 1/2" deep and 84" tall

Cabinet Cat. No.	Group A	Group B	Tote Cat. No.	# of Totes
5895	35 1/4"	36"	6344	36
5899	41 1/4"	42"	6346	36
5896	47 1/4"	48"	6344	48

Wood Science and Laboratory Furniture

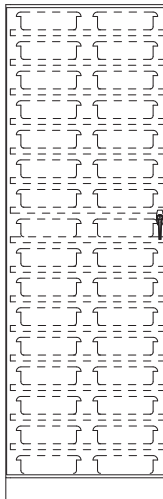
Tall Tote Tray Cabinet

Tote tray storage units over 47 1/4" wide, will be divided into two or more separate cases. Shelves are 1" thick and adjustable, except for a fixed center shelf. Standard units contain no vertical dividers between trays, unless structurally required. If specified, tray compartment dividers provided will be chrome plated 3/16" diameter bent wire.



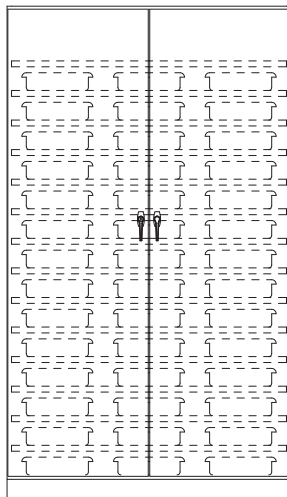
- This "Tote Tray Cabinet" includes (11) adjustable shelves, (1) fixed shelf, (1) storage compartment and plastic tote trays.
- The door has a 3-point latching handle.

Cabinet Cat. No.	Cabinet Dimensions	Tote Cat. No.	# of Totes
6348	27" W x 84" H x 22 1/2" D	6340	24



- This "Tote Tray Cabinet" includes (14) adjustable shelves, (1) fixed shelf and plastic tote trays.
- The door has a 3-point latching handle.

Cabinet Cat. No.	Cabinet Dimensions	Tote Cat. No.	# of Totes
6350	27" W x 84" H x 22 1/2" D	6340	32



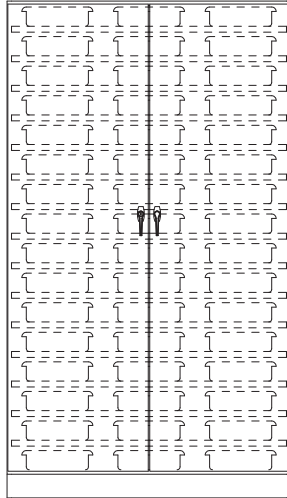
- This "Tote Tray Cabinet" includes (13) adjustable shelves, (1) fixed shelf and plastic tote trays.
- The door has a 3-point latching handle.

Cabinet Cat. No.	Group A	Group B	Tote Cat. No.	# of Totes
6351	47 1/4"	48"	6339	42

Wood Science and Laboratory Furniture

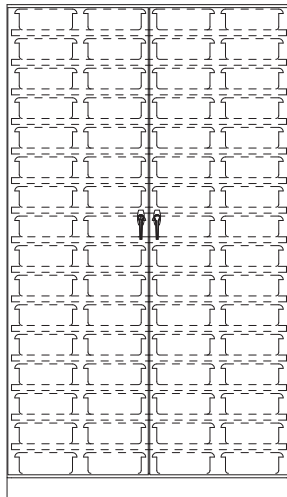
Tall Tote Tray Cabinet

Tote tray storage units over 47 1/4" wide, will be divided into two or more separate cases. Shelves are 1" thick and adjustable, except for a fixed center shelf. Standard units contain no vertical dividers between trays, unless structurally required. If specified, tray compartment dividers provided will be chrome plated 3/16" diameter bent wire.



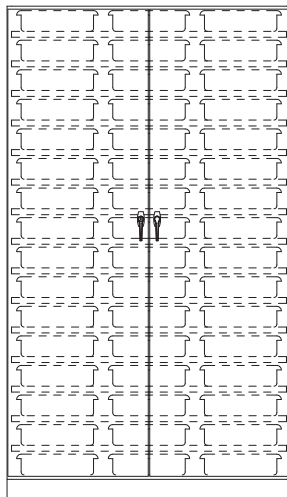
- This "Tote Tray Cabinet" includes (14) adjustable shelves, (1) fixed shelf and plastic tote trays.
- The door has a 3-point latching handle.

Cabinet Cat. No.	Group A	Group B	Tote Cat. No.	# of Totes
6353	41 1/4"	42"	6342	48
6352	47 1/4"	48"	6342	48



- This "Tote Tray Cabinet" includes (14) adjustable shelves, (1) fixed shelf and plastic tote trays.
- The door has a 3-point latching handle.

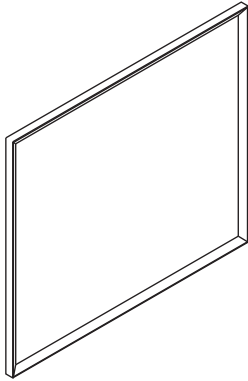
Cabinet Cat. No.	Group A	Group B	Tote Cat. No.	# of Totes
6356	47 1/4"	48"	6344	64



- This "Tote Tray Cabinet" includes (14) adjustable shelves, (1) fixed shelf and plastic tote trays.
- The door has a 3-point latching handle.

Cabinet Cat. No.	Group A	Group B	Tote Cat. No.	# of Totes
6358	35 1/4"	36"	6344	48
6357	47 1/4"	48"	6346	48

Tack Board



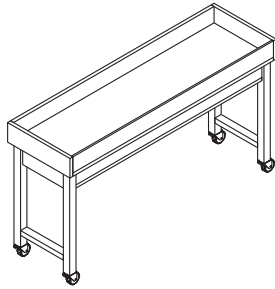
- Tack board surface is natural cork unless specified otherwise

Catalog Number: 6654			
Dimensions of Components	Width	Height	Depth
Overall	12"-60" (Specify)	12"-60" (Specify)	1 1/16"



Wood Science and Laboratory Furniture

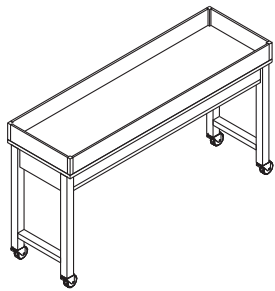
Germinating Bed



- (1) drip cock
- (1) plate glass side
- Oak plywood bed and sides are lined with galvanized iron
- Solid open frame table under structure is equipped with (4) swivel casters

Catalog Number: 6400

Dimensions of Components	Width	Height	Depth
Overall	72"	36"	22"



- (1) drip cock
- (4) plate glass sides
- Bottom is rugged 1/2" PVC secured to heavy welded angle iron frame
- Solid open frame table under structure is equipped with (4) swivel casters.

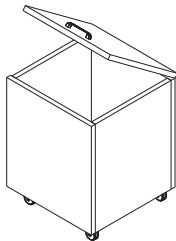
Catalog Number: 6402

Dimensions of Components	Width	Height	Depth
Overall	72"	36"	22"

Catalog Number: 6403

Same as 6402 except 48" W

Soil Bin

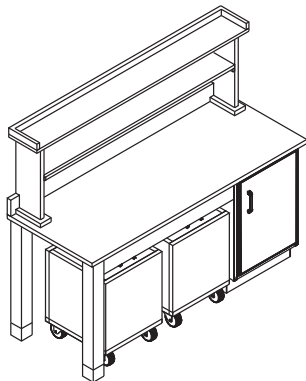


- Bin interior is lined with galvanized iron
- Exterior is clad in wood, stained to match casework and equipped with (4) swivel casters

Catalog Number: 6406

Dimensions of Components	Width	Height	Depth
Overall	16"	23"	16"

Potting Table



- (2) #6406 "Soil Bins"
- (1) adjustable shelf
- (1) black phenolic resin shelf assembly with 1" uprights
- 1" top and 4" high curb

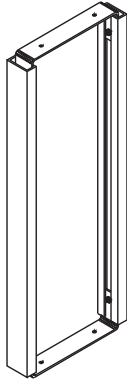
Catalog Number: 6410

Dimensions of Components	Width	Height	Depth
Overall (w/o shelf)	60"	30"	24"
(1) Base Cabinet (O.D.)	18"	29"	22 1/2"
Cupboard (I.D.)	16 1/2"	23 1/4"	20 3/4"
Shelf Assembly	60"	21"	8"

Catalog Number: 6412

Same as 6410 except soil bins are not included.

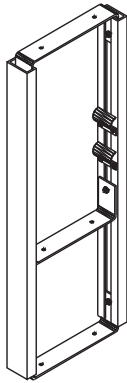
Uni-Strut Assemblies



- Floor mounted support provides stability to rear overhead of work surface or hood tops.
- Adjustable; 7 7/8" wide to fit 8" wide plumbing space.
- Specify height.

Catalog Number: 8990

Drainpipe Support



Catalog Number: 8992

Accessories

Pipe Clamp Catalog Number: 8994

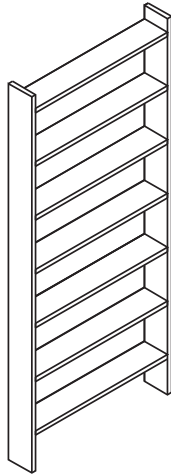
for 3/8" & 1/2" diameter pipes

Pipe Clamp Catalog Number: 8996

for 3/4" & 1" diameter pipes

Wood Science and Laboratory Furniture

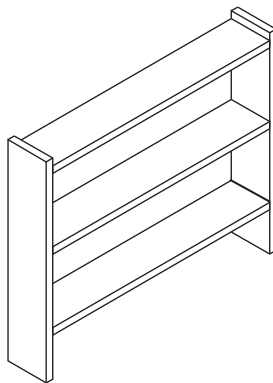
Reagent Shelving



- (7) fixed shelves of 1" hardwood plywood
- End panels are 3/4" hardwood plywood
- Unit does not have a back and must be securely anchored to wall
- Each unit is finished with chemical resistant finish to match casework

Catalog Number: 6860			
Dimensions of Components	Width	Height	Depth
Overall	36"	84"	6"

Catalog Number: 6862			
Same as 6860 except 8" deep			

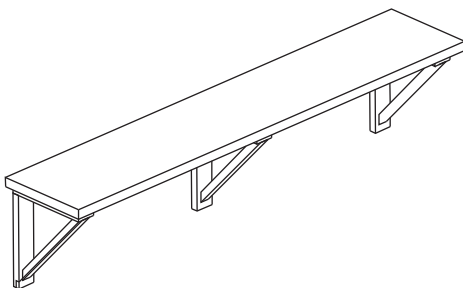


- (3) fixed shelves of 1" hardwood plywood
- End panels are 3/4" hardwood plywood
- Unit does not have back and must be securely anchored to wall
- Each unit is finished with chemical resistant finish to match casework

Catalog Number: 6864			
Dimensions of Components	Width	Height	Depth
Overall	36"	30"	6"

Catalog Number: 6866			
Same as 6864 except 8" deep			

Wood Wall Shelf



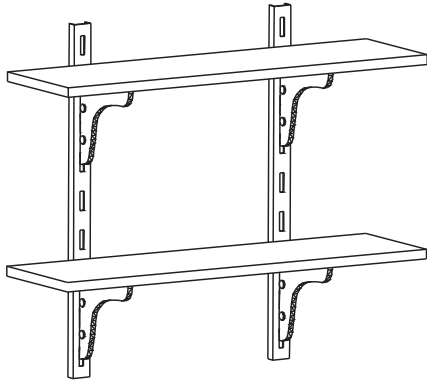
- Shelf is 3/4" thick, black phenolic
- Shelf brackets are solid oak with chemical resistant finish to match casework
- Available in any length from 3' to 8'
- When ordering specify length and number of units desired
- Maximum spacing between brackets is 48"

Catalog No.	Depth	Length
6854	8"	3'-8' (Specify)
6856	12"	3'-8' (Specify)
6858	18"	3'-8' (Specify)

Wood Science and Laboratory Furniture

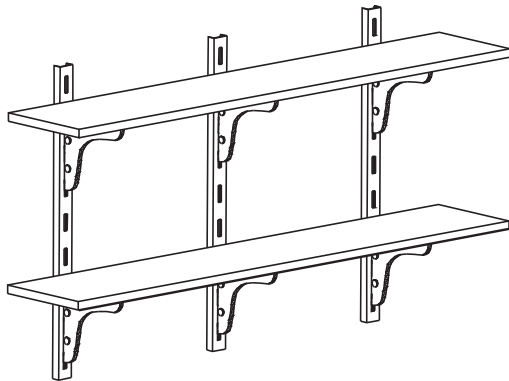
Vertical uprights are 12 gauge steel, 7/8" W x 11/16" H. Shelf brackets are extra heavy duty and adjustable on 2" increments. Uprights and brackets have a satin anochrome finish. Shelves are 3/4" thick, black phenolic. Other shelving materials are available. **Note:** when ordering, be sure to specify height of uprights and quantity of shelves desired.

Single Wide Wall Mounted Shelves



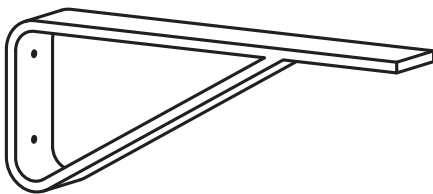
Cat. No.	Shelf Width	Shelf Depth	Upright Height	Quantity of Shelves
6870	24"	8"	3, 4, 5, 6, or 7 ft.	Specify
6872	24"	10"	3, 4, 5, 6, or 7 ft.	Specify
6874	24"	12"	3, 4, 5, 6, or 7 ft.	Specify
6876	36"	8"	3, 4, 5, 6, or 7 ft.	Specify
6878	36"	10"	3, 4, 5, 6, or 7 ft.	Specify
6880	36"	12"	3, 4, 5, 6, or 7 ft.	Specify
6882	48"	8"	3, 4, 5, 6, or 7 ft.	Specify
6884	48"	10"	3, 4, 5, 6, or 7 ft.	Specify
6886	48"	12"	3, 4, 5, 6, or 7 ft.	Specify

Double Wide Wall Mounted Shelves



Cat. No.	Shelf Width	Shelf Depth	Upright Height	Quantity of Shelves
6890	60"	8"	3, 4, 5, 6, or 7 ft.	Specify
6892	60"	10"	3, 4, 5, 6, or 7 ft.	Specify
6894	60"	12"	3, 4, 5, 6, or 7 ft.	Specify
6896	72"	8"	3, 4, 5, 6, or 7 ft.	Specify
6898	72"	10"	3, 4, 5, 6, or 7 ft.	Specify
6900	72"	12"	3, 4, 5, 6, or 7 ft.	Specify
6902	96"	8"	3, 4, 5, 6, or 7 ft.	Specify
6904	96"	10"	3, 4, 5, 6, or 7 ft.	Specify
6906	96"	12"	3, 4, 5, 6, or 7 ft.	Specify

Shelf Bracket



- Made from high strength cold rolled steel, designed for 12" wide shelves.
- Includes mounting hardware for use with vertical wall mount shelf support 6850.
- Specify quantity required.

Catalog Number: 6848

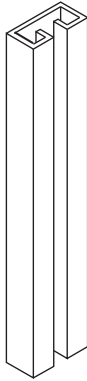
Designed for 12" wide shelves

Catalog Number: 6849

Same as 6848 except made for 16" wide shelves

Wood Science and Laboratory Furniture

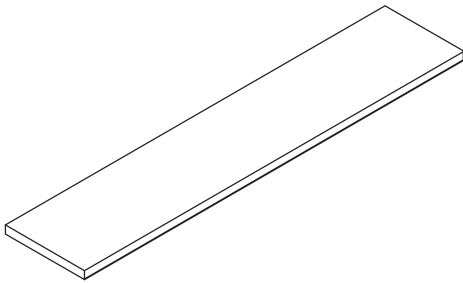
Vertical, Wall Mount Shelf Support



- 48" long, order two per shelf.
- Two supports designed to hold a maximum of three shelves and their support brackets.

Catalog Number: 6850

Wall Shelf



Catalog Number: 6852

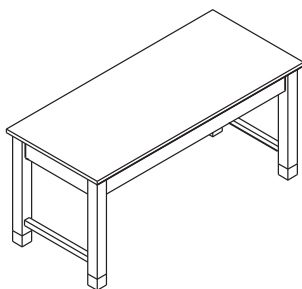
Black phenolic, 48" L x 12" W x 1" thick

Catalog Number: 6853

Black phenolic, 48" L x 16" W x 1" thick

Wood Science and Laboratory Furniture

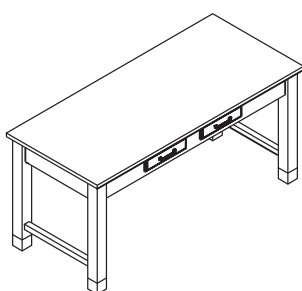
Balance Tables with Plain Rail



- 1 1/4" rheaesin or phenolic top, specify.
- Top rests on rubber vibration pads on top of each leg.

Catalog Number	Width	Height	Depth
6582	48"	30"	24"
6586	48"	36"	24"
6588	60"	36"	24"

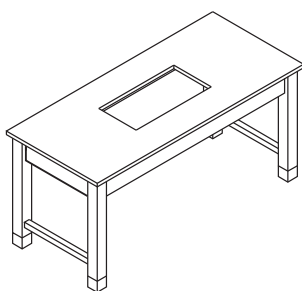
Balance Tables with Drawers



- 1 1/4" rheaesin or phenolic top, specify.
- Top rests on rubber vibration pads on top of each leg.

Catalog Number	Width	Height	Depth	No. of Drawers
6590	48"	30"	24"	1
6592	60"	30"	24"	2
6594	48"	36"	24"	1
6596	60"	36"	24"	2

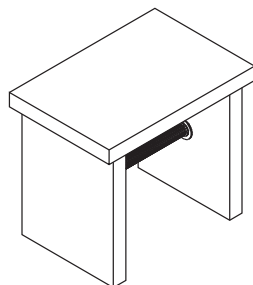
Balance Tables with Cutout



- 1 1/4" rheaesin or phenolic top, specify. 24" x 12" cutout in center of top for insert.
- Insert rests on four vibration pads mounted in the frame to reduce floor vibrations.

Catalog Number	Width	Height	Depth
6598	48"	30"	24"
6600	48"	36"	24"

Balance Table

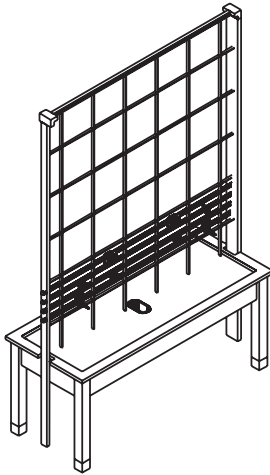


- Table is made of 3" thick rhearock.
- The weight of this table greatly reduces floor vibrations that would be transferred to the top of an ordinary table.
- Reinforced with steel rod with flanges.

Catalog Number	Width	Height	Depth
6602	36"	30"	24"

Wood Science and Laboratory Furniture

Distillation Bench



Equipment:

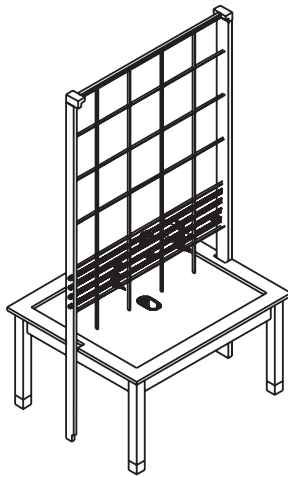
- (2) cold water cocks
- (2) gas cocks
- (2) air or vacuum cocks
- (2) duplex AC receptacles in conduit boxes
- (1) 3" x 6" epoxy resin cup sink
- (6) vertical rods
- (5) horizontal rods
- Framework is heavy gauge steel channel with a baked green primer finish
- Rods are 1/2" aluminum with necessary clamps included
- Work surface is 1" thick rhearsin with raised edges

Note: Traps, service piping and electric conduit are not included.

Catalog Number: 6804

Dimensions of Components	Width	Height	Depth
Overall	6'	9'	24"
Table	6'	24"	24"

Double Faced Distillation Bench



Equipment:

- (4) cold water cocks
- (2) gas cocks
- (2) air or vacuum cocks
- (1) duplex AC receptacle in a conduit box
- (1) 3" x 6" epoxy resin cup sink
- (4) vertical rods
- (5) horizontal rods
- Framework is heavy gauge steel channel with a baked green primer finish
- Rods are 1/2" aluminum with necessary clamps included
- Work surface is 1" thick rhearsin with raised edges

Note: Traps, service piping and electric conduit are not included.

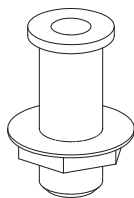
Catalog Number: 6806

Dimensions of Components	Width	Height	Depth
Overall	4'	9'	42"
Table	4'	24"	42"

Wood Science and Laboratory Furniture

Science Apparatus Fixtures

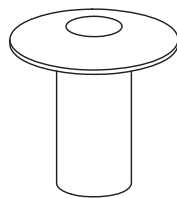
Flush Plate Rod Socket



For any 3/4" diameter upright rod with tapered end. Plate is countersunk into top.

Catalog Number: 9902

Mushroom Plate Rod Socket



For any 3/4" diameter upright rod with tapered end. Requires 1 1/8" diameter hold drilled in top.

Catalog Number: 9903

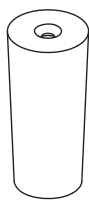
Aluminum Crossbar Clamp



Clamp for 3/4" diameter rods.

Catalog Number: 9904

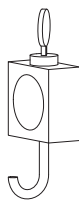
Aluminum Tapered Adapter



For 1/2" burette rods. Fits 9902 rod socket. Tapped 1/2" - 13 NC.

Catalog Number: 9906

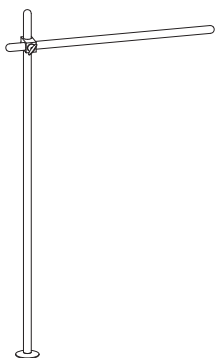
Hook Collar



For use with 3/4" diameter aluminum crossbars.

Catalog Number: 9908

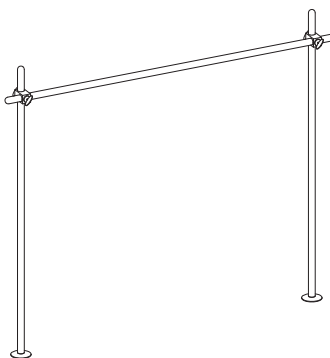
Aluminum Greenlaw Arm Assembly



- (1) 9912 tapered aluminum upright rod: 36" L x 3/4" diameter
- (1) 9914 aluminum Greenlaw arm: 20" L x 3/4" diameter
- (1) 9904 aluminum clamp

Catalog Number: 9910

Aluminum Crossbar Assembly



- (2) 9912 tapered aluminum upright rods: 36" L x 3/4" diameter
- (1) 9926 aluminum crossbar: 39" L x 3/4" diameter
- (2) 9904 aluminum clamp

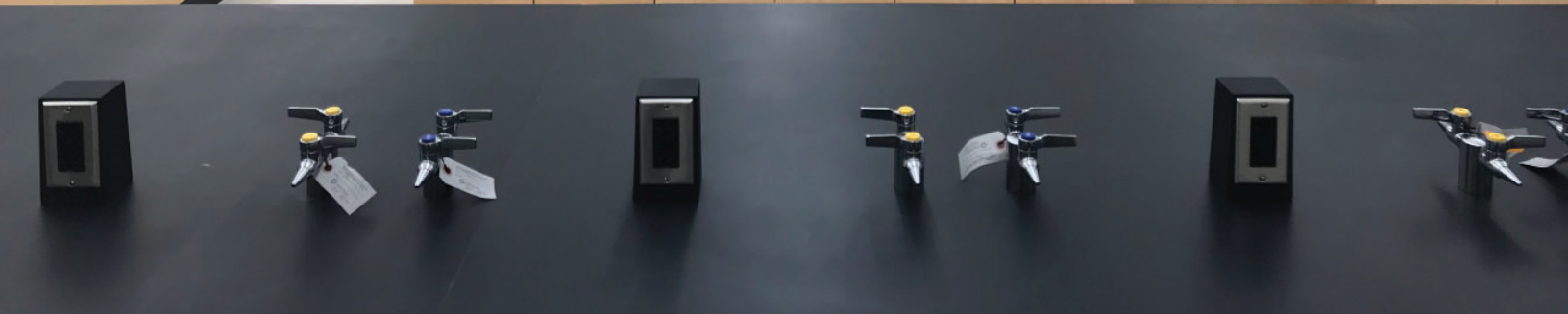
Catalog Number: 9924

Aluminum Burette Rod



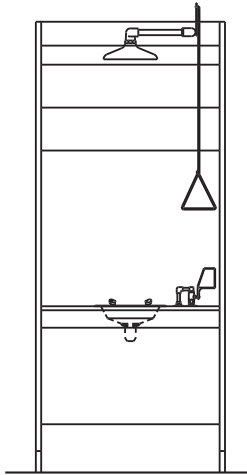
Catalog Number: 9916
18" L x 1/2" diameter with 9906 adapter

Catalog Number: 9918
24" L x 1/2" diameter with 9906 adapter



Safety, Acid & Flammable Storage

Barrier-Free Safety Center



Lower section is designed to provide access for a wheelchair to the eyewash fountain, and specially designed offset shower head with extended pull rod. Closure panels conceal service piping. Upper section has (2) fixed shelves which provides storage space for sand bucket, blankets, fire extinguisher, first-aid kit and other emergency supplies (not included)

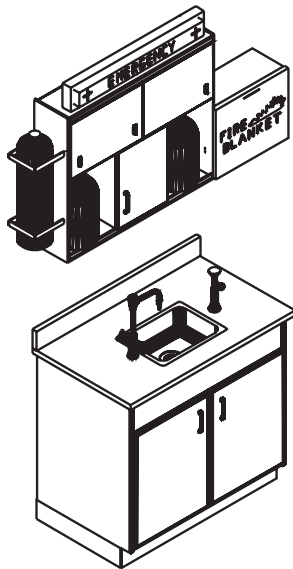
Equipment:

- (1) stainless steel surface mounted eyewash fountain
- (1) emergency shower head with pull chain
- Deck top is 3/4" black phenolic resin

Catalog Number: 6774A

Group A	Group B	Height	Depth
35 1/4"	36"	84"	22 1/2"

Safety Center



Base Unit Equipment:

- (1) combination hot and cold water gooseneck faucet
- (1) hand held eyewash
- (1) sand pail in cupboard
- (1) epoxy resin sink
- (1) polypropylene sink outlet with disc strainer

Wall Unit Equipment:

- (1) fire extinguisher with mounting bracket
- (1) 'drop' fire blanket
- (1) first aid kit
- (2) one gallon plastic bottles
- (3) adjustable shelves behind hinged door
- Illuminated emergency identification sign
- Work surface is 1" thick - to be specified

Catalog Number: 6776

Dimensions of Components	Width	Height	Depth
Overall, Wall Unit	35 1/4"	30"	12"
Overall, Base Unit	37 1/4"	36"	24"
Sink Cabinet (O.D.)	35 1/4"	35"	22 1/2"
Cupboard (I.D.)	33 3/4"	21 3/4"	20 3/4"
Resin Sink (Sink Depth: 11")	18"	-	15"

Safety, Acid & Flammable Storage

Barrier-Free Emergency Shower & Eyewash



10" diameter orange ABS plastic shower head extends 32" from support pipe, allowing wheel chair maneuverability. A full flow, stay-open valve is operated by the pull rod and handle. Shower operates until handle is pushed up to close valve. Pull rod has been lengthened to 38" for accessibility. The eye and face wash unit has a 12" stainless steel bowl and four gentle spray outlet heads, each with a self-regulating volume control, removable spray cover, and a reticulated polyurethane filter to remove particles from the water. The frame assembly is extended 25" from the support pipe and lowered to 31" high to be accessible from a wheel chair. The full flow stay-open ball valve is operated by a die cast aluminum flat/paddle handle, 26 1/2" from the floor. Eye/face wash operates until the valve is manually closed. Unit is furnished with a 9" diameter aluminum floor flange and intermediate galvanized pipe and fittings. Both inlet and outlet are 1 1/4" IPS female.

Catalog Number: 9617

Dimensions of Components	Height
Overall	84"

Combination Emergency Shower & Eyewash



Shower Head: 10" diameter cyclac plastic
Valve: Chrome plated brass 1" I.P.S. stay open ball valve operated by stainless steel pull rod. Pull open - push closed
Eyewash: 10" diameter cyclac bowl. Chrome plated brass yoke assembly with twin aerated eyewash heads. Chrome plate 1/2" I.P.S. stay open ball valve, hand-operated by stainless steel push flag handle. The 3 gpm flow control assures safe steady flow under varying water supply conditions.
Standard: 1 1/4" galvanized steel pipe with 9" diameter floor flange. Provisions for vertical or horizontal supply.
Supply Inlet & Waste Outlet: 1 1/4" I.P.S.

Catalog Number: 9616

Dimensions of Components	Height
Overall	84"

Emergency Shower Head Assembly



Shower Head: 10" diameter cyclac plastic
Valve: Chrome plated brass 1" ABS stay open ball valve operated by stainless steel pull rod. Pull open - push closed
Fittings: Elbow and piping are galvanized steel

Catalog Number: 9610

Safety, Acid & Flammable Storage

Emergency Eyewash



Deck mount with twin soft stream heads & push to operate ball valve. 1/2" I.P.S. supply.

Catalog Number: 9612



Deck mount with twin soft stream heads, stainless steel bowl & push to operate ball valve. 1/2" I.P.S. supply. 1 1/4" drain outlet supplied with a plastic adapter with 1 1/2" N.P.S. male threads.

Catalog Number: 9614

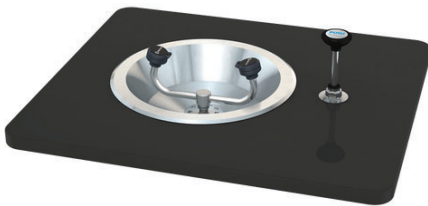
Catalog Number: 9614-A

Same as 9614 except wall or side mounted.



Hand held; squeeze handle; flange for counter mounting; rubber bound soft stream head; 6' hose, 3/8" I.P.S. male inlet. Designed for a maximum water pressure of 90 P.S.I.

Catalog Number: 9618



Recessed, counter mount with twin soft stream outlets, stainless steel bowl and push to operate supply valve with 1/2" N.P.T. male threads. Intermediate piping not included. 1 1/4" drain outlet supplied with a plastic adapter with 1 1/2" N.P.S. male threads.

Catalog Number: 9620

ADA Accessible Recessed Eye Wash with Drain Pan



Handicapped accessible wall mounted eye/face wash with stainless steel cover and drain pan. Opening cover pulls outlet head assembly down from vertical to horizontal position and activates water flow. Horizontal grab bar is easily grasped and pulled in an emergency. While unit is in operation, waste water is collected by drain pan and returned into unit for drainage. Unit remains in operation until cover is returned to a closed position. Spray head assembly has two spray heads mounted on supply arms. Each spray head has internal flow control and filter to remove impurities from water. Valve: 1/2" IPS brass stay-open ball valve. 1/2" IPS female inlet. Waste 1 1/2" O.D. chrome plated brass

Catalog Number: 9622

Safety, Acid & Flammable Storage

Safety Glasses/Goggles Monitor



A sturdy, reinforced steel cabinet with baked white enamel finish and vandal resistant locking double doors. Equipped with (8) universal shelves that will hold either (6), #6790 safety glasses or, (5) #6786/#6788 goggles per shelf, for a total of 48 glasses of a total of 40 goggles (glasses and goggles are not included, order separately). A built-in germicidal lamp sanitizes the glasses/goggles between wearings, and is fully shielded from the front to prevent accidental exposure. An automatic 5 minute timer controls the sanitizing period. A 7 1/2' long, three-wire grounded cord with plug is mounted on right end.

Catalog Number: 6784

Dimensions of Components	Width	Height	Depth
Overall	24 1/2"	32"	9 1/2"

Chemical Splash Goggles



Ideal for protection against chemical splash hazards. Molded in tinted non-glare vinyl, these tough, flexible goggles fit easily over personal glasses and feature indirect air vents for cooler wear, & have replaceable .06" acetate lens.

Catalog Number: 6786

Goggles



Ideal for woodworking and general impact protection. Similar to 6786, except with venti-lens feature.

Catalog Number: 6788

Safety Glasses



Used by students in metal shop, machine shop, and in woodworking. Nose bridge will fit most faces and adjustable temple can be self-fitted to temple size requirements. Glasses have clear lenses.

Catalog Number: 6790

Sta-Clear Lens Cleaning Station



All metal dispenser, complete with plastic water bottle and pump. Holds box of 1000 Sta-Clear tissues and bottle; has tissue disposal compartment. Lock on station prevents loss of contents. Quickly fastens to side of monitor case. Sta-clear tissues are furnished only when specified.

Catalog Number: 6792

Safety, Acid & Flammable Storage

Fire Extinguisher



Lightweight steel cylinder, noncorrosive parts inside and out. Waterproof, easy-to-read gauges. Positive squeeze-grip operation with stainless steel handle. Heavy-duty mounting bracket for convenient readiness during any emergency. Dry chemical A.B.C. Rated Extinguisher. Charged with specially formulated siliconized dry chemical UL rated A.B.C. for fighting wood, paper, fabric fires - plus grease, flammable liquid (gasoline, oil) and electrical equipments fires (motors, appliances, switches). Dry chemical extinguishers exceed Department of Transportation safety requirements and are US Coast Guard approved. Unit is covered by OSHA Hazard Communication Standard and Material Safety Data Sheets (MSDS) are available from manufacturer.

Catalog Number: 9964		
Dimensions of Components	Height	Diameter
Overall	15 1/4"	4 1/4"

Fire Blanket - Metal Case



Wool blanket smothers flames fast to help minimize burn injuries. Also useful for general first aid. Blanket measures 62" x 84", and is naturally fire retardant, 100% wool. Heavy duty 22 gauge steel cabinet with red enamel finish, mounts on wall. Drop hinge for quick access.

Catalog Number: 9960			
Dimensions of Components	Width	Height	Depth
Overall	17"	19 1/2"	12"

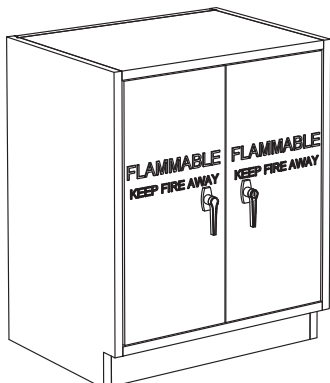
Fire Blanket - Metal Case

First Aid Kit contains a combination of both unit material and bulk packaged products, combining convenience and reliability of "unit-first-aid" along with the economy of bulk materials. Kit contains adhesive bandages, adhesive bandages with non-adherent pads, bandage compress, gauze pads, triangle bandages, burn cream, two sizes of stretch bandage, adhesive tape, non-adherent pads, 1 oz. and 4 oz. eye flush with eye pads, eye cup and tape, antiseptic towelettes, cold pack, latex gloves, forceps, scissors, and a First Aid instruction booklet. Can be wall mounted.

Catalog Number: 9962			
Dimensions of Components	Width	Height	Depth
Overall	9 1/2"	13 1/2"	2 3/4"

Safety, Acid & Flammable Storage

SafeOne™ Wood Flammable Liquid Storage Cabinet



SafeOne™ Flammable storage cabinets are designed to separate the chemicals and flammables stored inside from external heat sources. These cabinets are constructed of 1" thick exterior grade plywood with joints that are mortised and tenoned and then fastened with screws. UL listed Flammable Liquid Storage Cabinet 1TA4. Construction meets all specification standards set by OSHA and NFPA - including NFPA standard recommending these units be vented. Two vents in the cabinet back will accept 2" standard pipe treads, if cabinet is to be vented. If venting is not desired, solid steel vent plugs are included.

A 2" deep pan-style bottom retains any spilled liquid within the cabinet. SafeOne™ doors are inset with a 1" wide astragal that closed off the space between the doors. Doors are mounted on heavy duty, laboratory grade, stainless steel door hinges. The cabinet exterior, stained or left natural, is finished with two coats of acid cured conversion varnish. The cabinet interior is finished with three coats of the same acid cured conversion varnish. The standard SafeOne™ unit is equipped with one adjustable shelf mounted on stainless steel shelf standards set into the end panel; three point locking handles; and large "Flammable - Keep Fire Away" labels on the front of both doors. Self closing doors are available as an option, but must be specified.

Cat. No.	Dimensions	Doors	Capacity
6780	29" W x 22" D x 35" H	Double Hinged Doors	18 Gallons
6780-SC	29" W x 22" D x 35" H	Self-Closing, Hinged	18 Gallons
6780-V	24" W x 22" D x 35" H	Single Hinged Doors	12 Gallons
6780-V1	36" W x 22" D x 35" H	Double Hinged Doors	24 Gallons

Safety, Acid & Flammable Storage

Wood Acid Storage Cabinet



These cabinets are constructed of 1" thick plywood with joints that are mortised and tenoned and then fastened with screws. Two polypropylene vents in the cabinet back will accept 2" standard pipe threads, if cabinet is to be vented. If venting is not desired, polypropylene vent plugs are included. A 2" deep pan-style bottom retains any spilled liquid within the cabinet. Doors are inset with a 1" wide astragal that closes off the space between the doors. Doors are mounted on heavy duty, laboratory grade, stainless steel door hinges. The cabinet exterior, stained or left natural, is finished with two coats of acid cured conversion varnish. The cabinet interior is lined with a one-piece welded polypropylene liner. The unit is equipped with one removable polypropylene shelf, three point locking handles; and large "ACID" label on the front.

Cat. No.	Dimensions	Doors	Capacity
6780A24AS	24" W x 20" D x 35" H	Single Hinged Doors	12 Gallons
6780A24US	24" W x 20" D x 32 1/2" H	Single Hinged Doors	12 Gallons
6780A30AS	30" W x 20" D x 35" H	Double Hinged Doors	18 Gallons
6780A30US	30" W x 20" D x 32 1/2" H	Double Hinged Doors	18 Gallons
6780A36AS	36" W x 20" D x 35" H	Double Hinged Doors	24 Gallons
6780A36US	36" W x 20" D x 32 1/2" H	Double Hinged Doors	24 Gallons

Essentials

Rhearesin (Epoxy Resin)



Epoxy resin work surfaces have been in institutional standard for applications in the classroom and laboratory. Epoxy resin counter tops contain no asbestos, will not ignite, are non-conductive, and even 'certified as excellent' for ease of decontamination when used in radioactive areas. The product is monolithic, non-porous and highly resistant to the corrosive effects of most laboratory chemicals & broad span of temperatures normally encountered in experiments. Offered in a variety of six standard colors, the product has a smooth, low glare surface that is easily cleaned and maintained. Resin tops are available for tables, counters, inside fume hoods, with integral or separate back splash, and with beveled, radius, raised marine or contoured edges. Work surfaces with integral drain tops, drop-in or under mount sinks, troughs, pegboards and a variety of specialty sinks, overflows and outlets are also available in epoxy resin. Standard for epoxy resin work surfaces is black, 1" thick with back splash curb 4" high.

Phenolic



Phenolic is a solid resin material composed of laminates of high pressure thermoset plastic (multiple layers of select papers impregnated with phenolic resins) with excellent chemical acid and scratch resistance. The standard is black with a black core, 1" thick and with back splash curb that is 4" high. Other colors, both in solid and designer effects, and with textured surfaces are available.

RheaTex (Laminate)

The top surface and edge band are horizontal grade high pressure plastic laminate applied to a 46-50 lb. density particleboard core. The finished top is 1" thick and the curb is 4" high. A phenolic backing sheet is applied to the bottom surface. Standard color is black; however a broad range of plastic laminate colors are available. An additional option is to edge band the work surface with lumber, stained to match casework.

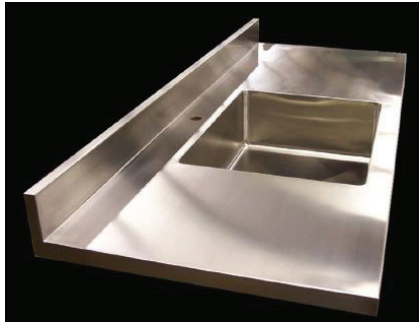
Chem-Surf™ (Laminate)

The top surface and edge band are horizontal grade high pressure plastic laminate applied to a 46-50 lb. density particleboard core. The finished top is 1" thick and the curb is 4" high. Surface is designed for use where extra chemical resistance is required. A phenolic backing sheet is applied to the bottom surface. Standard color is black with a finely textured finish; however, a broad range of plastic laminate colors are available. An additional option is to edge band the work surface with lumber, stained to match casework.

Tuf-Surf™ (Laminate)

The top surface and edge band are horizontal grade high pressure plastic laminated applied to a 46-50 lb. density particleboard core. The finished top is 1" thick and the curb is 4" high. Surface is designed for use where extra chemical resistance is required. A phenolic backing sheet is applied to the bottom surface. Standard color is black with a matte textured finish; however, a broad range of plastic laminate colors are available. An additional option is to edge band the work surface with lumber, stained to match casework.

Stainless Steel



Top is fabricated from number 16 gauge, type 304, stainless steel; and, exposed surfaces have a satin finish. The sink reinforced on the full length of the underside with number 16-gauge steel, U-type structural channels. A wood or steel frame around the front and ends is provided for fastening to cabinet. Sink bowls are seamless, electrically welded and ground and polished to a hand blended satin finish. Drain boards, flanges, curbs and back splashes are integral. Joints are electrically welded, then ground and polished to a hand blended satin finish. The entire unit is thoroughly sound deadened.

Maple



Natural maple top is composed of laminated strips of electronically glued, select hard maple. The top surface is finished with two coats of UV cured, penetrating acrylic sealer; and the bottom surface receives one coat. Standard thickness is 1 3/4" thick and the curb is 4" high and 3/4" thick.

Work Surface - Application Guidelines

These guidelines are to assist in work surface selection for a variety of applications. Consult your CampbellRhea Dealer for additional product specifications and cost variables with selected work surfaces.

RheaResin

- High School Science Labs, Prep Rooms
- University & College Science and Research Labs
- Industrial, Commercial, Research, Municipal Water Treatment Facilities
- Darkrooms

Phenolic

- Research Labs
- General Sciences
- Life Skills/Home Economics
- Shop

RheaTex (not recommended for science lab applications)

- Life Skills/Home Economics
- Arts and Crafts
- Hospital and Dorm Rooms
- General Classrooms
- Music

ChemSurf™

- Same as RheaTex; however, include General Sciences

TufSurf™

- High School Science Labs
- Life Skills/Home Economics
- Arts and Crafts
- Hospital and Dorm Rooms
- General Classrooms

Stainless Steel

- High School Science Labs, Prep Rooms
- University and College Labs
- Industrial & Commercial, Research & Development, Municipal Water Treatment Facilities
- Darkrooms

Granite

- High School Science Labs, Prep Rooms
- University & College Science and Research Labs
- Industrial, Commercial, Research, Municipal Water Treatment Facilities
- Darkrooms
- Hospital and Dorm Rooms
- General Classrooms
- Music

RheaRock

- High School Science Labs, Prep Rooms
- University & College Science and Research Labs
- Industrial & Commercial, Research & Development, Municipal Water Treatment Facilities

Maple

- Shop
- Life Skills/Home Economics
- Arts and Crafts

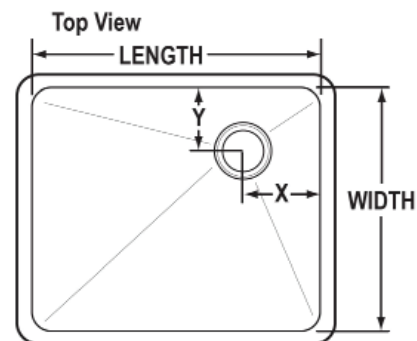
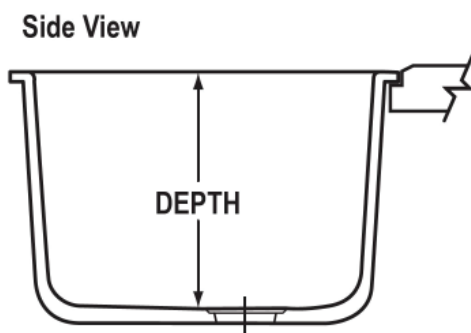
Corian™ (not recommended for science lab applications)

- Life Skills/Home Economics
- Hospital and Dorm Rooms
- General Sciences

Drop-In Epoxy Resin Sinks



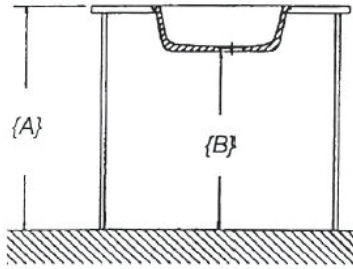
Drop-in epoxy resin sinks have easy top mount installation. The unit sits into rabbeted cutout in counter top. Drop-in sinks can be installed without sink supports; however, supports are recommended for “double” sinks. Multi-compartment sinks can be achieved by installing sinks side by side. Drop-in sinks can be used with a variety of top materials, and are suitable for ADA applications. Epoxy resin sinks are cast in one piece from modified epoxy resins, compounded and cured to produce maximum physical and chemical properties. All inside corners are coved and bottom is pitched to the drain outlet. Color is non-glaring jet black.



Catalog Number	Nominal Inside Dimensions (at top of sink)			Sink Height O.D. Center	Location of drain		Recommended for:	
	Length	Width	Depth		(Y)	(X)		
9724D	12"	8"	6"	6 5/8"	Center	6"	4"	18", 24" or 30" deep tops
9726D	14"	10"	6"	6 5/8"	Center	7"	5"	24" or 30" deep tops
9728D	16"	8"	7"	7 5/8"	End	3 1/2"	4"	18", 24" or 30" deep tops
9730D	16"	12"	8"	8 5/8"	Center	8"	6"	24" or 30" deep tops
9732D	18"	15"	8"	8 5/8"	Corner	3 1/2"	3 1/2"	24" or 30" deep tops
9734D	18"	15"	11"	11 5/8"	Corner	3 1/2"	3 1/2"	24" or 30" deep tops
9736D	21"	17"	10"	10 5/8"	End	4 1/2"	9"	30" deep tops
9738D	24"	16"	8"	8 5/8"	Center	12"	8"	30" deep tops
9740D	25"	15"	10"	10 5/8"	Corner	3 1/2"	3 1/2"	24" or 30" deep tops

Essentials

ADA Compliant Drop-In Epoxy Resin Sinks



ADA compliant sinks have all outside edges and corners rounded for the user's comfort and protection. Plumbing outlets are located in the right rear corner to maximize space under the sink. ADA compliance requires a height of no more than 34" (A) from floor to work surface top; and a minimum of 27" (B) clearance from floor to allow for wheelchair access.

Catalog Number: 9705D

Sink is flush mounted, eliminating need for sink supports. Exterior corners are rounded on sides and bottom for protection. Interior dimensions are 14" L x 10" W x 5" D with corner drain 3 1/2" from sides. Sink height O.D. is 6". Sink can be used in 24" or 30" deep tops.

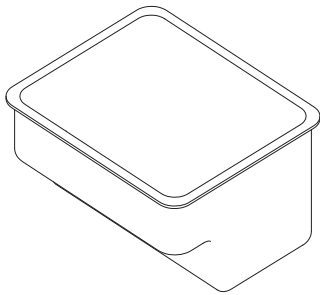
Catalog Number: 9707D

Same as 9705D except 14" W, I.D. Recommended for 24" or 30" deep tops; however, only works in 24" top if knee clearance is minimum of 27" and rail is 6"H

Catalog Number: 9709D

Same as 9705D except 18" L, and 15" W I.D. Recommended for 24" or 30" deep tops; however, only works in 24" top if knee clearance is minimum of 27" & rail is 6" H.

ADA Compliant Drop-In Epoxy Resin 'Step' Sinks



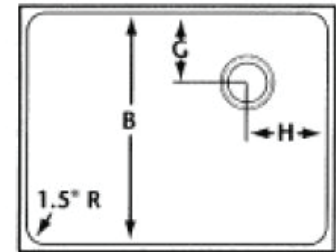
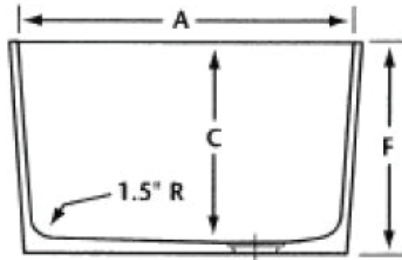
ADA compliant sinks have all outside edges and corners rounded for the user's comfort and protection. Plumbing outlets are located in the right rear corner to maximize space under the sink.

Catalog Number: 9711D

Overall exterior dimensions, including lip, are 19.62" W x 16.62" D. Interior dimensions are 18" W x 15" D and 5" depth at shallow step, and 11" depth at deepest point. Plumbing outlet is located in the right rear corner to maximize space under the sink. Sink is flush mounted eliminating need for sink supports. Sink can be used in tops with a minimum depth of 24" or 30".

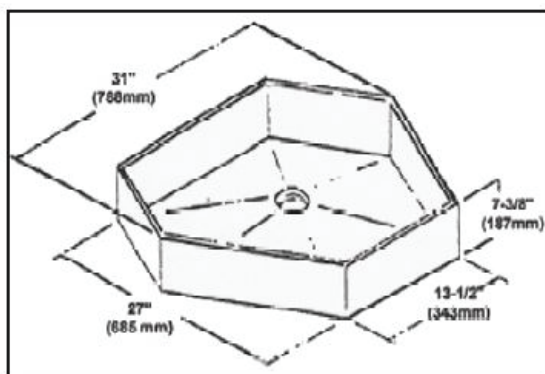
Epoxy Resin Rectangular Sinks

Epoxy resin sinks are cast in one piece from modified epoxy resins, compounded and cured to produce maximum physical and chemical properties. All inside corners are covered and bottom is pitched to the drain outlet. Color is non-glaring jet black. Multi-compartment sinks are available in end-to-end or side-by-side assembly. To specify, use number from table for size required, add suffix 'DC' and specify end-to-end or side-by-side.



Catalog Number	Nominal Inside Dimensions (at top of sink)			Sink Height O.D. Center	Location of drain		Recommended for:	
	L (A)	W (B)	H (C)		(G)	(H)		
9724	12"	8"	6"	6 5/8"	Center	6"	4"	18", 24" or 30" deep tops
9726	14"	10"	6"	6 5/8"	Center	7"	5"	24" or 30" deep tops
9728	16"	8"	7"	7 5/8"	End	4"	4.5"	18", 24", or 30" deep tops
9730	16"	12"	8"	8 5/8"	Center	8"	6"	24" or 30" deep tops
9732	18"	15"	8"	8 5/8"	Corner	3 1/2"	3 1/2"	24" or 30" deep tops
9734	18"	15"	11"	11 5/8"	Corner	3 1/2"	3 1/2"	24" or 30" deep tops
9736	21"	17"	10"	10 5/8"	End	4 1/2"	9"	30" deep tops
9738	24"	16"	8"	8 5/8"	Center	12"	8"	30" deep tops
9740	25"	15"	10"	10 5/8"	Corner	3 1/2"	3 1/2"	24" or 30" deep tops
9742	28"	20"	8 3/4"	9 3/8"	Side	14"	6.5"	30" deep tops

Hexagonal Epoxy Resin Sink



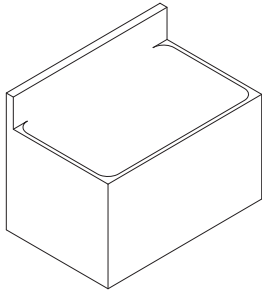
Molded as one piece. Six interior corners are covered and bottom sloped for easy cleaning and maintenance. Countersunk hole for standard epoxy resin sink outlet. Shipping weight is approximately 82 lbs.

Catalog Number: 9747

Dimensions: See Illustration

Essentials

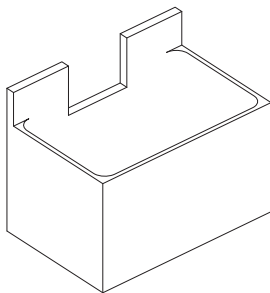
Epoxy Resin End Sink



Back splash is 3 3/4" H. Outlet location is on side.

Catalog Number: 9720			
Dimensions of Components	Width	Length	Depth
Inside (Bottom)	21"	13"	12 5/8"

Epoxy Resin End Sink with Trough Cutout

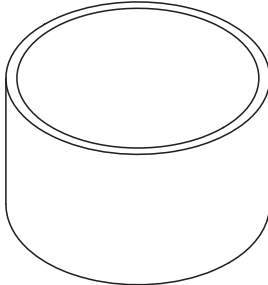


Cutout (size must be specified) in back splash for trough. Outlet location is on side.

Catalog Number: 9722			
Dimensions of Components	Width	Length	Depth
Inside (Bottom)	21"	13"	12 5/8"

Catalog Number: 9723
Same as 9723 except 15 9/16" W x 15 9/16" L x 12" D

Epoxy Resin Cylindrical Sink



Catalog Number: 9744

Dimensions: 12" diameter x 7 1/2" H (I.D.)

Catalog Number: 9744D

Same as 9744, except drop-in style

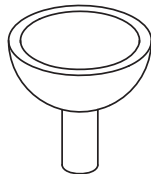
Catalog Number: 9745D

Same as 9744D, except 10" diameter

Catalog Number: 9746

Dimensions: 20" diameter x 8" H (I.D.)

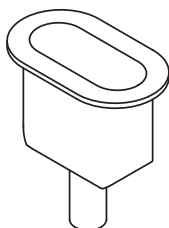
Round Cup Sink



Epoxy resin hemispherical cup sink has a 6" diameter. Tailpiece has 1 1/2" N.P.S. threads.

Catalog Number: 9710

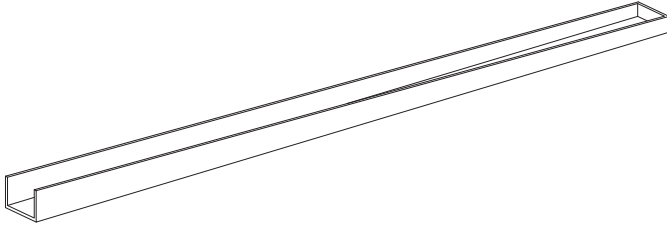
Oval Cup Sink



Epoxy resin oval cup sink has a 6" x 3" (I.D.). Tailpiece has 1 1/2" N.P.S. threads.

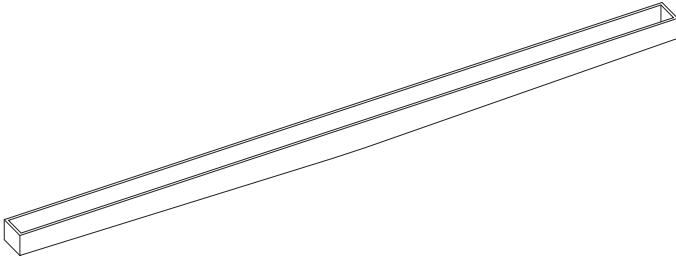
Catalog Number: 9714

Epoxy Resin Troughs



Troughs are produced in 3 open end sections, each 6' in length. These sections, or any portion of them, can be cemented together to form a trough up to 18' in length. An end cap is cemented on the closed end. If necessary, both ends can be closed and the flat area of section one, countersunk for drain outlet. Trough is sloped to drain.

Catalog Number: 9748			
Dimensions of Components	Width	Length	Depth
Overall (I.D)	6 5/8"	Specify	4 9/16"



Trough has both ends closed with a drain hole in the center. The end caps may be removed and additional sections up to 6' long added to ends so that a maximum length to approximately 24' may be obtained. Trough is sloped to drain.

Catalog Number: 9750			
Dimensions of Components	Width	Length	Depth
Overall (I.D)	4"	11' 6"	4 9/16"

Standard 1 1/2" epoxy resin sink outlet, centered drain, and both ends are closed.

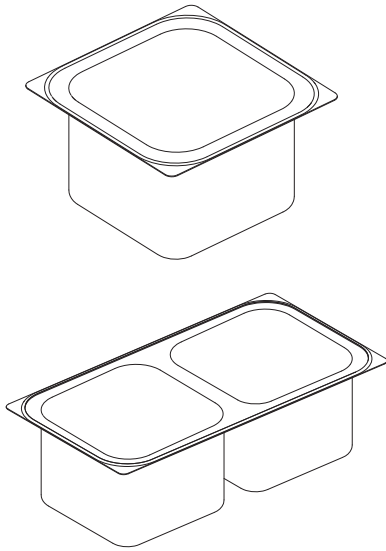
Catalog Number: 9751			
Dimensions of Components	Height	Length	Depth
Overall (O.D)	5 1/4"	41 1/2"	7 5/8"

Catalog Number: 9751A			
Same as 9751 except 4 1/4" H x 51" L x 9" D (I.D.)			

Essentials

Stainless Steel Sinks

Stainless Steel Sinks are made of type 302, 18-8 stainless steel and have the inside corners and bottom radius-ed. The 3 1/2" drain holes for 4 1/2" cup strainers are centered in bowl. All sinks are grip-rim for easy installation. Cutout is 3/4" less than O.D. First dimension is front to back. Second dimension is left to right.



Single Compartment - Less Faucet Ledge - 18 Ga.

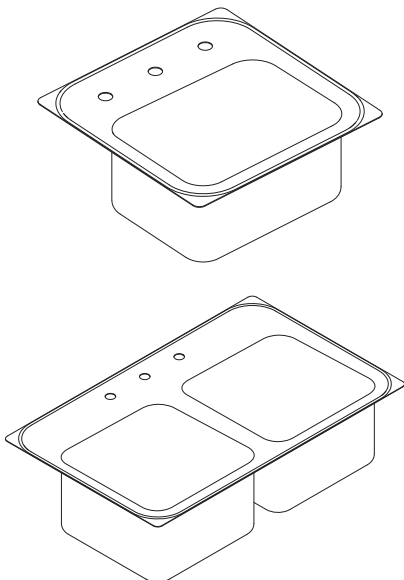
Catalog Number	O.D.	I.D.	Depth	Recommended for:
9752	13" x 13"	10" x 10"	7 1/2"	18" or 24" deep tops
9754	14 1/8" x 19"	11 1/2" x 16"	7 1/2"	24" deep tops
9756	17" x 17"	14" x 14"	7 1/2"	24" deep tops
9758	17" x 19"	14" x 16"	7 1/2"	24" deep tops
9760	17" x 19"	14" x 16"	10 1/2"	24" deep tops
9762	19" x 19"	16" x 16"	7 1/2"	30" deep tops
9764	19" x 22"	16" x 19"	7 1/2"	30" deep tops
9766	19" x 22"	16" x 19"	10 1/2"	30" deep tops
9768	19" x 25"	16" x 22"	10 1/2"	30" deep tops
9770	19" x 31"	16" x 28"	10 1/2"	30" deep tops

Double Compartment - Less Faucet Ledge - 18 Ga.

Catalog Number	O.D.	I.D.	Depth	Recommended for:
9772	13" x 25"	10" x 10"	7 1/2"	18" or 24" deep tops
9774	15" x 29"	12" x 12"	7 1/2"	30" deep tops
9776	19" x 33"	16" x 14"	7 1/2"	30" deep tops
9778	19" x 33"	16" x 14"	10 1/2"	30" deep tops
9780	19" x 37"	16" x 16"	7 1/2"	30" deep tops
9782	19" x 43"	16" x 19"	7 1/2"	30" deep tops
9784	19" x 43"	16" x 19"	10 1/2"	30" deep tops

Stainless Steel Sinks with Faucet Cutouts

Stainless Steel Sinks are made of type 302, 18-8 stainless steel and have the inside corners and bottom radius-ed. The 3 1/2" drain holes for 4 1/2" cup strainers are centered in bowl. All sinks are grip-rim for easy installation. Cutout is 3/4" less than O.D. First dimension is front to back. Second dimension is left to right. *3 1/2" wide ledge.



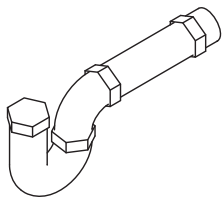
Single Compartment - Less Faucet Ledge - 18 Ga.

Catalog Number	O.D.	I.D.	Depth	Recommended for:
9786	15" x 15"	9" x 12"	6"	18" or 24" deep tops
9788	17 1/2" x 19"	11 1/2" x 16"	7 1/2"	24" or 30" deep tops
9790	18" x 15"	12" x 12"	7 1/2"	24" or 30" deep tops
9792	19" x 21"*	14" x 18"	7 1/2"	24" or 30" deep tops
9794	19" x 21"*	14" x 18"	10 1/2"	24" or 30" deep tops
9796	20" x 19"	14" x 16"	7 1/2"	24" or 30" deep tops
9798	20" x 19"	14" x 16"	10 1/2"	24" or 30" deep tops
9800	19" x 21"*	16" x 16"	7 1/2"	24" or 30" deep tops
9802	21" x 22"*	16" x 19"	7 1/2"	24" or 30" deep tops

Double Compartment - Less Faucet Ledge - 18 Ga.

Catalog Number	O.D.	I.D.	Depth	Recommended for:
9804	19" x 29"	12" x 12"	7 1/2"	24" or 30" deep tops
9806	20" x 37"	14" x 16"	7 1/2"	24" or 30" deep tops
9808	21" x 28"*	16" x 11 1/2"	7 1/2"	24" or 30" deep tops
9810	21" x 33"*	16" x 14"	7 1/2"	24" or 30" deep tops
9812	21" x 37"*	16" x 16"	7 1/2"	24" or 30" deep tops
9814	22" x 33"	16" x 14"	10 1/2"	30" deep tops
9816	22" x 37"	16" x 16"	10 1/2"	30" deep tops

Chrome Plated Brass "P" Trap

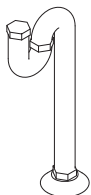


Flange included. Slip joint connections.

Catalog Number: 9636

Center to end 12". 1 1/2" size.

Chrome Plated Brass "S" Trap

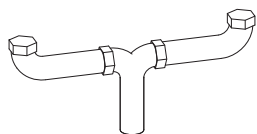


Flange included. Slip joint connections.

Catalog Number: 9638

20 1/2" overall. 1 1/2" size.

Chrome Plated Brass Continuous Waste - Center



Slip joint connections. Center outlet with 4" L tailpiece.

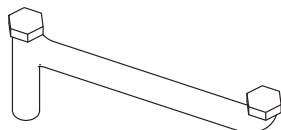
Catalog Number: 9640

16" center to center. 1 1/2" size.

Catalog Number: 9642

Same as 9640 except 21" center to center.

Chrome Plated Brass Continuous Waste - End



Slip joint connections. End outlet with 4" L tailpiece.

Catalog Number: 9644

16" center to center. 1 1/2" size.

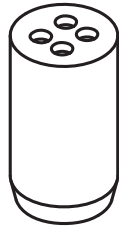
Catalog Number: 9646

Same as 9644 except 21" center to center.

Illustrations represent the purpose and general design, and are not necessarily an exact, or accurate, depiction of the item. Refer to descriptive copy for an accurate assessment of purpose, function & design.

Essentials

Polypropylene Beehive Overflow



Catalog Number: 9676

Designed for use with 9688 sink outlet. 4" High.

Catalog Number: 9678

Same as 9676 except 6" H.

Catalog Number: 9680

Same as 9676 except 8" H.

Polypropylene Open End Overflow



Catalog Number: 9682

Designed for use with 9688 sink outlet. 8" High.

Catalog Number: 9684

Same as 9682 except 10" High.

Polypropylene Sink Outlet



Complete with integral cross bars, locknut and washers. 1 1/2" N.P.S. threads.

Catalog Number: 9688

Polypropylene Stopper



Stopper is 1 1/2" in diameter to fit sink outlet opening. 1/4" diameter hole is provided for a chain. Chain is not included.

Catalog Number: 9689

Stainless Steel Strainer



Strainer has removable basket with rubber seat stopper and 1 1/2" chrome plated brass tailpiece, 4" L. 4 1/2" diameter flange for 3 1/2" to 4" diameter hole.

Catalog Number: 9690

Illustrations represent the purpose and general design, and are not necessarily an exact, or accurate, depiction of the item. Refer to descriptive copy for an accurate assessment of purpose, function & design.

Chrome Plated Brass Tailpiece



Catalog Number: 9694

Tailpiece with coupling nut. 4" L & 1 1/2" size

Catalog Number: 9696

Same as 9694 except 6" L

Chrome Plated Brass Tailpiece



1 1/2" N.P.T. female thread inlet with 12" long schedule 40 pipe extension. 12" length of pipe.

Catalog Number: 9976

Interceptor Trap



Cast iron solids interceptor with internal deep seal trap, clean-out, removable perforated nickel plated sediment bucket with lift handle and gas tight cover. Inlet and outlet: 1 1/2" N.P.T. Overall: 8 1/2" diameter; 11" at widest point; 12 1/2" high; and 4" minimum clearance above cover for removal of basket.

Catalog Number: 9702

Dilution Trap



One gallon capacity. For use with polypropylene pipe; two 1 1/2" loose nut inlets and one 2" outlet. Requires support.

Catalog Number: 9704

Neutralizing & Dilution Trap



1 1/2 gallon capacity; for use with polypropylene pipes; one 1 1/2" inlet, and one 1 1/2" outlet with a 3" clean-out. Requires support.

Note: If trap is to be used for neutralization, limestone or other neutralizing filter chips can be introduced. Not included.

Catalog Number: 9704B

Illustrations represent the purpose and general design, and are not necessarily an exact, or accurate, depiction of the item. Refer to descriptive copy for an accurate assessment of purpose, function & design.

Essentials

Gas, Air & Vacuum Fittings

Unless otherwise specified or ordered, all fixtures are supplied with the necessary shank connectors, lock nuts and washers for attaching to counter tops, curbs or panels.

Laboratory Ball Valves: Lever handle standard is in black nylon, with service color coded button. If specified, handles are also available in color-coded nylon or forged brass at additional cost. The handle requires less than 5 foot-pounds to actuate, making the valve ideal for ADA applications. Valve has an integral, non-removable hose end. Valve is certified for use with natural gas by CSA International under ANSIZ21-15-1997/cGA9.1-M97. Valve incorporates a chrome plate brass ball and molded Teflon seals.

Color Codes for Handle Buttons

Cold Water: Green

Hot Water: Red

Gas: Blue

Nitrogen: Brown

Hydrogen: Pink

Oxygen: Light Green

Steam: Black

Air: Orange

Vacuum: Yellow

Single Fitting



For deck mounting, consists of single outlet turret and a laboratory ball valve assembly. Specify service desired. 3/8" N.P.T. inlet. (DO NOT USE FOR OXYGEN)

Catalog Number: 9400

180° Double Fitting



For deck mounting, consists of two way 180° outlet turret and two laboratory ball valve assemblies. Specify service desired. 3/8" N.P.T. inlet. (DO NOT USE FOR OXYGEN)

Catalog Number: 9402

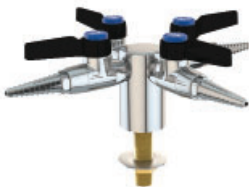
90° Double Fitting



For deck mounting, consists of two way 90° outlet turret and two laboratory ball valve assemblies. Specify service desired. 3/8" N.P.T. inlet. (DO NOT USE FOR OXYGEN)

Catalog Number: 9404

Four Way Fitting



For deck mounting, consists of one, four outlet turret and a laboratory ball valve assemblies. Specify service desired. 3/8" N.P.T. inlet. (DO NOT USE FOR OXYGEN)

Catalog Number: 9406

Single Fitting



For curb or panel mounting, consists of one panel flange; one laboratory ball valve assembly; and one 3/8" N.P.T. male inlet with 2 3/8" mounting shank. Specify service desired.

Catalog Number: 9407

Double Fitting



For curb or panel mounting, consists of one panel flange; two laboratory ball valve assemblies; and one 3/8" N.P.T. male inlet with 2 3/8" mounting shank. Specify service desired.

Catalog Number: 9409

Illustrations represent the purpose and general design, and are not necessarily an exact, or accurate, depiction of the item. Refer to descriptive copy for an accurate assessment of purpose, function & design.

Unless otherwise specified or ordered, all fixtures are supplied with the necessary shank connectors, lock nuts and washers for attaching to counter tops, curbs or panels.

Needlepoint Cock for Rare Gases & Oxygen



Cock has integral straight hose connector with ten serrations. Designed for fine control of rare gases and can still be used with other standard services. 3/8" N.P.T. inlet. Specify service desired.

Catalog Number: 9444

NOT TO BE USED FOR OXYGEN

Catalog Number: 9446

Same as 9444 except specifically designed TO BE USED FOR OXYGEN

Steam & Water Fittings

Unless otherwise specified or ordered, all fixtures are supplied with the necessary shank connectors, lock nuts and washers for attaching to counter tops, curbs or panels.

Water Faucet



Faucet has removable straight hose connector. 1/2" N.P.T.

Catalog Number: 9418

Female inlet

Catalog Number: 9420

Male inlet

Water Faucet



Faucet has a removable hose connector.

Catalog Number: 9426

1/2" N.P.T. male inlet

Catalog Number: 9428

3/8" N.P.T. male inlet

Steam Valve



Valve has Bakelite handle needlepoint valve and a removable hose connector.

Catalog Number: 9430

Angled hose connector. 3/8" male inlet

Catalog Number: 9432

Straight hose connector. 3/8" male inlet

Illustrations represent the purpose and general design, and are not necessarily an exact, or accurate, depiction of the item. Refer to descriptive copy for an accurate assessment of purpose, function & design.

Essentials

Unless otherwise specified or ordered, all fixtures are supplied with the necessary shank connectors, lock nuts and washers for attaching to counter tops, curbs or panels.

Blade Wrist Handle



Can be specified for water faucets if desired. Handle is 4" L. Verify workability for each application before specifying.

Catalog Number: 9604

Hose Connectors



Angle hose connector provided with nine serrations and threaded 3/8" N.P.T. for turrets

Catalog Number: 9438

Gooseneck adapter converts rigid body outlet to accept rigid/swing gooseneck or spout. 3/8" N.P.T. male base.

Catalog Number: 9596

Vacuum Breaker



For gooseneck end, 3/8" N.P.S. male inlet and 3/8" N.P.T. female outlet.

Catalog Number: 9586

Aerator



Optional aerator tip for faucets

Catalog Number: 9590

Filter Pump



5 7/16" L, 3/8" N.P.T. inlet.

Catalog Number: 9602

Illustrations represent the purpose and general design, and are not necessarily an exact, or accurate, depiction of the item. Refer to descriptive copy for an accurate assessment of purpose, function & design.

Unless otherwise specified or ordered, all fixtures are supplied with the necessary shank connectors, lock nuts and washers for attaching to counter tops, curbs or panels.

Distilled Water Faucets



Faucet for deck mounting has a 6" spread with vacuum breaker and a removable straight hose connector. Integral shank with 1/2" N.P.S. threads. Exposed surfaces are polished chrome plated. Specify epoxy powder coating, if desired.

Catalog Number: 9571

Standard handle

Catalog Number: 9571SC

Same as 9571 except with self-closing handle

Tin Lined, Distilled Water Faucets



Faucet for deck mounting has a 6" spread gooseneck with a removable straight hose connector. Integral shank with 1/2" N.P.S. threads. Exposed surfaces are polished chrome plated. Specify epoxy powder coating, if desired.

Catalog Number: 9574

Without vacuum breaker

Catalog Number: 9575

Same as 9574 except with vacuum breaker

Water Still



Output gallons per hour is 2 gph. Lined with tin due to its inertness to the effects of pure water. Electrically operated, requires one, 120 volt, 20 amp, service line and one 240 volt, 26 amp, single phase service line to the contractor box for the heating elements. Standard unit does not come with a controller unit and required manual on and off. Features a low-water safety device as well as a Q-baffle for the removal of pyrogens. Tin lined inclined condenser to prevent leaching of impurities into pure concentrate. Bench mounting brackets standard; wall and floor mounting brackets must be specified.

Catalog Number: 9974

Dimensions of Components	Width	Height	Depth
Overall	23"	35"	11"

Illustrations represent the purpose and general design, and are not necessarily an exact, or accurate, depiction of the item. Refer to descriptive copy for an accurate assessment of purpose, function & design.

Essentials

Unless otherwise specified or ordered, all fixtures are supplied with the necessary shank connectors, lock nuts and washers for attaching to counter tops, curbs or panels.

Hot and Cold Mixing Faucet



For curb or panel mounting, has an 8" spread spout equipped with aerator. 1/2" flanged female inlets 8" on center. Exposed surfaces are polished chrome plated. Specify epoxy powder coating, if desired.

Catalog Number: 9544

without vacuum breaker

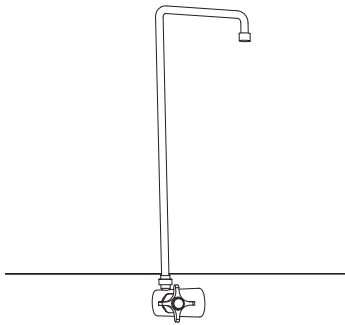
Catalog Number: 9546

Same as 9544 except with soap dish

Catalog Number: 9548

Same as 9544 except with vacuum breaker.

Cold Water Aquarium Faucet



Panel mount, 6" spread, 20" gooseneck with aerator. 1/2" flanged female inlet.

Catalog Number: 9558

without vacuum breaker

Catalog Number: 9559

Same as 9558 except with vacuum breaker

Single Water Faucet



Deck mount has a 6" spread neck with integral vacuum breaker and a removable straight hose connector. Inlet shank with 1/2" N.P.T. threads. ADA compatible blade handle available, if specified. Exposed surfaces are polished chrome plated. Specify epoxy powder coating, if desired.

Catalog Number: 9488

without vacuum breaker

Catalog Number: 9486

Same as 9488 except with vacuum breaker

Illustrations represent the purpose and general design, and are not necessarily an exact, or accurate, depiction of the item. Refer to descriptive copy for an accurate assessment of purpose, function & design.

Unless otherwise specified or ordered, all fixtures are supplied with the necessary shank connectors, lock nuts and washers for attaching to counter tops, curbs or panels.

Hot & Cold Water Mixing Faucet



For deck mounting, has an 9" spread neck, equipped with integral vacuum breaker, and swing spout with aerator. Equipped with two, 3/8" copper pipe inlets. ADA compatible blade handles available, if specified. Exposed surfaces are polished chrome plated. Specify epoxy powder coating, if desired.

Catalog Number: 9504



Deck mount, has a 6" spread neck with integral vacuum breaker & removable straight hose connector. ADA compatible blade handles available, if specified. Unit is equipped with two, 3/8" copper pipe inlets. Exposed surfaces are polished chrome plated. Specify epoxy powder coating, if desired.

Catalog Number: 9500

with vacuum breaker

Catalog Number: 9498

Same as 9500 except without vacuum breaker



For curb or panel mounting, has a 6" spread gooseneck with aerator and integral vacuum breaker. 3/8" flanged female inlets, 8" on center. ADA compatible blade handles available, if specified. Exposed surfaces are polished chrome plated. Specify epoxy power coating, if desired.

Catalog Number: 9540

Multi-Service Fixture with Vacuum Breaker



Chrome plated unit designed for multiple services where hot and cold water and gas are required. (Air and vacuum may be substituted for gas). Gas supply is controlled by two laboratory ball valves. Water and gas outlets are furnished with straight hose connectors. The fixture has a 4 1/2" spread heavy duty 1/2" I.P.S. neck; inlet is a 3/8" N.P.T. Fixture body, head and key cock valves are forged brass. If vacuum breaker is required, specify in-line type. Optional 4" blade handle for water services is available if specified. Exposed surfaces are polished chrome plated. Specify epoxy powder coating, if desired. 7" from base to serrated tip.

Catalog Number: 9527

Dimensions of Components	Width	Height	Depth
Overall	8 1/8"	11"	-
Base	4 1/4"	-	2 3/16"

Catalog Number: 9529

Same as 9527 except with only cold water & gas services.

Illustrations represent the purpose and general design, and are not necessarily an exact, or accurate, depiction of the item. Refer to descriptive copy for an accurate assessment of purpose, function & design.

Essentials

Unless otherwise specified or ordered, all fixtures are supplied with the necessary shank connectors, lock nuts and washers for attaching to counter tops, curbs or panels.

Multi-Service Fixture



For deck mounting. Has turret base, one cold water valve with 6" spread gooseneck with integral vacuum breaker and removable straight hose connector; two laboratory ball valve assemblies and two 3/8" N.P.T. inlets. Exposed surfaces are polished chrome plated. Specify epoxy powder coating, if desired.

Catalog Number: 9522

Vandal Resistant Triple Service Fixture



Use when three services are desired. The water valve incorporates the WaterSaver renewable unit. Unit has integral vacuum breaker. Two laboratory ball valves are for gas, air or vacuum services; the valves may carry different services. Triple inlets secure fixture to counter and prevent fixture from being turned. Three 3/8" N.P.T. male inlets. Exposed surfaces are polished chrome plated. Specify epoxy powder coating, if desired.

Catalog Number: 9519

Hot & Cold Water Mixing Faucet



For panel or curb mounting. Has a 6" spread gooseneck with integral vacuum breaker and a removable straight hose connector. 3/8" flanged female inlets, 3" on center. Exposed surfaces are polished chrome plated. Specify epoxy powder coating, if desired.

Catalog Number: 9526

Single Water Fixture



For deck mounting has an 9" spread, swing spout with aerator and integral vacuum breaker. Integral shank with 3/8" N.P.T. threads. Exposed surfaces are polished chrome plated. Specify epoxy powder coating, if desired.

Catalog Number: 9492

Illustrations represent the purpose and general design, and are not necessarily an exact, or accurate, depiction of the item. Refer to descriptive copy for an accurate assessment of purpose, function & design.

Unless otherwise specified or ordered, all fixtures are supplied with the necessary shank connectors, lock nuts and washers for attaching to counter tops, curbs or panels.

ADA Compliant Hot & Cold Water Mixing Faucet



For deck mounting, has a 4" spread gooseneck with aerator; integral vacuum breaker; 4" wrist blade handles. 1/2" N.P.T. male inlets on 4" center. Exposed surfaces are polished chrome plated. Specify epoxy powder coating, if desired.

Catalog Number: 9511

Hot & Cold Water Mixing Faucet



For deck mounting has an 9" spread, swing spout with aerator. Equipped with integral vacuum breaker and with soap dish. 3/8" N.P.T. male inlets on 8" center. Exposed surfaces are polished chrome plated. Specify epoxy powder coating, if desired.

Catalog Number: 9506



For deck mounting has an 9" spread, swing spout with aerator and integral vacuum breaker. 3/8" N.P.T. male inlets on 8" center. Exposed surfaces are polished chrome plated. Specify epoxy powder coating, if desired.

Catalog Number: 9496

Single Water Faucet



For curb or panel mounting; has a 6" spread gooseneck with integral vacuum breaker and removable straight hose connector. 1/2" N.P.T. male inlet. Exposed surfaces are polished chrome plated. Specify epoxy powder coating, if desired.

Catalog Number: 9534

Left hand

Catalog Number: 9536

Same as 9534 except right hand

Illustrations represent the purpose and general design, and are not necessarily an exact, or accurate, depiction of the item. Refer to descriptive copy for an accurate assessment of purpose, function & design.

Essentials

Electrical Service Fittings

Description	Type 1 Flush receptacle in single gang box	Type 2 Flush receptacles in 2-gang box	Type 3 Single faced pedestal	Type 4 Double faced pedestal	Type 5 Single faced pedestal	Type 6 Double faced pedestal	Type 7 Single faced conduit box	Type 8 Double faced conduit box
Duplex 3-wire polarized grounding receptacle. (15 amp, 125 amp) For 20 amp, 125 volt add suffix -20. Example: 9818-20	9818	9820	9822	9824	9826	9828	9830	9832
	9867A (w/ GFCI)	9821 (w/ GFCI)	9823 (w/ GFCI)	9825 (w/ GFCI)	9827 (w/ GFCI)	9829 (w/ GFCI)		
Duplex 3-wire polarized grounding receptacle (20 amp, 250 volt)	9834	-	9836	9838	-	-	9840	9842
Single 3-wire polarized grounding receptacle (20 amp, 250 volt)	9844	-	9846	9848	-	-	9850	9852
Duplex 3-wire polarized grounding receptacle (15 amp, 125 volt only) and toggle switch (15 amp, 125 and 250 volt)	-	9854	-	-	9856	9858	-	-
		9855 (w/ GFCI)						
		9855-A (w/ "Decora" switch)						
Single pole toggle switch (15 amp, 125 and 250 volt)	9860	-	9862	-	-	-	-	-
	9861 (20 amp) (w/ "Decora" switch)							
Toggle switch w/ pilot light single pole 15 amp. 120 volt	9864	-	9866	-	-	-	-	-
Single pole 20 amp, 120 volt	9864-A	-	9866-A	-	-	-	-	-

Motor Starter



One or two pole, single phase, toggle operated. Plug in heaters not included. One hp, 115-230 volt AC.

Catalog Number: 9863

Ground Fault Circuit Interrupter



GFCI with indicator light.

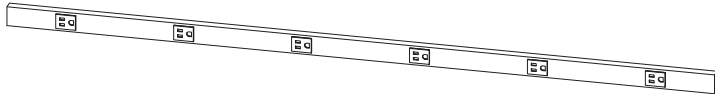
Catalog Number: 9867A

20 amp, 120 volt AC

Catalog Number: 9867B

15 amp, 120 volt AC

Plug-in Strip



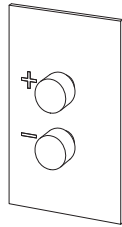
Compact, buff color, all steel raceway with three wire grounded. Two circuit harness with 125 volt, 15 amp, grounding type receptacles. Specify length required.

Catalog Number: 9870

Outlets 12" on center

Essentials

Flush Receptacle



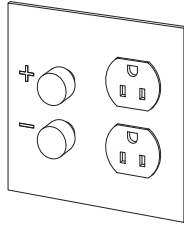
One positive and one negative DC binding post.

Catalog Number: 9872

Vertical mount

Catalog Number: 9874

Same as 9872 except horizontal mount



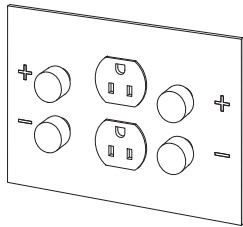
One positive and one negative DC binding post. One duplex AC receptacle, 15 amp, 125 volts.

Catalog Number: 9880

Vertical mount

Catalog Number: 9882

Same as 9880 except horizontal mount



Two positive and two negative DC binding posts. One duplex AC receptacle: 15 amp, 125 volts.

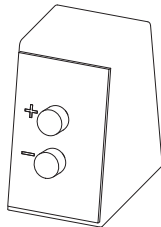
Catalog Number: 9888

Vertical mount

Catalog Number: 9890

Same as 9888 except horizontal mount

Pedestal



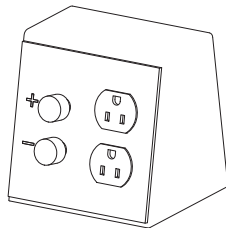
One positive and one negative DC binding post.

Catalog Number: 9876

Single faced

Catalog Number: 9878

Same as 9876 except double faced



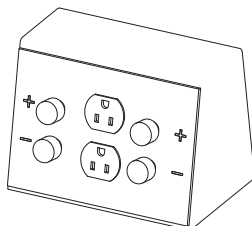
One positive and one negative DC binding post. One duplex AC receptacle, 15 amp, 125 volts.

Catalog Number: 9884

Single faced

Catalog Number: 9886

Same as 9884 except double faced



Two positive and two negative DC binding posts. One duplex AC receptacle: 15 amp, 125 volts.

Catalog Number: 9892

Single faced

Catalog Number: 9894

Same as 9892 except double faced

Power Supply Units

These power supply units provide low cost and safe variable AC and DC current from any standard 120 AC input. Each unit comes equipped with two, 3' long color coded leads, fitted with a stacking banana plug on one end and an alligator clip on the other. Units are electrically disconnected by a lock-type "ON-OFF" switch and have a pilot light to indicate availability of power. All variable output circuits protected by thermal magnetic circuit breakers.

Chart A

Chart B

Output	Cont. Ratings	Termination	Remarks
120 Vac	10A	Gnd-Type Receptacle	-
0-120 Vac	1.5A	Gnd-Type Receptacle	-
0-12 Vac	2A	5-way Binding Post	Isolated
0-12 Vdc	2A	5-way Binding Post	Isolated 1% RMS Ripple

Output	Cont. Ratings	Termination	Remarks
120 Vac	10.0A	Gnd-Type Receptacle	-
0-120 Vac	3.5A	Gnd-Type Receptacle	-
0-45 Vac	5.0A	5-way Binding Posts	Isolated
0-22 Vac	10.0A	5-way Binding Posts	Isolated
0-36 Vdc	5.0A	5-way Binding Posts	Isolated 1% RMS Ripple. Regulation 4 volts NL-FL
0-18 Vdc	10.0A	5-way Binding Posts	Isolated 2% RMS Ripple. Regulation 4 volts NL-FL

Flush Mounted Power Supply Unit



Unit has a 2' long power cord to plug into standard ground type table mounted outlet located within the table. Large gridded openings provide for continuous cooling. See Chart A.

Catalog Number: 9896

Dimensions of Components	Width	Height	Depth
Overall	8 3/4"	4"	7 1/2"

Portable Power Supply Unit



Unit has 5' long cord, rubber feet, and carrying handle. See Chart A.

Catalog Number: 9898

Dimensions of Components	Width	Height	Depth
Overall	7"	6"	6 1/4"

Flush Mounted Power Supply Unit



Unit has 2' long power cord to plug into standard grounding type table mounted outlet located within the table. Large gridded openings provide for continuous cooling. This unit equipped with a voltmeter. See Chart B.

Catalog Number: 9900

Dimensions of Components	Width	Height	Depth
Overall	13"	5 1/2"	8 1/2"
Cutout	12 1/2"	5 1/8"	-

Data Service Fittings



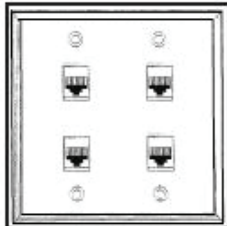
RJ-45 Jack, single receptacle. Single jack with 4 1/2" H x 2 3/4" W stainless steel wall plate.

Catalog Number: 8970



RJ-45 Jack, double receptacle. Double jacks with 4 1/2" H x 2 3/4" W stainless steel wall plate.

Catalog Number: 8972



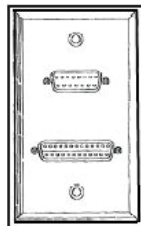
RJ-45 Jack, quad receptacle. Four jacks with 4 1/2" square stainless steel wall plate.

Catalog Number: 8974



Co axle plugs; with 4 1/2" H x 2 3/4" W stainless steel wall plate.

Catalog Number: 8976



Receptacle equipped to receive parallel serial cables; with 4 1/2" H x 2 3/4" W stainless steel wall plate.

Catalog Number: 8978

Raceway Service Systems

Raceway service systems combine electrical, data and communication lines into one unified system. Versatility and function in raceway systems designed to each projects unique requirements can accommodate from the very basic wiring needs to extremely complex telecommunication systems of today's broad based technology.

These systems are factory pre-cut and pre-wired to each unique project's specifications; thus saving on sit labor costs. Raceway is provided in a satin anodized neutral finish or can be powder coated at an additional cost.

ADA Compliant vs. ADA Accessible

A variety of basic casework cabinetry has been designed to complete the laboratory of classroom assembly requirements for the physically challenged. Casework units are 32 1/2" high over all and 22 1/2" deep. 1" thick top material must be specified.

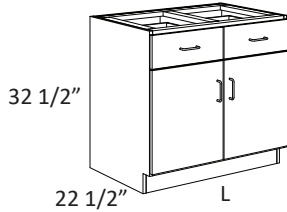
Numerous base cabinet design combinations meet the ADA's recommended dimensions. Work areas that meet the needs of the physically challenged are easily designed by including our casework assembly "Lab Work Station" or our "Kneespace Components".

However, and quite obviously, some casework unit designs are more ADA accessible than others. Base cabinets in 41 1/4", 58 1/4" or even 70 1/4" widths, are available in the 32 1/2" height; however, the designer must weigh the placement, both in the casework assembly and in the overall room layout, for these units to be truly usable by persons restricted to wheelchairs.

Campbell Rhea's Design Engineering and Drafting Departments are prepared to assist the coordination of functional preliminary designs that will meet ADA guidelines in your project. Contact your Campbell Rhea distributor for access to this design service.

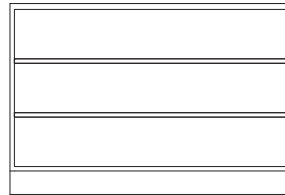
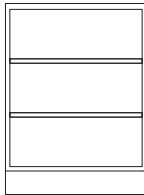
Casework in this specialized section has been designed to dimensionally meet ADA guidelines for accessibility; however, designers, architects and planners are advised to review and verify ADA requirements at the time of their project.

ADA Compliant - 32 1/2" High Wood Base Cabinets



- 32 1/2" High base cabinets are 22 1/2" Deep.
- Lengths are as shown.
- All door cabinets have 1 adjustable shelf
- Drawer height is denoted by "Drawer Mark" on cabinet. See table on pages 10-13 for reference. If the drawer height is a custom size, the dimension will be listed on the drawer.

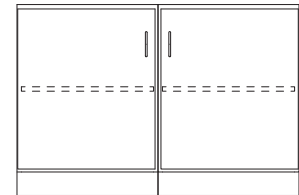
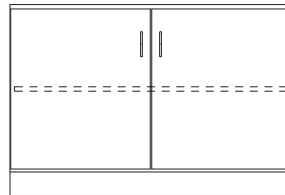
Open Cabinets



Cat. No.	Group A	Group B
3597	12 3/8"	12"
3598	15 5/16"	15"
3599	18"	18"
3600	21"	21"
3601	24"	24"

Cat. No.	Group A	Group B
3680A	27"	27"
3680B	30"	30"
3680G	33"	33"
3680C	35 1/4"	36"
3680J	39"	39"
3680D	41 1/4"	42"
3680K	45"	45"
3680E	47 1/4"	48"

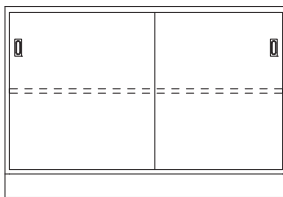
Door Cabinets



Cat. No.	Group A	Group B
3603	12 3/8"	12"
3604	15 5/16"	15"
3605	18"	18"
3606	21"	21"
3607	24"	24"

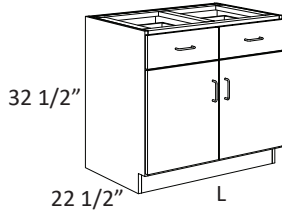
Cat. No.	Group A	Group B
3681A	24"	24"
3681B	27"	27"
3681C	30"	30"
3681G	33"	33"
3681D	35 1/4"	36"
3681J	39"	39"
3681E	41 1/4"	42"
3681K	45"	45"
3681F	47 1/4"	48"

Cat. No.	Group A	Group B
3682A	24"	24"
3682B	27"	27"
3682C	30"	30"
3682D	35 1/4"	36"
3682E	41 1/4"	42"
3682F	47 1/4"	48"



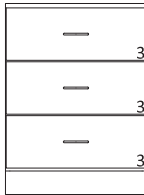
Cat. No.	Group A	Group B
3683C	30"	30"
3683D	35 1/4"	36"
3683E	41 1/4"	42"
3683F	47 1/4"	48"

ADA Compliant - 32 1/2" High Wood Base Cabinets

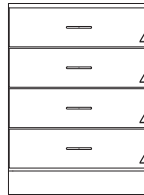


- 32 1/2" High base cabinets are 22 1/2" Deep.
- Lengths are as shown.
- All door cabinets have 1 adjustable shelf
- Drawer height is denoted by "Drawer Mark" on cabinet. See table on pages 10-13 for reference. If the drawer height is a custom size, the dimension will be listed on the drawer.

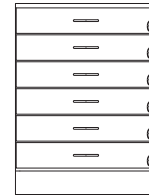
Drawer Cabinets



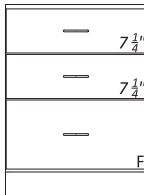
Cat. No.	Group A	Group B
3614	12 3/8"	12"
3615	15 5/16"	15"
3616	18"	18"
3617	21"	21"
3618	24"	24"



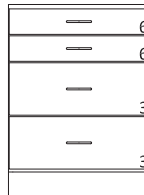
Cat. No.	Group A	Group B
3632	12 3/8"	12"
3633	15 5/16"	15"
3634	18"	18"
3635	21"	21"
3636	24"	24"



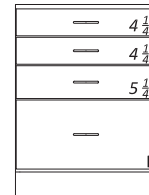
Cat. No.	Group A	Group B
3641	18"	18"
3642	21"	21"
3643	24"	24"



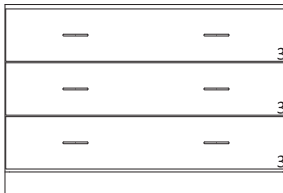
Cat. No.	Group A	Group B
3644	18"	18"
3645	21"	21"
3646	24"	24"



Cat. No.	Group A	Group B
3647	18"	18"
3648	21"	21"
3649	24"	24"



Cat. No.	Group A	Group B
3650	18"	18"
3651	21"	21"
3652	24"	24"



Cat. No.	Group A	Group B
3722A	24"	24"
3722B	27"	27"
3722C	30"	30"
3722G	33"	33"
3722D	35 1/4"	36"
3722J	39"	39"
3722E	41 1/4"	42"
3722K	45"	45"
3722F	47 1/4"	48"

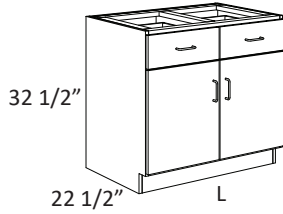


Cat. No.	Group A	Group B
3723A	24"	24"
3723B	27"	27"
3723C	30"	30"
3723G	33"	33"
3723D	35 1/4"	36"
3723J	39"	39"
3723E	41 1/4"	42"
3723K	45"	45"
3723F	47 1/4"	48"



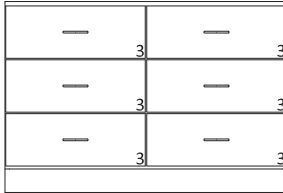
Cat. No.	Group A	Group B
3724A	24"	24"
3724B	27"	27"
3724C	30"	30"
3724D	35 1/4"	36"
3724E	41 1/4"	42"
3724F	47 1/4"	48"

ADA Compliant - 32 1/2" High Wood Base Cabinets

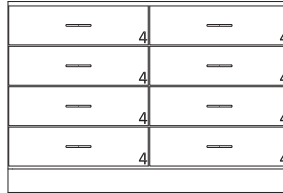


- 32 1/2" High base cabinets are 22 1/2" Deep.
- Lengths are as shown.
- All door cabinets have 1 adjustable shelf
- Drawer height is denoted by "Drawer Mark" on cabinet. See table on pages 10-13 for reference. If the drawer height is a custom size, the dimension will be listed on the drawer.

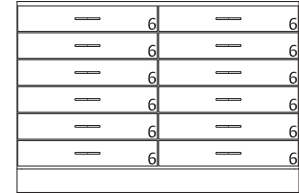
Drawer Cabinets



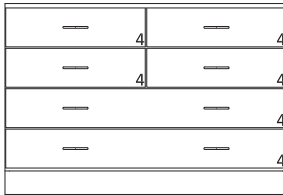
Cat. No.	Group A	Group B
3725A	24"	24"
3725B	27"	27"
3725C	30"	30"
3725D	35 1/4"	36"
3725E	41 1/4"	42"
3725F	47 1/4"	48"



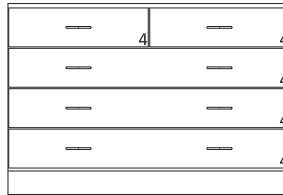
Cat. No.	Group A	Group B
3726A	24"	24"
3726B	27"	27"
3726C	30"	30"
3726D	35 1/4"	36"
3726E	41 1/4"	42"
3726F	47 1/4"	48"



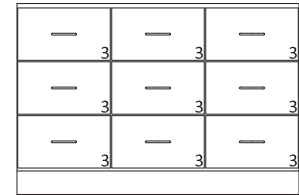
Cat. No.	Group A	Group B
3729A	24"	24"
3729B	27"	27"
3729C	30"	30"
3729D	35 1/4"	36"
3729E	41 1/4"	42"
3729F	47 1/4"	48"



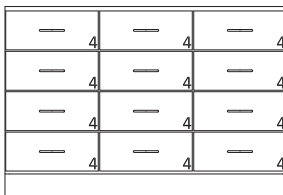
Cat. No.	Group A	Group B
3730A	24"	24"
3730B	27"	27"
3730C	30"	30"
3730D	35 1/4"	36"
3730E	41 1/4"	42"
3730F	47 1/4"	48"



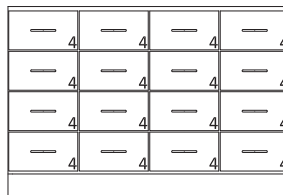
Cat. No.	Group A	Group B
3731A	24"	24"
3731B	27"	27"
3731C	30"	30"
3731D	35 1/4"	36"
3731E	41 1/4"	42"
3731F	47 1/4"	48"



Cat. No.	Group A	Group B
3735D	35 1/4"	36"
3735E	41 1/4"	42"
3735F	47 1/4"	48"

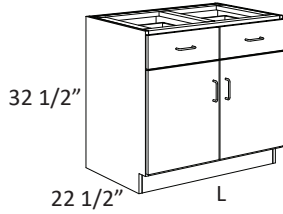


Cat. No.	Group A	Group B
3736D	35 1/4"	36"
3736E	41 1/4"	42"
3736F	47 1/4"	48"



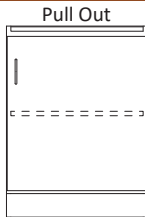
Cat. No.	Group A	Group B
3737F	47 1/4"	48"

ADA Compliant - 32 1/2" High Wood Base Cabinets

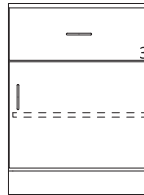


- 32 1/2" High base cabinets are 22 1/2" Deep.
- Lengths are as shown.
- All door cabinets have 1 adjustable shelf
- Drawer height is denoted by "Drawer Mark" on cabinet. See table on pages 10-13 for reference. If the drawer height is a custom size, the dimension will be listed on the drawer.

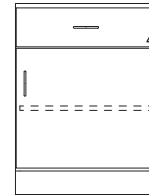
Combination Cabinets



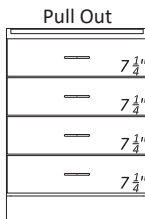
Cat. No.	Group A	Group B
3608	18"	18"
3609	21"	21"
3610	24"	24"



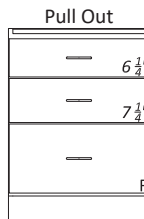
Cat. No.	Group A	Group B
3611	18"	18"
3612	21"	21"
3613	24"	24"



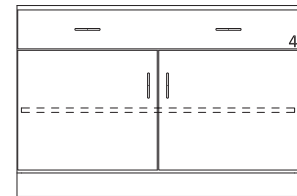
Cat. No.	Group A	Group B
3622	18"	18"
3623	21"	21"
3624	24"	24"



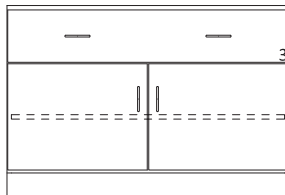
Cat. No.	Group A	Group B
3637	18"	18"
3638	21"	21"
3639	24"	24"



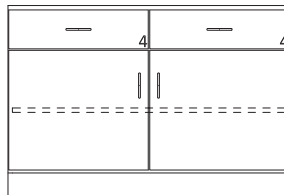
Cat. No.	Group A	Group B
3656	18"	18"
3657	21"	21"
3658	24"	24"



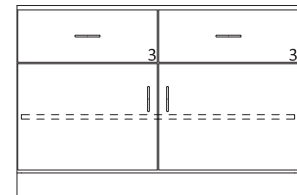
Cat. No.	Group A	Group B
3685A	24"	24"
3685B	27"	27"
3685C	30"	30"
3685G	33"	33"
3685D	35 1/4"	36"
3685J	39"	39"
3685E	41 1/4"	42"
3685K	45"	45"
3685F	47 1/4"	48"



Cat. No.	Group A	Group B
3686A	24"	24"
3686B	27"	27"
3686C	30"	30"
3686G	33"	33"
3686D	35 1/4"	36"
3686J	39"	39"
3686E	41 1/4"	42"
3686K	45"	45"
3686F	47 1/4"	48"

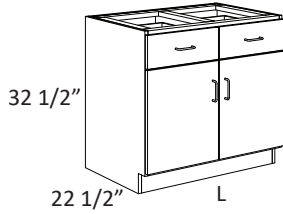


Cat. No.	Group A	Group B
3687A	24"	24"
3687B	27"	27"
3687C	30"	30"
3687G	33"	33"
3687D	35 1/4"	36"
3687J	39"	39"
3687E	41 1/4"	42"
3687K	45"	45"
3687F	47 1/4"	48"



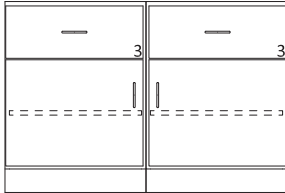
Cat. No.	Group A	Group B
3688A	24"	24"
3688B	27"	27"
3688C	30"	30"
3688G	33"	33"
3688D	35 1/4"	36"
3688J	39"	39"
3688E	41 1/4"	42"
3688K	45"	45"
3688F	47 1/4"	48"

ADA Compliant - 32 1/2" High Wood Base Cabinets

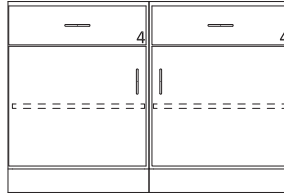


- 32 1/2" High base cabinets are 22 1/2" Deep.
- Lengths are as shown.
- All door cabinets have 1 adjustable shelf
- Drawer height is denoted by "Drawer Mark" on cabinet. See table on pages 10-13 for reference. If the drawer height is a custom size, the dimension will be listed on the drawer.

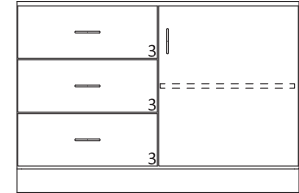
Combination Cabinets



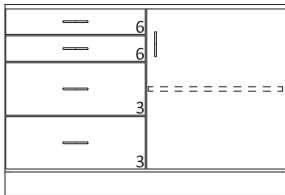
Cat. No.	Group A	Group B
3693A	24"	24"
3693B	27"	27"
3693C	30"	30"
3693D	35 1/4"	36"
3693E	41 1/4"	42"
3693F	47 1/4"	48"



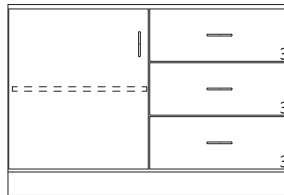
Cat. No.	Group A	Group B
3694A	24"	24"
3694B	27"	27"
3694C	30"	30"
3694D	35 1/4"	36"
3694E	41 1/4"	42"
3694F	47 1/4"	48"



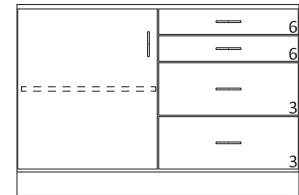
Cat. No.	Group A	Group B
3695A	24"	24"
3695B	27"	27"
3695C	30"	30"
3695G	33"	33"
3695D	35 1/4"	36"
3695J	39"	39"
3695E	41 1/4"	42"
3695K	45"	45"
3695F	47 1/4"	48"



Cat. No.	Group A	Group B
3696A	24"	24"
3696B	27"	27"
3696C	30"	30"
3696D	35 1/4"	36"
3696E	41 1/4"	42"
3696F	47 1/4"	48"

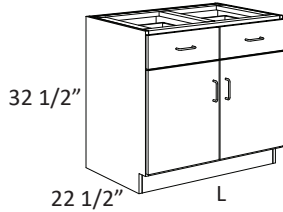


Cat. No.	Group A	Group B
3697A	24"	24"
3697B	27"	27"
3697C	30"	30"
3697G	33"	33"
3697D	35 1/4"	36"
3697J	39"	39"
3697E	41 1/4"	42"
3697K	45"	45"
3697F	47 1/4"	48"



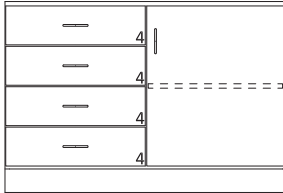
Cat. No.	Group A	Group B
3698A	24"	24"
3698B	27"	27"
3698C	30"	30"
3698D	35 1/4"	36"
3698E	41 1/4"	42"
3698F	47 1/4"	48"

ADA Compliant - 32 1/2" High Wood Base Cabinets

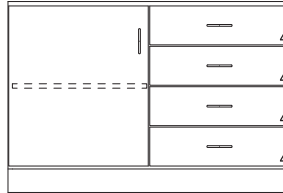


- 32 1/2" High base cabinets are 22 1/2" Deep.
- Lengths are as shown.
- All door cabinets have 1 adjustable shelf
- Drawer height is denoted by "Drawer Mark" on cabinet. See table on pages 10-13 for reference. If the drawer height is a custom size, the dimension will be listed on the drawer.

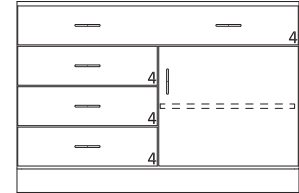
Combination Cabinets



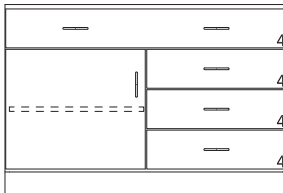
Cat. No.	Group A	Group B
3699A	24"	24"
3699B	27"	27"
3699C	30"	30"
3699G	33"	33"
3699D	35 1/4"	36"
3699J	39"	39"
3699E	41 1/4"	42"
3699K	45"	45"
3699F	47 1/4"	48"



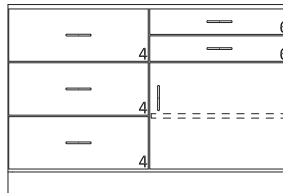
Cat. No.	Group A	Group B
3700A	24"	24"
3700B	27"	27"
3700C	30"	30"
3700G	33"	33"
3700D	35 1/4"	36"
3700J	39"	39"
3700E	41 1/4"	42"
3700K	45"	45"
3700F	47 1/4"	48"



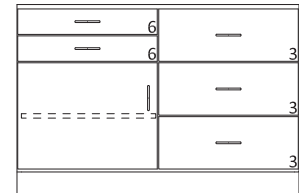
Cat. No.	Group A	Group B
3702A	24"	24"
3702B	27"	27"
3702C	30"	30"
3702G	33"	33"
3702D	35 1/4"	36"
3702J	39"	39"
3702E	41 1/4"	42"
3702K	45"	45"
3702F	47 1/4"	48"



Cat. No.	Group A	Group B
3703A	24"	24"
3703B	27"	27"
3703C	30"	30"
3703G	33"	33"
3703D	35 1/4"	36"
3703J	39"	39"
3703E	41 1/4"	42"
3703K	45"	45"
3703F	47 1/4"	48"

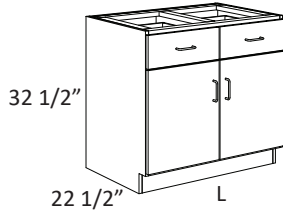


Cat. No.	Group A	Group B
3704A	24"	24"
3704B	27"	27"
3704C	30"	30"
3704D	35 1/4"	36"
3704E	41 1/4"	42"
3704F	47 1/4"	48"



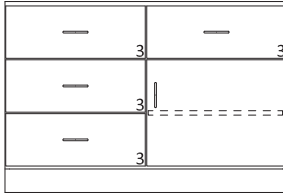
Cat. No.	Group A	Group B
3705A	24"	24"
3705B	27"	27"
3705C	30"	30"
3705D	35 1/4"	36"
3705E	41 1/4"	42"
3705F	47 1/4"	48"

ADA Compliant - 32 1/2" High Wood Base Cabinets

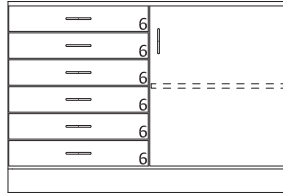


- 32 1/2" High base cabinets are 22 1/2" Deep.
- Lengths are as shown.
- All door cabinets have 1 adjustable shelf
- Drawer height is denoted by "Drawer Mark" on cabinet. See table on pages 10-13 for reference. If the drawer height is a custom size, the dimension will be listed on the drawer.

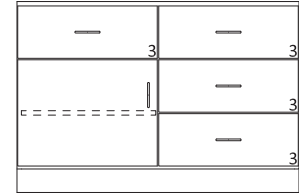
Combination Cabinets



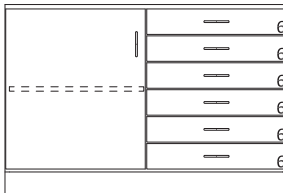
Cat. No.	Group A	Group B
3707A	24"	24"
3707B	27"	27"
3707C	30"	30"
3707G	33"	33"
3707D	35 1/4"	36"
3707J	39"	39"
3707E	41 1/4"	42"
3707K	45"	45"
3707F	47 1/4"	48"



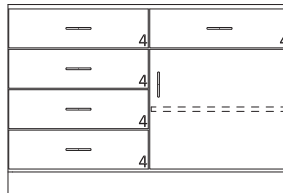
Cat. No.	Group A	Group B
3708A	24"	24"
3708B	27"	27"
3708C	30"	30"
3708D	35 1/4"	36"
3708E	41 1/4"	42"
3708F	47 1/4"	48"



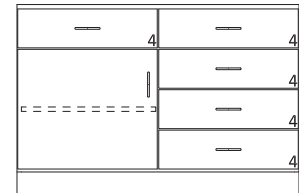
Cat. No.	Group A	Group B
3709A	24"	24"
3709B	27"	27"
3709C	30"	30"
3709G	33"	33"
3709D	35 1/4"	36"
3709J	39"	39"
3709E	41 1/4"	42"
3709K	45"	45"
3709F	47 1/4"	48"



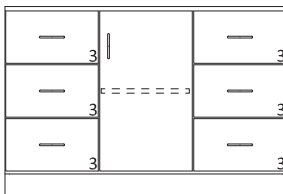
Cat. No.	Group A	Group B
3710A	24"	24"
3710B	27"	27"
3710C	30"	30"
3710D	35 1/4"	36"
3710E	41 1/4"	42"
3710F	47 1/4"	48"



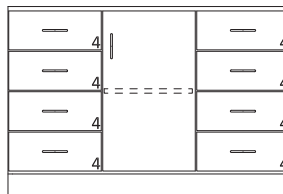
Cat. No.	Group A	Group B
3711A	24"	24"
3711B	27"	27"
3711C	30"	30"
3711G	33"	33"
3711D	35 1/4"	36"
3711J	39"	39"
3711E	41 1/4"	42"
3711K	45"	45"
3711F	47 1/4"	48"



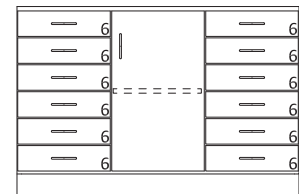
Cat. No.	Group A	Group B
3712A	24"	24"
3712B	27"	27"
3712C	30"	30"
3712G	33"	33"
3712D	35 1/4"	36"
3712J	39"	39"
3712E	41 1/4"	42"
3712K	45"	45"
3712F	47 1/4"	48"



Cat. No.	Group A	Group B
3713D	35 1/4"	36"
3713E	41 1/4"	42"
3713F	47 1/4"	48"

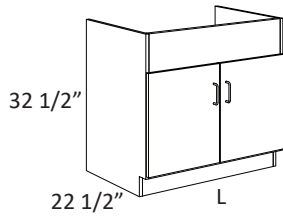


Cat. No.	Group A	Group B
3714D	35 1/4"	36"
3714E	41 1/4"	42"
3714F	47 1/4"	48"



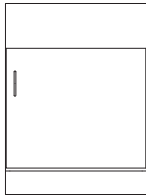
Cat. No.	Group A	Group B
3717D	35 1/4"	36"
3717E	41 1/4"	42"
3717F	47 1/4"	48"

ADA Compliant - 32 1/2" High Wood Base Cabinets

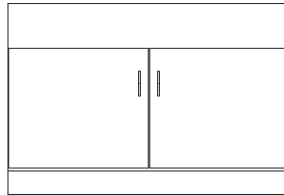


- 32 1/2" High base cabinets are 22 1/2" Deep.
- Lengths are as shown.
- All door cabinets have 1 adjustable shelf
- Drawer height is denoted by "Drawer Mark" on cabinet. See table on pages 10-13 for reference. If the drawer height is a custom size, the dimension will be listed on the drawer.

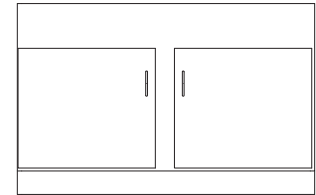
Sink Cabinets



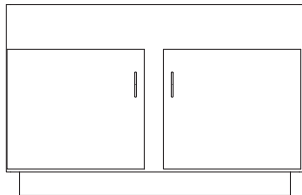
Cat. No.	Group A	Group B
3753A	12 3/8"	12"
3753B	15 5/16"	15"
3753C	18"	18"
3753D	21"	21"
3753E	24"	24"



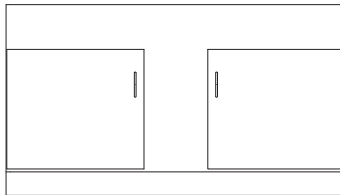
Cat. No.	Group A	Group B
3755A	24"	24"
3755B	27"	27"
3755C	30"	30"
3755G	33"	33"
3755D	35 1/4"	36"
3755J	39"	39"
3755E	41 1/4"	42"
3755K	45"	45"
3755F	47 1/4"	48"



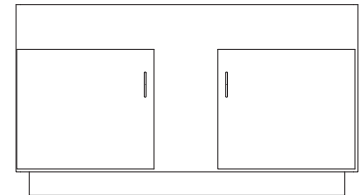
Cat. No.	Group A	Group B
3760	50 5/8"	50"



Cat. No.	Group A	Group B
3762	50 5/8"	50"

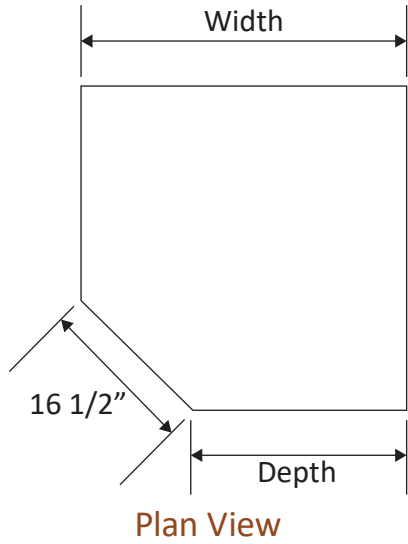


Cat. No.	Group A	Group B
3763	58 1/4"	58"

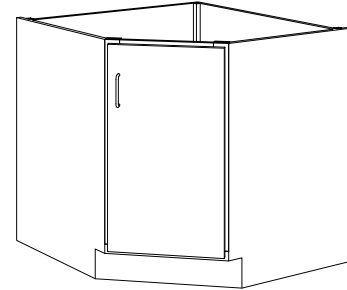


Cat. No.	Group A	Group B
3764	58 1/4"	58"

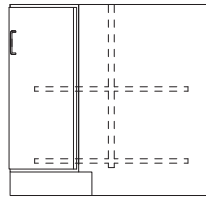
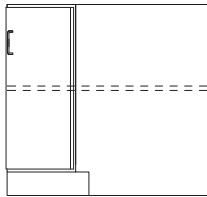
ADA Compliant - 32 1/2" High Wood Base Cabinets



- 32 1/2" High base cabinets are 22 1/2" Deep.
- Lengths are as shown.
- All door cabinets have 1 adjustable shelf
- Drawer height is denoted by "Drawer Mark" on cabinet. See table on pages 10-13 for reference. If the drawer height is a custom size, the dimension will be listed on the drawer.



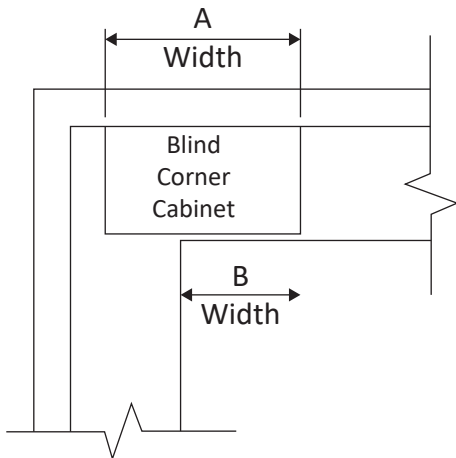
Corner Cabinet



Cat. No.	Same for Both Styles	
	Width	Depth
3794	34 1/4"	22 1/2"

Cat. No.	Same for Both Styles	
	Width	Depth
3796	34 1/4"	22 1/2"

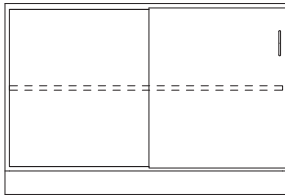
ADA Compliant - 32 1/2" High Wood Base Cabinets



- 32 1/2" High base cabinets are 22 1/2" Deep.
- Lengths are as shown.
- All door cabinets have 1 adjustable shelf
- Drawer height is denoted by "Drawer Mark" on cabinet. See table on pages 10-13 for reference. If the drawer height is a custom size, the dimension will be listed on the drawer.

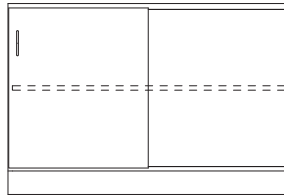
A	B
35 1/4"	18 1/2"
41 1/4"	21 1/2"
47 1/4"	24 1/2"

Blind Corner Cabinets



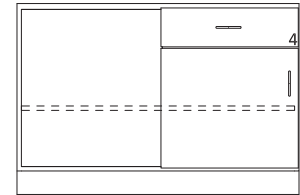
Cat. No. Group A Group B
with Finished Panels Enclosing the open shelf area

3778P	35 1/4"	
3779P	41 1/4"	
3780P	47 1/4"	



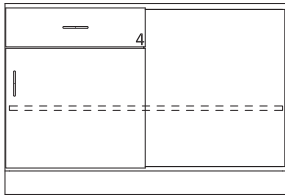
Cat. No. Group A Group B
with Finished Panels Enclosing the open shelf area

3781P	35 1/4"	
3782P	41 1/4"	
3783P	47 1/4"	



Cat. No. Group A Group B
with Finished Panels Enclosing the open shelf area

3784P	35 1/4"	
3785P	41 1/4"	
3786P	47 1/4"	



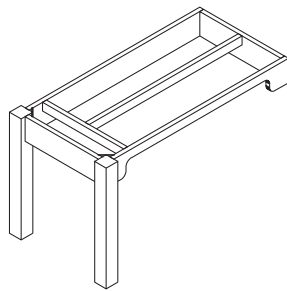
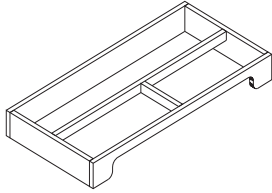
Cat. No. Group A Group B
with Finished Panels Enclosing the open shelf area

3787P	35 1/4"	
3788P	41 1/4"	
3789P	47 1/4"	

Wood ADA Compliant Furniture

Kneespace Components

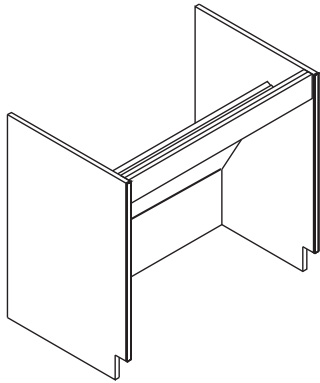
Kneespace components for ADA accessibility are designed for use in casework assemblies, or with legs to the left or right. Leg height of 32 1/2" must be specified. The 4 7/8" H x 3/4" solid lumber front rails are machined to allow appropriate clearance for use in ADA accessible areas. The ADA guidelines state that kneespace components allow a minimum of 30" of machined clearance area; therefore, components are available in 35 1/4", 41 1/4" or 47 1/4" widths.



Catalog Number	Width	Depth
7075A	30"	22"
7075B	35 1/4"	22"
7075C	41 1/4"	22"
7075D	47 1/4"	22"

Catalog Number			
Legs Left	Legs Right	Width	Depth
7076A	7077A	35 1/4"	22"
7076B	7077B	41 1/4"	22"
7076C	7077C	47 1/4"	22"

ADA Closure Panel Assembly



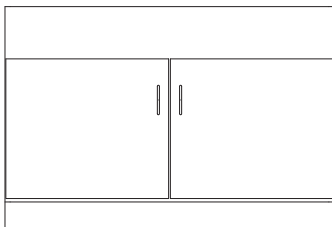
Closure panel assembly is designed to conceal plumbing, service piping and underneath area of installed sink, while providing for wheelchair access.

Note: Sink and waste are not included.

Catalog Number: 8760			
Dimensions of Components	Width (Specify)	Height	Depth
Overall	30" - 48"	32 1/2"	22 1/2"

Catalog Number: 8762			
Dimensions of Components	Width (Specify)	Height	Depth
Overall	48" - 60"	32 1/2"	22 1/2"

ADA Sink Cabinet with Integral Toe Kick



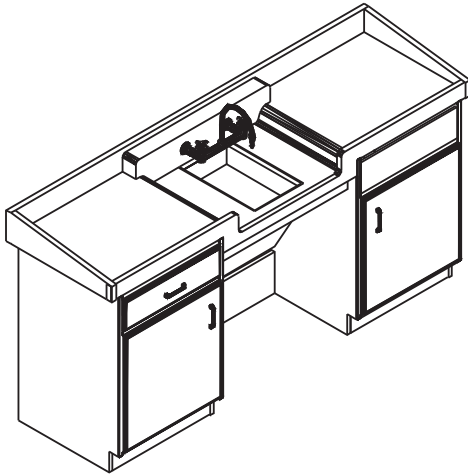
Sink cabinet with integral toe kick and no bottom.

Note: Sink and waste are not included.

Cat. No.	Group A	Group B
3755GAT	33"	33"
3755DAT	35 1/4"	36"
3755JAT	39"	39"
3755EAT	41 1/4"	42"
3755KAT	45"	45"
3755FAT	47 1/4"	48"

Wood ADA Compliant Furniture

ADA Accessible, Wash Up Sink & Counter

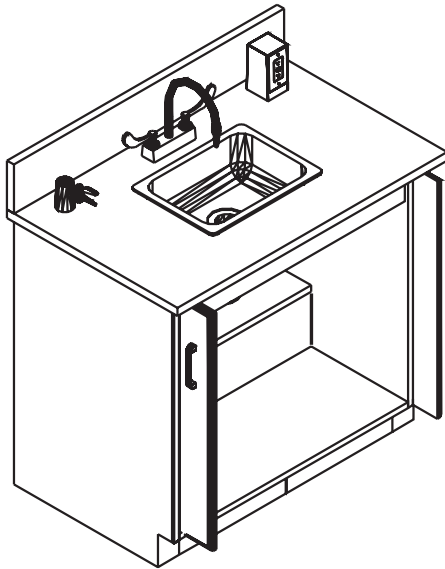


Assembly designed to include provisions for wheelchair space at sink and services. Rinse counter provides a long sloped counter, integral sink, continuous raise edges and coved corners to retain spilled materials and liquids. Top assembly epoxy or phenolic resin (specify). Sink assembly has bi-level work surfaces to accommodate recommended maximum 34" wheelchair height and 36" for stand up height. Stand up work surface slopes toward wheelchair work surface, which in turn slopes toward integral sink. Molded integral sink is sloped from front to back with overall depth not to exceed 6 1/2" deep. A molded integral ledge is located at rear of sink to accommodate services. Casework assembly consists of (1) 1278L cabinet and (1) 2338 sink cabinet (without sink hangers). A removable one piece closure panel conceals sink service piping. Unit has one hot and cold mixing faucet with wrist blade handles.

Catalog Number: 8815			
Dimensions of Components	Width	Height	Depth
Overall	80"	41"	24"
Countertop	-	33" & 36"	-
(2) Base Cabinets (O.D.)	24"	35"	22 1/2"
Kneespace (O.D.)	30"	-	-
(2) Cupboard (I.D.)	22 1/2"	29 1/4"	20 3/4"
(1) Drawers (I.D.)	20 1/2"	6"	17"

Wood ADA Compliant Furniture

ADA Accessible, Casework Lab Station



Equipment:

- (1) epoxy resin sink, 15" x 11" x 5 1/2" (O.D.)
- (1) hot and cold water gooseneck faucet with 4" wrist handles and aerator
- (1) single gas cock
- (1) duplex AC pedestal receptacle, GFCI type 20 amp
- (1) 1 1/2" epoxy resin sink outlet
- (1) #9632 "P" trap assembly
- 1" thick work surface with 1/4" thick, flush sink cover - to be specified

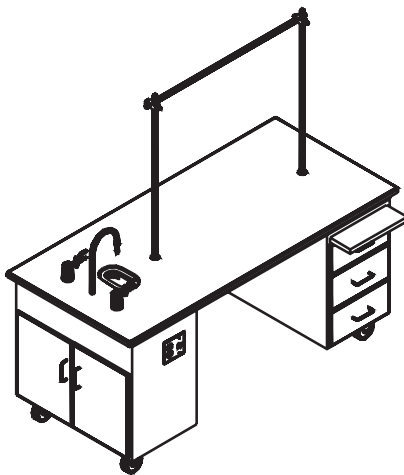
Sink cabinet is rigidly constructed with a full horizontal top frame, top vertical rails at front and rear, and a vertical rear panel at bottom for additional rigidity. Double-walled end panels provide space for retraction of pocket doors. Door pulls are AL -2 style, a 3/8" round aluminum wire type, 4 3/8" long for ample finger hold. Doors do not extend more than 1" past front edge of counter top when in full retracted position. Toe rails fold back, and cupboard bottom hinges up and locks in place to cover sink, trap and piping. In up, locked position, this provides approved clearance space for wheelchair access. Interior side panels are removable for access to door hardware. All interior panels are oak plywood finished to match exterior casework. Doors can not have locks.

Catalog Number: 8774

Dimensions of Components	Width	Height	Depth
Overall	36 3/4"	32 1/2"	24"

Catalog Number: 8778

Same as 8774 except 41 1/4" wide



Equipment:

- (1) cold water fixture with electric pump and (2) 3-way switches
- (1) each, 2 1/2 gallon polyethylene carboy for supply and waste
- (1) epoxy resin cup sink, 3" x 6" diameter
- (1) gas cock and (1) air cock with 10' supply hose
- (4) 5" diameter casters: (2) rigid, (2) swivel with locks
- (1) aluminum crossbar assembly with (2) rod sockets
- (1) 25' electric supply cord, 16-3SJ with plug (NEMA S-15P), one automatic rewind reel
- 1" thick work surface - specify material

Carboys, electric pump and cord with its rewind wheel are housed in the two door cupboard on one end of unit. The other end unit has two drawers with a pullout board on one side, and three drawers with a pullout writing board on the opposite side. Unit is equipped with (3) duplex, 15 amp, 120 volt AC receptacles; (1) is GFCI type for complete circuit protection. Support frame for top is 1" x 2 1/2" steel tubing, with black acid resistant finish.

Catalog Number: 6007

Dimensions of Components	Width	Height	Depth
Overall	65 3/4"	32"	30"
Wheelchair Access	32"	30"	30"

Barrier-Free Emergency Shower & Eyewash



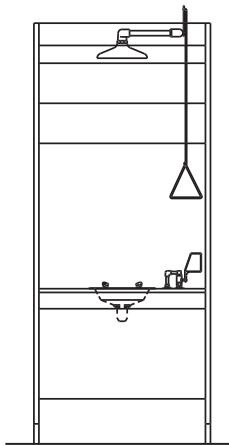
10" diameter orange ABS plastic shower head extends 32" from support pipe, allowing wheel chair maneuverability. A full flow, stay-open valve is operated by the pull rod and handle. Shower operates until handle is pushed up to close valve. Pull rod has been lengthened to 38" for accessibility.

The eye and face wash unit has a 12" stainless steel bowl and four gentle spray outlet heads, each with a self-regulating volume control, removable spray cover, and a reticulated polyurethane filter to remove particles from the water. The frame assembly is extended 25" from the support pipe and lowered to 31" high to be accessible from a wheel chair. The full flow stay-open ball valve is operated by a die cast aluminum flat/paddle handle, 26 1/2" from the floor. Eye/face wash operates until the valve is manually closed. Unit is furnished with a 9" diameter aluminum floor flange and intermediate galvanized pipe and fittings. Both inlet and outlet are 1 1/4" IPS female.

Catalog Number: 9617

Dimensions of Components	Height
Overall	84"

Barrier-Free Safety Center



Lower section is designed to provide access for a wheelchair to the eyewash fountain, and specially designed offset shower head with extended pull rod. Closure panels conceal service piping. Upper section with two fixed shelves provides storage space for sand bucket, blankets, fire extinguisher, first-aid kit and other emergency supplies (not included).

Equipment:

- (1) stainless steel surface mounted eyewash fountain
- (1) emergency shower head with pull chair
- Deck top is 3/4" white laminated plastic

Catalog Number: 6774A

Dimensions of Components	Width	Height	Depth
Overall	35 1/4"	84"	22 1/2"

ADA Accessible Recessed Eye Wash with Drain Pan

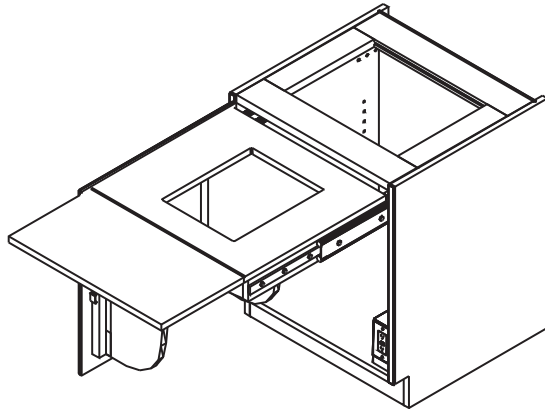


Handicapped accessible wall mounted eye/face wash with stainless steel cover and drain pan. Opening cover pulls outlet head assembly down from vertical to horizontal position and activates water flow. Horizontal grab bar is easily grasped and pulled in an emergency. While unit is in operation, waste water is collected by drain pan and returned into unit for drainage. Unit remains in operation until cover is returned to a closed position. Spray head assembly has two spray heads mounted on supply arms. Each spray head has internal flow control and filter to remove impurities from water. Valve: 1/2" IPS brass stay-open ball valve. 1/2" IPS female inlet. Waste 1 1/2" O.D. chrome plated brass

Catalog Number: 9622

Wood Life Skills Furniture

Home Economics - Sewing Machine Cabinet

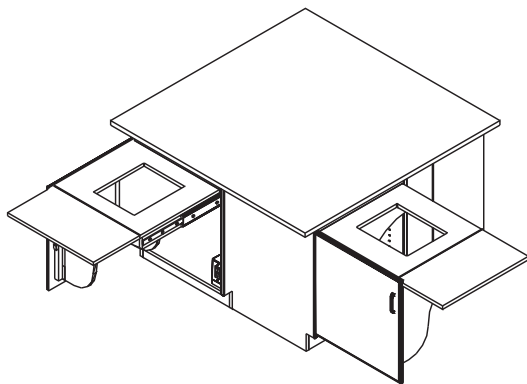


This rigidly constructed cabinet is provided with a pullout platform designed to accommodate free arm or other surface mounted machines. The platform is supported on extra heavy duty, full extension, ball bearing, metal slides. The vertical lift mechanism has an adjustable, counterbalancing torsion spring hat allows the machined to be raised, lowered and stored in the upright position. Positive adjustable stops are provided so that the machine may be elevated to the desired height. The top of the platform and the 12" drop leaf are 3/4" thick with black, 3mm PVC molding on edges on plastic laminated work surfaces. Cabinet is provided with one duplex AC electric receptacle.

Catalog Number: 7230

Dimensions of Components	Width	Height	Depth
Base Cabinet	24"	29"	24"
Pull Out Platform	21 1/2"	-	20 1/2"
Drop Leaf	21 1/2"	-	12"

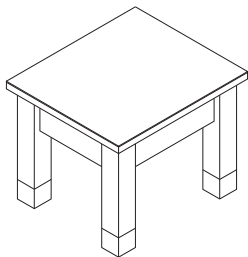
Unit consists of (4) #7230 sewing machine cabinets under one large table top. Top is 1" thick Rheatex.



Catalog Number: 7240

Dimensions of Components	Width	Height	Depth
Overall	52 1/4"	30"	52 1/4"

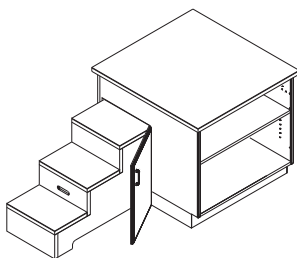
Home Economics - Fitting Stand



Equipped with black rubber tread on top surface. Legs and rails are solid oak lumber. Leg shoes are included.

Catalog Number: 7208

Dimensions of Components	Width	Height	Depth
Overall	18"	18"	14"

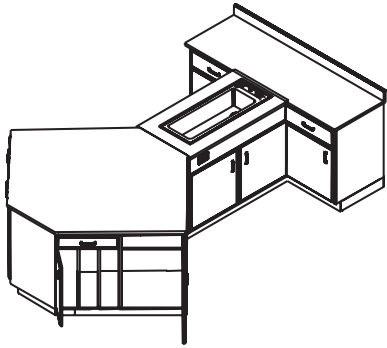


Equipped with retractable steps; one adjustable shelf in open cabinet section; steps and top are covered with black rubber tread.

Catalog Number: 7210

Dimensions of Components	Width	Height	Depth
Overall	36"	36"	30"

Home Economics - Food Preparation Perimeter Table



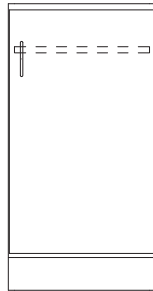
Equipment:

- (1) stainless steel sink, 16" x 11 1/2" (I.D.) with strainer
- (1) mixing faucet
- (2) duplex AC receptacles
- (2) adjustable shelves
- (2) #4000 mixer cabinets
- (2) #4014 tray storage cabinets under student section

Catalog Number: 6215

Dimensions of Components	Width	Height	Depth
Overall	107"	36"	83"
Wall Section	75"	36"	24"
Neck	30"	36"	30"
Student Section	53"	36"	83"

Home Economics - Mixer Cabinet



Equipment:

- (1) pull out hide-a-shelf, which locks firmly at counter height

Catalog Number: 4000

Dimensions of Components	Width	Height	Depth
Overall	18"	35"	22 1/2"

Home Economics - Towel Storage



Equipment:

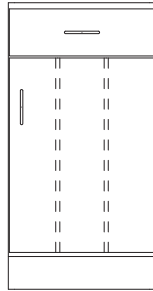
- (1) Chrome three prong towel bar

Catalog Number: 4010

Dimensions of Components	Width	Height	Depth
Overall	12 3/8"	35"	22 1/2"

Wood Life Skills Furniture

Home Economics - Tray Storage



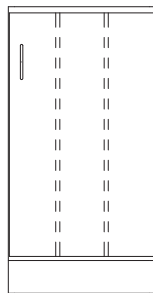
Equipment:

- (2) plywood dividers to provide storage for serving trays or cookie sheets

Catalog Number: 4012			
Dimensions of Components	Width	Height	Depth
Overall	12 3/8"	35"	22 1/2"

Catalog Number: 4014			
Same as 4012 except 15 5/16" wide			

Catalog Number: 4016			
Same as 4012 except 18" wide			



Equipment:

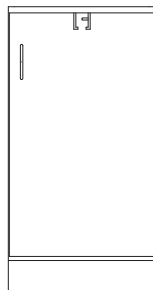
- (2) plywood dividers to provide storage for serving trays or cookie sheets

Catalog Number: 4022			
Dimensions of Components	Width	Height	Depth
Overall	12 3/8"	35"	22 1/2"

Catalog Number: 4024			
Same as 4022 except 15 5/16" wide			

Catalog Number: 4026			
Same as 4022 except 18" wide			

Home Economics - Pot & Pan Storage

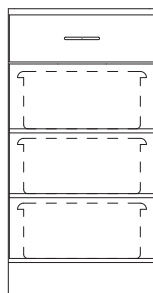


Equipment:

- (1) double-row pot and pan rack with 14 hooks
- Provides storage for any utensil with a handle

Catalog Number: 4032			
Dimensions of Components	Width	Height	Depth
Overall	18"	35"	22 1/2"

Home Economics - Vegetable Storage



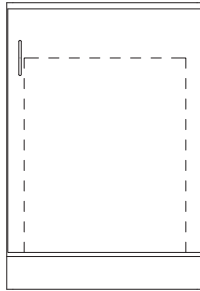
Equipment:

- (3) plastic vegetable trays
- Provides storage for dry vegetables

Catalog Number: 4034			
Dimensions of Components	Width	Height	Depth
Overall	12 3/8"	35"	22 1/2"

Catalog Number: 4036			
Same as 4034 except 18" wide			

Home Economics - Laundry Hamper Unit



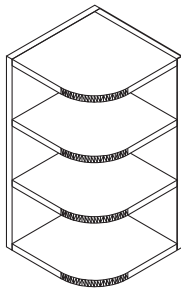
Equipment:

- (1) removable hamper for soiled aprons and towels

Catalog Number: 4048

Dimensions of Components	Width	Height	Depth
Overall	24"	35"	22 1/2"

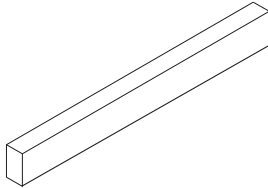
Home Economics - Quarter Round Shelf



Intended for use on wall case ends

Catalog Number	Width	Height	Type
7150	12"	31 1/4"	Right
7152	12"	31 1/4"	Left
7154	16"	31 1/4"	Right
7156	16"	31 1/4"	Left

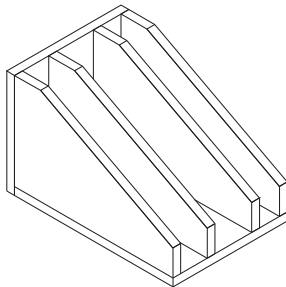
Home Economics - Straight Edge Valance



Constructed from 13/16" solid hardwood for use over sinks, ranges and refrigerators; 6" W - specify length.

Catalog Number: 7354

Home Economics - Tray and Pan Rack

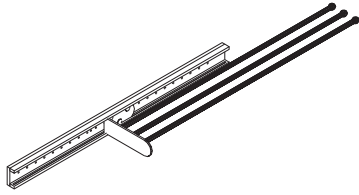


Constructed of 3/4" hardwood plywood. Joints are mortised tenoned, glued and screwed. (3) storage slots are each approximately 2 1/2" wide.

Catalog Number: 7340

Wood Life Skills Furniture

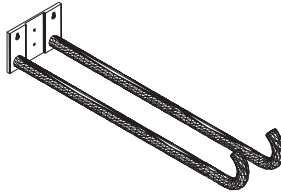
Home Economics - Towel Bar



Three prongs, pull out type.

Catalog Number: 7348

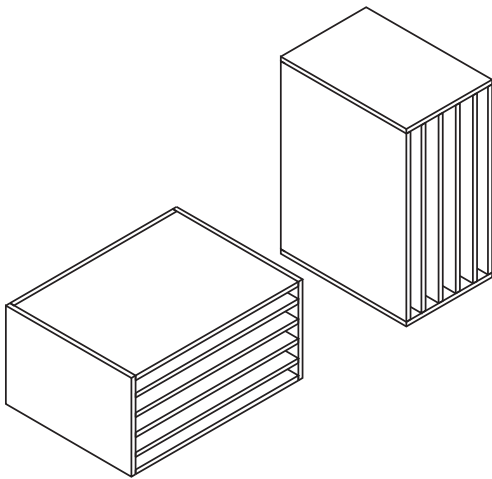
Home Economics - Utility Hook



Double prong hooks provide storage for mops, brooms, etc.

Catalog Number: 7350

Home Economics - Stackable Storage



Equipped with (5) compartments. Designed to accommodate materials up to 40" x 30". Can be 'stacked' horizontally or vertically to create a single storage unit or full wall of storage.

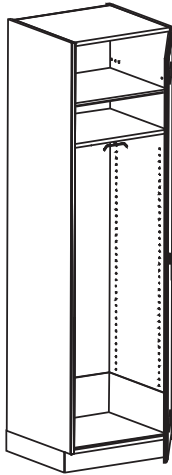
Catalog Number: 7377

Dimensions of Components	Width	Height	Depth
Overall	42 1/8"	21 1/16"	31"

Optional base/toe space unit for stackables. 3/4" x 4" hardwood plywood sized to form a 2 1/4" deep toe space. Specify length desired based on arrangement of stackables. (not shown)

Catalog Number: 7378

Cleaning Utensil Storage

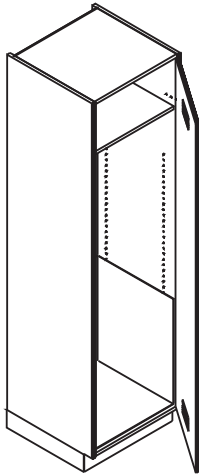


Equipment:

- (2) fixed shelves
- (4) hanger hooks
- 8" high white plastic laminate lining in bottom
- Vented door with 3-point latching system

Catalog Number: 7170

Dimensions of Components	Width	Height	Depth
Overall	24"	84"	22 1/2"

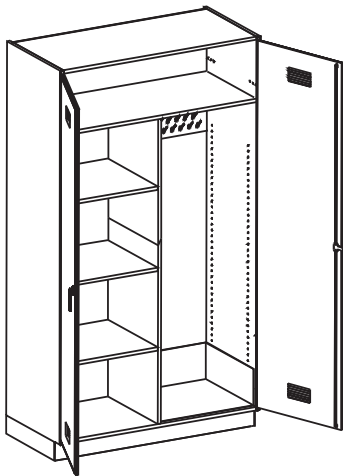


Equipment:

- 12" pegboard under fixed shelf
- 24" high white plastic laminate lining at bottom for protection from refuse container
- Vented door with 3-point latching system

Catalog Number: 7172

Dimensions of Components	Width	Height	Depth
Overall	24"	84"	22 1/2"



Equipment:

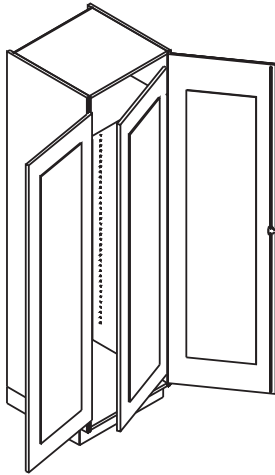
- (1) fixed shelf at top
- (3) adjustable shelves on left
- Tall storage on right provided with 12" pegboard at top
- 8" plastic laminate liner at bottom
- Vented doors with 3-point latching system

Catalog Number: 7192

Dimensions of Components	Width	Height	Depth
Overall	47 1/4"	84"	22 1/2"

Wood Life Skills Furniture

Triple Mirror Wardrobe

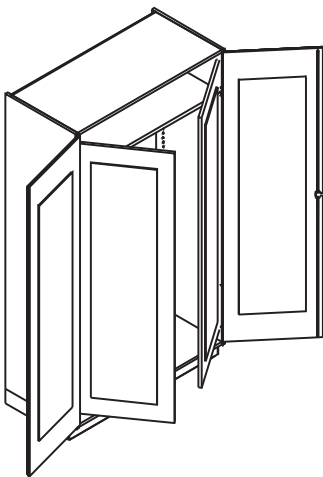


Equipment:

- (3) doors, each with a mirror
- (1) fixed hat shelf and hanger rod in space behind doors
- 3-point latching system

Catalog Number: 7176			
Dimensions of Components	Width	Height	Depth
Overall	24"	84"	22 1/2"

Four Mirror Wardrobe

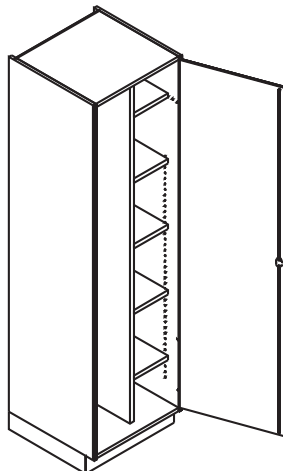


Equipment:

- (4) door, each with a mirror
- (1) fixed hat shelf and hanger rod provides wardrobe space behind the doors
- Doors have 3-point latching system

Catalog Number: 7196			
Dimensions of Components	Width	Height	Depth
Overall	47 1/4"	84"	22 1/2"

Ironing Board Storage

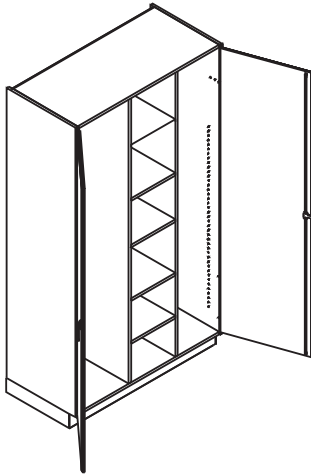


Equipment:

- (5) adjustable phenolic resin shelves for iron storage
- Space on opposite side for board storage
- 3-point latching system

Catalog Number: 7174			
Dimensions of Components	Width	Height	Depth
Overall	24"	84"	22 1/2"

Ironing Board Storage



Equipment:

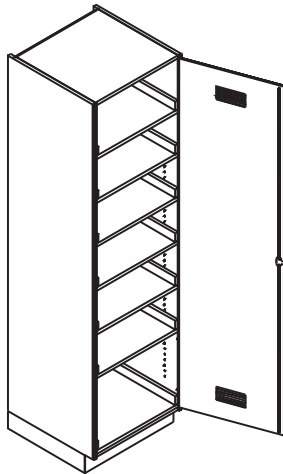
- (5) adjustable phenolic resin shelves for iron storage
- Space on each side for board storage
- Door has 3-point latching system

Catalog Number: 7194			
Dimensions of Components	Width	Height	Depth
Overall	47 1/4"	84"	22 1/2"

Catalog Number: 7194A

Same as 7194 except unit has (3) adjustable shelves in each of the (3) tiers. Shelves are 14 3/4" W x 19" D

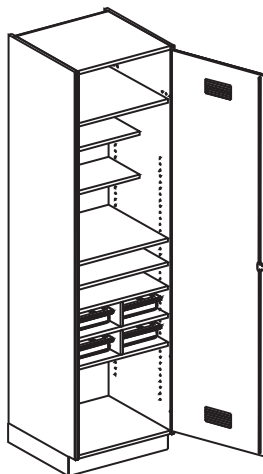
Food Staples Storage



Equipment:

- (7) pull out trays
- Vented door with 3-point latching system

Catalog Number: 7189			
Dimensions of Components	Width	Height	Depth
Overall	24"	84"	22 1/2"



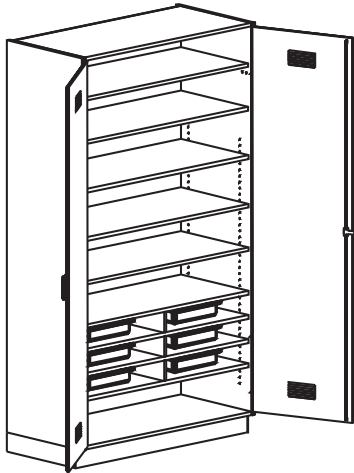
Equipment:

- (1) full depth, fixed shelf at top
- (2) half depth fixed shelves
- (1) full depth fixed shelf with (4) compartments for (4) #6344 plastic tote trays
- Open compartment at bottom
- Vented door with 3-point latching system

Catalog Number: 7190			
Dimensions of Components	Width	Height	Depth
Overall	24"	84"	22 1/2"

Wood Life Skills Furniture

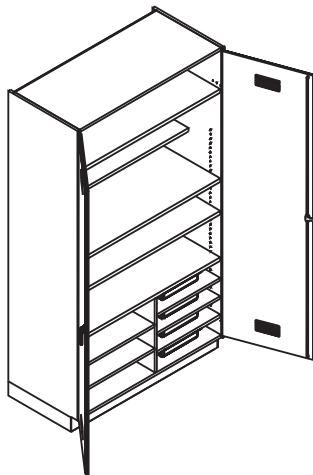
Food Staples Storage



Equipment:

- (5) adjustable shelves
- (6) compartments for #6346 plastic tote trays
- Vented doors with 3-point latching system

Catalog Number: 7191			
Dimensions of Components	Width	Height	Depth
Overall	35 1/4"	84"	22 1/2"

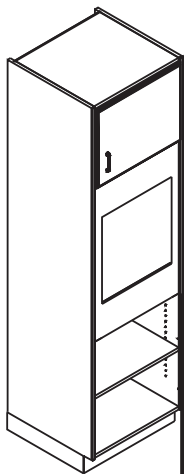


Equipment:

- (1) full depth fixed shelf at top
- (1) fixed shelf above (4) vegetable trays on right
- (2) adjustable shelves on left
- (2) partial depth fixed shelves and (2) full depth adjustable shelves
- Vented doors with 3-point latching system

Catalog Number: 7198			
Dimensions of Components	Width	Height	Depth
Overall	47 1/4"	84"	22 1/2"

Oven Case



Equipment:

- Cupboards above and below oven opening
- (1) adjustable shelf in lower cupboard
- Opening is designed to be cut-in-field for proper fit of brand and model of oven selected

Catalog Number: 7180			
Dimensions of Components	Width	Height	Depth
Overall	24"	84"	24"

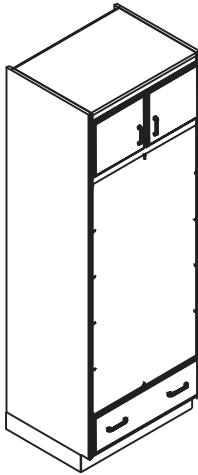
Catalog Number: 7182

Same as 7180 except 27" wide and each cupboard has double doors

Catalog Number: 7184

Same as 7180 except 35 1/4" wide and each cupboard has double doors

Oven Case for Two Ovens



Equipment:

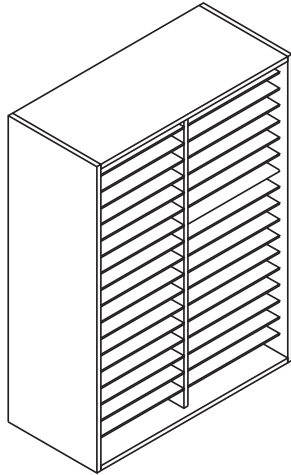
- Double door cupboard at top and drawer storage below
- 3/4" plywood panel to accommodate (2) built-in ovens
- Openings are cut at the job site to fit the brand and model of units selected
- Maximum cutout opening is 24" W x 21" H for each oven
- Behind the plywood cutout panel, oak rails are provided for mounting the oven inserts

Catalog Number: 7185

Dimensions of Components	Width	Height	Depth
Overall	30"	84"	24"
Cupboard (I.D.)	28 1/2"	14 1/4"	22 1/4"
Drawer (I.D.)	26 1/2"	8 1/2"	17"

Wood Life Skills Furniture

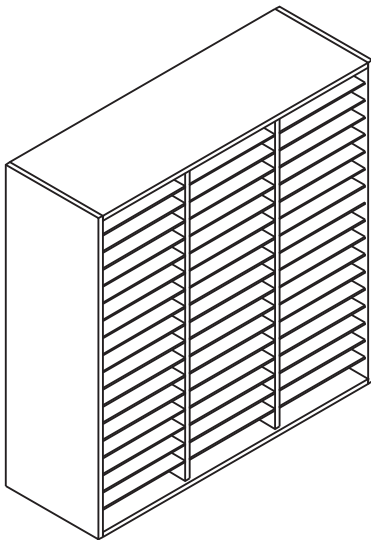
Hutch Folio Storage



Capacity: 36 compartments

Catalog Number: 7840			
Dimensions of Components	Width	Height	Depth
Overall	35 1/4"	48"	16"

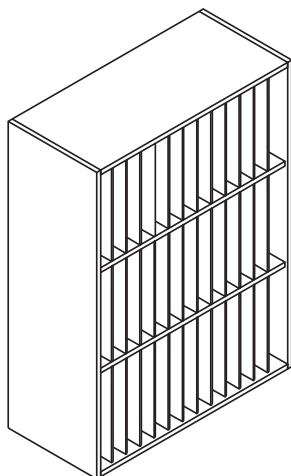
Catalog Number: 7842
Same as 7840 except with wood hinged doors



Capacity: 54 compartments

Catalog Number: 7844			
Dimensions of Components	Width	Height	Depth
Overall	47 1/4"	48"	16"

Catalog Number: 7846
Same as 7844 except with wood hinged doors

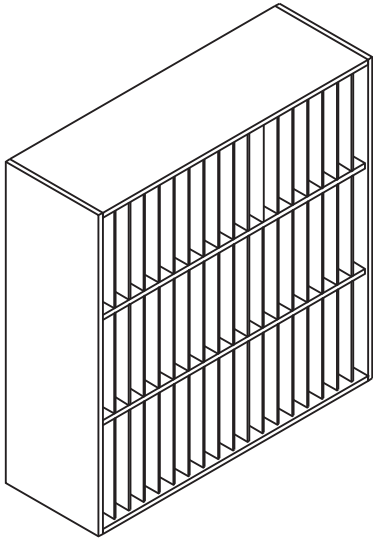


Capacity: 39 compartments

Catalog Number: 7848			
Dimensions of Components	Width	Height	Depth
Overall	35 1/4"	48"	16"

Catalog Number: 7850
Same as 7848 except with wood hinged doors

Hutch Folio Storage

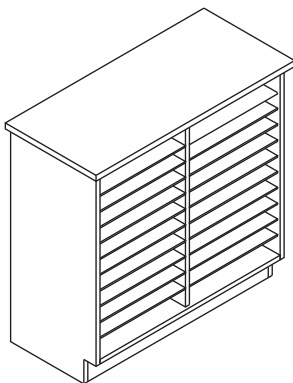


Capacity: 54 compartments

Catalog Number: 7852			
Dimensions of Components	Width	Height	Depth
Overall	47 1/4"	48"	16"

Catalog Number: 7854			
Same as 7852 except with wood hinged doors			

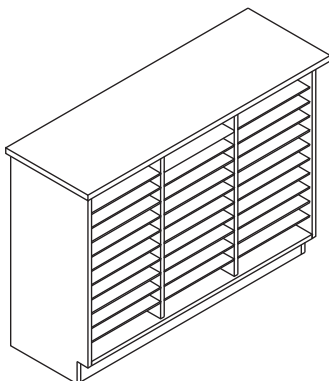
Base Folio Storage



Capacity: 22 compartments

Catalog Number: 7860			
Dimensions of Components	Width	Height	Depth
Overall	35 1/4"	35"	16"

Catalog Number: 7862			
Same as 7860 except with wood hinged doors			



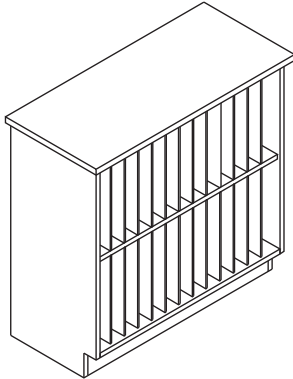
Capacity: 33 compartments

Catalog Number: 7864			
Dimensions of Components	Width	Height	Depth
Overall	47 1/4"	35"	16"

Catalog Number: 7866			
Same as 7864 except with wood hinged doors			

Wood Life Skills Furniture

Base Folio Storage

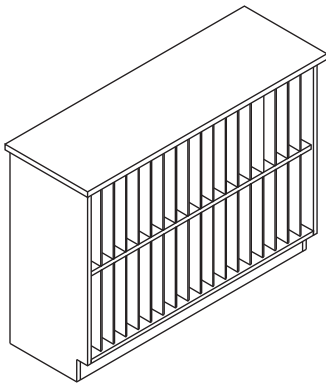


Capacity: 22 compartments

Catalog Number: 7868			
Dimensions of Components	Width	Height	Depth
Overall	35 1/4"	35"	16"

Catalog Number: 7870

Same as 7868 except with wood hinged doors



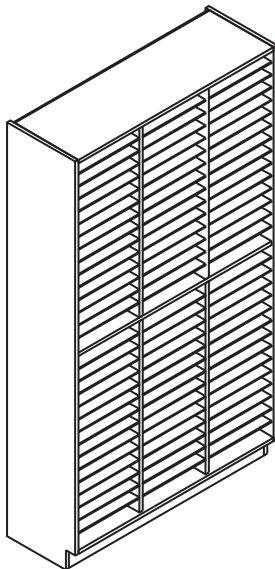
Capacity: 36 compartments

Catalog Number: 7872			
Dimensions of Components	Width	Height	Depth
Overall	47 1/4"	35"	16"

Catalog Number: 7874

Same as 7872 except with wood hinged doors

Tall Folio Storage



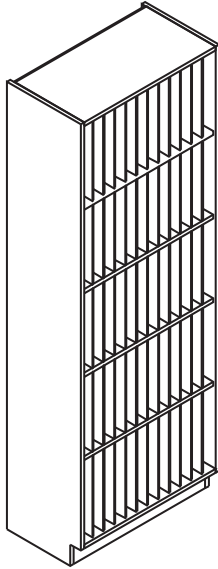
Capacity: 90 compartments

Catalog Number: 7884			
Dimensions of Components	Width	Height	Depth
Overall	47 1/4"	84"	16"

Catalog Number: 7886

Same as 7884 except with wood hinged doors

Tall Folio Storage

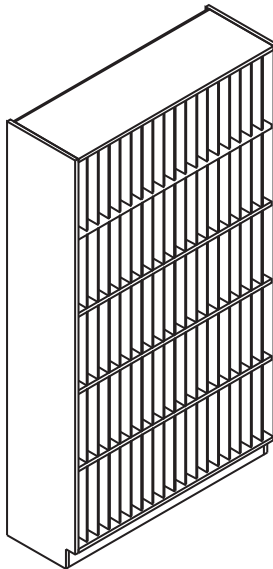


Capacity: 60 compartments

Catalog Number: 7888			
Dimensions of Components	Width	Height	Depth
Overall	30"	84"	16"

Catalog Number: 7890

Same as 7888 except with wood hinged doors



Capacity: 90 compartments

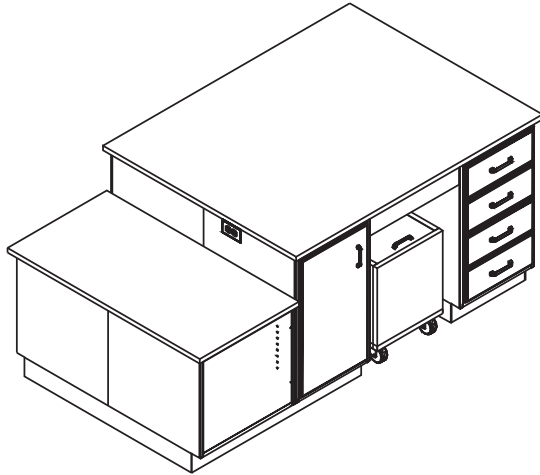
Catalog Number: 7892			
Dimensions of Components	Width	Height	Depth
Overall	47 1/4"	84"	16"

Catalog Number: 7894

Same as 7892 except with wood hinged doors



Ceramics Island



Assembly provides cupboard and drawer storage spaces and bases for potters wheel

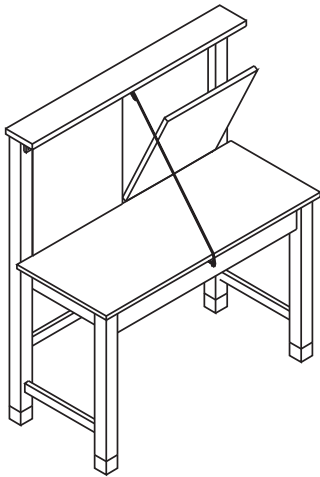
Equipment:

- (2) 24" W x 25" H open base units for potters wheel
- (2) 18" W x 35" H base cupboards, each with (1) adjustable shelf
- (2) 18" W x 35" H base cabinets, each with (4) drawers
- (2) 22" W apron rails
- (1) AC duplex receptacle
- (2) #7262 clay bins
- Work surface is 1" thick Rheatex

Catalog Number: 7250

Dimensions of Components	Width	Height	Depth
Overall	84"	36"	48"
Upper Section	60"	36"	48"
Lower Section	25"	26"	48"

Two Student Wedging Station



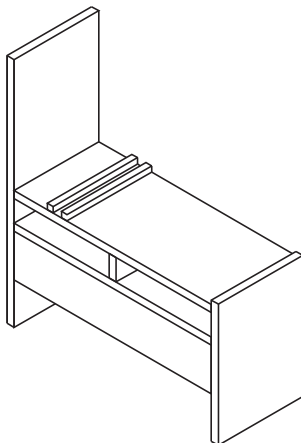
Equipment:

- Unit has solid oak through bolted frame
- Stainless steel wire for cutting clay
- Work surface is 1 1/4" Rhearesin
- Hinged, drop down secondary tops are of 1 1/4" Rheatex
- Shelf across top edge of back is 1 1/4" Rheatex

Catalog Number: 7251

Dimensions of Components	Width	Height	Depth
Overall	48"	36 1/4"	25 5/16"
Shelf	48"	-	7"
Back	-	64 3/4"	-

Art Horse



Equipment:

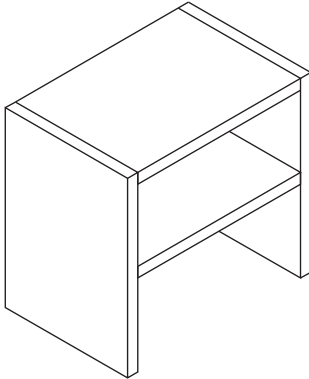
- (2) cleats for holding paintings
- Storage shelf below
- (4) plastic glides

Catalog Number: 7264

Dimensions of Components	Width	Height	Depth
Overall	30"	12"	33"

Wood Art & Craft Furniture

Art Bench



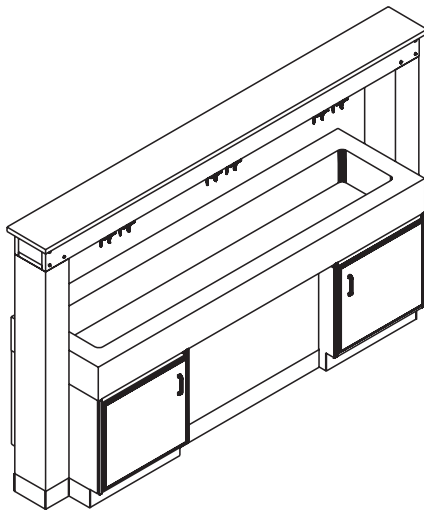
Equipment:

- Storage shelf below
- (4) adjustable plastic glides

Catalog Number: 7266

Dimensions of Components	Width	Height	Depth
Overall	17"	12"	17"

Island Sink Assembly



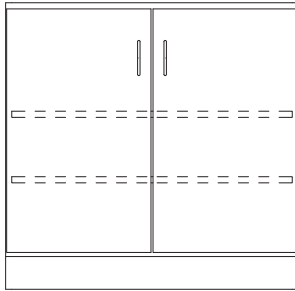
Equipment:

- Oak pipe support rack has Rheutex shelf and (6) #9426 cold water faucets
- Base unit has (2) removable wood access panels
- Stainless steel sink has bottom that slopes to drain and is 16 gauge type 304 stainless steel with stainless steel outlet and basket strainer and tailpiece
- Exposed surfaces are polished to #4 finish

Catalog Number: 7290

Dimensions of Components	Width	Height	Depth
Overall	74"	36 1/4"	24"
(2) Base Cabinet (O.D.)	18"	25"	22 1/2"
Pipe Support Rack	89"	54"	8"
Stainless Sink (O.D.)	75"	-	24"
Sink Depth: 7 1/2"			

Damp Storage

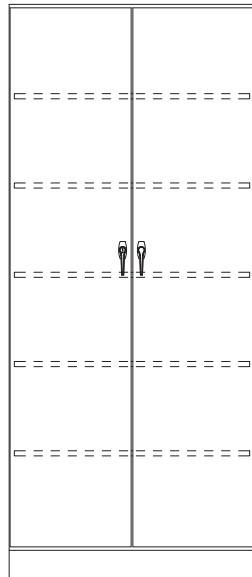


Equipment:

- (2) adjustable black expanded metal shelves
- (1) removable galvanized drip pan in bottom
- Interior is completely lined with galvanized metal

Catalog Number: 3950			
Dimensions of Components	Width	Height	Depth
Overall	35 1/4"	35"	22 1/2"

Catalog Number: 3952
Same as 3950 except 47 1/4" wide



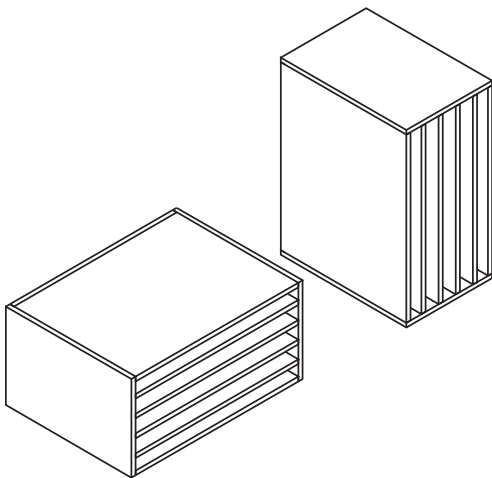
Equipment:

- (5) adjustable metal shelves
- (1) removable galvanized drip pan at bottom

Catalog Number: 8143			
Dimensions of Components	Width	Height	Depth
Overall	35 1/4"	84"	22 1/2"

Catalog Number: 8145
Same as 8143 except 47 1/4" wide

Stackable Storage



Equipment:

- (5) compartments
- Designed to accommodate materials up to 40" x 30"
- Can be stacked horizontally or vertically to create a single storage unit or full wall of storage

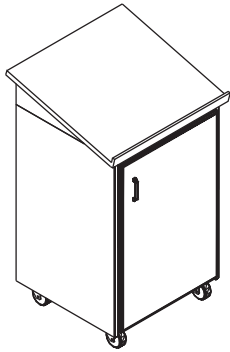
Catalog Number: 7377			
Dimensions of Components	Width	Height	Depth
Overall	42 1/8"	21 1/16"	31"

Optional base/toe space unit for stackables. 3/4" x 4" hardwood plywood sized to form a 2 1/4" deep toe space. Specify length desired based on arrangement of stackables.

Catalog Number: 7378

Wood Music Furniture

Director's Lectern



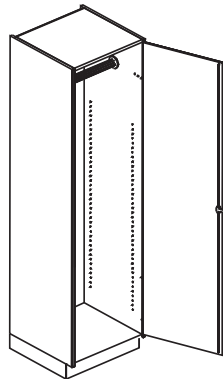
Equipment:

- Cupboard equipped with (2) adjustable shelves
- (4) heavy duty casters: (2) rigid and (2) swivel with locks
- Sloping top with pencil stop is 3/4" thick Rheutex

Catalog Number: 7720

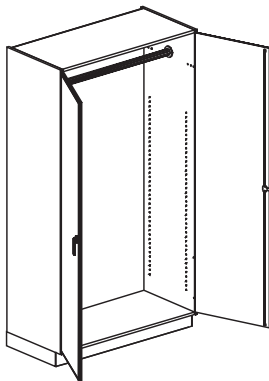
Dimensions of Components	Width	Height	Depth
Overall	24"	41 3/4"	24"

Robe Storage



- **Robe Storage:** One hanger rod

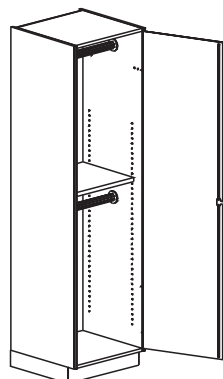
Catalog Number	Width	Height	Depth
7900	18"	84"	22 1/2"
7902	24"	84"	22 1/2"



- **Robe Storage:** One hanger rod

Catalog Number	Width	Height	Depth
7904	30"	84"	22 1/2"
7906	35 1/4"	84"	22 1/2"
7908	41 1/4"	84"	22 1/2"
7910	47 1/4"	84"	22 1/2"

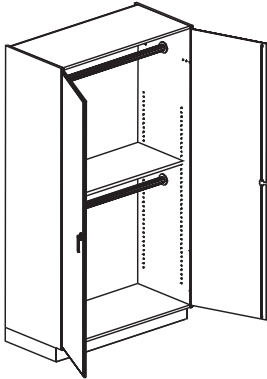
Uniform Storage



- **Uniform Storage:** Two hanger rods. One fixed shelf.

Catalog Number	Width	Height	Depth
7912	18"	84"	22 1/2"
7914	24"	84"	22 1/2"

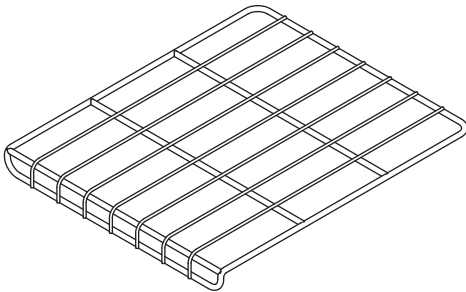
Uniform Storage



- **Uniform Storage:** Two hanger rods. One fixed shelf.

Catalog Number	Width	Height	Depth
7916	30"	84"	22 1/2"
7918	35 1/4"	84"	22 1/2"
7920	41 1/4"	84"	22 1/2"
7922	47 1/4"	84"	22 1/2"

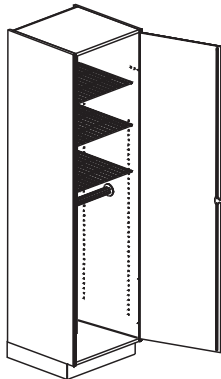
Wire Shelves



- Constructed of 20 ga. steel with black epoxy powder
- Surface perforated with 1/4" holes

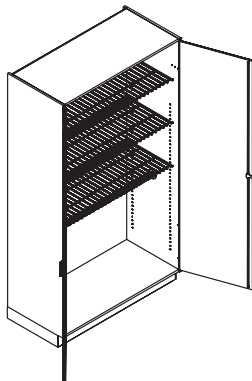
Catalog Number	Width	Depth
7923-18	16 5/16"	19 1/4"
7923-24	22 5/16"	19 1/4"
7923-30	28 5/16"	19 1/4"
7923-35-1/4	33 5/16"	19 1/4"
7923-41-1/4	39 9/16"	19 1/4"
7923-47-1/4	45 9/16"	19 1/4"

Hat and Uniform Storage



- **Hat and Uniform Storage:** One hanger rod. Three wire shelves.

Catalog Number	Width	Height	Depth
7924	18"	84"	22 1/2"
7926	24"	84"	22 1/2"

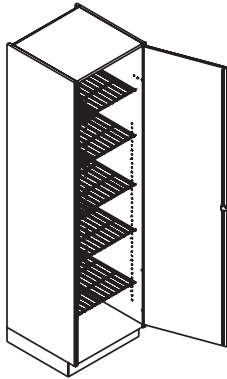


- **Hat and Uniform Storage:** One hanger rod. Three wire shelves.

Catalog Number	Width	Height	Depth
7928	30"	84"	22 1/2"
7930	35 1/4"	84"	22 1/2"
7932	41 1/4"	84"	22 1/2"
7934	47 1/4"	84"	22 1/2"

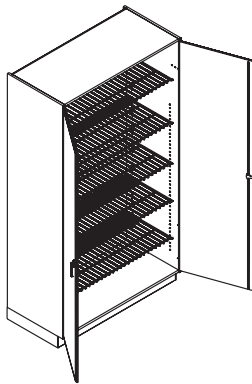
Wood Music Furniture

Hat Storage



- **Hat Storage:** Five wire shelves

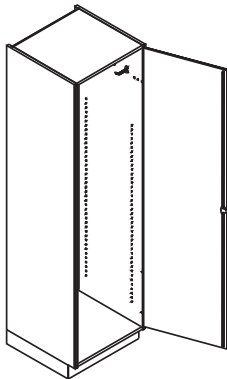
Catalog Number	Width	Height	Depth
7936	18"	84"	22 1/2"
7938	24"	84"	22 1/2"



- **Hat Storage:** Five wire shelves

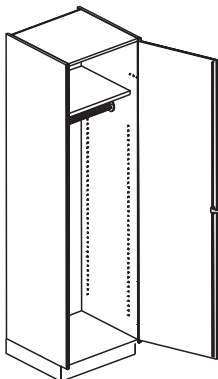
Catalog Number	Width	Height	Depth
7940	30"	84"	22 1/2"
7942	35 1/4"	84"	22 1/2"
7944	41 1/4"	84"	22 1/2"
7946	47 1/4"	84"	22 1/2"

Uniform, Hat, Flag/Banner & Robe Storage



- (1) support bracket on each side
- Ribbed rubber floor mat.

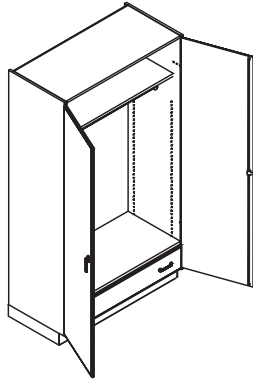
Catalog Number	Width	Height	Depth
7948	30"	84"	22 1/2"



- One fixed shelf
- One hanger rod

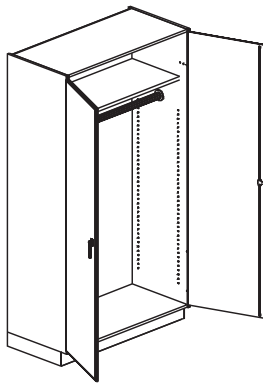
Catalog Number	Width	Height	Depth
8300	18"	84"	22 1/2"
8302	24"	84"	22 1/2"

Uniform, Hat, Flag/Banner & Robe Storage



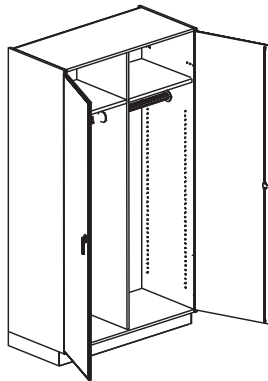
- (1) fixed shelf
- (1) hanger rod
- (1) full width drawer

Catalog Number	Width	Height	Depth
8314	35 1/4"	84"	22 1/2"
8316	41 1/4"	84"	22 1/2"
8318	47 1/4"	84"	22 1/2"



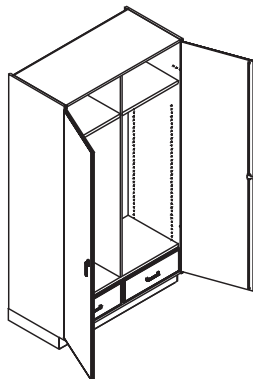
- (1) fixed shelf
- (1) hanger rod

Catalog Number	Width	Height	Depth
8304	35 1/4"	84"	22 1/2"
8306	41 1/4"	84"	22 1/2"
8308	47 1/4"	84"	22 1/2"



- (2) individual compartments
- (2) fixed shelves
- (2) hanger rods

Catalog Number	Width	Height	Depth
8320	35 1/4"	84"	22 1/2"
8322	41 1/4"	84"	22 1/2"
8324	47 1/4"	84"	22 1/2"

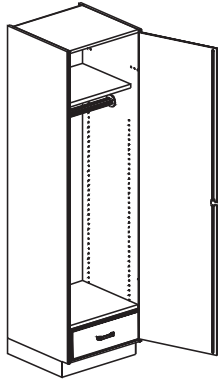


- (2) individual compartments
- (2) fixed shelves
- (2) hanger rods
- (2) half-width drawers

Catalog Number	Width	Height	Depth
8326	35 1/4"	84"	22 1/2"
8328	41 1/4"	84"	22 1/2"
8330	47 1/4"	84"	22 1/2"

Wood Music Furniture

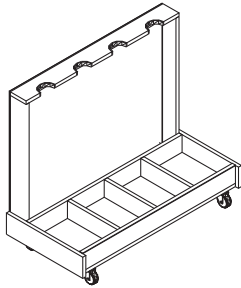
Uniform, Hat, Flag/Banner & Robe Storage



- (1) fixed shelf
- (1) hanger rod
- (1) full-width drawer

Catalog Number	Width	Height	Depth
8310	18"	84"	22 1/2"
8312	24"	84"	22 1/2"

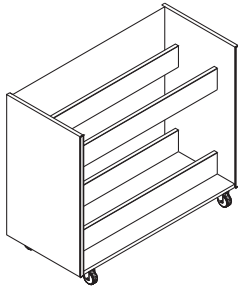
Cello Rack



- Accommodates (4) cellos
- Each point where cello rests is padded
- (4) casters with locks

Catalog Number: 8071			
Dimensions of Components	Width	Height	Depth
Overall	52"	44"	24"

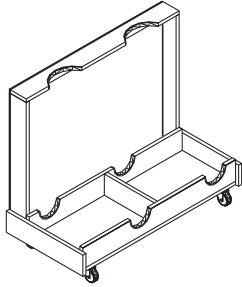
Snare Drum Rack



- Upper and lower sections accommodate (4) snare drums
- Edges are padded
- (4) casters with locks

Catalog Number: 8073			
Dimensions of Components	Width	Height	Depth
Overall	52"	44"	12 3/4"

Sousaphone Rack

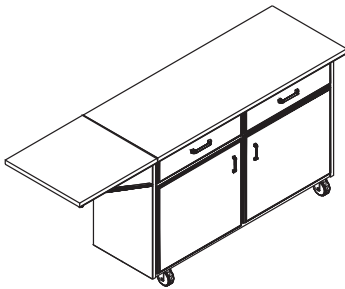


- Designed to hold (2) sousaphones
- (4) casters with locks

Catalog Number: 8075

Dimensions of Components	Width	Height	Depth
Overall	52"	44"	24"

Percussion Accessory Storage



- (1) adjustable shelf
- (4) heavy duty casters: (2) rigid and (2) swivel with locks
- Top and drop leaf are 1" thick Rheatex

Catalog Number: 7704

Dimensions of Components	Width	Height	Depth
Overall	65 1/4"	36 3/4"	24"
Base Cabinet	47 1/4"	-	21"
Drop leaf	16"	-	-

Wood Music Furniture

Instrument Storage

Instrument storage cases are constructed of particle board panels with all interior faces, exposed or unexposed, and all unexposed exterior faces, frosty white. All exposed exterior faces are vertical grade, high pressure plastic laminate in the specified pattern or color. Top panels are 1" thick, backs 1/4" thick, and all other panels 3/4" thick. Leading edges of all interior dividers are protected with anodized aluminum channel. Exposed edges of top, bottom and end panels are edge banded with black 3mm PVC. The 1/4" thick back is recessed 1", let into routed end panels. Case is further reinforced with 3/4" x 4" cross rails on the back side, at the top, and center.

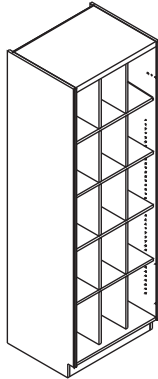
Full doors, when specified, have squared edges without profiling, and overlap the face of the cabinet, exposing a full 3/4" thick material with black 3mm PVC applied to all four edges. Doors are 3/4" thick particle board with vertical grade high pressure plastic laminate on both faces. Doors are equipped with a 3-point latching, or locking system.

Steel doors, when specified, are 18 ga. welded construction with 1/2" diameter perforations, and equipped with a 4" black plastic semi-recessed pull. Hinges are continuous type with one wing welded to the door frame. Each door is provided with padlock eyes and a 3/4" x 3" name plate. Finish is textured slate gray.

If Solid Oak Instrument Storage Casework is desired: Refer to our CampbellRhea wood casework specifications for construction details. Use given Instrument Storage Casework catalog numbers, and add suffix "-w". Example: 7950-W. Grille doors can be furnished as described above.

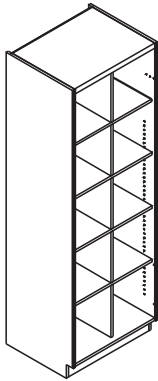
30" Depth Unit Compartment Depth is 28 5/8"				40 1/8" Depth Unit Compartment Depth is 38 3/4"			
Type	Width	Height	Recommended Usage	Type	Width	Height	Recommended Usage
A	5 3/4"	15 1/32"	E-Flat & B-Flat Clarinets, Piccolo, Flute, Soprano	A	5 3/4"	15 1/32"	Bassoon
B	9"	15 1/32"	Saxophone, Oboe, English Horn, Cornet, Trumpet, Alto Saxophone	B	9"	15 1/32"	Alto & Bass Clarinets, Tenor Saxophone, Viola, Violin
C	12 1/4"	15 1/32"	Miscellaneous Equipment & Instruments listed under A & B	C	12 1/4"	12 1/4"	Trombone
D	18 3/4"	25 9/16"	Alto Horn, French Horn, Mellophone, Snare Drum, Field Drum	D	18 3/4"	18 3/4"	Baritone Horn, Mellphonium Valve Trombone
E	18 3/4"	46 1/8"	Bass Drum 14" x 28", Guitar, Bass Trombone	E	18 3/4"	46 1/8"	Bass Drum 16" x 36"
F	18 3/4"	62 3/8"	Cello Baritone, Saxophone, Bass Saxophone	F	18 3/4"	62 3/8"	Cello, Baritone Saxophone, Bass Saxophone
G	18 3/4"	78 1/4"	Bass Violin	G	18 3/4"	78 1/4"	Bass Violin
H	18 3/4"	15 1/32"	Miscellaneous	H	18 3/4"	15 1/32"	Miscellaneous

Instrument Storage



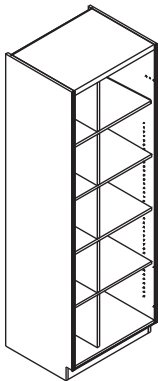
- (15) Type A Compartments

Catalog Number	Door Type	Width	Height	Depth
7950	No Door	20 1/4"	84"	30"
7952	Full Door	20 1/4"	84"	30"
7954	Steel Door	20 1/4"	84"	30"
7956	No Door	20 1/4"	84"	40 1/8"
7958	Full Door	20 1/4"	84"	40 1/8"
7960	Steel Door	20 1/4"	84"	40 1/8"



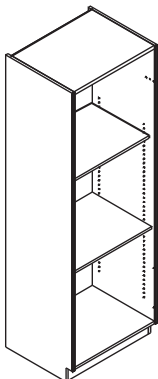
- (10) Type B Compartments

Catalog Number	Door Type	Width	Height	Depth
7962	No Door	20 1/4"	84"	30"
7964	Full Door	20 1/4"	84"	30"
7966	Steel Door	20 1/4"	84"	30"
7968	No Door	20 1/4"	84"	40 1/8"
7970	Full Door	20 1/4"	84"	40 1/8"
7972	Steel Door	20 1/4"	84"	40 1/8"



- (5) Type A Compartments
- (5) Type C Compartments

Catalog Number	Door Type	Width	Height	Depth
7974	No Door	20 1/4"	84"	30"
7976	Full Door	20 1/4"	84"	30"
7978	Steel Door	20 1/4"	84"	30"
7980	No Door	20 1/4"	84"	40 1/8"
7982	Full Door	20 1/4"	84"	40 1/8"
7984	Steel Door	20 1/4"	84"	40 1/8"

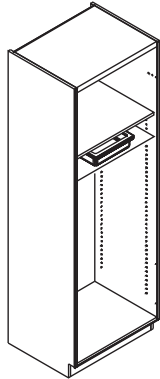


- (3) Type D Compartments

Catalog Number	Door Type	Width	Height	Depth
7986	No Door	20 1/4"	84"	30"
7988	Full Door	20 1/4"	84"	30"
7990	Steel Door	20 1/4"	84"	30"
7992	No Door	20 1/4"	84"	40 1/8"
7994	Full Door	20 1/4"	84"	40 1/8"
7996	Steel Door	20 1/4"	84"	40 1/8"

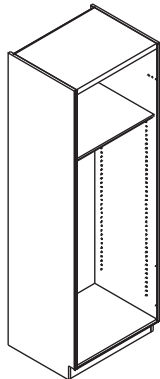
Wood Music Furniture

Instrument Storage



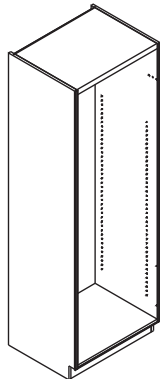
- (1) Type D Compartment
- (1) Type E Compartment
- (1) 6346 Tote Tray included

Catalog Number	Door Type	Width	Height	Depth
7998	No Door	20 1/4"	84"	30"
8000	Full Door	20 1/4"	84"	30"
8002	Steel Door	20 1/4"	84"	30"
8004	No Door	20 1/4"	84"	40 1/8"
8006	Full Door	20 1/4"	84"	40 1/8"
8009	Steel Door	20 1/4"	84"	40 1/8"



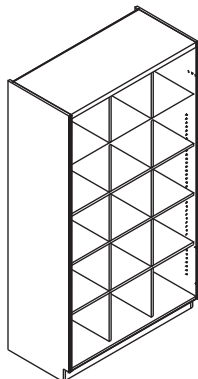
- (1) Type H Compartment
- (1) Type F Compartment
- Miscellaneous compartment has a ribbed rubber mat

Catalog Number	Door Type	Width	Height	Depth
8010	No Door	20 1/4"	84"	30"
8012	Full Door	20 1/4"	84"	30"
8014	Steel Door	20 1/4"	84"	30"
8016	No Door	20 1/4"	84"	40 1/8"
8018	Full Door	20 1/4"	84"	40 1/8"
8020	Steel Door	20 1/4"	84"	40 1/8"



- (1) Type G Compartment
- Compartment has ribbed rubber mat

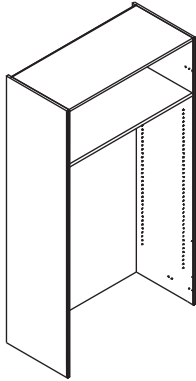
Catalog Number	Door Type	Width	Height	Depth
8022	No Door	20 1/4"	84"	30"
8024	Full Door	20 1/4"	84"	30"
8028	No Door	20 1/4"	84"	40 1/8"
8030	Full Door	20 1/4"	84"	40 1/8"



- (15) Type C Compartment

Catalog Number	Door Type	Width	Height	Depth
8034	No Doors	39 3/4"	84"	30"
8036	Full Doors	39 3/4"	84"	30"
8038	Steel Doors	39 3/4"	84"	30"
8040	No Doors	39 3/4"	84"	40 1/8"
8042	Full Doors	39 3/4"	84"	40 1/8"
8044	Steel Doors	39 3/4"	84"	40 1/8"

Instrument Storage

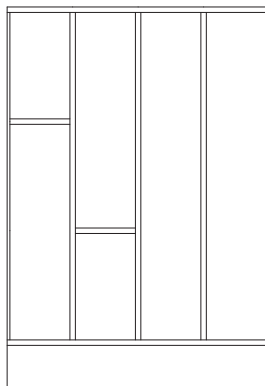
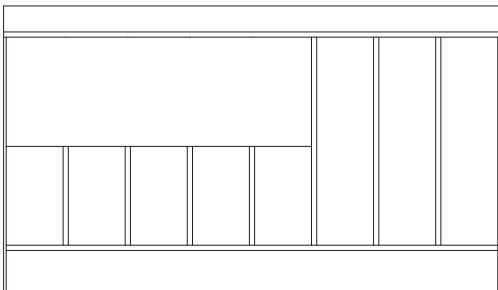
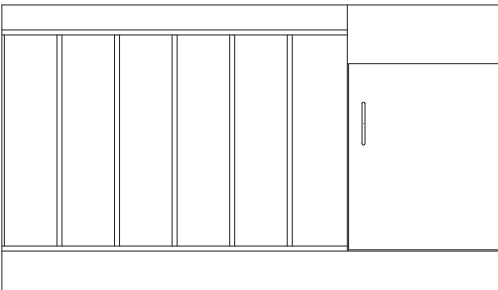
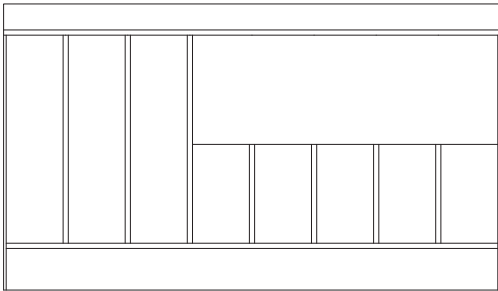
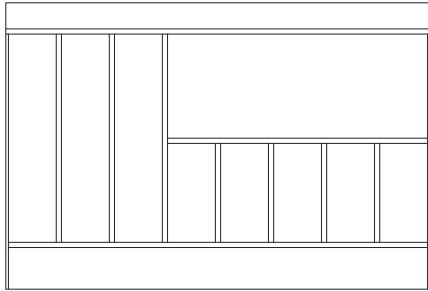


- (2) Compartments

Catalog Number	Door Type	Width	Height	Depth
8046	No Door	47 1/4"	84"	30"
8048	Full Door	47 1/4"	84"	30"
8050	No Door	47 1/4"	84"	40 1/8"
8052	Full Door	47 1/4"	84"	40 1/8"

Wood Vocational Furniture

Darkroom Cabinet



- Has removable 3/4" plywood dividers

Catalog Number: 3917			
Dimensions of Components	Width	Height	Depth
Overall	40 3/4"	27 1/2"	22 1/2"
(3) Compartments	4 3/16"	20"	18 3/4"
(5) Compartments	4 3/16"	9 5/8"	18 3/4"

- Has removable 3/4" plywood dividers

Catalog Number: 3919			
Dimensions of Components	Width	Height	Depth
Overall	47 3/4"	27 1/2"	28 1/2"
(3) Compartments	5 1/16"	20"	18 3/4"
(5) Compartments	5 1/16"	9 5/8"	18 3/4"

Catalog Number: 3920
Same as 3919 except dividers are removed and unit has (2) hinged doors

- Has removable 3/4" plywood dividers

Catalog Number: 3921			
Dimensions of Components	Width	Height	Depth
Overall	49 7/8"	28 5/8"	22 1/2"
(6) Compartments	4 7/8"	21 1/8"	20 3/4"
(1) Sink Cabinet	15 5/16"	-	22 1/2"

- Has removable 3/4" plywood dividers

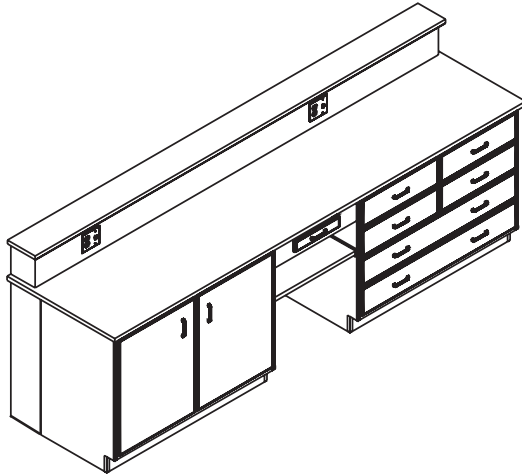
Catalog Number: 3923			
Dimensions of Components	Width	Height	Depth
Overall	47 3/4"	27 1/2"	28 1/2"
(3) Compartments	5 1/16"	20"	18 3/4"
(5) Compartments	5 1/16"	9 5/8"	18 3/4"

- Has removable 3/4" plywood dividers

Catalog Number: 3923			
Dimensions of Components	Width	Height	Depth
Overall	24"	35"	22 1/2"
(2) Compartments	5 1/16"	29 1/14"	21 1/4"
(2) Compartments	5 1/16"	14 1/4"	21 1/4"
(1) Compartment	5 1/16"	9 1/2"	21 1/4"
(1) Compartment	5 1/16"	19"	21 1/4"

Catalog Number: 3927
Same as 3925 except opposite hand

Printing Table



Equipment:

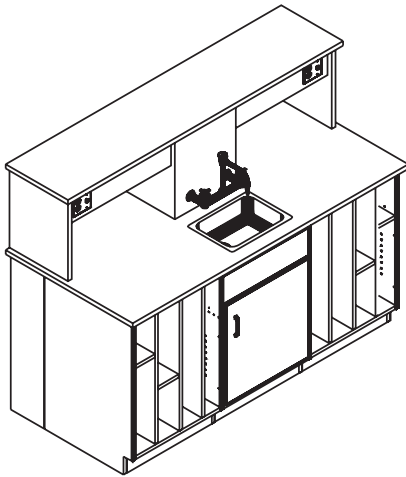
- (2) duplex AC receptacles with switches
- (1) sliding shelf in kneespace
- (1) full depth adjustable shelf in cupboard
- Top, fixture panel and shelf are 1" thick - material to be specified

Note: Traps, drain lines, service piping and electric conduit are not included.

Catalog Number: 6612

Dimensions of Components	Width	Height	Depth
Overall	96"	36"	30"
(2) Base Cabinets (O.D.)	35 1/4"	35"	28 3/4"
Cupboard (I.D.)	33 3/4"	29 1/4"	26 3/4"
(4) Drawers (I.D.)	14 1/2"	6"	17"
(2) Drawers (I.D.)	31 3/4"	6"	17"
(1) Drawer (I.D.)	13"	2 1/4"	15"
Fixture Panel & Shelf	96"	5 1/2"	8"

Photography Sink and Storage



Equipment:

- (1) combination hot and cold water gooseneck faucet
- (1) each amber and red safe light with switch behind fixture panel
- (2) duplex AC receptacles with switches
- (1) epoxy resin sink
- (1) polypropylene sink outlet with 6" polypropylene overflow
- Top, fixture panel and ledge cap are 1" thick Rhearock unless specified

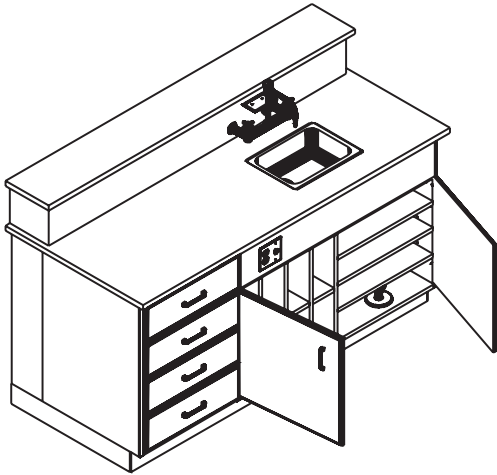
Note: Traps, drain lines, service piping and electric conduit are not included.

Catalog Number: 6614

Dimensions of Components	Width	Height	Depth
Overall	72"	36"	30"
(2) Base Cabinets (O.D.)	24"	35"	22 1/2"
(1) Sink Cabinet (O.D.)	21"	35"	22 1/2"
Cupboard (I.D.)	19 1/2"	21 3/4"	20 3/4"
(2) Tray Compartments (I.D.)	5 1/16"	9 1/2"	21 1/4"
(2) Tray Compartments (I.D.)	5 1/16"	19"	21 1/4"
(4) Tray Compartments (I.D.)	5 1/16"	14 1/4"	21 1/4"
(4) Tray Compartments (I.D.)	5 1/16"	29 1/4"	21 1/4"
Fixture Panel & Shelf	72"	18"	10 1/2"
Sink Depth	8"	-	12"

Wood Vocational Furniture

Photography Sink and Storage



Equipment:

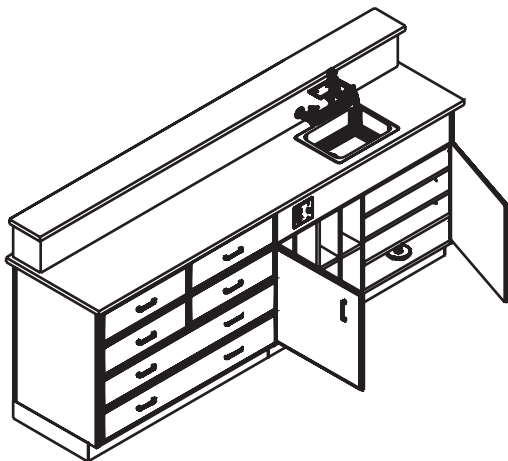
- (1) combination hot and cold water swing spout mixing faucet with soap dish
- (1) duplex AC receptacle
- (1) drying light and switch
- (1) epoxy resin sink
- (1) polypropylene sink outlet with 6" polypropylene beehive overflow
- (3) adjustable print drying frames
- Top, fixture panel and shelf are 1" thick Rhearock unless specified

Note: Traps, drain lines, service piping and electric conduit are not included.

Catalog Number: 6616

Dimensions of Components	Width	Height	Depth
Overall	61"	36"	30"
(1) Base Cabinet (O.D.)	24"	35"	28 3/4"
(1) Base Cabinet (O.D.)	35 1/4"	35"	28 3/4"
(4) Drawers (I.D.)	20 1/2"	6"	17"
(2) Tray Compartments (I.D.)	3 3/8"	18 3/4"	14 1/2"
(4) Tray Compartments (I.D.)	3 3/8"	9"	14 1/2"
(1) Drying Compartment (I.D.)	14 3/4"	20 1/4"	14 1/2"
Fixture Panel & Shelf	61"	8"	5 1/2"
Sink Depth	8 3/4"	-	20"

Developing Table



Equipment:

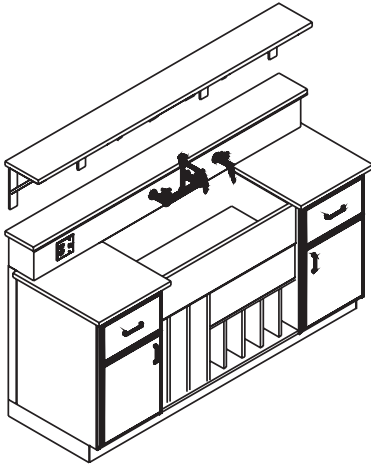
- (1) combination hot and cold water swing spout mixing faucet with soap dish
- (1) duplex AC receptacle
- (1) drying light and switch
- (1) epoxy resin sink
- (1) polypropylene sink outlet with 6" polypropylene overflow
- (3) adjustable print drying frames
- Top, fixture panel and shelf are 1" thick Rhearock unless specified

Note: Traps, drain lines, service piping and electric conduit are not included.

Catalog Number: 6618

Dimensions of Components	Width	Height	Depth
Overall	72"	36"	30"
(1) Base Cabinet (O.D.)	35 1/4"	35"	28 3/4"
(1) Base Cabinet (O.D.)	35 1/4"	35"	28 3/4"
(4) Drawers (I.D.)	14 1/2"	6"	17"
(2) Drawers (I.D.)	31 3/4"	6"	17"
(2) Tray Compartments (I.D.)	3 3/8"	18 3/4"	14 1/2"
(4) Tray Compartments (I.D.)	3 3/8"	9"	14 1/2"
(1) Drying Compartment (I.D.)	14 3/4"	20 1/4"	14 1/2"
Fixture Panel & Shelf	72"	8"	5 1/2"
Sink	8 3/4"	-	20"

Developing Table



Equipment:

- (1) combination hot and cold water gooseneck faucet
- (1) cold water bibb faucet
- (1) duplex AC receptacle with switch
- (1) epoxy resin sink
- (1) polypropylene sink outlet with 4" polypropylene overflow
- (2) full depth adjustable shelves
- (1) wall shelf with (3) graduated racks
- Top, fixture panel and shelf are 1" thick Rhearock unless specified
- Wall shelf is 1" thick phenolic resin with solid oak wall brackets

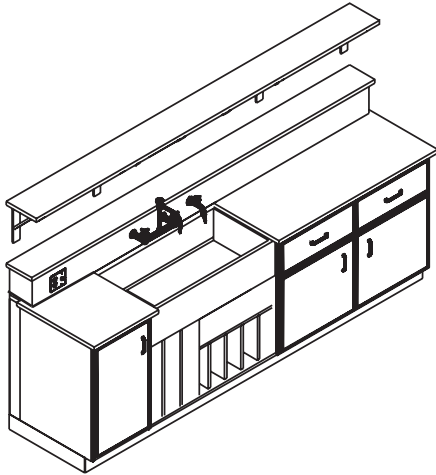
Note: Traps, drain lines, service piping and electric conduit are not included.

Catalog Number: 6619

Dimensions of Components	Width	Height	Depth
Overall	78 3/4"	36"	30"
(2) Base Cabinets (O.D.)	18"	35"	28 3/4"
(1) Tray Cabinet (O.D.)	40 3/4"	27 1/2"	22 1/2"
(2) Drawers (I.D.)	14 1/2"	6"	17"
(2) Cupboards (I.D.)	16 1/2"	21 3/4"	26 3/4"
(5) Tray Compartments (I.D.)	4 1/4"	9 5/8"	18 3/4"
(3) Tray Compartments (I.D.)	4 1/4"	20"	18 3/4"
Fixture Panel & Shelf	78 3/4"	10"	4 3/4"
Wall Shelf	78 3/4"	-	12"
Epoxy Resin Sink (O.D.) (Sink Depth: 7 1/2")	40 3/4"	-	26"

Wood Vocational Furniture

Developing Table



Equipment:

- (1) combination hot and cold water gooseneck faucet
- (1) cold water bibb faucet
- (1) duplex AC receptacle with switch
- (1) epoxy resin sink with (1) polypropylene sink outlet with 4" polypropylene overflow
- (2) full depth adjustable shelves
- (1) wall shelf with (3) graduated racks
- Top, fixture panel and shelf are 1" thick Rhearock unless specified
- Wall shelf is 1" thick phenolic resin with solid oak wall brackets

Note: Traps, drain lines, service piping and electric conduit are not included.

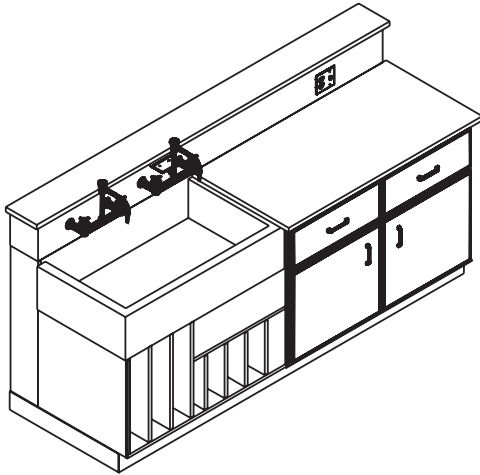
Catalog Number: 6620

Dimensions of Components	Width	Height	Depth
Overall	96"	36"	30"
(1) Base Cabinets (O.D.)	18"	35"	28 3/4"
(1) Cupboard (I.D.)	16 1/2"	29 1/4"	26 3/4"
(1) Tray Cabinet (O.D.)	40 3/4"	27 1/2"	22 1/2"
(1) Base Cabinet (O.D.)	35 1/4"	35"	28 3/4"
(2) Drawers (I.D.)	14 1/2"	6"	17"
(1) Cupboard (I.D.)	33 3/4"	21 3/4"	26 3/4"
(5) Tray Compartments (I.D.)	4 1/4"	9 5/8"	18 3/4"
(3) Tray Compartments (I.D.)	4 1/4"	20"	18 3/4"
Fixture Panel & Shelf	96"	10"	4 3/4"
Wall Shelf	96"	-	12"
Epoxy Resin Sink (O.D.) (Sink Depth: 7 1/2")	40 3/4"	-	26"

Catalog Number: 6621

Same as 6620 except 66 3/4" long and base cabinets are 12" W x 22 1/2" D x 35" H

Developing Table



Equipment:

- (1) combination hot and cold water gooseneck faucet
- (1) combination hot and cold swing spout faucet with soap dish
- (1) duplex AC receptacle with switch
- (1) epoxy resin sink
- (1) polypropylene sink outlet with 4" polypropylene overflow
- (1) full depth adjustable shelf
- Top, fixture panel and ledge cap are 1" thick Rhearock unless specified

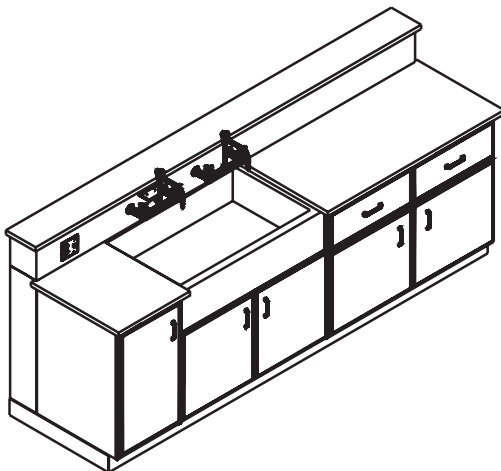
Note: Traps, drain lines, service piping and electric conduit are not included.

Catalog Number: 6622

Dimensions of Components	Width	Height	Depth
Overall	96"	36"	30"
(1) Tray Cabinet (O.D.)	47 3/4"	27 1/2"	22 1/2"
(1) Base Cabinet (O.D.)	47 1/4"	35"	28 3/4"
(2) Drawers (I.D.)	20 1/2"	6"	17"
(1) Cupboard (I.D.)	45 3/4"	21 3/4"	26 3/4"
(5) Tray Compartments (I.D.)	5 1/8"	9 5/8"	18 3/4"
(3) Tray Compartments (I.D.)	5 1/8"	20"	18 3/4"
Fixture Panel & Shelf	96"	10"	4 3/4"
Sink (O.D.) (Sink Depth: 7 1/2")	47 3/4"	-	26"

Catalog Number: 8139

Same as 6622 except opposite hand



Equipment:

- (1) combination hot and cold water gooseneck faucet
- (1) combination hot and cold swing spout faucet with soap dish
- (1) duplex AC receptacle with switch
- (1) epoxy resin sink
- (1) polypropylene sink outlet with 4" polypropylene overflow
- (2) full depth adjustable shelves
- Top, fixture panel and ledge cap are 1" thick Rhearock unless specified

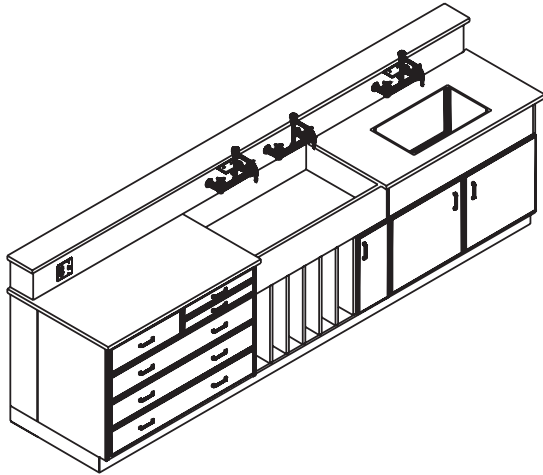
Note: Traps, drain lines, service piping and electric conduit are not included.

Catalog Number: 6623

Dimensions of Components	Width	Height	Depth
Overall	89 1/8"	36"	30"
(1) Base Cabinet (O.D.)	12 3/8"	35"	28 3/4"
(1) Base Cabinet (O.D.)	27"	35"	28 3/4"
(1) Sink Cabinet (O.D.)	47 3/4"	27 1/2"	22 1/2"
(2) Drawers (I.D.)	10 3/8"	6"	17"
Fixture Panel & Shelf	88 1/4"	10"	4 3/4"
Sink (O.D.) (Sink Depth: 7 1/2")	47 3/4"	-	26"

Wood Vocational Furniture

Developing Table



Equipment:

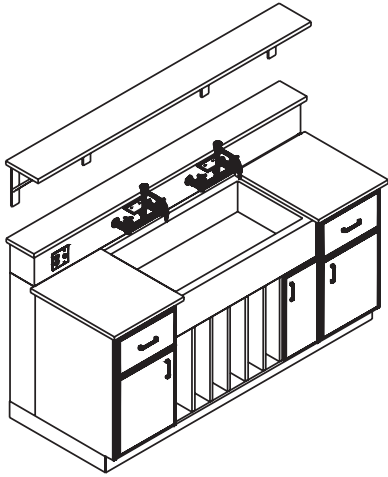
- (1) combination hot and cold water gooseneck faucet
- (2) combination hot and cold water swing spout faucets with soap dishes
- (1) duplex AC receptacle with switch
- (1) large epoxy resin sink in center
- (1) large epoxy sink in sink cabinet
- (2) polypropylene sinks outlets: (1) 4", (1) 8" polypropylene overflows
- (1) light proof drawer on upper left side
- Top, fixture panel & shelf are 1" Rhearock unless specified

Note: Traps, drain lines, service piping and electric conduit are not included.

Catalog Number: 6624

Dimensions of Components	Width	Height	Depth
Overall	11' 2 1/4"	36"	30"
(1) Tray Cabinet (O.D.)	34 9/16"	28 5/8"	22 1/2"
(1) Base Cabinet (O.D.)	15 15/16"	28 5/8"	22 1/2"
(1) Cupboard (I.D.)	13 13/16"	19 1/4"	20 3/4"
(1) Sink Cabinet (O.D.)	35 1/4"	35"	28 3/4"
(1) Cupboard	33 3/4"	21 3/4"	26 3/4"
(1) Base Cabinet (O.D.)	47 1/4"	35"	28 3/4"
(1) Drawer (I.D.)	20 1/2"	6"	17"
(2) Drawers (I.D.)	20 1/2"	2 1/4"	17"
(3) Drawers (I.D.)	43 3/4"	6"	17"
(6) Tray Compartments (I.D.)	4 7/8"	21 1/8"	20 3/4"
Fixture Panel & Shelf	11' 2 1/4"	10"	4 3/4"
(1) Sink (I.D.) (Sink Depth: 5 5/8")	48 3/4"	-	24 5/8"
(1) Sink (I.D.) (Sink Depth: 10")	25"	-	15"

Developing Table



Equipment:

- (2) hot and cold water swing spout faucets with soap dishes
- (1) duplex AC receptacle with switch
- (1) epoxy resin sink
- (1) polypropylene sink outlet and 4" polypropylene overflow
- (2) full-depth adjustable shelves
- (1) wall shelf
- Wall shelf is 1" thick phenolic resin with solid oak brackets
- Top fixture panel and shelf are 1" thick Rhearock unless specified

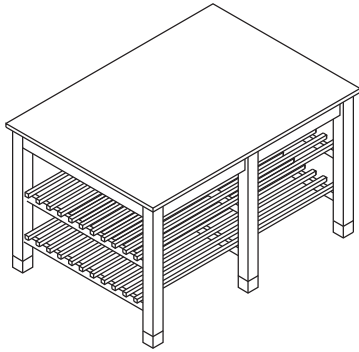
Note: Traps, drain lines, service piping and electric conduit are not included.

Catalog Number: 6624

Dimensions of Components	Width	Height	Depth
Overall	7' 4"	36"	30"
(2) Base Cabinets (O.D.)	18"	35"	28 3/4"
(2) Cupboards (I.D.)	16 1/2"	21 3/4"	26 3/4"
(1) Tray Cabinet (O.D.)	36 9/16"	28 5/8"	22 1/2"
(1) Base Cabinet (O.D.)	15 15/16"	28 5/8"	22 1/2"
(1) Cupboard (I.D.)	13 13/16"	19 1/4"	20 3/4"
(2) Drawers (I.D.)	14 1/2"	6"	17"
(6) Tray Compartments (I.D.)	4 7/8"	21 1/8"	20 3/4"
Fixture Panel & Shelf	7' 4"	10"	4 3/4"
(1) Sink (I.D.) (Sink Depth: 5 5/8")	48 3/4"	-	24 5/8"
Wall Shelf	7' 4"	-	12"

Wood Vocational Furniture

Heavy Duty Project Bench



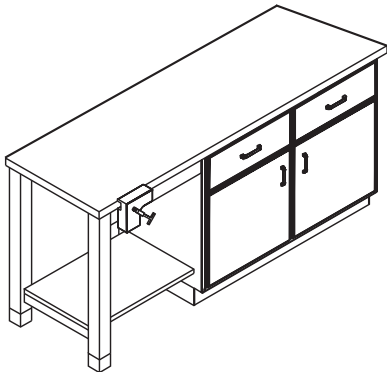
Equipment:

- Solid oak construction including shelf rails
- Shelves provide storage for large quantities of 48" x 30" flat stock
- Top is 1 1/4" thick Rhearesin

Catalog Number: 6793

Dimensions of Components	Width	Height	Depth
Overall	60"	36 1/4"	42"

Apparatus Shop Bench

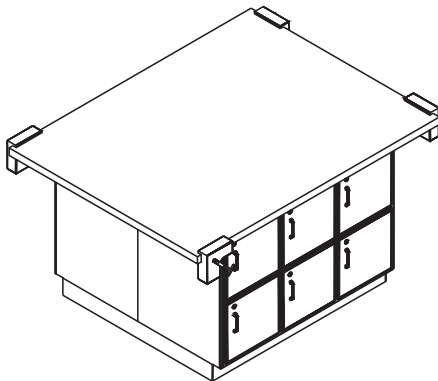


Equipment:

- (1) adjustable shelf in cupboard
- (1) #7352A wood working vise with 4" x 7" jaw face, 9" maximum opening and rapid acting nut
- Top is 1 3/4" laminated hard maple

Catalog Number: 6794

Dimensions of Components	Width	Height	Depth
Overall	72"	36 3/4"	24"
(1) Base Cabinet (O.D.)	35 1/4"	35"	22 1/2"
(2) Drawers (I.D.)	14 1/2"	6"	17"
(1) Cupboard (I.D.)	33 3/4"	21 3/4"	20 3/4"

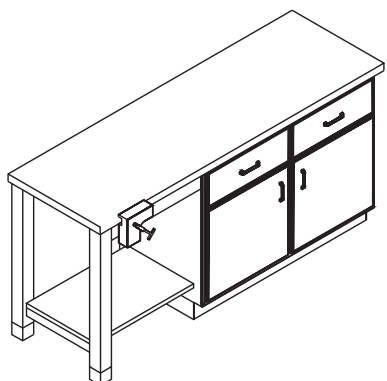


Equipment:

- (4) #7352A wood working vises each with 4" x 7" jaw face, 9" maximum opening and rapid acting nut
- (12) individual lockers: (6) on each side
- (12) master keyed locks
- Top is 2 1/4" laminated hard maple

Catalog Number: 6796

Dimensions of Components	Width	Height	Depth
Overall	36"	31 1/4"	54"
(2) Base Cabinets (O.D.)	35 1/4"	29"	22 1/2"
(12) Lockers (I.D.)	10 1/2"	11 1/4"	19 1/4"



Equipment:

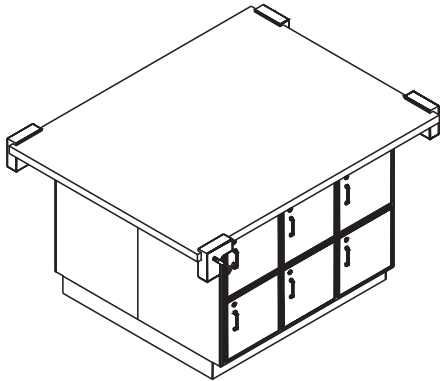
- Base cabinet has unfinished back
- (1) adjustable shelf in cabinet
- (2) drawers
- (1) 7352A wood working vise
- Top is 1 3/4" laminated hard maple

Catalog Number: 7300

Dimensions of Components	Width	Height	Depth
Overall	72"	36 3/4"	24"
(1) Base Cabinets (O.D.)	35 1/4"	35"	22 1/2"

Wood Vocational Furniture

Student Work Bench

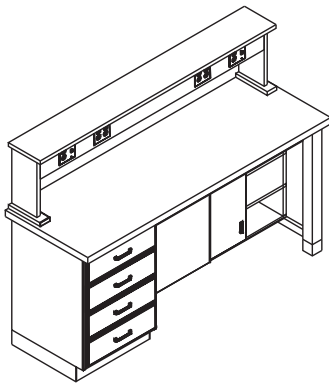


Equipment:

- Base cabinet has (12) individual lockers, master keyed
- (4) 7352A wood working vises with aluminum handles
- Top is 2 1/4" laminated hard maple

Catalog Number: 7302			
Dimensions of Components	Width	Height	Depth
Overall	54"	31 1/4"	48"
(2) Base Cabinets (O.D.)	35 1/4"	29"	22 1/2"
(12) Lockers (I.D.)	10 1/2"	11 1/4"	19 1/4"

Electronic Work Bench

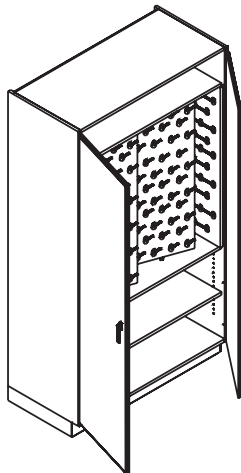


Equipment:

- (1) 21" W x 22 1/2" D (4) drawer base cabinet
- (1) sliding door storage with (2) adjustable shelves
- (1) shelf assembly 8" W x 17" H
- (2) gang duplex AC receptacles, finished black
- (1) gang duplex AC receptacles with switch
- Top is 1" thick Rheutex

Catalog Number: 7304			
Dimensions of Components	Width	Height	Depth
Overall	72"	36"	30"

Tool Storage Case



Equipment:

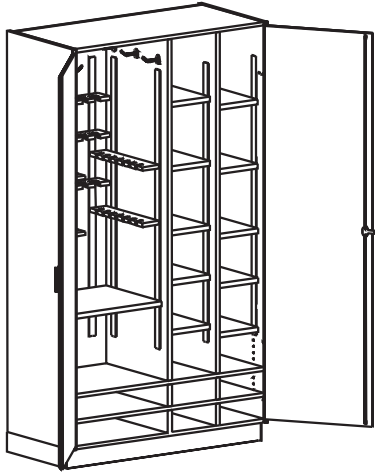
- (1) cubicle at bottom with adjustable shelf
- (1) fixed storage shelf at top
- Pegboard back and sides in center section with (2) pivoting pegboard panels
- Doors are equipped with 3-point latching system

Catalog Number: 7318			
Dimensions of Components	Width	Height	Depth
Overall	35 1/4"	84"	22 1/2"

Catalog Number: 7320			
Same as 7318 except 47 1/4" wide			

Wood Vocational Furniture

Tool Storage Case



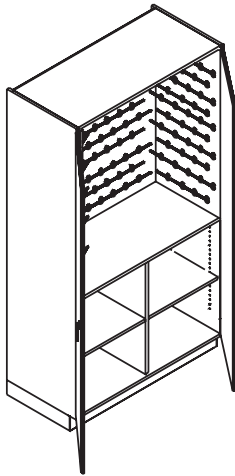
Equipment:

- (4) compartments to accommodate (4) #6344 plastic tote trays (included)
- (3) tiers: (2) adjustable shelves and (1) adjustable shelf and adjustable tool holders

Catalog Number: 7321

Dimensions of Components	Width	Height	Depth
Overall	47 1/4"	84"	22 1/2"

Shop Storage

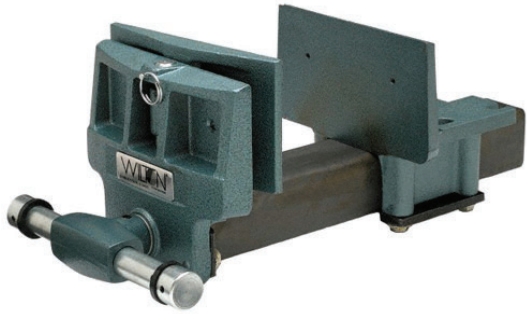


Equipment:

- Upper section is pegboard lined
- Lower section has (2) adjustable shelves and fixed vertical divider
- Double doors have 3-point latching system

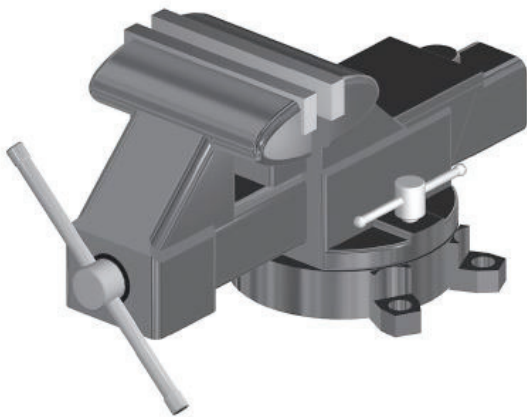
Catalog Number: 8115

Dimensions of Components	Width	Height	Depth
Overall	41 1/4"	84"	22 1/2"

Woodworker's Vise

7" woodworker's vise with 2 1/2" clamping area on the left side where it is needed most. Clamping area is 20% larger than that of a conventional 7" woodworkers vise. Dog type front jaw for use with bench stops. Vise has rapid acting power slide mechanism which incorporates a controlled friction clutch. Counterclockwise operation disengages threads, permits fast jaw movement. Clockwise operation engages threads, producing continuous jaw movement and high pressure nonslip holding power. Strong, light metal handles of zinc coated tubular steel won't stain hands or work. Equipped with polyethylene washers. Jaw is 4" x 7" with a maximum opening of 9". Includes mounting template with instructions for pre-drilling four mounting holes.

Catalog Number: 7352A

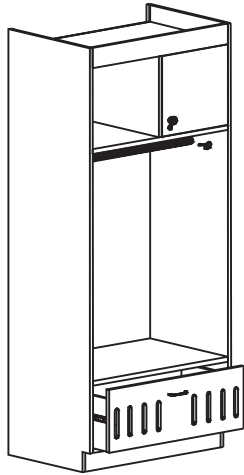
Metal & Utility Workshop Vise

Vise has heavy duty steel front jaw beam with covers screw; extra large back jaw anvil and anvil horn. Screw formed from cold rolled steel; handle balls forged from handle stock. Vise features an Acme threaded replaceable, malleable iron nut and replaceable compressed powdered metal jaw faces. Permanent pipe jaws, positive "Tri-Grip" design, with positive locking swivel base, slip handle and lock nut. Jaws are polished, and the anvil has a bright red finish. Screw, handle and lock nut have bright zinc plated finish. Jaw width is 4" with a maximum opening of 5". Pipe capacity is from 1/8" to 2".

Catalog Number: 7352B

Wood Athletics & Cubbies

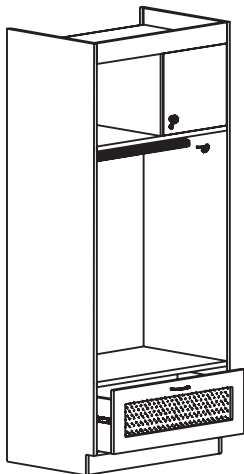
Open Locker with Drawer



Equipment:

- Top rail is large enough to support 2 1/2" H name plate (order separately)
- Unit equipped with open cubby and a combination locked cupboard at top
- Clothes hanger rod and (2) clothing hooks
- Underneath fixed bench seat is a vented drawer for additional storage

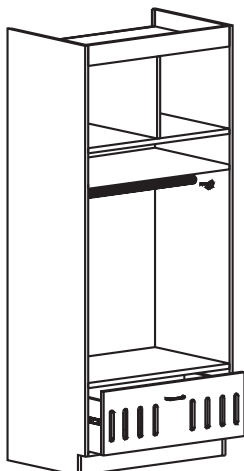
Catalog Number	Width	Height	Depth
AADV2484	24"	84"	24"
AADV2784	27"	84"	24"
AADV3084	30"	84"	24"
AADV3384	33"	84"	24"
AADV3684	36"	84"	24"



Equipment:

- Top rail is large enough to support 2 1/2" H name plate (order separately)
- Unit equipped with open cubby and a combination locked cupboard at top
- (1) fixed shelf
- (1) clothes hanger rod
- (2) clothing hooks
- Underneath fixed bench seat is a vented drawer for additional storage
- Drawer face has a perforated epoxy coated steel panel insert

Catalog Number	Width	Height	Depth
AADP2484	24"	84"	24"
AADP2784	27"	84"	24"
AADP3084	30"	84"	24"
AADP3384	33"	84"	24"
AADP3684	36"	84"	24"

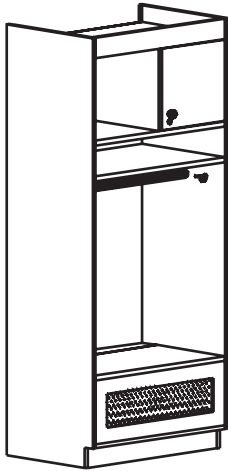


Equipment:

- Top rail is large enough to support 2 1/2" H name plate (order separately)
- Unit equipped with (2) open cubbies at top
- (1) fixed shelf
- (1) clothes hanger rod
- (2) clothing hooks
- Underneath fixed bench seat is a vented drawer for additional storage

Catalog Number	Width	Height	Depth
AAOV2484	24"	84"	24"
AAOV2784	27"	84"	24"
AAOV3084	30"	84"	24"
AAOV3384	33"	84"	24"
AAOV3684	36"	84"	24"

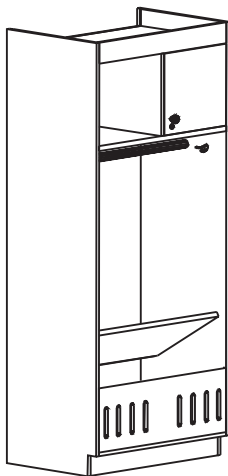
Open Locker with Lift-Seat Storage



Equipment:

- Top rail is large enough to support 2 1/2" H name plate (order separately)
- Unit is equipped with open cubby and a combination locked cupboard at top
- (1) fixed shelf
- (1) clothes hanger rod
- (2) clothing hooks
- Underneath hinged bench seat is additional storage
- Face panel of storage area has a perforated epoxy coated steel panel insert

Catalog Number	Width	Height	Depth
AATP2484	24"	84"	24"
AATP2784	27"	84"	24"
AATP3084	30"	84"	24"
AATP3384	33"	84"	24"
AATP3684	36"	84"	24"



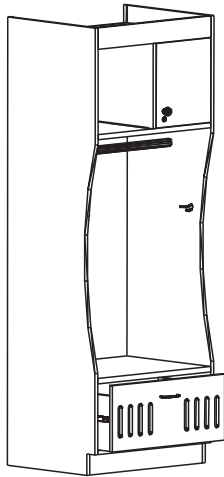
Equipment:

- Top rail is large enough to support 2 1/2" H name plate (order separately)
- Unit equipped with open cubby and a combination locked cupboard at top
- (1) fixed shelf
- (1) clothes hanger rod
- (2) clothing hooks
- Underneath hinged bench seat is additional storage
- Face panel of storage area is vented

Catalog Number	Width	Height	Depth
AATV2484	24"	84"	24"
AATV2784	27"	84"	24"
AATV3084	30"	84"	24"
AATV3384	33"	84"	24"
AATV3684	36"	84"	24"

Wood Athletics & Cubbies

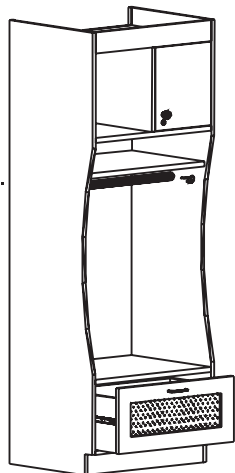
Open Locker with Drawer



Equipment:

- Top rail is large enough to support 2 1/2" H name plate (order separately)
- Unit equipped with open cubby and a combination locked cupboard at top
- (1) clothes hanger rod
- (2) clothing hooks
- Underneath fixed bench seat is a vented drawer for additional storage
- End panels and bench seat have radius edge

Catalog Number	Width	Height	Depth
AADV2484R	24"	84"	24"
AADV2784R	27"	84"	24"
AADV3084R	30"	84"	24"
AADV3384R	33"	84"	24"
AADV3684R	36"	84"	24"

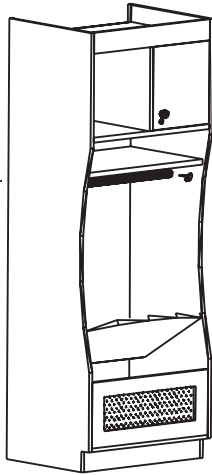


Equipment:

- Top rail is large enough to support 2 1/2" H name plate (order separately)
- Unit equipped with open cubby and a combination locked cupboard at top
- (1) fixed shelf
- (1) clothes hanger rod
- (2) clothing hooks
- Underneath fixed bench seat is a vented drawer for additional storage
- Drawer face has a perforated epoxy coated steel panel insert
- End panels and bench seat have radius edge

Catalog Number	Width	Height	Depth
AADP2484R	24"	84"	24"
AADP2784R	27"	84"	24"
AADP3084R	30"	84"	24"
AADP3384R	33"	84"	24"
AADP3684R	36"	84"	24"

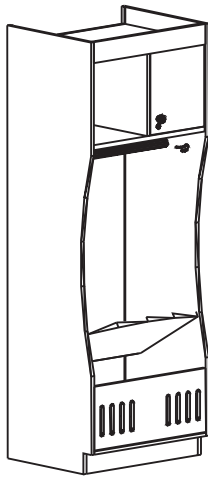
Open Locker with Lift-Seat Storage



Equipment:

- Top rail is large enough to support 2 1/2" H name plate (order separately)
- Unit equipped with open cubby and a combination locked cupboard at top
- (1) fixed shelf
- (1) clothes hanger rod
- (2) clothing hooks
- Underneath hinged bench seat is additional storage
- Face panel of storage area has a perforated epoxy coated steel panel insert
- End panels and bench seat have radius edge

Catalog Number	Width	Height	Depth
AATP2484R	24"	84"	24"
AATP2784R	27"	84"	24"
AATP3084R	30"	84"	24"
AATP3384R	33"	84"	24"
AATP3684R	36"	84"	24"



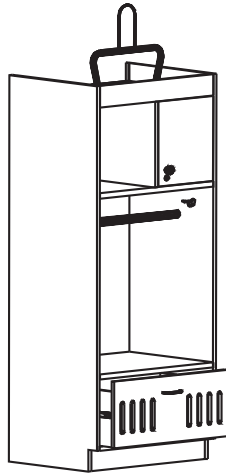
Equipment:

- Top rail is large enough to support 2 1/2" H name plate (order separately)
- Unit equipped with open cubby and a combination locked cupboard at top
- (1) fixed shelf
- (1) clothes hanger rod
- (2) clothing hooks
- Underneath hinged bench seat is additional storage
- Face panel of storage area is vented
- End panels and bench seat have radius edge

Catalog Number	Width	Height	Depth
AATV2484R	24"	84"	24"
AATV2784R	27"	84"	24"
AATV3084R	30"	84"	24"
AATV3384R	33"	84"	24"
AATV3684R	36"	84"	24"

Wood Athletics & Cubbies

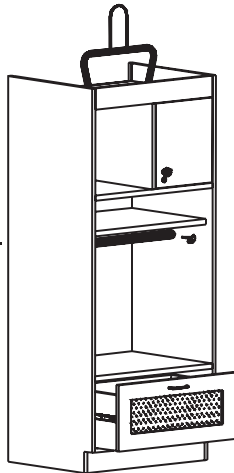
Football Open Locker with Drawer



Equipment:

- Top rail is large enough to support 2 1/2" H name plate (order separately)
- Unit equipped when open cubby and a combination locked cupboard at top
- (1) clothes hanger rod
- (2) clothing hooks
- Underneath fixed bench seat is a vented drawer for additional storage
- Helmet and should pad support made of 1" tube steel with powder coat finish

Catalog Number	Width	Height	Depth
AFDV2472	24"	72"	24"
AFDV2772	27"	72"	24"
AFDV3072	30"	72"	24"
AFDV3372	33"	72"	24"
AFDV3672	36"	72"	24"

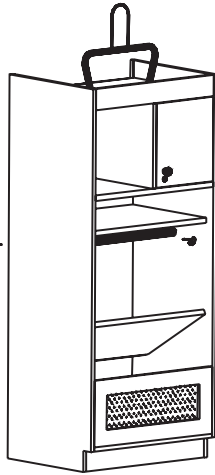


Equipment:

- Top rail is large enough to support 2 1/2" H name plate (order separately)
- Unit equipped when open cubby and a combination locked cupboard at top
- (1) clothes hanger rod
- (2) clothing hooks
- Underneath fixed bench seat is a vented drawer for additional storage
- Drawer face has perforated epoxy coated steel panel insert
- Helmet and should pad support made of 1" tube steel with powder coat finish

Catalog Number	Width	Height	Depth
AFDP2472	24"	72"	24"
AFDP2772	27"	72"	24"
AFDP3072	30"	72"	24"
AFDP3372	33"	72"	24"
AFDP3672	36"	72"	24"

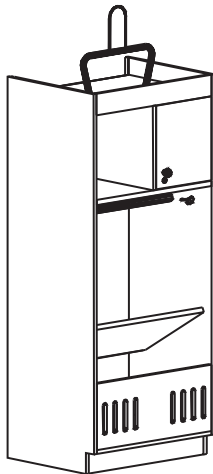
Football Open Locker with Lift-Seat Storage



Equipment:

- Top rail is large enough to support 2 1/2" H name plate (order separately)
- Unit equipped when open cubby and a combination locked cupboard at top
- (1) fixed shelf
- (1) clothes hanger rod
- (2) clothing hooks
- Underneath fixed bench seat is additional storage
- Face panel for storage area has a perforated epoxy coated steel panel insert
- Helmet and should pad support made of 1" tube steel with powder coat finish

Catalog Number	Width	Height	Depth
AFTP2472	24"	72"	24"
AFTP2772	27"	72"	24"
AFTP3072	30"	72"	24"
AFTP3372	33"	72"	24"
AFTP3672	36"	72"	24"



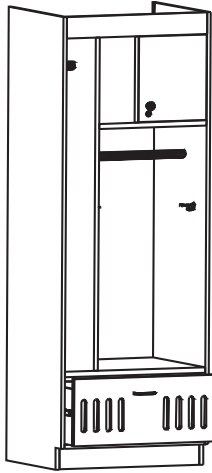
Equipment:

- Top rail is large enough to support 2 1/2" H name plate (order separately)
- Unit equipped when open cubby and a combination locked cupboard at top
- (1) fixed shelf
- (1) clothes hanger rod
- (2) clothing hooks
- Underneath fixed bench seat is additional storage
- Face panel for storage area is vented
- Helmet and should pad support made of 1" tube steel with powder coat finish

Catalog Number	Width	Height	Depth
AFTV2472	24"	72"	24"
AFTV2772	27"	72"	24"
AFTV3072	30"	72"	24"
AFTV3372	33"	72"	24"
AFTV3672	36"	72"	24"

Wood Athletics & Cubbies

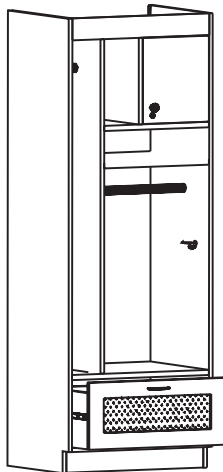
Basketball Open Locker with Drawer



Equipment:

- Top rail is large enough to support 2 1/2" H name plate (order separately)
- Unit equipped with open cubby and a combination locked cupboard at top
- (1) clothes hanger rod
- (2) clothing hooks
- Underneath fixed bench seat is a vented drawer for additional storage
- Side compartment with coat rod

Catalog Number	Width	Height	Depth
ABDV2484	24"	84"	24"
ABDV2784	27"	84"	24"
ABDV3084	30"	84"	24"

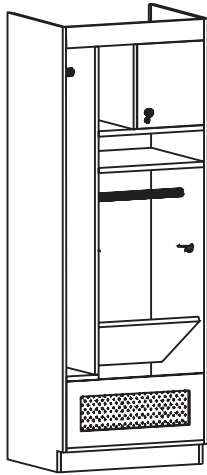


Equipment:

- Top rail is large enough to support 2 1/2" H name plate (order separately)
- Unit equipped with open cubby and a combination locked cupboard at top
- (1) fixed shelf
- (1) clothes hanger rod
- (2) clothing hooks
- Underneath fixed bench seat is a vented drawer for additional storage
- Drawer face has a perforated epoxy coated steel panel insert

Catalog Number	Width	Height	Depth
ABDP2484	24"	84"	24"
ABDP2784	27"	84"	24"
ABDP3084	30"	84"	24"

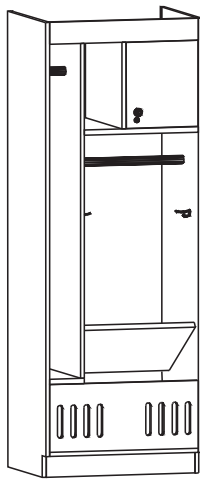
Basketball Open Locker with Lift-Seat Storage



Equipment:

- Top rail is large enough to support 2 1/2" H name plate (order separately)
- Unit equipped with open cubby and a combination locked cupboard at top
- (1) fixed shelf
- (1) clothes hanger rod
- (2) clothing hooks
- Underneath hinged bench seat is additional storage
- Face panel of storage area has a perforated epoxy coated steel panel insert

Catalog Number	Width	Height	Depth
ABTP2484	24"	84"	24"
ABTP2784	27"	84"	24"
ABTP3084	30"	84"	24"



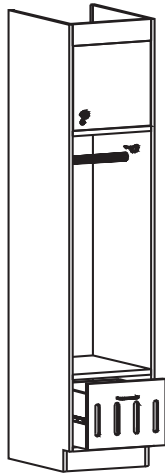
Equipment:

- Top rail is large enough to support 2 1/2" H name plate (order separately)
- Unit equipped with open cubby and a combination locked cupboard at top
- (1) fixed shelf
- (1) clothes hanger rod
- (2) clothing hooks
- Underneath hinged bench seat is additional storage
- Face panel of storage area is vented

Catalog Number	Width	Height	Depth
ABTV2484	24"	84"	24"
ABTV2784	27"	84"	24"
ABTV3084	30"	84"	24"

Wood Athletics & Cubbies

Golf Open Locker with Drawer



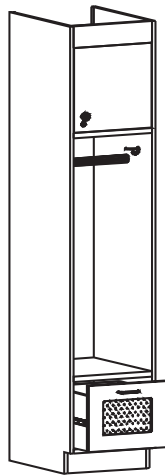
Equipment:

- Top rail is large enough to support 2 1/2" H name plate (order separately)
- Unit equipped with open cubby and a combination locked cupboard at top
- (1) clothes hanger rod
- (2) clothing hooks
- Underneath fixed bench seat is a vented drawer for additional storage

Catalog Number	Width	Height	Depth
AGDV1884	18"	84"	24"
AGDV2184	21"	84"	24"
AGDV2484	24"	84"	24"

Same as above, except without drawer. Seat lifts to storage area underneath

Catalog Number	Width	Height	Depth
AGTV1884	18"	84"	24"
AGTV2184	21"	84"	24"
AGTV2484	24"	84"	24"



Equipment:

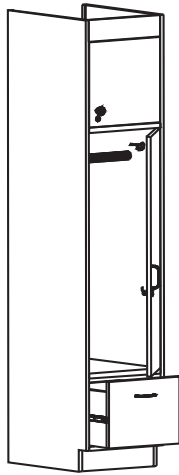
- Top rail is large enough to support 2 1/2" H name plate (order separately)
- Unit equipped with open cubby and a combination locked cupboard at top
- (1) fixed shelf
- (1) clothes hanger rod
- (2) clothing hooks
- Underneath fixed bench seat is a vented drawer for additional storage
- Drawer face has a perforated epoxy coated steel panel insert

Catalog Number	Width	Height	Depth
AGDP1884	18"	84"	24"
AGDP2184	21"	84"	24"
AGDP2484	24"	84"	24"

Same as above, except without drawer. Seat lifts to storage area underneath

Catalog Number	Width	Height	Depth
AGTP1884	18"	84"	24"
AGTP2184	21"	84"	24"
AGTP2484	24"	84"	24"

Golf Open Locker with Lift-Seat Storage



Equipment:

- Top rail is large enough to support 2 1/2" H name plate (order separately)
- Unit equipped with open cubby and a combination locked cupboard at top
- (1) fixed shelf
- (1) clothes hanger rod
- (2) clothing hooks
- Underneath fixed bench seat is additional drawer storage
- Face panel of storage area has a perforated epoxy coated steel panel insert

Catalog Number	Width	Height	Depth
AGDN1884	18"	84"	24"
AGDN2184	21"	84"	24"
AGDN2484	24"	84"	24"

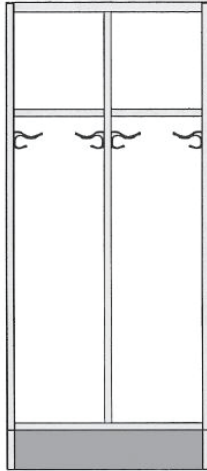
Mechanical Combination/Key Lock Pull



This lock is designed to be used on an extensive range of wood doors. Intuitive mechanical code entry lock has a mechanical key override and the ability for the user to set and change their own personal entry code. It is supplied with a choice of cams and can be set to left or right hand mode by the flick of a switch on the rear of the lock. This lock must be specified.

Wood Athletics & Cubbies

Open, 2 Unit, Upper Cubby, Locker & Lower Cubby



- 48" H units are recommended for Pre-K, Kindergarten & Early Years
- 60" H units are appropriate for Elementary through High School applications
- Equipped with (2) hanging hooks in each locker compartment and finished top
- No Doors, standard

Catalog Number: 7430

Dimensions of Components	Width	Height	Depth
Overall	21"	48"	12"
(2) Upper Cubbies	9 3/8"	11 1/4"	10 3/4"
(2) Lower Cubbies	9 3/8"	11 1/4"	10 3/4"

Catalog Number: 7432

Dimensions of Components	Width	Height	Depth
Overall	24"	48"	12"
(2) Upper Cubbies	10 3/8"	11 1/4"	10 3/4"
(2) Lower Cubbies	10 3/8"	11 1/4"	10 3/4"

Catalog Number: 7434

Dimensions of Components	Width	Height	Depth
Overall	30"	48"	12"
(2) Upper Cubbies	13 7/8"	11 1/4"	10 3/4"
(2) Lower Cubbies	13 7/8"	11 1/4"	10 3/4"

Catalog Number: 7436

Dimensions of Components	Width	Height	Depth
Overall	21"	60"	12"
(2) Upper Cubbies	9 3/8"	11 1/4"	10 3/4"
(2) Lower Cubbies	9 3/8"	11 1/4"	10 3/4"

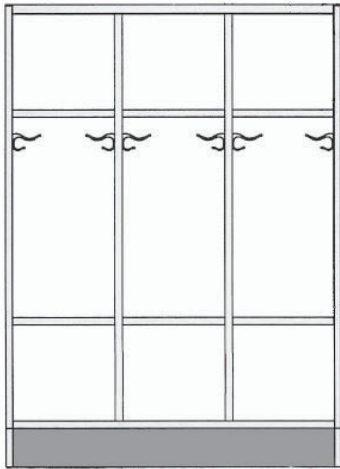
Catalog Number: 7438

Dimensions of Components	Width	Height	Depth
Overall	24"	60"	12"
(2) Upper Cubbies	10 3/8"	11 1/4"	10 3/4"
(2) Lower Cubbies	10 3/8"	11 1/4"	10 3/4"

Catalog Number: 7440

Dimensions of Components	Width	Height	Depth
Overall	30"	60"	12"
(2) Upper Cubbies	13 7/8"	11 1/4"	10 3/4"
(2) Lower Cubbies	13 7/8"	11 1/4"	10 3/4"

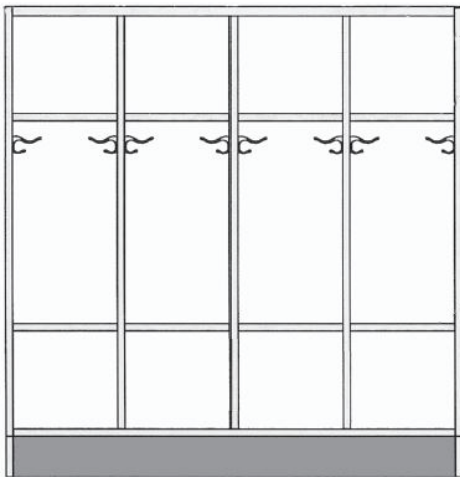
Open, 3 Unit, Upper Cubby, Locker & Lower Cubby



- 48" H units are recommended for Pre-K, Kindergarten & Early Years
- 60" H units are appropriate for Elementary through High School applications
- Equipped with (2) hanging hooks in each locker compartment and finished top
- No Doors, standard

Catalog Number: 7442			
Dimensions of Components	Width	Height	Depth
Overall	35 1/4"	48"	12"
(3) Upper Cubbies	13 7/8"	11 1/4"	10 3/4"
(3) Lower Cubbies	13 7/8"	11 1/4"	10 3/4"

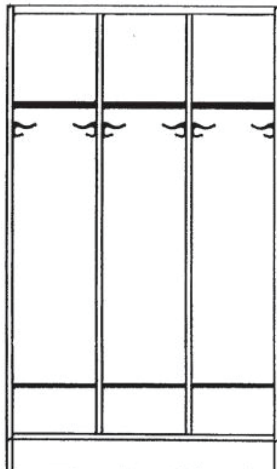
Open, 4 Unit, Upper Cubby, Locker & Lower Cubby



- 48" H units are recommended for Pre-K, Kindergarten & Early Years
- 60" H units are appropriate for Elementary through High School applications
- Equipped with (2) hanging hooks in each locker compartment and finished top
- No Doors, standard

Catalog Number: 7444			
Dimensions of Components	Width	Height	Depth
Overall	47 1/4"	48"	12"
(4) Upper Cubbies	13 7/8"	11 1/4"	10 3/4"
(4) Lower Cubbies	13 7/8"	11 1/4"	10 3/4"

Open, 3 Locker Unit

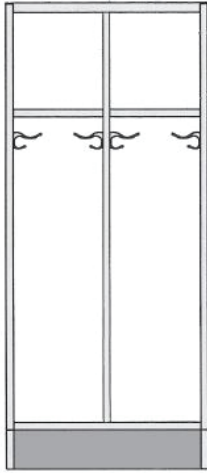


- 48" H units are recommended for Pre-K, Kindergarten & Early Years
- 60" H units are appropriate for Elementary through High School applications
- No seating area provided, lower portion has slant shoe shelf/storage area
- Equipped with (2) hanging hooks
- Unit has a finished top
- No doors, standard

Catalog Number: 7446			
Dimensions of Components	Width	Height	Depth
Overall	35 1/4"	48"	12"
(2) Upper Cubbies	10 3/4"	11 1/4"	10 3/4"

Wood Athletics & Cubbies

Open, 2 Unit, Upper Cubby, Locker Storage

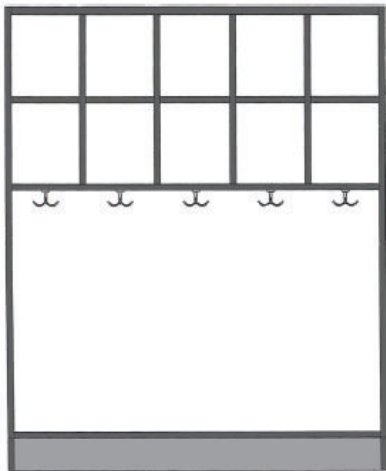


- 48" H units are recommended for Pre-K, Kindergarten & Early Years
- 60" H units are appropriate for Elementary through High School applications
- Equipped with (2) hanging hooks in each locker compartment and finished top
- No Doors, standard

Catalog Number: 7447			
Dimensions of Components	Width	Height	Depth
Overall	21"	48"	12"
(2) Cubbies	9 3/8"	11 1/4"	10 3/4"

Catalog Number: 7448			
Dimensions of Components	Width	Height	Depth
Overall	21"	60"	12"
(2) Cubbies	9 3/8"	11 1/4"	10 3/4"

Open, 5 Unit, Upper Double Cubbies, Locker Storage



- 48" H units are recommended for Pre-K, Kindergarten & Early Years
- 60" H units are appropriate for Elementary through High School applications
- Equipped with (5) double hanging hooks and finished top
- No Doors, standard

Catalog Number: 7428			
Dimensions of Components	Width	Height	Depth
Overall	47 1/4"	60"	14"
(10) Cubbies	8 1/2"	10"	12 3/4"

Open, 3 Locker Unit with Seat Area



- 48" H units are recommended for Pre-K, Kindergarten & Early Years
- 60" H units are appropriate for Elementary through High School applications
- End panels of three unit section have decorative curved angle at seating height
- Lower cubby back and 'floor' are plastic laminate on plywood, specify color selection
- Each locker area equipped with (2) hanging hooks
- Unit has finished top

Catalog Number: 7420

Dimensions of Components	Width	Height	Depth
Overall	35 1/4"	60"	24"

Open, 3 Locker Unit with Cubby Double Upper and Single Lower Cubby Storage Areas



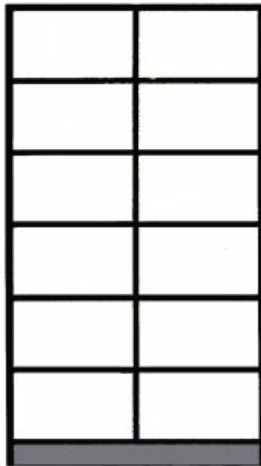
- 48" H units are recommended for Pre-K, Kindergarten & Early Years
- 60" H units are appropriate for Elementary through High School applications
- End panels and divider panels of three unit section have decorative curved angle at base of locker area
- (2) lower cubbies per locker section
- Each locker area equipped with (1) double hanging hook
- Unit has finished top

Catalog Number: 7426

Dimensions of Components	Width	Height	Depth
Overall	35 1/4"	60"	14"

Wood Athletics & Cubbies

Open, Bin Storage Units



Catalog Number: 7480			
Dimensions of Components	Width	Height	Depth

Overall	18"	84"	22 1/2"
(6) Cubbies	16 1/2"	12 1/4"	21 1/4"

Catalog Number: 7482			
Dimensions of Components	Width	Height	Depth

Overall	21"	84"	22 1/2"
(6) Cubbies	19 1/2"	12 1/4"	21 1/4"

Catalog Number: 7484			
Dimensions of Components	Width	Height	Depth

Overall	24"	84"	22 1/2"
(6) Cubbies	22 1/2"	12 1/4"	21 1/4"

Catalog Number: 7486			
Dimensions of Components	Width	Height	Depth

Overall	30"	84"	22 1/2"
(12) Cubbies	13 7/8"	12 1/4"	21 1/4"

Catalog Number: 7488			
Dimensions of Components	Width	Height	Depth

Overall	35 1/4"	84"	22 1/2"
(12) Cubbies	16 1/2"	12 1/4"	21 1/4"

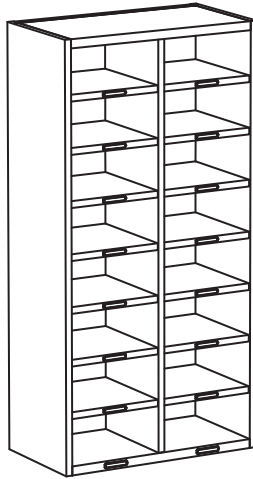
Catalog Number: 7490			
Dimensions of Components	Width	Height	Depth

Overall	41 1/4"	84"	22 1/2"
(12) Cubbies	19 1/2"	12 1/4"	21 1/4"

Catalog Number: 7492			
Dimensions of Components	Width	Height	Depth

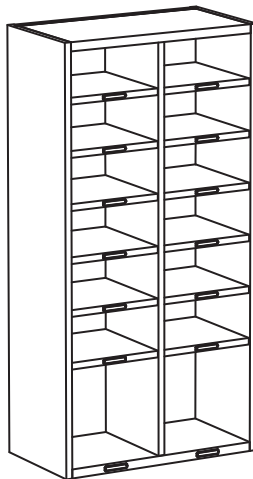
Overall	47 1/4"	84"	22 1/2"
(12) Cubbies	22 1/2"	12 1/4"	21 1/4"

Mailboxes



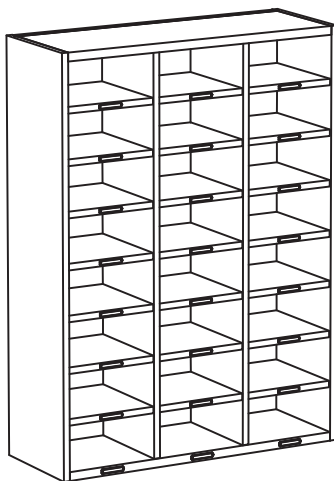
- Constructed of hardwood plywood in selected species
- 3/4" thick vertical and horizontal dividers
- 1" thick top and bottom
- 9/16" x 2 13/16" aluminum label holder for each compartment

Catalog Number: 5148MB			
Dimensions of Components	Width	Height	Depth
Overall	24"	48"	13"
(16) Compartments	10 7/8"	5"	-



- Constructed of hardwood plywood in selected species
- 3/4" thick vertical and horizontal dividers
- 1" thick top and bottom
- 9/16" x 2 13/16" aluminum label holder for each compartment

Catalog Number: 5148MBC			
Dimensions of Components	Width	Height	Depth
Overall	24"	48"	13"
(12) Compartments	10 7/8"	5"	-
(2) Compartments	10 7/8"	11"	-

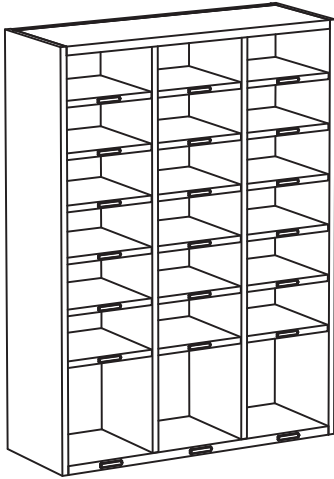


- Constructed of hardwood plywood in selected species
- 3/4" thick vertical and horizontal dividers
- 1" thick top and bottom
- 9/16" x 2 13/16" aluminum label holder for each compartment

Catalog Number: 5152MB			
Dimensions of Components	Width	Height	Depth
Overall	35 1/4" or 36"	48"	13"
(24) Compartments	10 3/4"	5"	-

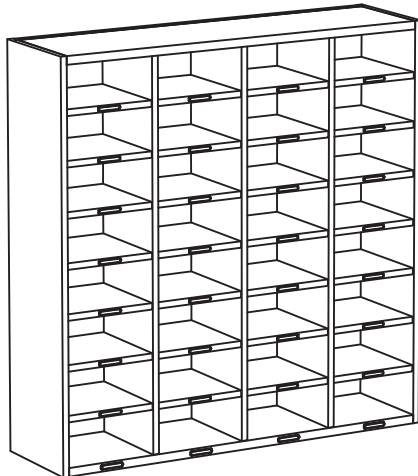
Wood Mailboxes

Mailboxes



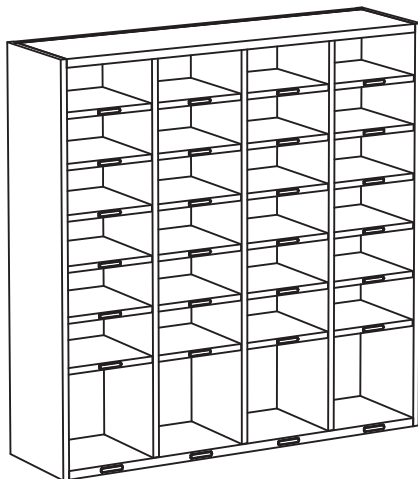
- Constructed of hardwood plywood in selected species
- 3/4" thick vertical and horizontal dividers
- 1" thick top and bottom
- 9/16" x 2 13/16" aluminum label holder for each compartment

Catalog Number: 5152MBC			
Dimensions of Components	Width	Height	Depth
Overall	35 1/4" or 36"	48"	13"
(18) Compartments	10 3/4"	5"	-
(3) Compartments	10 3/4"	11"	-



- Constructed of hardwood plywood in selected species
- 3/4" thick vertical and horizontal dividers
- 1" thick top and bottom
- 9/16" x 2 13/16" aluminum label holder for each compartment

Catalog Number: 5156MBC			
Dimensions of Components	Width	Height	Depth
Overall	47 1/4" or 48"	48"	13"
(32) Compartments	10 3/4"	5"	-

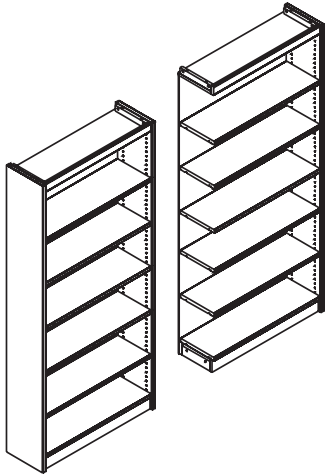


- Constructed of hardwood plywood in selected species
- 3/4" thick vertical and horizontal dividers
- 1" thick top and bottom
- 9/16" x 2 13/16" aluminum label holder for each compartment

Catalog Number: 5156MBC			
Dimensions of Components	Width	Height	Depth
Overall	47 1/4" or 48"	48"	13"
(24) Compartments	10 3/4"	5"	-
(4) Compartments	10 3/4"	11"	-

Wood Library Furniture

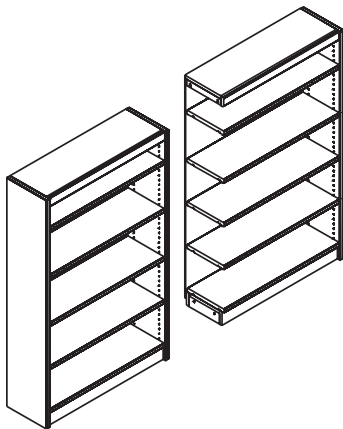
Library Shelving, 82" High Single Face



- Adjustable book shelving has 1" thick plywood shelves with solid lumber edge band on front & back edges
 - Unit comes with (6) shelves, bottom and (5) adjustable; with hole and pin adjustment on 32mm centers
 - Unit has a full height back and standard top is wood
- * For a continuous plastic laminate top, change "W" in the catalog number to "C".

Catalog Number	Unit	Depth
SHW3612SB*	37" W Starter	12"
SHW3612AB*	36" W Adder	12"

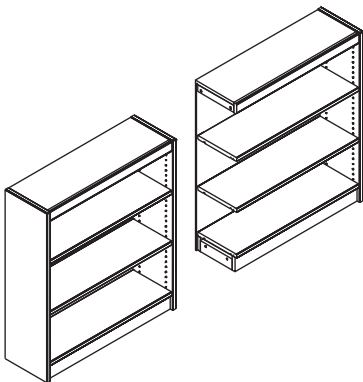
Library Shelving, 60" High Single Face



- Adjustable book shelving has 1" thick plywood shelves with solid lumber edge band on front & back edges
 - Unit comes with (5) shelves, bottom and (4) adjustable; with hole and pin adjustment on 32mm centers
 - Unit has a full height back and standard top is wood
- * For a continuous plastic laminate top, change "W" in the catalog number to "C".

Catalog Number	Unit	Depth
SMW3612SB*	37" W Starter	12"
SMW3612AB*	36" W Adder	12"

Library Shelving, 42" High Single Face

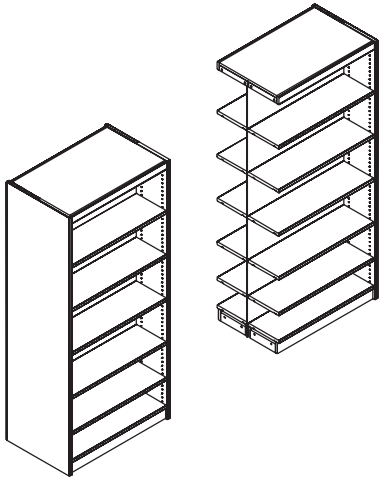


- Adjustable book shelving has 1" thick plywood shelves with solid lumber edge band on front & back edges
 - Unit comes with (4) shelves, bottom and (2) adjustable; with hole and pin adjustment on 32mm centers
 - Unit has a full height back and standard top is wood
- * For a continuous plastic laminate top, change "W" in the catalog number to "C".

Catalog Number	Unit	Depth
SLW3612SB*	37" W Starter	12"
SLW3612AB*	36" W Adder	12"

Wood Library Furniture

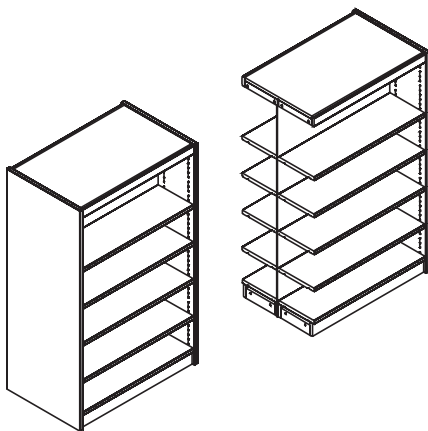
Library Shelving, 82" High Double Face



- Adjustable book shelving has 1" thick plywood shelves with solid lumber edge band on front & back edges
 - Unit comes with (12) shelves, (2) bottom and (10) adjustable; with hole and pin adjustment on 32mm centers
 - Unit has a full height back and standard top is wood
- * For a continuous plastic laminate top, change "W" in the catalog number to "C".

Catalog Number	Unit	Depth
SHW3623SB*	37" W Starter	23"
SHW3623AB*	36" W Adder	23"

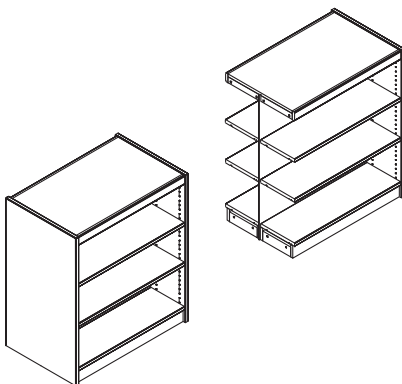
Library Shelving, 60" High Double Face



- Adjustable book shelving has 1" thick plywood shelves with solid lumber edge band on front & back edges
 - Unit comes with (10) shelves, (2) bottom and (8) adjustable; with hole and pin adjustment on 32mm centers
 - Unit has a full height back and standard top is wood
- * For a continuous plastic laminate top, change "W" in the catalog number to "C".

Catalog Number	Unit	Depth
SMW3623SB*	37" W Starter	23"
SMW3623AB*	36" W Adder	23"

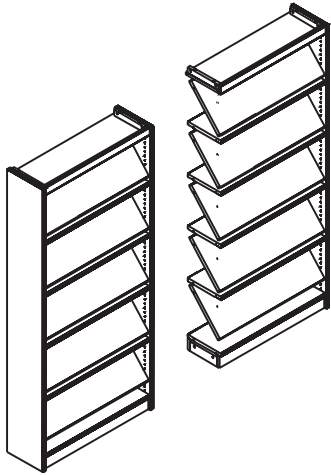
Library Shelving, 42" High Double Face



- Adjustable book shelving has 1" thick plywood shelves with solid lumber edge band on front & back edges
 - Unit comes with (6) shelves, (2) bottom and (4) adjustable; with hole and pin adjustment on 32mm centers
 - Unit has a full height back and standard top is wood
- * For a continuous plastic laminate top, change "W" in the catalog number to "C".

Catalog Number	Unit	Depth
SLW3623SB*	37" W Starter	23"
SLW3623AB*	36" W Adder	23"

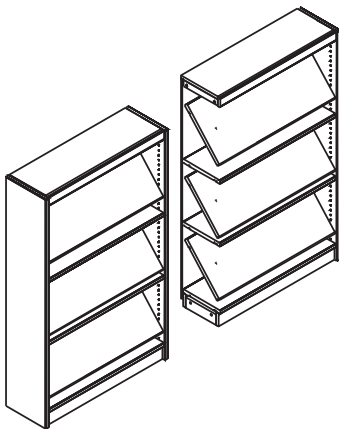
Magazine Shelving, 82" High



- Single face magazine shelving unit has five (double has ten) adjustable sets of sloping, raised edge magazine display shelves with a flat shelf beneath for storing back issues.
- Unit has a full height back and standard top is wood
- * For a continuous plastic laminate top, change "W" in the unit number to "C".

Single Face		
Catalog Number	Unit	Depth
MHW3612SB*	37" W Starter	12"
MHW3612AB*	36" W Adder	12"
Double Face		
Catalog Number	Unit	Depth
MHW3623SB*	37" W Starter	23"
MHW3623AB*	36" W Adder	23"

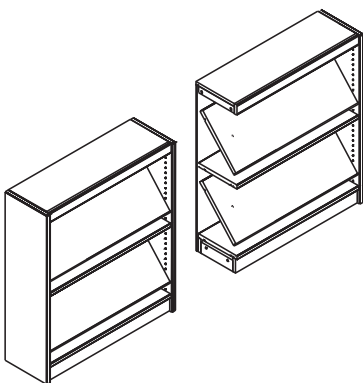
Magazine Shelving, 60" High



- Single face magazine shelving unit has three (double has six) adjustable sets of sloping, raised edge magazine display shelves with a flat shelf beneath for storing back issues.
- Unit has a full height back and standard top is wood
- * For a continuous plastic laminate top, change "W" in the unit number to "C".

Single Face		
Catalog Number	Unit	Depth
MMW3612SB*	37" W Starter	12"
MMW3612AB*	36" W Adder	12"
Double Face		
Catalog Number	Unit	Depth
MMW3623SB*	37" W Starter	23"
MMW3623AB*	36" W Adder	23"

Magazine Shelving, 42" High

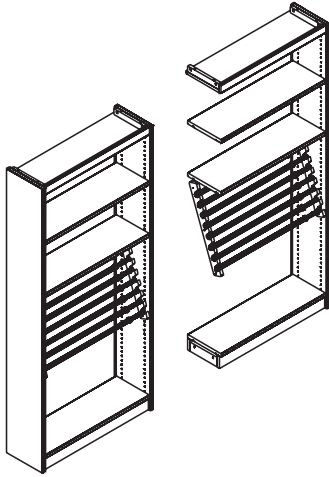


- Single face magazine shelving unit has two (double has four) adjustable sets of sloping, raised edge magazine display shelves with a flat shelf beneath for storing back issues.
- Unit has a full height back and standard top is wood
- * For a continuous plastic laminate top, change "W" in the unit number to "C".

Single Face		
Catalog Number	Unit	Depth
MLW3612SB*	37" W Starter	12"
MLW3612AB*	36" W Adder	12"
Double Face		
Catalog Number	Unit	Depth
MLW3623SB*	37" W Starter	23"
MLW3623AB*	36" W Adder	23"

Wood Library Furniture

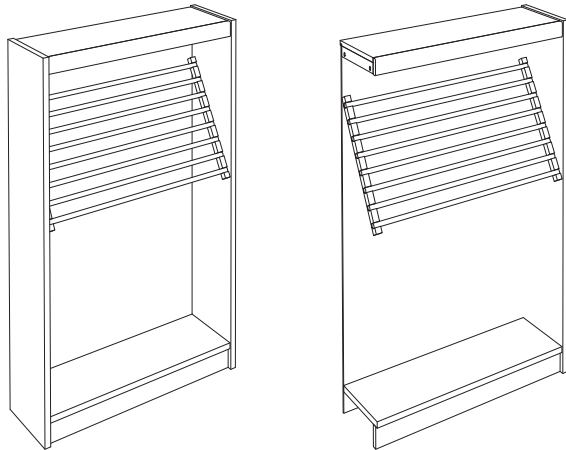
Newspaper Shelving, 82" High



- Single newspaper unit has two (double has four) 1" adjustable shelves over an inclined rack containing eight hardwood newspaper wands (double has two racks)
- Unit has a full height back and standard top is wood
- * For a continuous plastic laminate top, change "W" in the unit number to "C".

Single Face		
Catalog Number	Unit	Depth
NHW3612SB*	37" W Starter	12"
NHW3612AB*	36" W Adder	12"
Double Face		
Catalog Number	Unit	Depth
NHW3623SB*	37" W Starter	23"
NHW3623AB*	36" W Adder	23"

Newspaper Shelving, 60" High

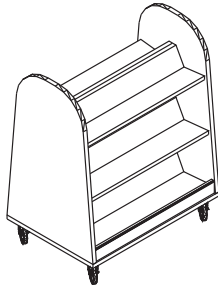


- Single newspaper unit has one inclined rack containing eight hardwood newspaper wands. Double has two racks.
- Unit has a full height back and standard top is wood
- * For a continuous plastic laminate top, change "W" in the unit number to "C".

Single Face		
Catalog Number	Unit	Depth
NMW3612SB*	37" W Starter	12"
NMW3612AB*	36" W Adder	12"
Double Face		
Catalog Number	Unit	Depth
NMW3623SB*	37" W Starter	23"
NMW3623AB*	36" W Adder	23"

Wood Library Furniture

Double Faced Book Truck

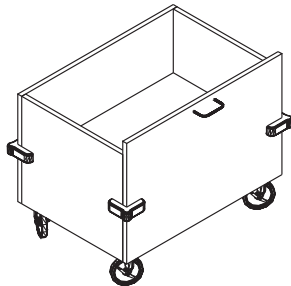


- (6) fixed, slanted shelves
- (4) heavy duty casters: (2) rigid, (2) swivel and lock

Catalog Number: CDC36BTD

Dimensions of Components	Width	Height	Depth
Overall	35 3/4"	42"	24"

Depressible Book Receiving Truck

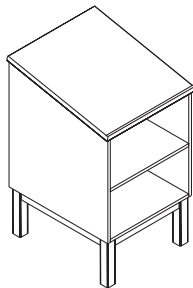


- Fits under 39" circulation desk
- The depressible platform is plastic laminated and mounted on a spring mechanism
- Equipped with rubber bumper guards placed midway up each corner
- (4) heavy duty casters: (2) rigid, (2) swivel and lock

Catalog Number: CDC7436

Dimensions of Components	Width	Height	Depth
Overall	30"	27 3/4"	21"

Dictionary Stand

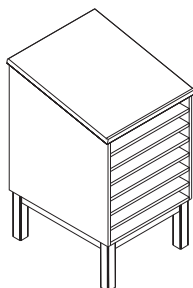


- Sloped top has plastic laminate surface with edge band of solid oak
- Edge band is applied after lamination
- A book retainer is positioned along the bottom edge of the sloped top
- Full height plywood back is recessed into the end panels which are finished with solid oak edge band
- Equipped with (1) adjustable shelf and bottom shelf is fixed
- Stand sits on a table frame base

Catalog Number: CDS1218FB

Dimensions of Components	Width	Height	Depth
Overall	25"	44 1/2"	29"

Atlas Stand



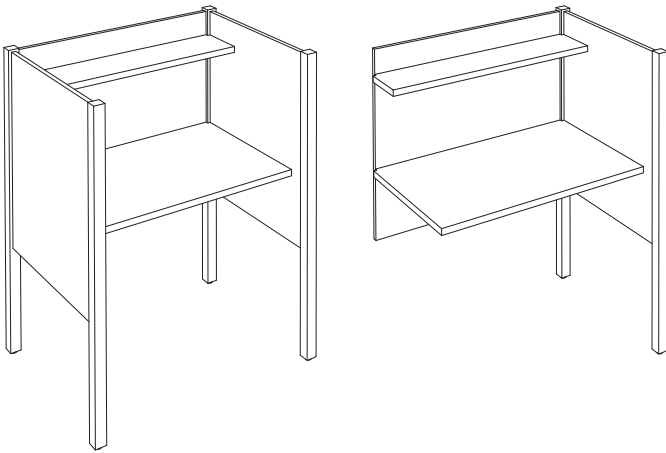
- Sloped top has plastic laminate surface with edge band of solid oak
- Edge band is applied after lamination
- A book retainer is positioned along the bottom edge of the sloped top
- Full height plywood back is recessed into the end panels which are finished with solid oak edge band
- Equipped with (6) pullout shelves on nylon roller slides
- Stops on shelves prevent accidental removal
- Stand sits on a table frame base

Catalog Number: CAS1218FB

Dimensions of Components	Width	Height	Depth
Overall	25"	44 1/2"	29"

Wood Library Furniture

Study Carrels

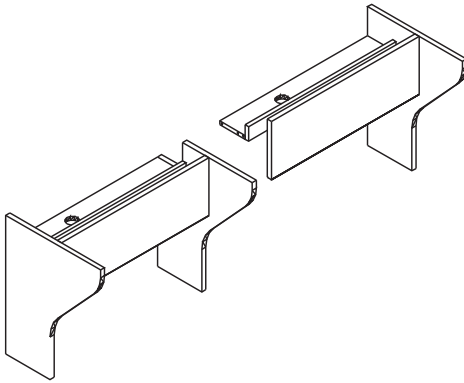


- Post and panel carrels with 1 3/4" solid red oak posts and 3/4" panels edge banded with 1/2" hardwood
- Panels are connected to posts by concealed spring steel clips and shoulder screws
- Top and shelf are 1" plastic laminate with 1/4" hardwood band
- Carrels are 30" deep

48" High		
Catalog Number	Unit	Width
BHL3630S	Starter	38 1/2"
BHL3630A	Adder	36 3/4"
BHL3030S	Starter	32 1/2"
BHL3030A	Added	30 3/4"

45" High		
Catalog Number	Unit	Width
BLL3630S	Starter	38 1/2"
BLL3630A	Adder	36 3/4"
BLL3030S	Starter	32 1/2"
BLL3030A	Added	30 3/4"

Computer Work Stations

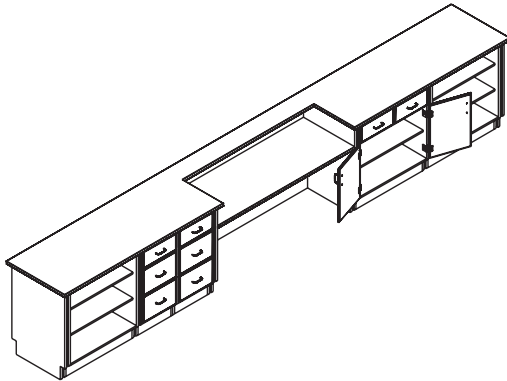


- Work stations are 30" high and 30" deep and have a 1 1/4" thick plastic laminate top, edge banded with 1/2" solid hardwood band
- Each station is equipped with a 2 1/2" grommet
- Stand alone starter units have full end panels; however, when combined with add on units intermediate support panels are notched to create a wiring chase.
- The end unit of the computer work station assembly will have a full, un-notched, end panel

Catalog Number	Unit	Width	Height	Depth
CLC3630S	36" W Starter	37"	30 1/4"	30"
CLC3030S	30" W Starter	31"	30 1/4"	30"
CLC3630A	36" W Adder	36"	30 1/4"	30"
CLC3030A	30" W Adder	30"	30 1/4"	30"

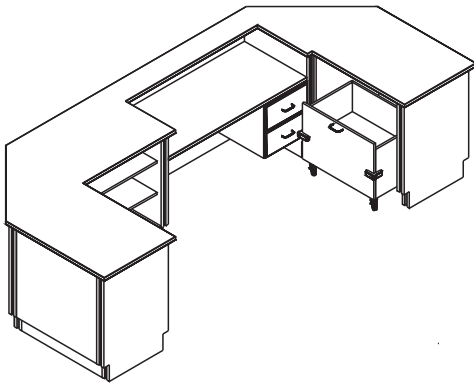
Wood Library Furniture

Straight Line Circulation Desk Assembly



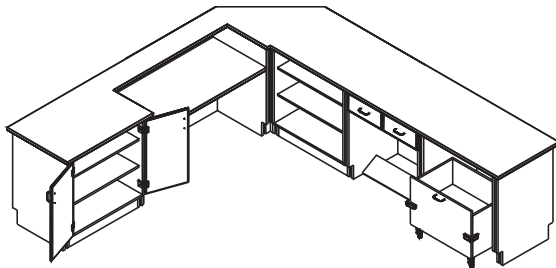
Components Illustrated		
Quantity	Catalog Number	Description
2	CDC1494FB	Shelf Units
2	CDC1430FB	Drawer Units
1	KLC7230N	Desk Work Area
1	CDC1574FB	Drawer and Cupboard Unit

U-Shaped Circulation Desk



Components Illustrated		
Quantity	Catalog Number	Description
1	CDC7436	Book Cart
1	CDC1494BD	Open Unit (for book cart)
1	KLC6030N	Desk Work Area
1	SDM2546FB	Drawer Unit
1	KLC6030N	Desk Work Area
1	CDC1474FB	Shelf Unit
1	KLC3030N	Computer Carrel

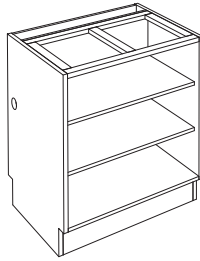
L-Shaped Circulation Desk



Components Illustrated		
Quantity	Catalog Number	Description
1	CDC1506FB	Shelf Cupboard
1	KLC6030N	Desk Work Area
1	CDC1474FB	Shelf Unit
1	KMC3630D	Work Area
1	CDC7436	Book Cart
1	CDC1494BD	Open Unit (for book cart)

Wood Library Furniture

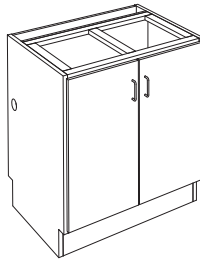
Open Shelf Cabinet



- (2) adjustable shelves

Catalog Number	Width	Height
CDC1204FB	18 1/2"	39"
CDC1206FB	21 1/2"	39"
CDC1494FB	35 3/4"	39"
CDC1496FB	41 3/4"	39"

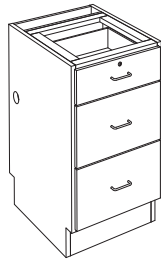
Shelf Cabinet with Doors



- (2) adjustable shelves
- 3/4" thick doors

Catalog Number	Width	Height
CDC1506FB	35 3/4"	39"
CDC1508FB	41 3/4"	39"

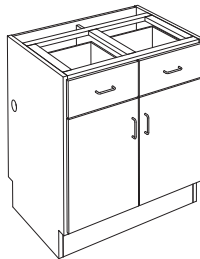
Drawer Cabinet



- (1) locked storage drawer
- (2) file drawers

Catalog Number	Width	Height
CDC1430FB	18 1/2"	39"
CDC1432FB	21 1/2"	39"

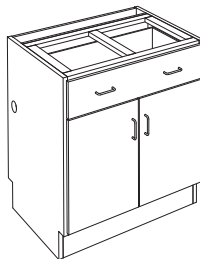
Drawers Over Shelf Cabinet



- (2) drawers
- (1) adjustable shelf
- 3/4" thick doors

Catalog Number	Width	Height
CDC1574FB	35 3/4"	39"
CDC1576FB	41 3/4"	39"

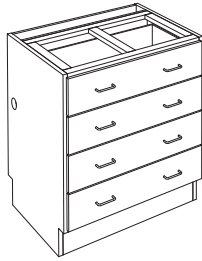
Open Shelf Cabinet



- (1) full-width drawer
- (1) adjustable shelf
- 3/4" thick doors

Catalog Number	Width	Height
CDC1550FB	35 3/4"	39"
CDC1552FB	41 3/4"	39"

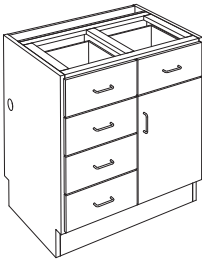
Drawer Cabinet



- (4) full-width storage drawers

Catalog Number	Width	Height
CDC1960FB	35 3/4"	39"
CDC1962FB	41 3/4"	39"

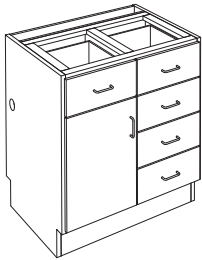
Drawer and Cupboard Cabinet



- (5) drawers
- (1) adjustable shelf in cupboard on right
- 3/4" thick door

Catalog Number	Width	Height
CDC1798FB	35 3/4"	39"
CDC1800FB	41 3/4"	39"

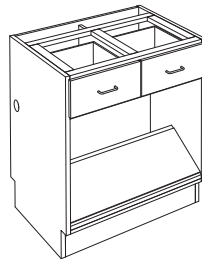
Drawer and Cupboard Cabinet



- (5) drawers
- (1) adjustable shelf in cupboard on left
- 3/4" thick door

Catalog Number	Width	Height
CDC1810FB	35 3/4"	39"
CDC1812FB	41 3/4"	39"

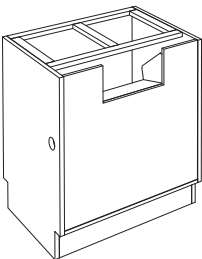
Work Station Cabinet



- (2) drawers
- Footrest with ribbed rubber mat

Catalog Number	Width	Height
KMC3630DDF	35 3/4"	39"

Book Truck Port

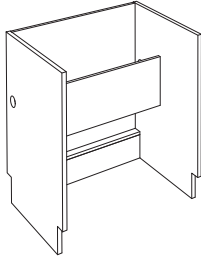


- Book return chute
- Order book truck separately

Catalog Number	Width	Height
CDC1494D	35 3/4"	39"

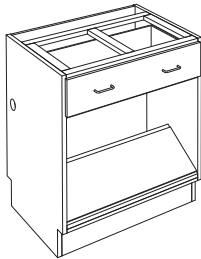
Wood Library Furniture

Open Knee Space Unit



Catalog Number	Width	Height
KMC3630	35 3/4"	39"

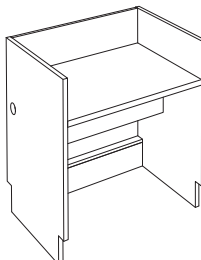
Open Unit with Drawer



- (1) full-width drawer
- Foot rest with ribbed rubber mat

Catalog Number	Width	Height
KMC3630DF	35 3/4"	39"

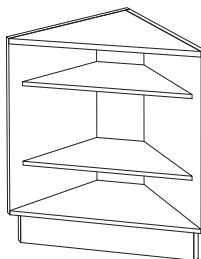
Desk Unit



- 29" H x 27" D fixed work surface with grommet

Catalog Number	Width	Height
KLC3630N	35 3/4"	39"
KLC4230N	41 3/4"	39"
KLC6030N	60"	39"
KLC7230N	72"	39"

90° Open Corner Unit

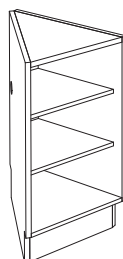


- Used to form a right-angle in a desk arrangement
- (1) fixed base shelf
- (2) adjustable shelves

Catalog Number: CDC1496COR	
Type	Height
90° Open Corner	39"

Catalog Number: CDC90PCOR
Same as CDC1496COR except with no shelves and a fixed front panel

45° Open Corner Unit



- Used to form a right-angle in a desk arrangement
- (1) fixed base shelf
- (2) adjustable shelves

Catalog Number: CDC1206COR	
Type	Height
45° Open Corner	39"

Catalog Number: CDC45PCOR
Same as CDC1206COR except with no shelves and a fixed front panel

Work Desk Assembly



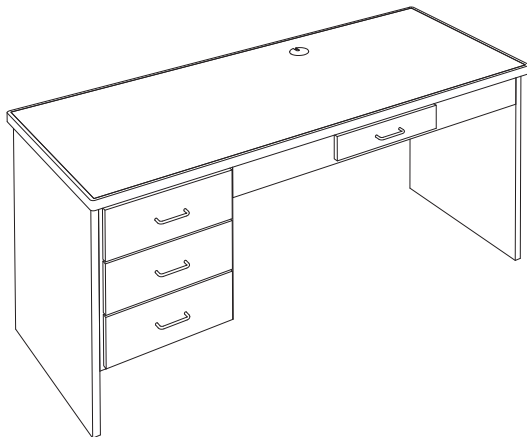
This work desk assembly has two drawer pedestals, one mounted on each side. The left pedestal has a storage drawer over a file drawer, while the right pedestal has three drawers. One centered drawer is mounted in the rail between the two pedestals. Two 3" diameter grommets are located in the work surface. Work surface is 1 1/4" plastic laminate with 1/2" hardwood edge on all four sides.

Assembly Dimensions: 70" W x 30 1/4" H x 30" D

Assembly Catalog Number: WD7030DP

Components Listed Below

Quantity	Catalog Number	Description
2	CDC3030EP	1" thick end panels
1	CDC2506S	(2) drawer pedestal
1	KLC3030A	Knee space with drawer
1	CDC3158S	(3) drawer pedestal
1	CDC70FB	Finished back panel



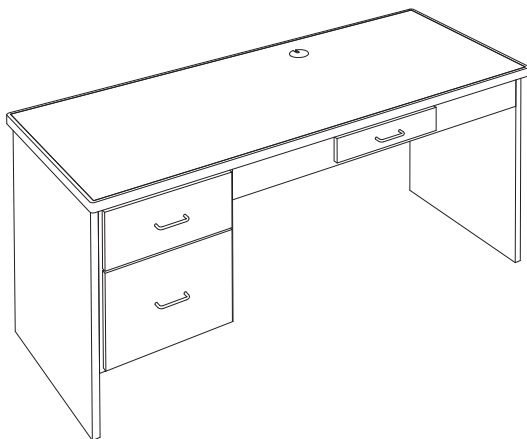
This work desk assembly has one three drawer pedestal mounted on the left side. Two 3" grommets are located on the work surface. Work surface is 1 1/4" plastic laminate with 1/2" hardwood edge on all four sides.

Assembly Dimensions: 70" W x 30 1/4" H x 30" D

Assembly Catalog Number: WD7030SP1

Components Listed Below

Quantity	Catalog Number	Description
2	CDC3030EP	1" thick end panels
1	CDC3158S	(3) drawer pedestal
1	CDC70FB	Finished back panel
1	KLC4830A	Knee space with drawer



This work desk assembly has one storage drawer over file drawer pedestal mounted on the left side. Two 3" grommets are located on the work surface. Work surface is 1 1/4" plastic laminate with 1/2" hardwood edge on all four sides.

Assembly Dimensions: 70" W x 30 1/4" H x 30" D

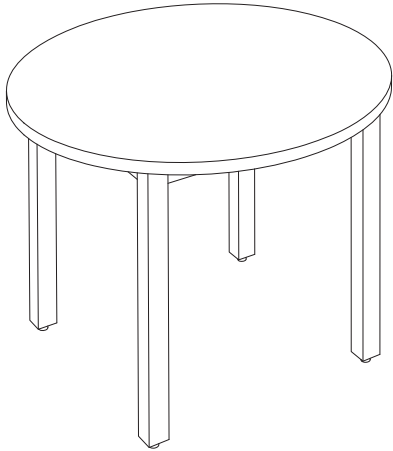
Assembly Catalog Number: WD7030SP2

Components Listed Below

Quantity	Catalog Number	Description
2	CDC3030EP	1" thick end panels
1	CDC2506S	2 file drawer pedestals
1	CDC70FB	Finished back panel
1	KLC4830A	Knee space with drawer

Wood Library Furniture

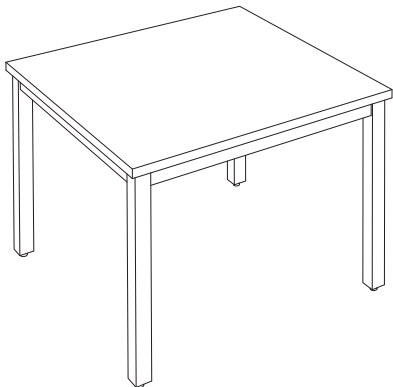
Round Library Table



Tables have apron/rail. To omit apron/rail, change "A" in catalog number to "N".

Catalog Number	Height	Diameter
TLA42	30"	42"
TLA48	30"	48"
TLA60	30"	60"
TEA42	27"	42"
TEA48	27"	48"
TEA60	27"	60"
TKA42	25"	42"
TKA48	25"	48"
TKA60	25"	60"

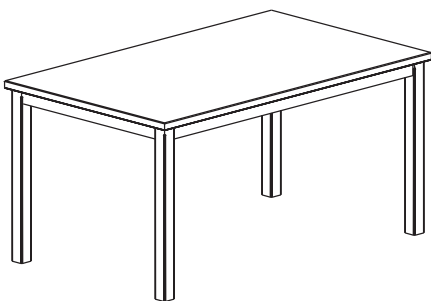
Square Library Table



Tables have apron/rail. To omit apron/rail, change "A" in catalog number to "N".

Catalog Number	Height	Width	Depth
TLA4242	30"	42"	42"
TEA4242	27"	42"	42"
TKA4242	25"	42"	42"
TLA4848	30"	48"	48"
TEA4848	27"	48"	48"
TKA4848	25"	48"	48"

Rectangle Library Table



Tables have apron/rail. To omit apron/rail, change "A" in catalog number to "N".

Catalog Number	Height	Width	Depth
TLA6036	30"	60"	36"
TLA7236	30"	72"	36"
TLA7248	30"	72"	48"
TEA6036	27"	60"	36"
TEA7236	27"	72"	36"
TEA7248	27"	72"	48"
TKA6036	25"	60"	36"
TKA7236	25"	72"	36"
TKA7248	25"	72"	48"

Customized Seating

Select from thousands of seating options, including chairs specifically designed for an educational environment. Select height, materials, features and colors that are most appropriate for your specific tasks or environment. Ergonomics are critical, so our chairs and stools are designed to allow user to make adjustments to seats and backs and to add arms and foot rings where appropriate to provide optimal comfort and support.

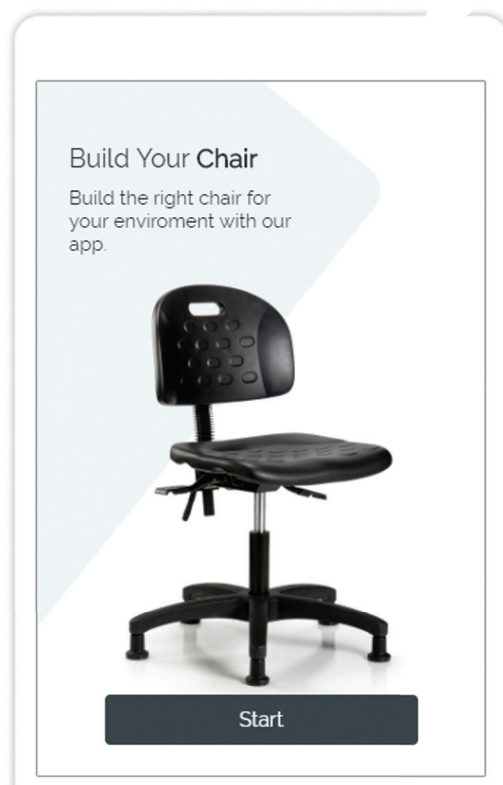
In the following pages, we have provided examples of our popular seating options for education. Any of these can be customized. Please use the link below to create a seating option that will work for you.



Visit our chair configurator

[SEATING.ICISCIENTIFIC.COM](https://seating.iciscientific.com)

Build the seating solution that is right for you



Seating

Wood Chair

Our ergonomic wood chairs are durable, making them ideal for almost any environment. Our wood chairs are constructed with seven-ply furniture grade hardwood. These medium bench height chairs feature your choice of black rolling casters or black glides on a nylon reinforced fiberglass base. Optional foot rings are available in 18 1/4" diameter black nylon reinforced fiberglass or 20" diameter chrome. Each chair is backed by our 15 year warranty, lifetime on the pneumatic lift.



Sample Catalog Number: WMBCH-RG-BF-RC	
Specifications	
Pneumatic Adjustment	18" - 25.5"
Seat Dimensions	17.25" W x 15.5" D x .5" thick
Back Dimensions	15.5" W x 10" D x .5" thick
Footring	18.25" diameter black-durable nylon reinforced fiberglass
Color	Blonde Wood
Seat Material	Seven-ply furniture grade hardwood with natural finish
Feet	Black dual-wheel, self-braking, non-marring casters (suitable for both hard and carpeted floors)
Base Dimensions	24" W x 24" D
Weight Capacity	300 lbs.

Polyurethane Tractor Sit-Stand Stool

Our ergonomic polyurethane tractor stools feature your choice of black rolling, non-marring casters or black, non-marring bell glides on a nylon-reinforced fiberglass base. Our rugged polyurethane round seat is self-skinning, chemical and puncture resistant and fully washable. Optional foot rings are available in 18 1/4" diameter, black nylon reinforced fiberglass or 18" diameter chrome. Each stool is backed by our 15 year warranty, lifetime on the pneumatic cylinder.



Sample Catalog Number: PTMBSO-RG-CF-RG-BLU	
Specifications	
Pneumatic Adjustment	19" - 26.5"
Seat Dimensions	17" W x 14" D x 2.5" thick
Footring	18" Diameter round tube
Color	Blue
Seat Material	Rugged polyurethane that is self-skinning, chemical and puncture resistant, easily cleaned and soil resistant
Feet	Black non-marring bell glides (suitable for both hard and carpeted floors)
Base	Nylon Reinforced Fiberglass Base
Base Dimensions	25" W x 25" D
Weight Capacity	300 lbs.

Polyurethane Chair

Our ergonomic polyurethane chairs adjust to fit most body types and workstations. Optional 6-way adjustable arm rests support a variety of arm placements for proper ergonomics. Our polyurethane chairs are easily cleaned, making them ideal for almost any environment. Choose from black rolling, non-marring casters or black, non-marring bell glides on a nylon reinforced fiberglass base. Optional seat tilt provides 8° forward and 3° backward locking tilt for ergonomic posture support. Optional foot rings are available in 18 1/4" diameter black nylon reinforced fiberglass or 20" diameter chrome. Each chair is backed by our 15 year warranty, lifetime on the pneumatic lift.



Sample Catalog Number: PMBCH-MB-RG-T1-A0-BF-RC-BLK	
Specifications	
Pneumatic Adjustment	19.25" - 26.75"
Seat Dimensions	16" W x 17" D x 1.5" thick
Back Dimensions	15.5" W x 15" D x 1" thick
Footring	18.25" diameter black-durable nylon reinforced fiberglass
Color	Black
Seat Material	Rugged polyurethane that is self-skinning, chemical and puncture resistant, easily cleaned and soil resistant
Tilt	8° forward and 3° backward seat tilt locks in place
Feet	Black dual-wheel, self-braking, non-marring casters (suitable for both hard and carpeted floors)
Base	Nylon Reinforced Fiberglass Base
Base Dimensions	24" W x 24" D
Weight Capacity	300 lbs.

Seating

Vinyl Chair

Our ergonomic vinyl upholstered chairs adjust to fit most body types and workstations. Optional 6-way adjustable arm rests support a variety of arm placements for proper ergonomics. Additional ergonomic benefits include a contoured waterfall seat cushion and an adjustable back rest with lumbar support for increased comfort during extended sitting durations. Vinyl chairs are constructed of highly durable molded polyurethane foam cushioning covered with easily cleaned antibacterial vinyl available in a myriad of colors. Optional seat tilt provides 8° forward and 3° backward locking tilt for ergonomic posture support. Optional 20" diameter chrome foot rings are available. These medium bench height chairs features your choice of chrome-hooded casters or black glides on a polished cast aluminum base. Each ergonomic chair is backed by our 15 year warranty, lifetime on the pneumatic lift.



Sample Catalog Number: VMBCH-CR-T1-A0-CF-CC-8540	
Specifications	
Pneumatic Adjustment	21.5" - 29"
Seat Dimensions	18.5" W x 17" D x 2.5" thick
Back Dimensions	16.5" W x 11.5" D x 2.5" thick
Footring	20" diameter round tube chrome foot ring with internal lock
Color	Black
Seat Material	Trailblazer™ Vinyl: Highly durable molded polyurethane foam cushioning covered with vinyl
Tilt	8° forward and 3° backward seat tilt locks in place
Feet	Chrome-hooded dual-wheel, self-braking, non-marring casters (suitable for both hard and carpeted floors)
Base	Polished Cast Aluminum Base
Base Dimensions	24" W x 24" D
Weight Capacity	300 lbs.



Since ICI Scientific's inception, we have installed thousands of laboratory projects in sectors ranging from higher education, K-12, medical, pharmaceutical, industrial, and more. Our manufacturing culture of craftsmanship & design has driven the success of our laboratory projects since 1951. Experience shows through our quality.

Laboratory Products from ICI Scientific:



Steel Casework



Fume Hoods



Adaptable Furniture



Wood Casework



World Headquarters
1865 Highway 641 North
Paris, TN 38242-8814
Phone: 731-642-4251