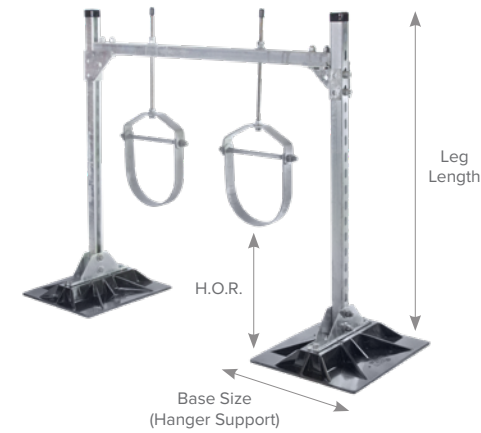


PRODUCT MATRIX/NAMING CONVENTION

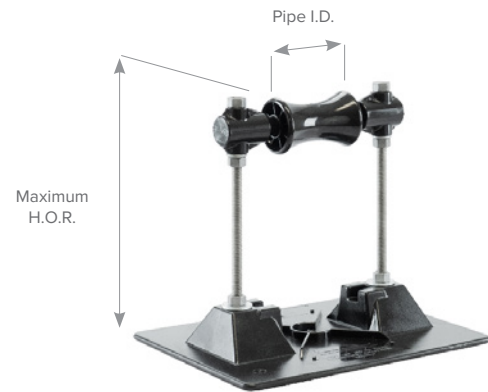
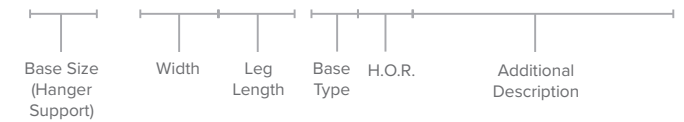
The product matrix tables below provide information for a quick reference to the Roller, Strut, and Custom series supports. Cross reference the Index on page 3 for the page number of the pipe support that fits your needs. Still have questions? Call us at 1-800-768-6978 or email sales@miroind.com.

NAME	BASE TYPE
HDG	HOT-DIP GALVANIZED
P	POLYCARBONATE COMPOSITE
SS	STAINLESS STEEL

NAME	HANGER TYPE
BH	BAND HANGER
C	CLEVIS HANGER
RC	ROLLER CHAIR
RH	ROLLER HANGER
T	TRAPEZE



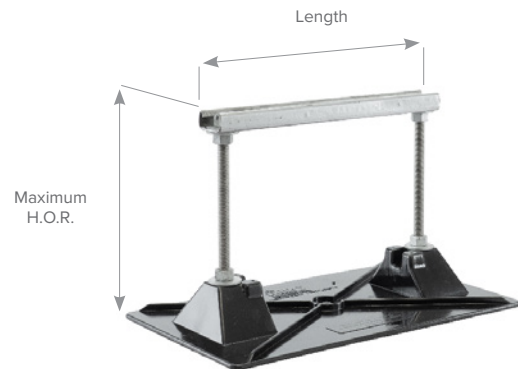
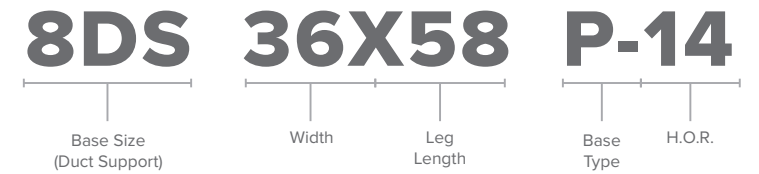
HANGER SUPPORTS 8H - 34x40 P-20 W/(2)6" C



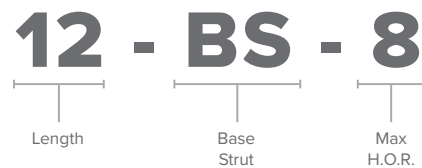
ROLLER SERIES



DUCT AND CABLE TRAYS



STRUT SERIES



HD MECHANICAL SUPPORT

