

ACCUTRAK™ ROTARY POSITION MONITORS MODELS 2007/9479/360/366
EXPLOSIONPROOF/FLAMEPROOF

Fully integrated and encapsulated rotary valve position monitors that are certified for use in explosive atmospheres.



FEATURES

- Touch set cams are hand adjustable, spring loaded and self-locking providing quick calibration of position switches and sensors.
- Terminal strips are pre-wired and numbered with generous working space for ease of use.
- Strong durable Beacon™ offers 360° visual indication in a choice of styles and colors.
- Additional conduit for easy field wiring and mounting accessories as standard.
- Standardized mounting pattern for easy adaptation to common bracketry.
- NAMUR shaft output compliant to VDI/VDE 3845 available.
- Analog position transmitter options.
- Eliminator option for easy integration of external solenoid valve.
- Aluminum enclosures with ultra-low copper content (0.2% maximum) ensure robust performance in corrosive environments.
- Rugged stainless steel enclosures.

TECHNICAL DATA

Agency approvals

Explosionproof/flameproof
Models 2007/9479

Intertek ATM:103627517CRT-001
Cl. I, Div. 1, Groups C & D; T*
Cl. II, Div. 1, Groups E, F & G; T*
Tamb: -*°C to +*°C¹
IP66/67
II 2 G Ex db IIB+H2 T* Gb Ta= -*°C to +*°C
II 2 D Ex td IIIC T* Db Ta= -*°C to +*°C, IP6X
ITS12ATEX17472X
IECEX ETL17.0008X
NCC 16.0122X

Model 360/366

Intertek ATM: 104050146CRT-001
Cl. I, Div. 1, Groups A², B, C & D; T*
Class II/III, Division 1, Groups E, F & G; T*
NI, Cl. I, Div. 2, Groups A, B, C, D; T*
6P

Enclosure standards

All enclosures

Switches**

Magnum/MagPAC

V3 (SPDT) & DPDT mechanical

Pepperl + Fuchs model NJ2-V3-N

Enclosures

Aluminum

Stainless steel

Type 4, 4X

GENERAL APPLICATION

AccuTrak position monitors are ideal for manual and automated rotary valves. They provide consistent and accurate valve monitoring in a compact unit which can be mounted directly or via a valve actuator.

NOTES

¹ This information can change depending on the construction, refer to the certification.

² Solenoid option not available

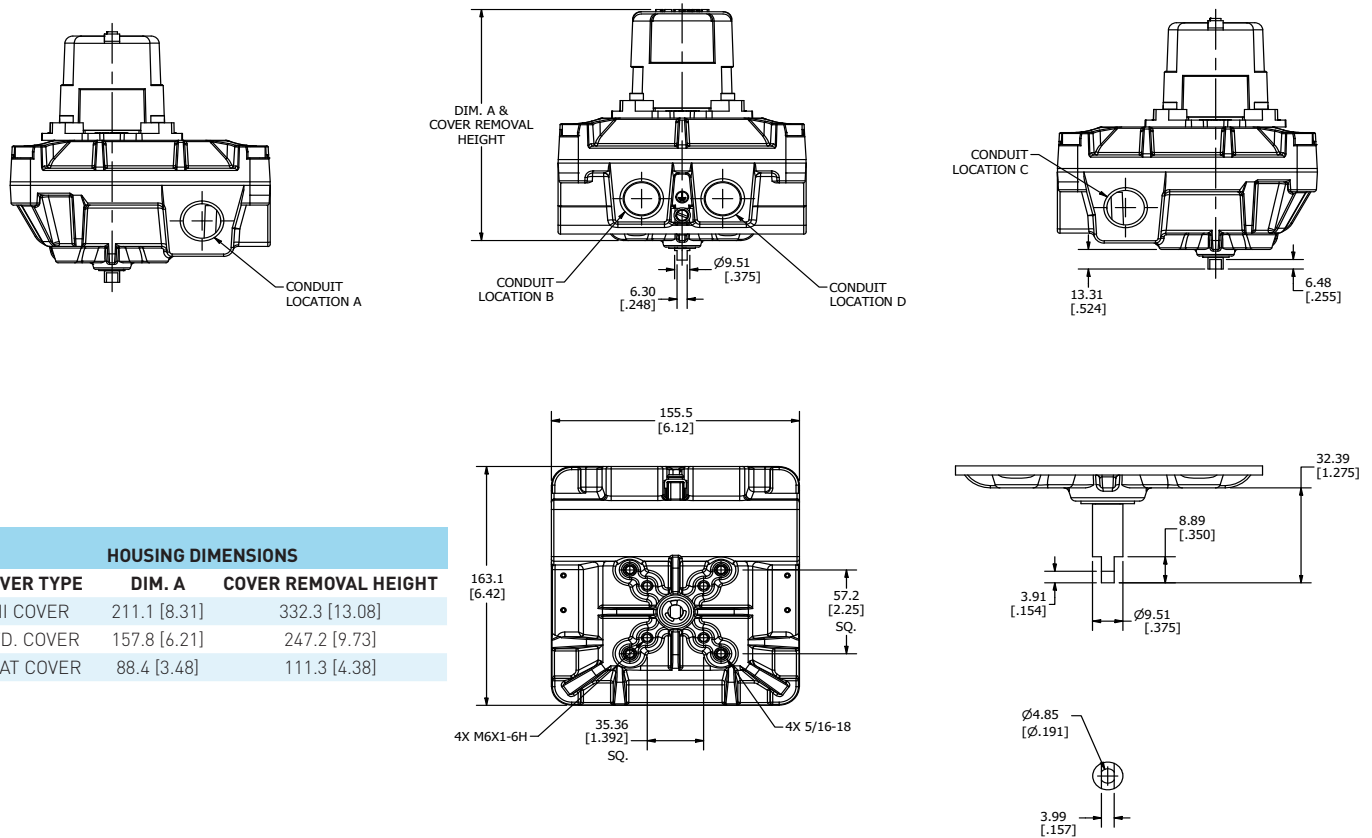
*Ambient temperature depend on configuration, see product certificate for details

**Refer to ordering guides for switch options

ACCUTRAK™ ROTARY POSITION MONITORS

EXPLOSIONPROOF

MODELS 2007/9479 DIMENSIONS



Dimensions in inches, where available metric dimension (mm) in parentheses

TECHNICAL SPECIFICATIONS

Materials of construction

Enclosure	Aluminum with powder coat finish
Shaft and hardware	Stainless steel
Bushing	Oil impregnated bronze
Beacon visual indicator	Co-polyester

Drive shaft

Westlock standard	Double-D with 1/4" A/F
NAMUR standard	NAMUR standard VDI/VDE 3845

Available switches

	V3 mechanical switches, SPDT
	DPDT (Form CC) mechanical switches
	Pepperl + Fuchs model NJ2-V3-N
	Magnum (hermetically sealed proximity type)
	MagPAC bifurcated switch pack (9479 ONLY)

Options

	Stainless steel enclosure
	4-20 mA position transmitter

NOTES

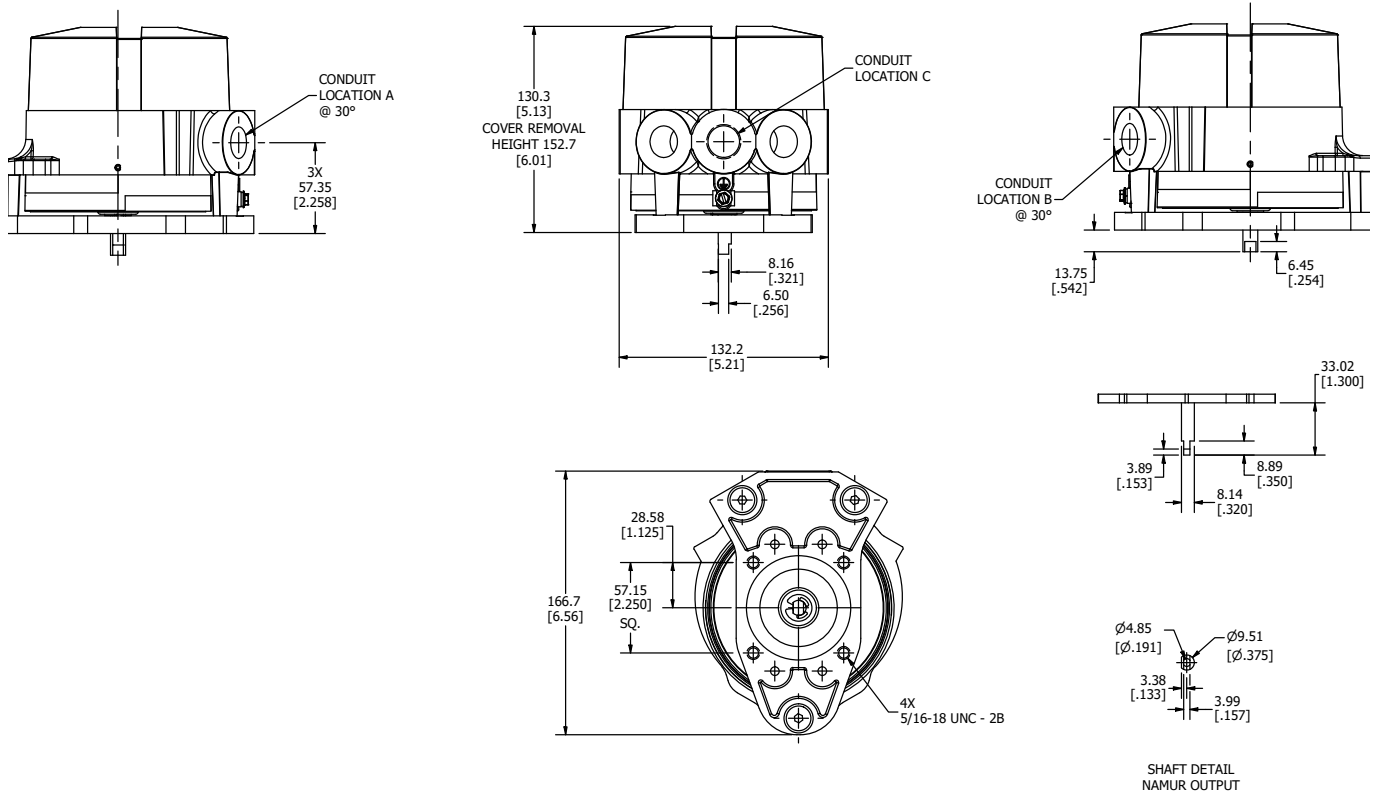
1. See selection guide for standard conduit entries
2. See switches & sensors data sheet for further information
3. A specialist eliminator fitting is available for the mounting of an aftermarket solenoid valve
4. Please consult your sales office for any other requirements



ACCUTRAK™ ROTARY POSITION MONITORS

EXPLOSIONPROOF

MODELS 360/366 DIMENSIONS



Dimensions in inches, where available metric dimension (mm) in parentheses

TECHNICAL SPECIFICATIONS

Materials of construction

Enclosure	
Model 360	Aluminum with powder coat finish
Model 366	Stainless steel with electropolished finish
Shaft and hardware	Stainless steel
Bushing	Oil impregnated bronze
Beacon visual indicator	Co-polyester

Drive shaft

Westlock standard	Double-D with 1/4" A/F
NAMUR standard	NAMUR standard VDI/VDE 3845

Available switches

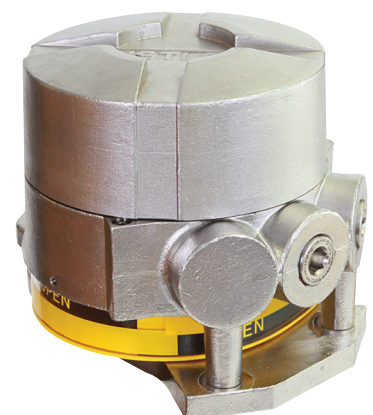
	V3 mechanical switches, SPDT
	DPDT (Form CC) mechanical switches
	Magnum, SPDT hermetically sealed switches, with tungsten contacts
	Magnum, SPDT hermetically sealed switches, with rhodium contacts

Options

Models 360/366	4-20 mA position transmitter
----------------	------------------------------

Notes

1. See selection guide for standard conduit entries
2. See switches & sensors data sheet for further information
3. A specialist eliminator fitting is available for the mounting of an aftermarket solenoid valve
4. Please consult your sales office for any other requirements



ACCUTRAK™ EXPLOSIONPROOF ROTARY POSITION MONITORS

MODEL 2007 SELECTION GUIDE

Base model						
2007	Aluminum enclosure					
Shaft output						
S	Standard (Double-D with 1/4" Flats)					
D	Direct mont to Keystone F89 actuators					
N	NAMUR					
Beacon						
BY	BM2-Y (Standard)					
RG	BM2-RG (Red Closed/Green Open)					
FE	BM2-Y-FE (French/English)					
LP	BM2- Y-LP (Low Profile Standard)					
B1	BM3-1 (3-way B1 Flowpath)					
B3	BM3-3 (3-way B3 Flowpath)					
B5	BM3-5 (3-way B5 Flowpath)					
B7	BM3-7 (3-way B7 Flowpath)					
B9	BM3-9 (3-way B9 Flowpath)					
FC	Flat cover - not available with switch options requiring high cover					
Conduit						
2B	Two 3/4" NPT (F) - not permitted with switch options 6M02 or 4M04					
4B	Four 3/4" NPT (F)					
4E	Two 3/4" NPT (F), One 1/2" NPT (F) & One 1/2" NPT (M) Global Eliminator Fitting*					
4F	Two 3/4" NPT (F) & Two 1/2" NPT (M) Global Eliminator Fittings*					
EA	Two 3/4" NPT (F) & Two 1/2" NPT (F)					
2M	Two M20 (F) - not permitted with switch options 6M02 or 4M04					
4M	Four M20 (F)					
Position switches						
2M02	Two SPDT Mechanical Switches - 8 pt. Terminal Strip					
4M02	Four SPDT Mechanical Switches - 16 pt. Terminal Strip					
6M02	Six SPDT Mechanical Switches - 24 pt. Terminal Strip, High Cover, 4 Conduits					
2M04	Two DPDT Mechanical Switches - 16 pt. Terminal Strip					
4M04	Four DPDT Mechanical Switches - 24 pt. Terminal Strip, High Cover, 4 Conduits					
Position Transmitter						
00	None					
DS	4-20 mA Digital Signal Position Transmitter - 12 pt. Terminal Strip w/ 2M02 OR 16 pt. Terminal Strip, High Cover w/ 2M04, 4M02					
Unit Specialty Codes (leave blank for standard builds)						
M0000	INMETRO Certification					
00124	316 Stainless Steel Enclosures					
00692	**120 VAC Heater Resistor					
00710	12 pt. Terminal Strip					
00816	**24 VDC Heater Resistor					
01351	SIL 3 - some restrictions may apply; consult Sales					
2007	N	BY	2B	2M02	DS	= Model number 2007NBY2B2M0200DS

ORDERING NOTES

*Eliminator Fitting is 1/2" NPT (M) for the purpose of mounting an after market solenoid valve.

For INMETRO replace first digit of the speciality code with M; For e.g. 2007NBY2B2M02DSM**0124

***T Ratings for optional heater resistors changes to T2C.

ACCUTRAK™ EXPLOSIONPROOF ROTARY POSITION MONITORS

MODEL 9479 SELECTION GUIDE

Base model	
9479	Aluminum enclosure
Shaft output	
S	Standard (Double-D with 1/4" Flats)
D	Direct mount to Keystone F89 actuators
N	NAMUR VDI/VDE 3845
Beacon	
BY	BM2-Y (Standard)
RG	BM2-RG (Red Closed/Green Open)
FE	BM2-Y-FE (French/English)
LP	BM2-Y-LP (Low Profile Standard)
B1	BM3-1 (3-Way B1 Flowpath)
B3	BM3-3 (3-Way B3 Flowpath)
B5	BM3-5 (3-Way B5 Flowpath)
B7	BM3-7 (3-Way B7 Flowpath)
B9	BM3-9 (3-Way B9 Flowpath)
FC	Flat cover - not available with switch options requiring high cover
Conduit	
2B	Two 3/4" NPT (F) - not permitted with 6 SPDT or 4 DPDT switch options
4B	Four 3/4" NPT (F)
4E	Two 3/4" NPT (F), One 1/2" NPT (F) & One 1/2" NPT (M) Global Eliminator Fitting*
4F	Two 3/4" NPT (F) & Two 1/2" NPT (M) Global Eliminator Fittings*
EA	Two 3/4" NPT (F) and Two 1/2" NPT (F)
2M	Two M20 (F) - not permitted with 6 SPDT or 4 DPDT switch options
4M	Four M20 (F)
Position Switches (see ordering notes)	
2M06	Two SPDT Magnum Switches - 8 pt. Terminal Strip
2M08	Two P+F NJ2-V3-N NAMUR Inductive Proximity Sensors - 8 pt. Terminal Strip
2M12	Two SPDT Magnum Switches, Rhodium Contacts - 8 pt. Terminal Strip
2M13	MagPAC Module (Two SPST Bifurcated Reeds), Diagnostic LEDs - 12 pt. Terminal Strip
2M17	Two DPDT Magnum Cobra - 12 pt. Terminal Strip, High Cover, 4 Conduits
2M18	Two DPDT Magnum Cobra, Rhodium Contacts - 12 pt. Terminal Strip, High Cover 4 Conduits
4M06	Four SPDT Magnum Switches - 16 pt. Terminal Strip
4M08	Four P+F NJ2-V3-N NAMUR Inductive Proximity Sensors - 16 pt. Terminal Strip
4M12	Four SPDT Magnum Switches, Rhodium Contacts - 16 pt. Terminal Strip
4M17	Four DPDT Magnum Cobra, Rhodium Contacts - 24 pt. Terminal Strip, High Cover, 4 Conduits
4M18	Four DPDT Magnum Cobra, Rhodium Contacts - 24 pt. Terminal Strip, High Cover, 4 Conduits
6M06	Six SPDT Magnum Switches - 24 pt. Terminal Strip, High Cover, 4 Conduits
6M08	Six P+F NJ2-V3-N NAMUR Inductive Proximity Sensors - 16 pt. Terminal Strip, High Cover
6M12	Six SPDT Magnum Switches, Rhodium Contacts - 24 pt. Terminal Strip, High Cover, 4 Conduits
Position Transmitter	
00	None
DS	4-20 mA Digital Signal Position Transmitter - available only w/ 12 pt. TS and 2M06, 2M12, 2M08 OR w/ 16 pt. TS 4M06, 4M12, 4M08 and high cover
Unit Specialty Codes (leave blank for standard builds)	
M0000	INMETRO Certification
00124	316 Stainless Steel Enclosure
00692	**120 VAC Heater Resistor
00710	12 pt. Terminal Strip
00816	**24 VDC Heater Resistor
01351	SIL 3 - some registrations may apply; contact Sales
9479	N
BY	2B
2M12	DS
= Model number 9479NBY2B2M12DS	

ORDERING NOTES

*Eliminator Fitting is 1/2" NPT (M) for the purpose of mounting an after market solenoid valve.

For INMETRO replace first digit of the speciality code with M; For e.g. 9479NBY2B2M12DSM**0124

***T Ratings for optional heater resistors changes to T2C.

POSITION SWITCH APPLICATION NOTES

For 120 VAC service, M13 (MagPAC) is recommended.

For 24 VDC service below 1 watt, M12 (Rhodium Magnum Switches) or M13 (MagPAC) is recommended.

For 24 VDC service above 1 watt, M06 (Tungsten Magnum Switches) or M13 (MagPAC) is recommended.

ACCUTRAK™ EXPLOSIONPROOF ROTARY POSITION MONITORS

MODEL 360/366 SELECTION GUIDE

Base Model	
360	Aluminum enclosure
366	Stainless steel enclosure
Shaft Output	
S	Standard (double-D with 1/4" Flats)
N	NAMUR
Beacon	
BY	Black/Open - Yellow/Closed (Standard)
RG	Red/Closed - Green/Open
Conduit	
2B	Two 3/4" NPT (F)
3B	Three 3/4" NPT (F)
2E	One 3/4" NPT (F) & One 1/2" NPT (M) Eliminator Fitting*
3E	Two 3/4" NPT (F) & One 1/2" NPT (M) Eliminator Fitting
Position Switches	
2M02	Two SPDT Mechanical Switches - 10 pt. Terminal Strip
2M04	Two DPDT Mechanical Switches - 14 pt. Terminal Strip
2M06	Two SPDT Magnum Switches - 10 pt. Terminal Strip
2M12	Two SPDT Magnum Switches with Rhodium Contacts - 10 pt. Terminal Strip
2M17	Two DPDT Magnum Cobra Switches - 14 pt. Terminal Strip
2M18	Two DPDT Magnum Cobra Switches with Rhodium Contacts - 14 pt. Terminal Strip
4M02	Four SPDT Mechanical Switches - 14 pt. Terminal Strip
4M06	Four SPDT Magnum Switches - 14 pt. Terminal Strip
4M12	Four SPDT Magnum Switches with Rhodium Contacts - 14 pt. Terminal Strip
Position Transmitter	
00	None
DS	4-20 mA Digital Signal Position Transmitter - 10 pt. Terminal Strip - available only w/ 2M02, 2M06, 2M12 switch options
360	N
BY	2B
2M12	00 = Model number 360NBY2B2M1200

ORDERING NOTES

*Eliminator Fitting is 1/2" NPT (M) for the purpose of mounting an after market solenoid valve.

Translations

Where translated the copy is taken from the original English document TD10022-EN as checked by the relevant notified certification body and therefore the original English document will prevail. No rights or liability can be derived from any translation.

Crane Co., and its subsidiaries cannot accept responsibility for possible errors in catalogues, brochures, other printed materials, and website information. Crane Co. reserves the right to alter its products without notice, including products already on order provided that such alterations can be made without changes being necessary in specifications already agreed. All trademarks in this material are the property of Crane Co. or its subsidiaries. The Crane and Crane brands logotype (WESTLOCK CONTROLS®) are registered trademarks of Crane Co. All rights reserved.



WESTLOCK CONTROLS
 Head Office
 280 N. Midland Avenue, Ste. 258
 Saddle Brook, NJ 07663
 United States

USA
 +1 201 794 7650

EUROPE
 +44 (0)1892 516277

ASIA
 +65 6266 4535