

ACCUTRAK™ ROTARY POSITION MONITORS

WEATHERPROOF – IEC

Weatherproof rotary position monitors with the option of high-performance polyamide resin, powder-coated aluminium or stainless steel enclosures they offer a variety of switching options



TECHNICAL DATA

Agency approvals

Enclosure standards (IEC)

All enclosures

IP66/67

Resin enclosures (except 8500)

IP66/67/68

Switches

3200/3500/8500 Series

V3 SPDT mechanical switches

DPDT mechanical switches

Magnum SPDT (hermetically sealed proximity type) switches

V3 inductive proximity sensors

Pneumatic 3/2 operation

3500/8500 only

Enclosures

3200/3500/8500 Series

Engineered resin

3200/3500/8500 Series

Aluminium

3200/3500/8500 Series

Stainless steel

FEATURES

3200,3500,8500 Series

- Weatherproof design meeting a wide range of worldwide approvals.
- Touch set cams are hand adjustable, spring loaded and self-locking providing quick calibration of position switches and sensors.
- Terminal strips are pre-wired and numbered with generous working space for ease of use.
- Strong durable Beacon™ offers 360° visual indication available in a choice of styles and colors.
- Additional conduit for easy field wiring and mounting accessories as standard.
- Wide range of switches and sensors.
- Switch stabilisation plate.
- Standardized mounting pattern for easy adaptation to common bracketry.
- Range of drive shaft options.
- Engineered resin enclosure is robust yet lightweight; allows broad operating temperatures and provides exceptional chemical, UV and impact resistance.
- Aluminium enclosures with ultra-low copper content (0.2% maximum) ensure robust performance in corrosive environments.
- Rugged stainless steel enclosure.
- IP rated plugs certified where applicable.

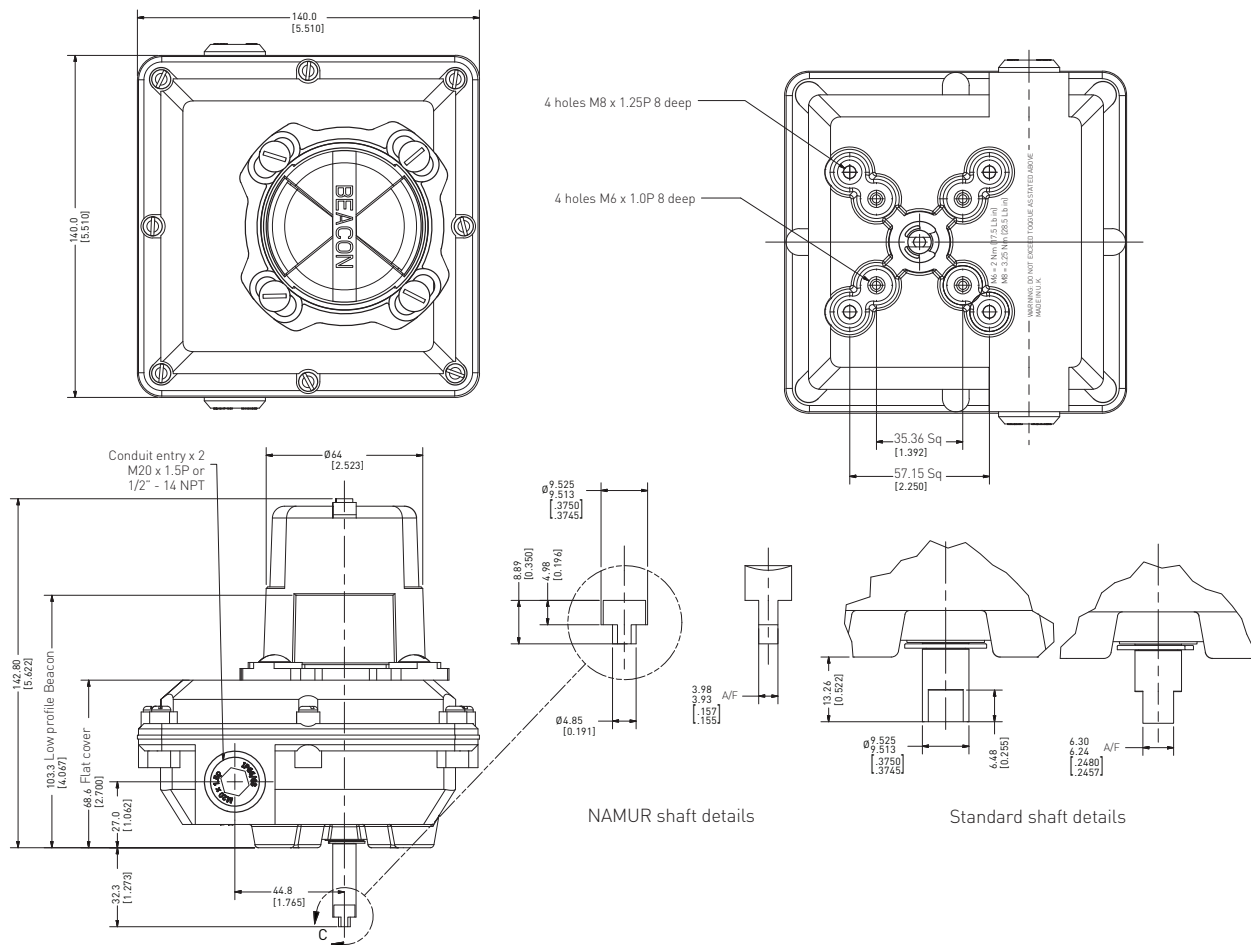
GENERAL APPLICATION

AccuTrak position monitors are ideal for manual and automated rotary valves. They provide consistent and accurate valve monitoring in a compact unit which can be mounted directly or via a valve actuator.

ACCUTRAK™ ROTARY POSITION MONITORS

WEATHERPROOF – IEC

3200 SERIES RESIN ENCLOSURE DIMENSIONS



Dimensions in mm, imperial dimensions (inches) in parenthesis

TECHNICAL SPECIFICATIONS

Materials of construction

Enclosure	Engineered resin
Shaft and hardware	Stainless steel
Bushing	Nylon
Beacon visual indicator	Co-polyester

Drive shaft

Westlock standard	Double-D with 1/4" A/F
NAMUR standard	NAMUR standard VDI/VDE 3845

Available switches

V3 SPDT mechanical switches
DPDT mechanical switches
Magnum SPDT (hermetically sealed proximity type) switches
V3 inductive proximity sensors

NOTES

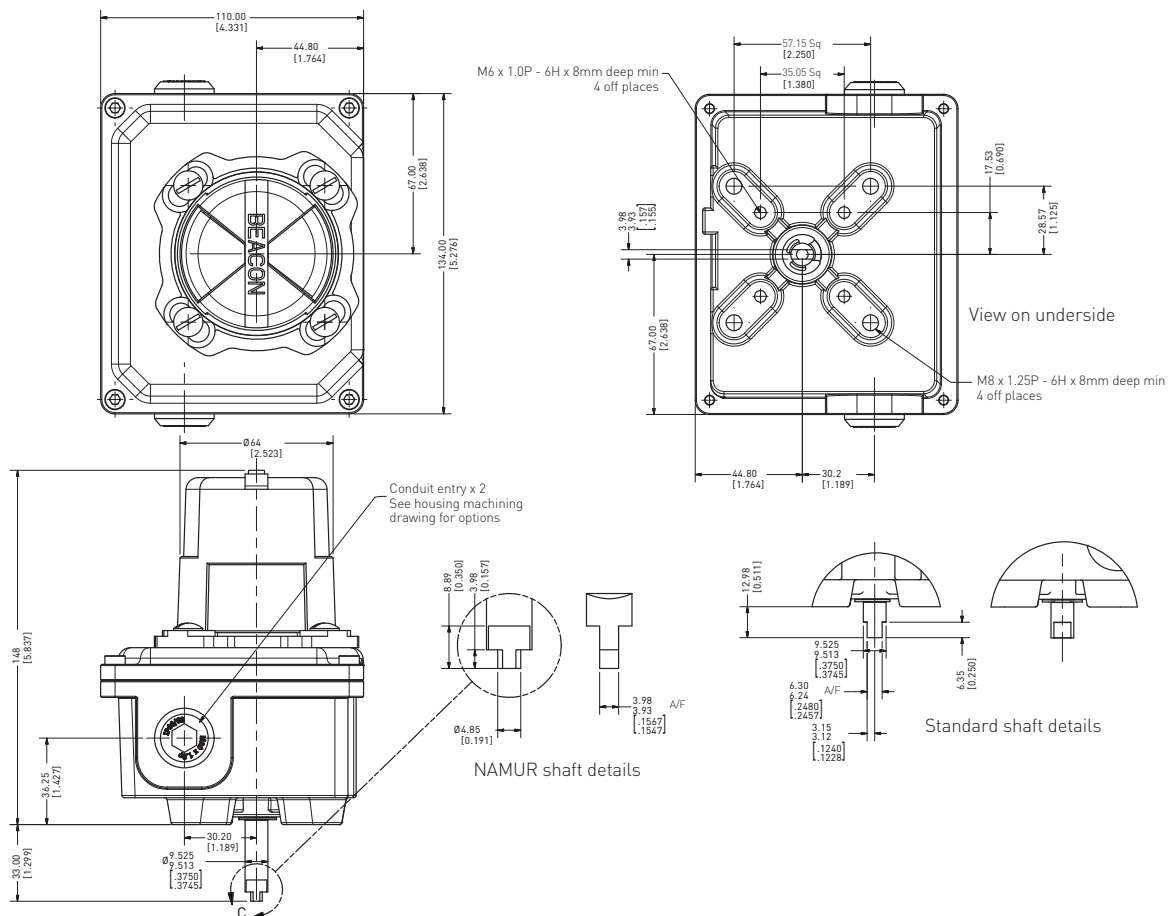
1. See selection guide for standard conduit entries
2. See switches & sensors data sheet for further information
3. Please consult your sales office for any other requirements



ACCUTRAK™ ROTARY POSITION MONITORS

WEATHERPROOF – IEC

3200 SERIES ALUMINIUM & STAINLESS STEEL ENCLOSURE DIMENSIONS



Dimensions in mm, imperial dimensions (inches) in parenthesis

TECHNICAL SPECIFICATIONS

Materials of construction

Enclosure	Aluminum with powder coat finish Stainless steel with electropolished finish
Shaft and hardware	Stainless steel
Bushing	Oil impregnated bronze (aluminum enclosure) PTFE (stainless steel enclosure)
Beacon visual indicator	Co-polyester

Drive shaft

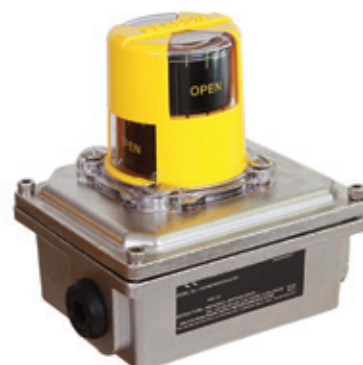
Westlock standard	Double-D with 1/4" A/F
NAMUR standard	NAMUR standard VDI/VDE 3845

Available switches

V3 SPDT mechanical switches
DPDT mechanical switches
Magnum SPDT (hermetically sealed proximity type) switches
V3 inductive proximity sensors

NOTES

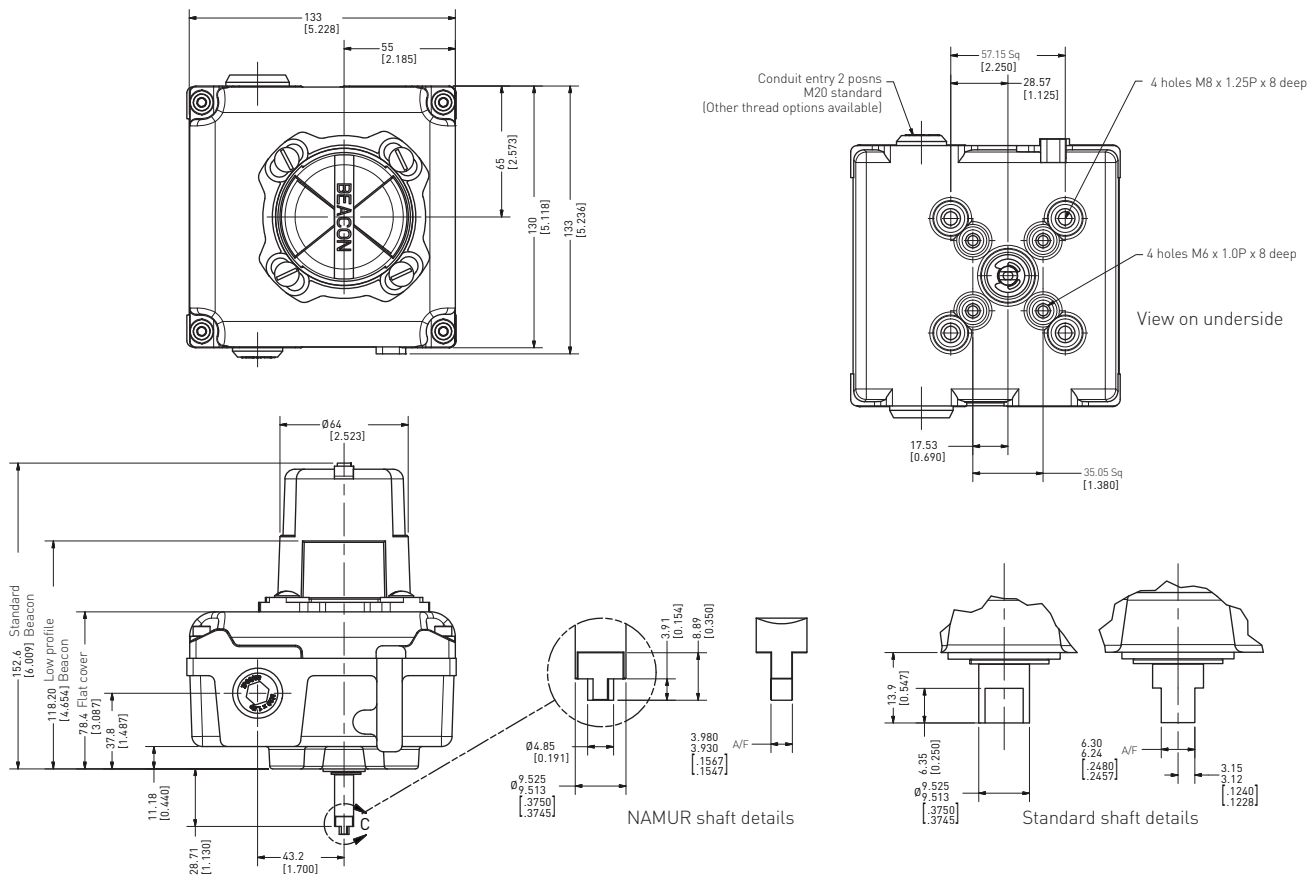
1. See selection guide for standard conduit entries
2. See switches & sensors data sheet for further information
3. Please consult your sales office for any other requirements



ACCUTRAK™ ROTARY POSITION MONITORS

WEATHERPROOF – IEC

3500 SERIES RESIN ENCLOSURE DIMENSIONS



Dimensions in mm, imperial dimensions (inches) in parenthesis

TECHNICAL SPECIFICATIONS

Materials of construction

Enclosure	Engineered resin
Shaft and hardware	Stainless steel
Bushing	Nylon
Beacon visual indicator	Co-polyester

Drive shaft

Westlock standard	Double-D with 1/4" A/F
NAMUR standard	NAMUR standard VDI/VDE 3845

Available switches

V3 SPDT mechanical switches
DPDT mechanical switches, contacts
Magnum SPDT (hermetically sealed proximity type) switches
V3 inductive proximity sensors
Pneumatic 3/2 operation

NOTES

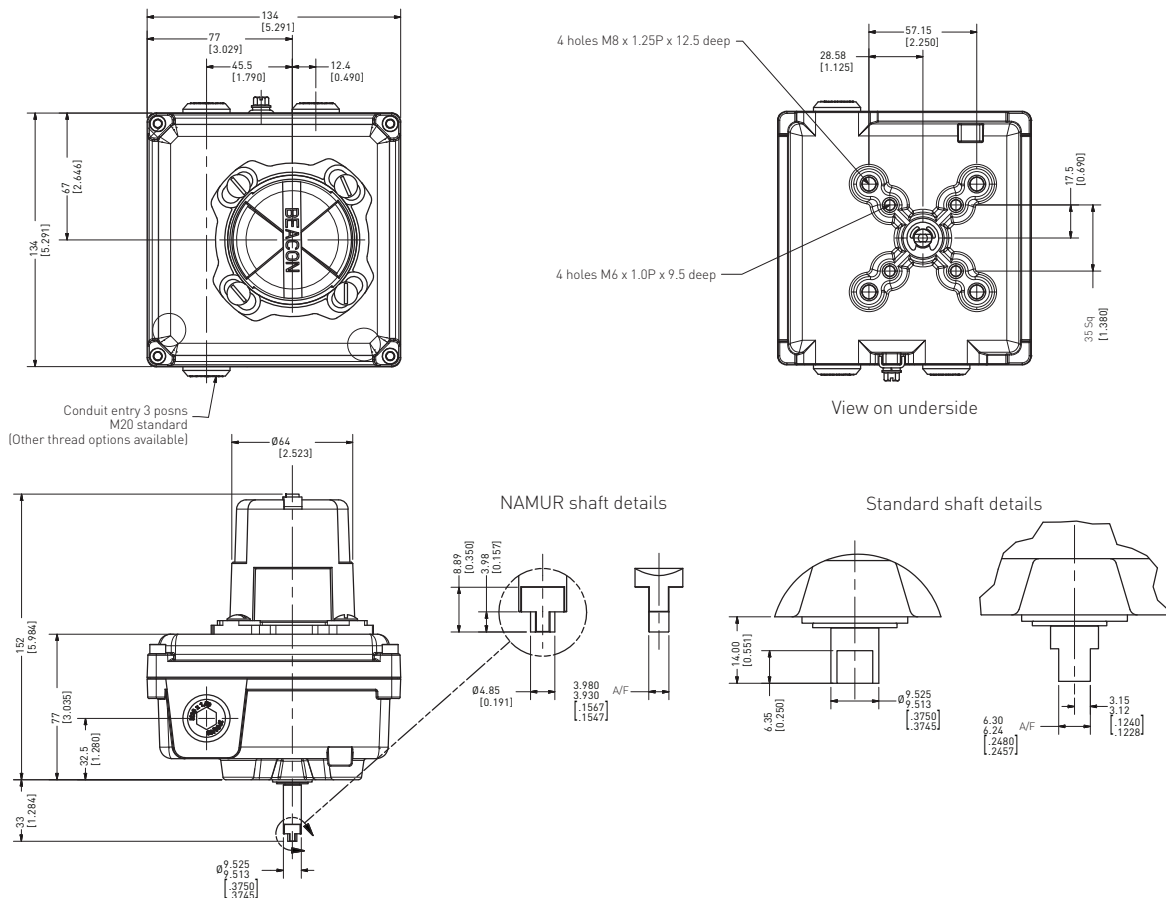
1. See selection guide for standard conduit entries
2. See switches & sensors data sheet for further information
3. Please consult your sales office for any other requirements



ACCUTRAK™ ROTARY POSITION MONITORS

WEATHERPROOF – IEC

3500 SERIES ALUMINIUM & STAINLESS STEEL ENCLOSURE DIMENSIONS



Dimensions in mm, imperial dimensions (inches) in parenthesis

TECHNICAL SPECIFICATIONS

Materials of construction

Enclosure	Aluminum with powder coat finish Stainless steel with electropolished finish
Shaft and hardware	Stainless steel
Bushing	Oil impregnated bronze (aluminum enclosure) PTFE (stainless steel enclosure)
Beacon visual indicator	Co-polyester

Drive shaft

Westlock standard	Double-D with 1/4" A/F
NAMUR standard	NAMUR standard VDI/VDE 3845

Available switches

	V3 SPDT mechanical switches
	DPDT mechanical switches
	Magnum SPDT (hermetically sealed proximity type) switches
	V3 inductive proximity sensors
	Pneumatic 3/2 operation

NOTES

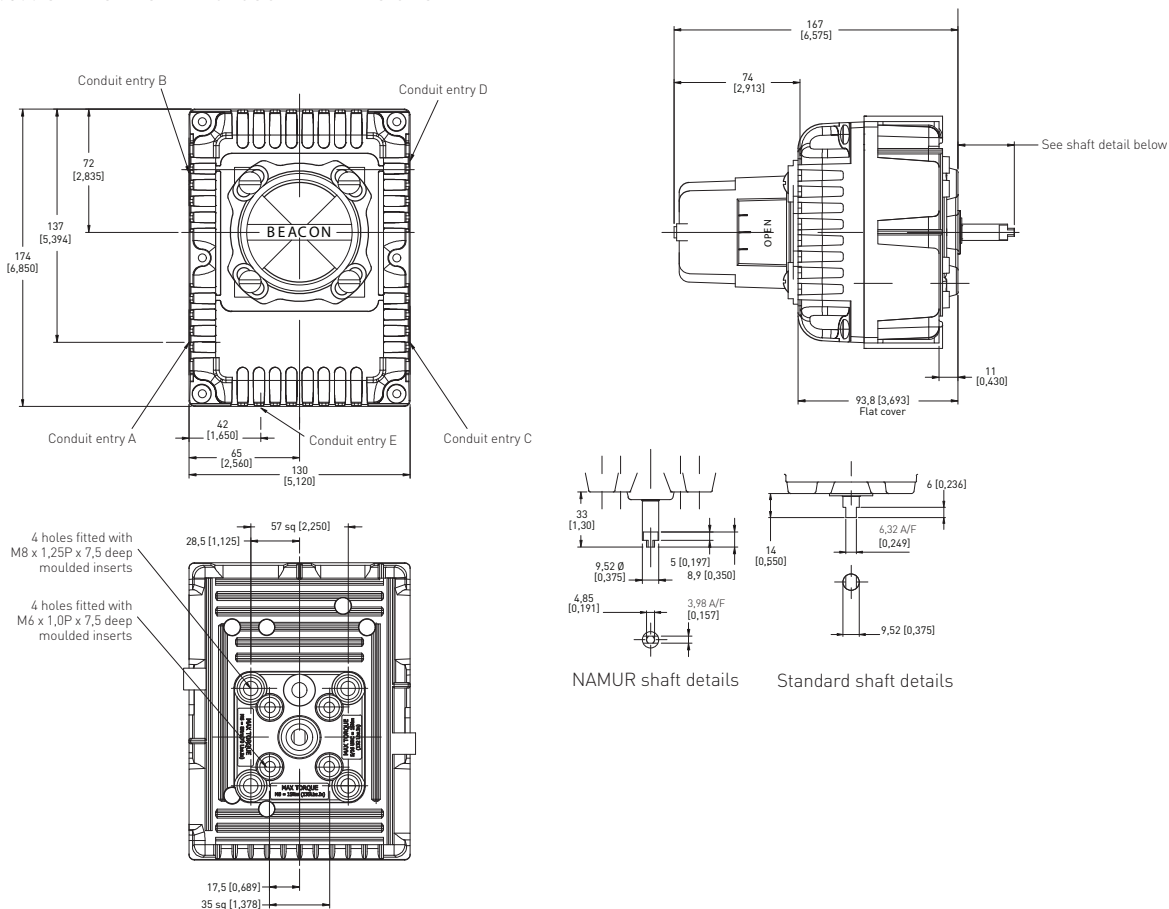
1. See selection guide for standard conduit entries
2. See switches & sensors data sheet for further information
3. Please consult your sales office for any other requirements



ACCUTRAK™ ROTARY POSITION MONITORS

WEATHERPROOF – IEC

8500 SERIES RESIN ENCLOSURE DIMENSIONS



Dimensions in mm, imperial dimensions (inches) in parenthesis

TECHNICAL SPECIFICATIONS

Materials of construction

Enclosure	Engineered Resin
Shaft and hardware	Stainless steel
Bushing	Nylon
Beacon visual indicator	Co-polyester

Drive shaft

Westlock standard	Double-D with 1/4" A/F
NAMUR standard	NAMUR standard VDI/VDE 3845

Available switches

	V3 SPDT mechanical switches
	DPDT mechanical switches
	Magnum SPDT (hermetically sealed proximity type) switches
	V3 inductive proximity sensors
	Pneumatic 3/2 operation

NOTES

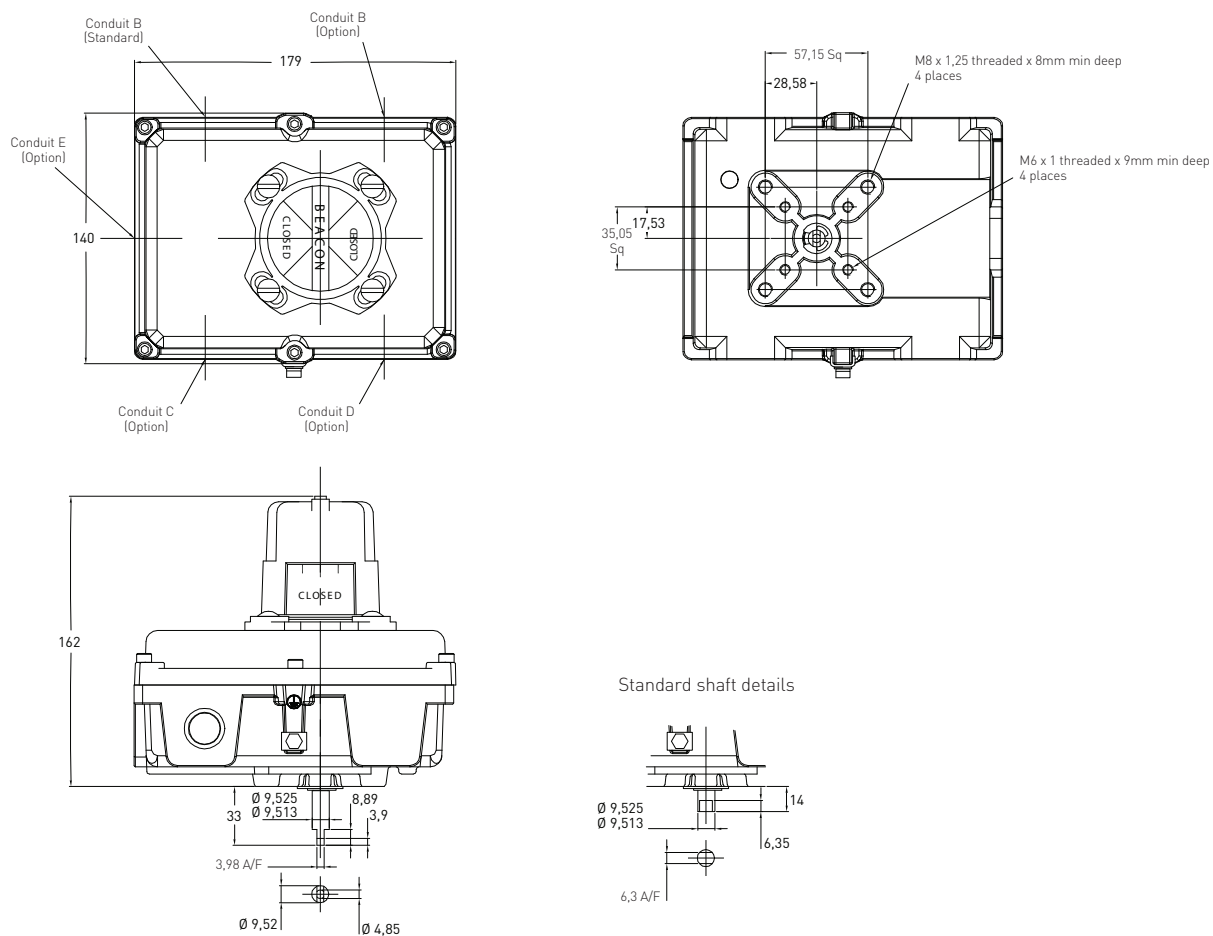
1. See selection guide for standard conduit entries
2. See switches & sensors data sheet for further information
3. Please consult your sales office for any other requirements



ACCUTRAK™ ROTARY POSITION MONITORS

WEATHERPROOF – IEC

8500 SERIES ALUMINIUM & STAINLESS STEEL ENCLOSURE DIMENSIONS



Dimensions in mm, imperial dimensions (inches) in parenthesis

TECHNICAL SPECIFICATIONS

Materials of construction

Enclosure	Aluminum with powder coat finish Stainless steel with electropolished finish
Shaft and hardware	Stainless steel
Bushing	Oil impregnated bronze (aluminum enclosure) PTFE (stainless steel enclosure)
Beacon visual indicator	Co-polyester

Drive shaft

Westlock standard	Double-D with 1/4" A/F
NAMUR standard	NAMUR standard VDI/VDE 3845

Available switches

	V3 SPDT mechanical switches
	DPDT mechanical switches
	Magnum SPDT (hermetically sealed proximity type) switches
	V3 inductive proximity sensors
	Pneumatic 3/2 operation

NOTES

1. See selection guide for standard conduit entries
2. See switches & sensors data sheet for further information
3. Please consult your sales office for any other requirements

ACCUTRAK™ WEATHERPROOF ROTARY POSITION MONITORS

3200/3500 SERIES SELECTION GUIDE

Housing

- 32 3200 with flanged lid
- 35 3500 with flanged lid

Cover style

- 4 With Beacon
- 6 Flat cover

Switch type

- 1 Pneumatic (3500 only)
- 5 Microswitch SPDT
- 6 Microswitch DPDT
- 7 P&F inductive sensor
- 8 Other inductive proximity
- 9 Magnum SPDT
- 0 No switches fitted

Material

- A Aluminium
- R Engineered resin
- S Stainless steel

Beacon type and color

- | | | | |
|----|--------------------------|----|--------------------|
| BY | Black/Yellow | B1 | BM3-1 pattern 90° |
| LY | Black/Yellow low profile | B3 | BM3-3 pattern 90° |
| AR | ANSI Red/White | B5 | BM3-5 pattern 90° |
| GR | Green/Red | B7 | BM3-7 pattern 180° |
| 00 | No Beacon fitted | B9 | BM3-9 pattern 180° |

Drive shaft type

- S Westlock standard – ¼" A/F (6.32 mm)
- N NAMUR standard shaft – VDI/VDE 3845
- * Non-standard material and build (consult sales office)

Ancillary options

- 000 No ancillary options
- *** Non-standard material and build (consult sales office)

Switch/sensor quantity

- 0 No switch/sensor fitted
- 1 One switch/sensor
- 2 Two switches/sensors
- 3 Three switches/sensors (consult sales office for 3500 Series only)
- 4 Four switches/sensors (consult sales office for 3500 Series only)

Conduit entries supplied

- 2 Two entries – All enclosures
- 3 Three entries (consult sales office for 3500 Series only)

Unit specification

- AAA Standard build- M20 conduit entries
- ADZ ¾" NPT conduit entries
- DAV M25 conduit entries
- FAN ½" NPT conduit entries
- *** Non-standard material (consult sales office)

Certification

- 0 Non-hazardous

Revision

- R* Internal revision #

32 4 6 R BY N 000 2 2 AAA 0 R1 = Model number **3246RBYN00022AAA-0R1**

NOTES

1. Please contact your sales office for guidance on selecting the best possible combination for your control and monitoring requirements.
2. See Hazardous area classification technical bulletin for further information on global standards.

ACCUTRAK™ WEATHERPROOF ROTARY POSITION MONITORS

8500 SERIES SELECTION GUIDE

Housing												
85	8500 with flanged lid											
Cover style												
4	With Beacon											
6	Flat cover											
Switch type												
1	Pneumatic											
5	Microswitch SPDT											
6	Microswitch DPDT											
7	P&F inductive sensor											
8	Other inductive proximity											
9	Magnum SPDT											
0	No switches fitted											
Material												
A	Aluminium											
R	Engineered resin											
S	Stainless steel											
Beacon type and color												
BY	Black/Yellow					B1	BM3-1 pattern 90°					
LY	Black/Yellow low profile					B3	BM3-3 pattern 90°					
AR	ANSI Red/White					B5	BM3-5 pattern 90°					
GR	Green/Red					B7	BM3-7 pattern 180°					
00	No Beacon fitted					B9	BM3-9 pattern 180°					
Drive shaft type												
S	Westlock standard – ¼" A/F (6.32 mm)											
N	NAMUR standard shaft – VDI/VDE 3845											
*	Non-standard material and build (consult sales office)											
Ancillary options												
000	No ancillary options											
***	Non-standard material and build (consult sales office)											
Switch/sensor quantity												
0	No switch/sensor fitted											
1	One switch/sensor											
2	Two switches/sensors											
3	Three switches/sensors (consult sales office)											
4	Four switches/sensors (consult sales office)											
Conduit entries supplied												
2	Two entries – All enclosures											
3	Three entries – All enclosures											
4	Four entries – All enclosures											
5	Five entries (consult sales office)											
Unit specification												
AAA	Standard build- M20 conduit entries											
ADZ	¾" NPT conduit entries											
DAV	M25 conduit entries											
FAN	½" NPT conduit entries											
***	Non-standard material (consult sales office)											
Certification												
0	Non-hazardous											
Revision												
R*	Internal revision #											
85	4	6	A	BY	N	000	2	2	AAA	0	R1	= Model number 8546ABYN0002AAA-0R1

NOTES

1. Please contact your sales office for guidance on selecting the best possible combination for your control and monitoring requirements.
2. See Hazardous area classification technical bulletin for further information on global standards.

ACCUTRAK™ ROTARY POSITION MONITORS

WEATHERPROOF – IEC

ACCUTRAK™ ROTARY POSITION MONITORS

WEATHERPROOF – IEC



www.westlockcontrols.com

Westlock. We reserve the right to change designs and specifications without notice.