

- BT381** Double Water Tap, Bench Mounted, Two Valves at 180°
- BT382** Double Water Tap, Bench Mounted, Two Valves Side-by-Side



Application: Laboratory water tap with two outlets for cold water.

Mounting: Bench or countertop mounted with locator pins. On BT381, valves are mounted at 180° to each other. On BT382, valves are mounted side-by-side.

Bodies: Forged brass.

Headworks: WaterSaver self-contained compression valve cartridges with replaceable stainless steel seats.

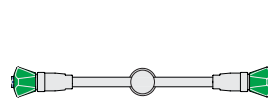
Handles: Molded nylon hooded style handles with index discs. Handles and indexes are color coded and marked per EN 13792.

Riser: Brass riser with 150mm (6") spread to each valve.

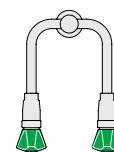
Inlet: Furnished with G1/2 mounting shank, locknut and washer. G1/2 male inlet.

Outlets: G3/8 female outlets with removable anti-splash serrated hose ends.

Quality Assurance: Fitting is fully assembled and factory tested prior to shipment. 10 bar (150 PSI) test pressure and maximum working pressure.



BT381



BT382

Ordering Information

Options		BT381	BT382
Valve Construction	Compression valve cartridge	<input type="checkbox"/> BT381	<input type="checkbox"/> BT382
	Ceramic disc valve cartridge	<input type="checkbox"/> BTC381	<input type="checkbox"/> BTC382
Riser	Riser with 200mm (8") spread in place of 150mm (6")	<input type="checkbox"/> BT381-8	<input type="checkbox"/> BT382-8
Outlet Fitting	BO055 aerators in place of hose ends	<input type="checkbox"/> BT381-55	<input type="checkbox"/> BT382-55
	BT118 pipe interrupter fittings with hose ends	<input type="checkbox"/> BT381-118	<input type="checkbox"/> BT382-118

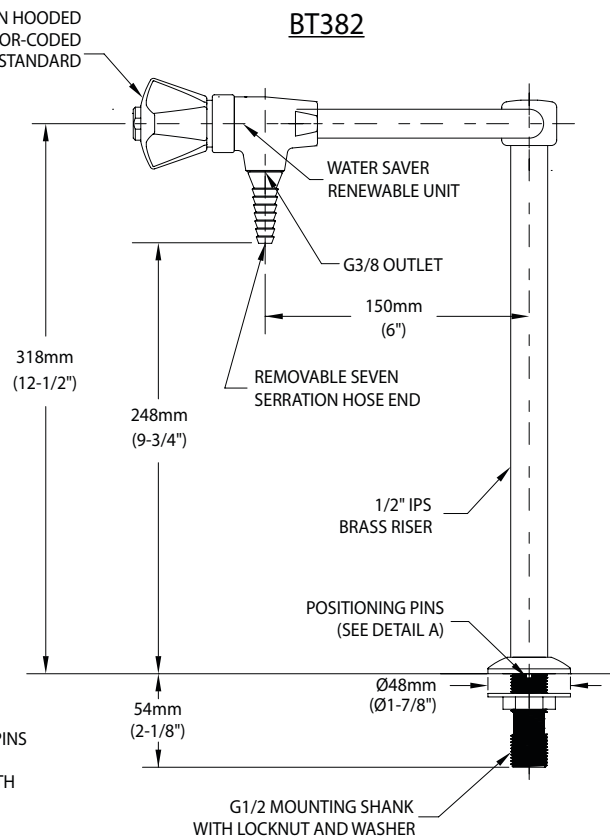
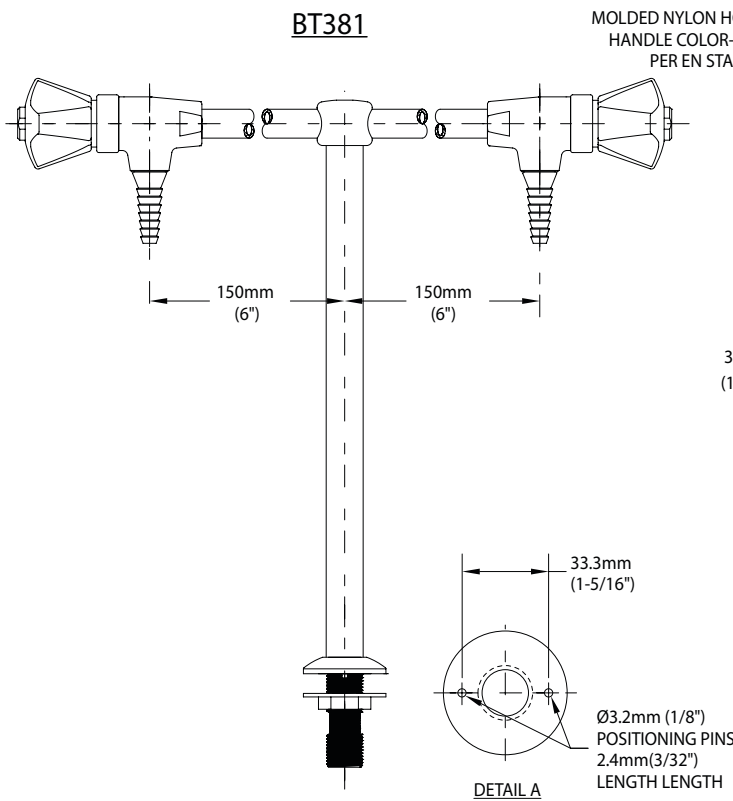
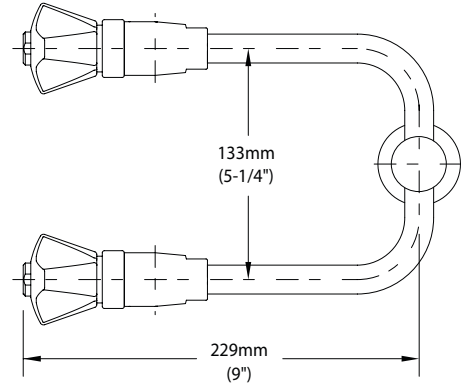
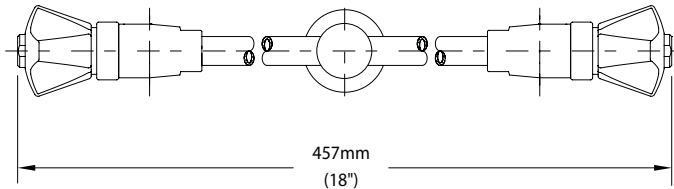
Product Finish

<input type="checkbox"/> WHT	Gloss white powder coated finish	<input type="checkbox"/> PCL	Polished chrome plated finish with clear epoxy coating
<input type="checkbox"/> GRY	Gloss light gray powder coated finish	<input type="checkbox"/> SCC	Satin chrome plated finish with clear epoxy coating
<input type="checkbox"/> GRD	Gloss dark gray powder coated finish	<input type="checkbox"/> SNC	Satin nickel plated finish with clear epoxy coating
<input type="checkbox"/> STM	Starburst metallic powder coated finish		

Note: Refer to "Product Finishes" catalog for complete information on finishes.

Media

- BT381** Double Water Tap, Bench Mounted, Two Valves at 180°
- BT382** Double Water Tap, Bench Mounted, Two Valves Side-by-Side



- NOTES:**
1. FITTING IS FULLY ASSEMBLED AND FACTORY TESTED PRIOR TO SHIPMENT.
 2. MAXIMUM WORKING PRESSURE IS 10 BAR (150 PSI).

Rev. 052318

THIS SPACE FOR ARCHITECT/ENGINEER APPROVAL

Due to continuing product improvement, the information contained in this document is subject to change without notice. All dimensions are ± 6mm (1/4"). Rev. 052118