

DT08

Track Dumpers



**WACKER
NEUSON**
all it takes!



Excellent for rental applications

Wacker Neuson's DT08 track dumper with its compact dimension and precision control can be maneuvered with pin-point accuracy along any surface. Its 1,764 lb. (800 kg) payload and width of only 31 in. (79 cm) make the DT08 ideal for rental applications. Powered by a Honda gasoline engine and comes with a front tip skip.

- The hydrostatic drive provides easy and comfortable operation - no need to change gears
- Suspension-mounted rollers compensate for uneven ground and provide for a smoother ride on rough terrain and over curbs or steps
- The rubber track and the optimum weight distribution reduce the ground pressure and prevent damage to delicate surfaces.
- Compact dimensions are ideal for confined areas and can fit through narrow garden gates and doorways, making them an excellent choice for landscape, concrete, demolition and residential applications.
- Optimal cooling system allows for applications in higher temperatures

DT08 Technical specifications

Operating data

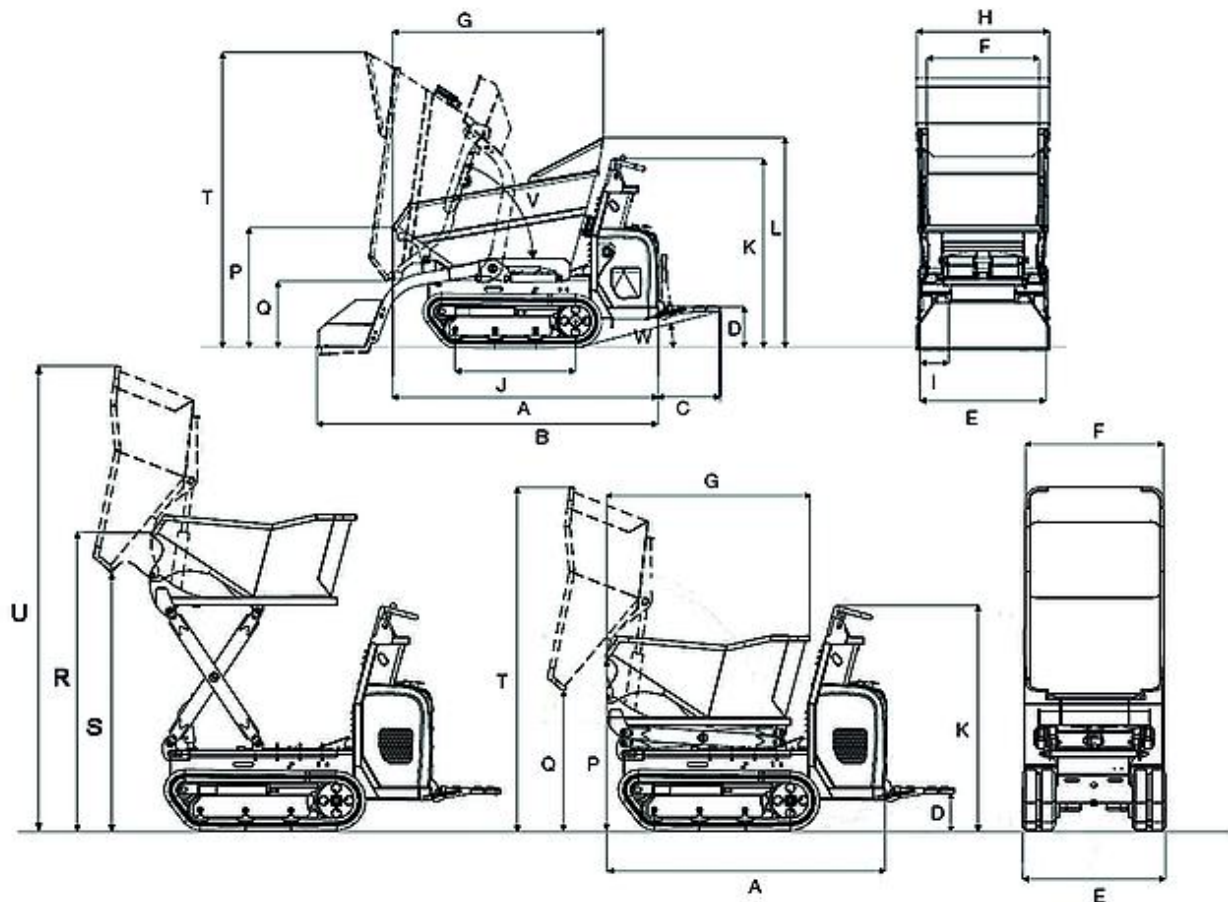
Shipping weight - gasoline engine	1,301 lb
Payload max.	1,764 lb
Skip capacity level	88 US gal
Skip capacity heaped*	102 US gal
L x W x H *	65 x 31 x 47 in

Engine / Motor

Engine / Motor type	Honda Gasoline
Engine performance - gasoline engine	9 hp
at rpm	3,600 rpm
Travel speed max.	2.5 mph
Gradeability	36 %

* Model with front-tipping skip

DT08 Dimensions



		Front tip skip
A	Length (without running board)	65.3 in
B	Length with self-loading equipment (without running board)	83.9 in
C	Length of running board	15.2 in
D	Height over running board	9.2 in
E	Width Undercarriage	31.1 in
F	Skip width	32.4 in
G	Skip length	51.5 in
H	Width with self-loading equipment	32.6 in
I	Chain width Track	7 in
J	Length Track	29.6 in
K	Height over control console	48.4 in
L	Height over skip hand protector	51.2 in
P	Height of skip front edge	29.5 in
Q	Dump height max.	16.4 in
T	Height Max., skip raised	72 in
V	Dump angle Skip dumping	72 °
W	Bucket rollback Running board retraction	14 °
Y	Ground clearance	4.3 in

Please note: that product availability can vary from country to country. It is possible that information / products may not be available in your country. More detailed information on engine power can be found in the operator's manual; the stated power may vary due to specific operating conditions. Subject to alterations and errors excepted. Applicable also to illustrations.
Copyright © 2020 Wacker Neuson SE.