



Taut
Single-handle commercial faucet
K-46028-4



Coralais



July™



Taut

Commercial Single-Handle Faucets

THE BOLD LOOK
OF **KOHLER**™

Commercial Single-Handle Faucets

Easy control and strong design come together in our commercial single-handle faucets.

Easy to install

Preattached supply lines make installation quick and easy.

Temperature index

Faucet handle features a red/blue temperature index.

Antitheft aerator

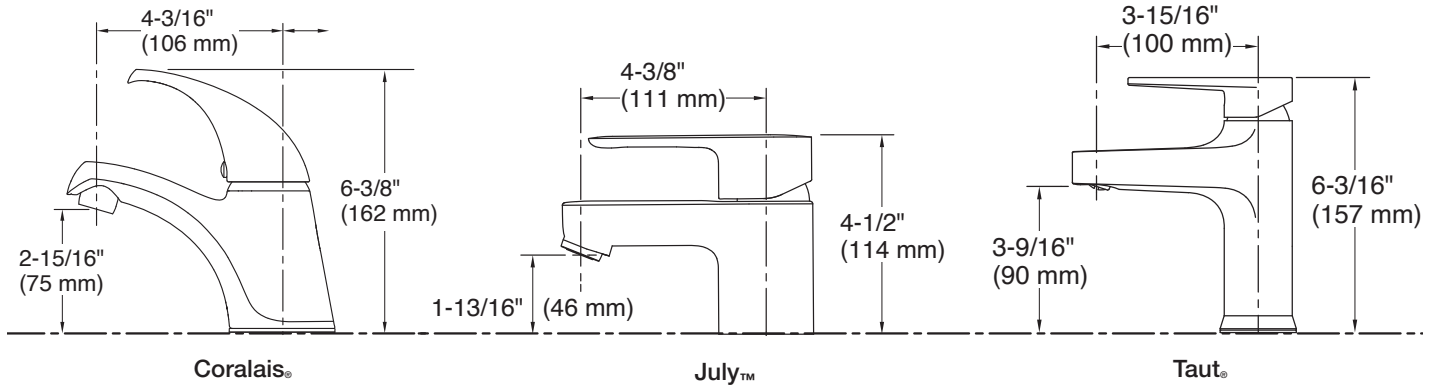
Secure aerator is vandal-resistant.

Commercial design

Multiple drain options to suit any commercial setting.

Strong performance

Durable ceramic disc valves are tested to surpass industry standards.



Model Number	Vandal-Resistant Aerator	Max Flow Rate (GPM) ¹	Optional Escutcheon	Drilling	Lift Rod/Lift Rod Hole	Drain			Red/Blue Indexing	ADA	Polished Chrome CP	Vibrant Brushed Nickel BN
						Pop-Up With Lift Rod	Grid ²	Less Drain ²				
Coralais												
K-15198-4RA	•	0.5		4" centerset			•		•	•	•	
K-15199-4NDRA	•	0.5		4" centerset				•	•	•	•	
K-15583-4RA	•	0.5		4" centerset	•	•			•	•	•	
July												
K-97282-4	•	0.5	•	Single-hole				•	•	•	•	
K-97283-4	•	0.5	•	Single-hole			•		•	•	•	
Taut												
K-46028-4	•	0.5	•	Single-hole				•	•	•	•	•
K-46029-4	•	0.5	•	Single-hole			•		•	•	•	

¹Optional 0.35 gpm aerators available. Maximum flow rates are @ 60 psi.

²Faucets do not have a lift rod/lift rod hole.



Codes/Standards

- ASME A112.18.1/CSA B125.1
- NSF/ANSI 61
- NSF/ANSI 372
- DOE Energy Policy Act 1992
- ADA
- ICC/ANSI A117.1
- CSA B651
- OBC
- All applicable U.S. federal and state material regulations.
- California Energy Commission (CEC)



Faucets with lever handles comply with the actuation force limitations of the 2010 Americans with Disabilities Act Standards for Accessible Design, Section 309 (Operable Parts), of the Act