

WEIGH MODULES

RL1600 Series SS

Stainless Steel Weigh Modules

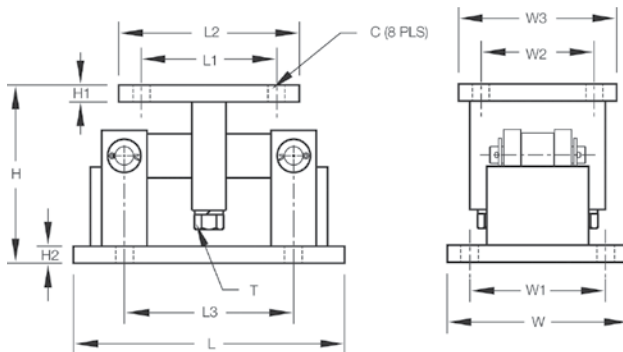


Available in configurations with three or four mounting assemblies.
Picture is a representation of actual product.

The RL1600 Series mounting module kit utilizes several Rice Lake Weighing Systems components to provide an unmatched level of performance in tank and hopper weighing applications. The RL1600 Series kit is ideally suited for indoor and outdoor process control operations in the medium-to-high-capacity ranges. Each module incorporates self-checking capabilities for thermal expansion and contraction.



Fabricated stainless steel module with RL75016 SS double-ended beam load cell.

**Dimensions**

Rated Capacity	C	H	H1	H2	L	L1	L2	L3	T	W	W1	W2	W3
lb/in													
1,000-5,000	0.56	5.00	0.50	0.50	9.25	2.75	4.00	6.25	1/2-13 UNC	5.00	3.75	2.75	4.00
10,000-25,000	0.78	7.87	0.75	0.75	12.00	6.00	8.00	7.50	3/4-10 UNC	8.00	6.00	6.00	8.00
50,000-75,000	0.78	9.25	1.00	1.00	16.25	6.50	9.00	11.50	1 1/4-7 UNC	12.00	9.50	6.50	9.00
kg/mm													
453.6-2,268.0	14.2	127.0	12.7	12.7	235.0	69.9	101.6	158.8	1/2-13 UNC	127.0	95.3	69.9	101.6
4,535.9-11,339.8	19.8	199.9	19.1	19.1	304.8	152.4	203.2	190.5	3/4-10 UNC	203.2	152.4	152.4	203.2
22,679.7-34,019.5	19.8	234.9	25.4	25.4	412.8	165.1	228.6	292.1	1 1/4-7 UNC	304.8	241.3	165.1	228.6

Complete Kit Includes

- One JB4SS NEMA Type 4X stainless steel signal trim junction box
- Three or four RL1600 stainless steel compression mounts
- Three or four RL75016 SS stainless steel double-ended shear beam load cells
- 25 ft of our hostile environment EL147HE SURVIVOR® load cell cable

Standard Features

- Capacities (per module): 1000-75,000 lb (453.6-34,019.5 kg)
- 304 stainless steel construction
- Self-checking, easy-to-use design allows module to be bolted directly to tank leg without requiring additional mounting plates or load buttons
- Environmentally protected load cells
- Double-ended shear beam design, center loaded

Optional Features

- Kits available with VPG Sensortronics 65016W SS load cells

Applications

- Medium-to heavy-capacity tanks, bins, and hoppers
- Bulk material management

Load Cell Certifications

Order Information

Load Rating (Per Module)		Part #	Price
Single Module (Does NOT Include Load Cell)			
1,000 lb-5,000 lb	453.6 kg-2,268.0 kg	17813	\$590.00
10,000 lb-25,000 lb	4,535.9 kg-11,339.8 kg	17815	\$1,150.00
50,000 lb	22,679.6 kg	17842	\$2,725.00
75,000 lb	34,019.5 kg	25347	\$2,725.00
3-Module Kit			
1,000 lb	453.6 kg	18141	\$3,355.00
1,500 lb	680.4 kg	18142	\$3,355.00
2,000 lb	907.2 kg	18143	\$3,355.00
2,500 lb	1,134.0 kg	18144	\$3,355.00
5,000 lb	2,268.0 kg	18145	\$3,355.00
10,000 lb	4,535.9 kg	18146	\$5,075.00
15,000 lb	6,803.9 kg	18147	\$5,075.00
20,000 lb	9,071.9 kg	18148	\$5,075.00
25,000 lb	11,339.8 kg	18149	\$5,075.00
50,000 lb	22,679.6 kg	18150	\$11,500.00
75,000 lb	34,019.5 kg	25352	\$11,500.00
4-Module Kit			
1,000 lb	453.6 kg	18152	\$4,380.00
1,500 lb	680.4 kg	18153	\$4,380.00
2,000 lb	907.2 kg	18154	\$4,380.00
2,500 lb	1,134.0 kg	18155	\$4,380.00
5,000 lb	2,268.0 kg	18156	\$4,380.00
10,000 lb	4,535.9 kg	18157	\$6,930.00
15,000 lb	6,803.9 kg	18158	\$6,930.00
20,000 lb	9,071.9 kg	18159	\$6,930.00
25,000 lb	11,339.8 kg	18160	\$6,930.00
50,000 lb	22,679.6 kg	18161	\$15,530.00
75,000 lb	34,019.5 kg	25353	\$15,530.00

VPG Scentroidrics 65016W Order Information

Load Rating (Per Module)		Part #	Price
3-Module Kit			
1,000 lb	453.6 kg	18213	\$3,600.00
1,500 lb	680.4 kg	18214	\$3,600.00
2,500 lb	1,134.0 kg	18216	\$3,600.00
5,000 lb	2,268.0 kg	18217	\$3,600.00
10,000 lb	4,535.9 kg	18218	\$5,475.00
15,000 lb	6,803.9 kg	18219	\$5,475.00
20,000 lb	9,071.9 kg	18220	\$5,475.00
25,000 lb	11,339.8 kg	18221	\$5,475.00
50,000 lb	22,679.6 kg	18222	\$12,000.00
75,000 lb	34,019.5 kg	25354	\$12,000.00
4-Module Kit			
1,000 lb	453.6 kg	18224	\$4,730.00
1,500 lb	680.4 kg	18225	\$4,730.00
2,500 lb	1,134.0 kg	18227	\$4,730.00
5,000 lb	2,268.0 kg	18228	\$4,730.00
10,000 lb	4,535.9 kg	18229	\$7,230.00
15,000 lb	6,803.9 kg	18230	\$7,230.00
20,000 lb	9,071.9 kg	18231	\$7,230.00
25,000 lb	11,339.8 kg	18232	\$7,230.00
50,000 lb	22,679.6 kg	18233	\$15,830.00
75,000 lb	34,019.5 kg	25355	\$15,295.00
Dummy Load Cells (Mild Steel)			
1,000 lb-5,000 lb	453.6 kg-2,268.0 kg	18236	\$21.00
10,000 lb-25,000 lb	4,535.9 kg-11,339.8 kg	18237	\$37.00
50,000 lb	22,679.6 kg	18238	\$53.00

Shims, Stainless

	Part #	Price
1,000 lb-5,000 lb		
0.0625	150852	\$3.25
0.125	150853	\$8.50
0.250	150854	\$14.25
10,000 lb-25,000 lb		
0.0625	150855	\$12.75
0.125	150856	\$20.50
0.250	150857	\$57.00
50,000 lb-75,000 lb		
0.0625	150858	\$16.25
0.125	150859	\$26.25
0.250	150861	\$72.25