

DV100

Dual View Dumpers



**WACKER
NEUSON**
all it takes!



Safe super size material handling - The dumper DV100

The DV100 dual view dumper puts a new spin on material handling. The unique concept allows the entire operator's console to swivel 180° so the operator is always facing the task, providing optimal visibility regardless of the working direction or payload size. The rotation can be conveniently performed from the driver's seat by simply unlocking the seat console and then turning it around.

- Ideal driving and working position
- Hydrostatic drive
- Simple, intuitive operation with the ergonomic rotary console
- Spacious, comfortable cab with HVAC
- Ideal for construction, landscape, golf course, cemetery, municipal and rental applications

DV100 Technical specifications

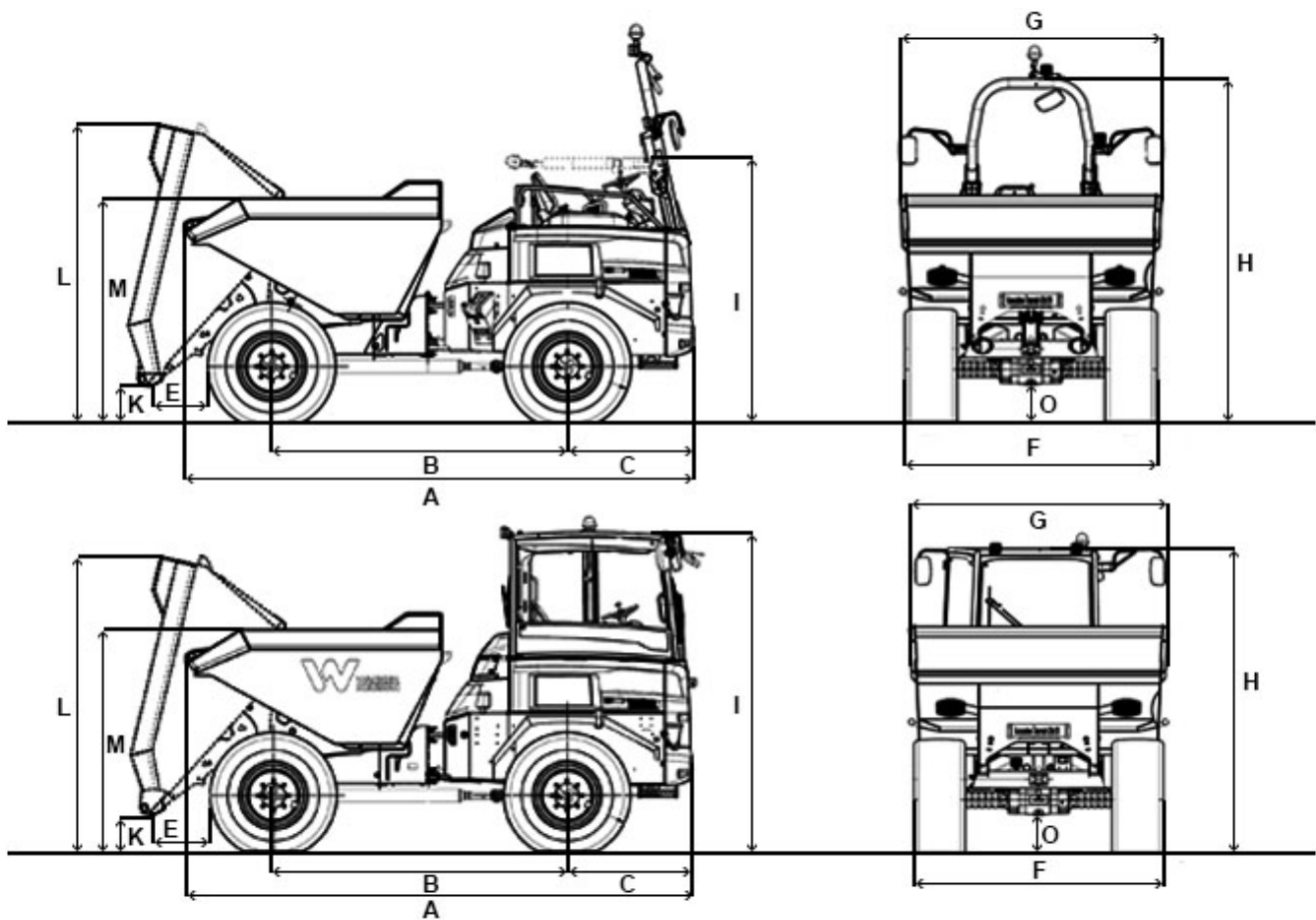
Operating data

Payload	22,046 lb
Shipping weight	10,483 lb
Shipping weight	10,483 - 10,946 lb
Operating weight	10,396.89 - 11,113.39 lb
Skip capacity - water	673.7 US gal
Skip capacity - heaped	6.5 yd ³
Skip capacity - struck	5.4 yd ³

Engine / Motor

Engine / Motor manufacturer	DEUTZ
Engine / Motor type	TD2.9 L4
Engine / Motor	water cooled 4 cylinder turbo diesel
Engine performance	74.2 hp
Displacement	177 in ³
Engine RPM	2200 rpm
Emissions	level 3b / Tier IV final
Traction drive	4WD / hydrostatic
Travel speed max.	18.64 mph
Articulation angle	28.3 °
Pendulum angle	11 °
Turning radius	266.5 in
Gradeability	50 %
Tires	500/60-22.5
L x W x H	183.5 / 95.3 / 133 in
Steering pump	axial piston pump
Flow rate	32.5 US gpm
Operating pressure	6,961.9 psi
Duty pump	gear pump
Flow rate	18.55 US gpm
Operating pressure	3,481 psi
Tank capacity	84.5 US qt
Hydraulic oil tank	17 US gal
Sound level (LwA)	101 dB(A)

DV100 Dimensions



		Front tip skip
A	Overall length ROPS	183.6 in
A	Overall length Cabin	183.6 in
B	Wheelbase	106.4 in
C	Rear overhang ROPS	45.6 in
E	Dumping distance	21.6 in
F	Width	95.3 in
G	Skip width	98.7 in
H	Height ROPS	133.25 in
I	Height ROPS tilted	94.8 in
J	Height Cabin	116 in
K	Dump height max.	12.8 in
L	Skip height tilted	107.29 in
M	Skip height not tilted	80.4 in
O	Ground clearance	14 in
-	Dump angle	48 °

Please note: that product availability can vary from country to country. It is possible that information / products may not be available in your country. More detailed information on engine power can be found in the operator's manual; the stated power may vary due to specific operating conditions. Subject to alterations and errors excepted. Applicable also to illustrations.

Copyright © 2020 Wacker Neuson SE.