
SERIES 5A, 5B and 5C VALVE STATUS MONITOR



BRAY.COM

 **Bray**[®]

THE HIGH PERFORMANCE COMPANY

INTRODUCTION

The Bray Series 5A, 5B and 5C Valve Status Monitors (VSM) provide reliable visual and electrical position indication on any VDI/VDE 3845-compliant quarter-turn device. Series 5A offers lightweight, compact housing to fit the tightest spots. Series 5B features a larger body to accommodate up to 20 terminal points and six switches for increased customization. Our explosion-proof Series 5C provides unparalleled protection and reliability during service in the harshest environments. Our solutions enable end users to better monitor their process, no matter the conditions.

FEATURES

- 1 Enclosure**
The compact weatherproof switchbox is certified NEMA Type 4, 4x and IP66/67.
- 2 High Visibility Position Indicator**
Visual open and closed indication is provided with an impact resistant dome style indicator. Inverting the open and closed visual output is easily done by removing the dome and rotating it 90 degrees. There is no need to remove the cover and expose internal wiring of the VSM to change position indication.
- 3 Stub Shaft Secondary Seal**
Ensures indicator area is separate from the VSM's internals. Provides a secondary seal to prevent water ingress should the dome or dome seal become compromised due to adverse site conditions.
- 4 Captive Cover Bolts**
The cover is attached to the base by captive stainless steel bolts placed outside the sealing area.
- 5 O-Ring Seal For Watertight Enclosure**
The O-ring seal between the cover and base provides a weatherproof seal preventing internal corrosion.

CERTIFICATIONS

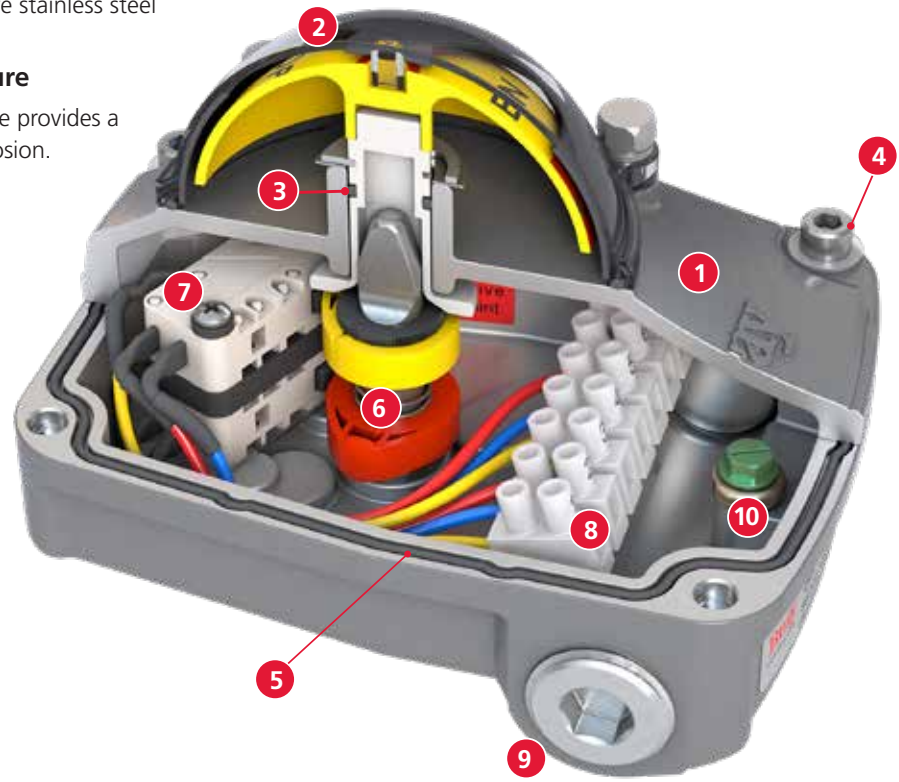
- IP66/67/68
- NEMA Type 4X
- cULus
- UL50E Salt Spray
- ATEX
- IECEx
- CE



- 6 Sensor Cams**
Splined cam design allows for easy and accurate setting of switch activation without the use of tools.
- 7 Limit Switches**
Multiple switch options and configurations to meet connectivity requirements.
- 8 Terminals**
Clearly marked terminal blocks are angled towards the user to ensure easy access.
- 9 Conduit Entries**
Conduit entries available in either imperial or metric threads.
- 10 Grounding**
Green color-coded, easy-access grounding bolt.

SERIES 5A

- Weatherproof
- Low weight and compact



Double Seal

Secondary seal allows for the unit to remain weather tight in the unlikely event of a dome failure.

Protective Washer

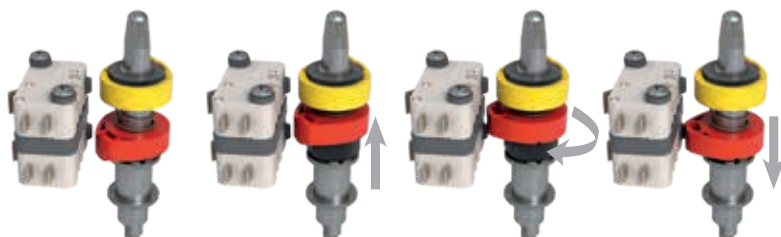
Prevents chipping or scratching of coating when removing/attaching bolts.

- SERIES 5B**
- Weatherproof
 - Up to 6 switches and 20 terminal points

- SERIES 5C**
- Explosion-proof
 - Multiple switch options

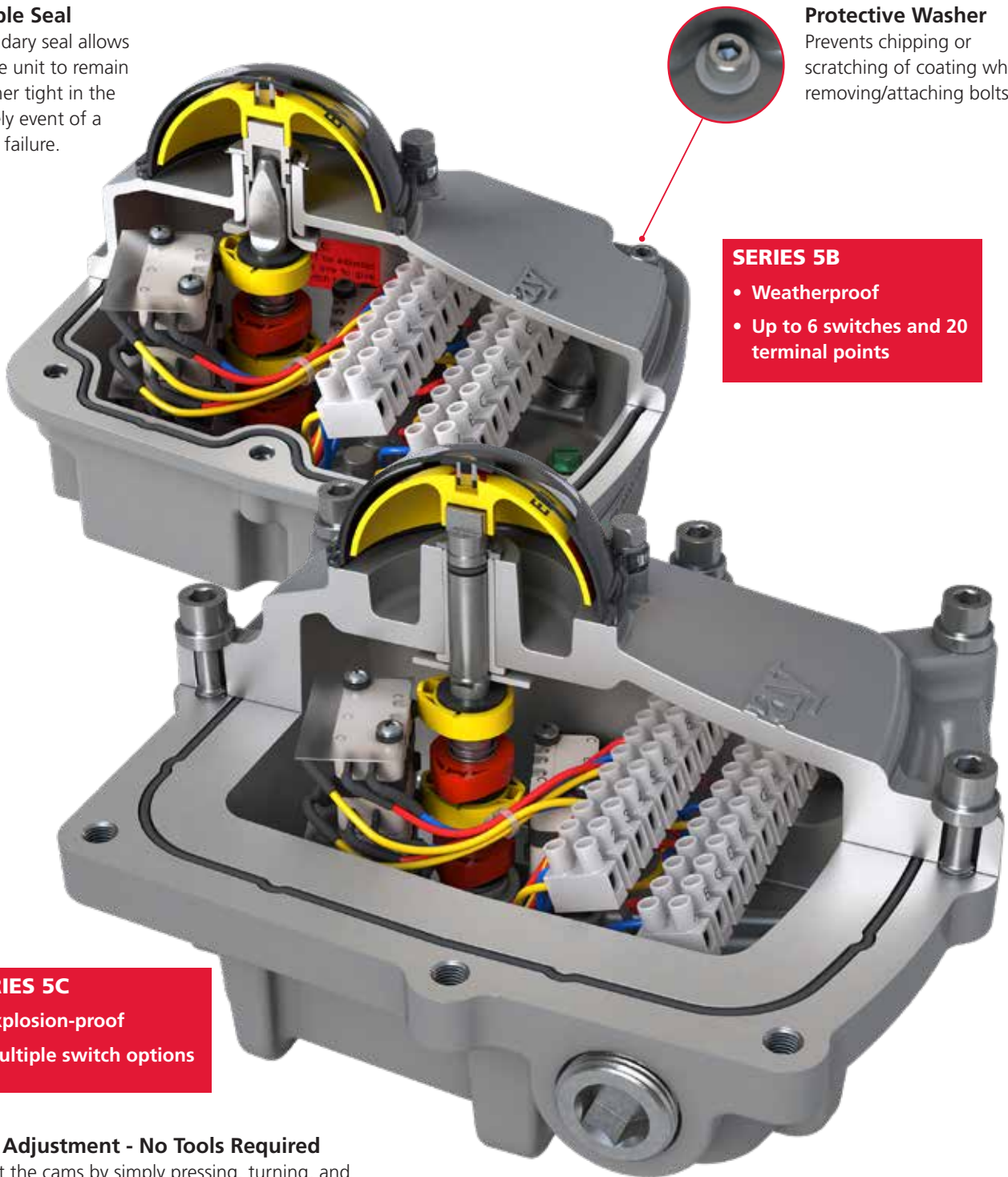
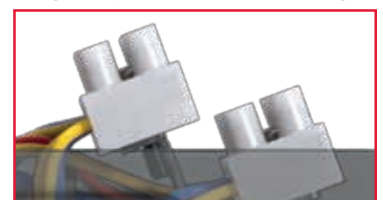
Cam Adjustment - No Tools Required

Adjust the cams by simply pressing, turning, and releasing at a new position. No tools required.



Easy Access Terminals

Angled up for easier field wiring.



CHOOSE YOUR ENCLOSURE MATERIAL

The Bray switchboxes are designed for any environment and application. The weatherproof options are available in two material alternatives: a die-cast aluminum housing coated with 2-layers of polyester or a new fiberglass reinforced PBT body. Regardless of your choice, you can expect Bray's product robustness with exceptional corrosion, wear, impact and ultraviolet resistance.

**OPTIONAL INDICATOR COLOR SCHEMES**

Our rugged high-visibility indicator is now available in multiple color schemes to give you the flexibility to meet your local customer demands. It can be ordered from the factory or retrofitted in the field.



FLEXIBLE MOUNTING OPTIONS

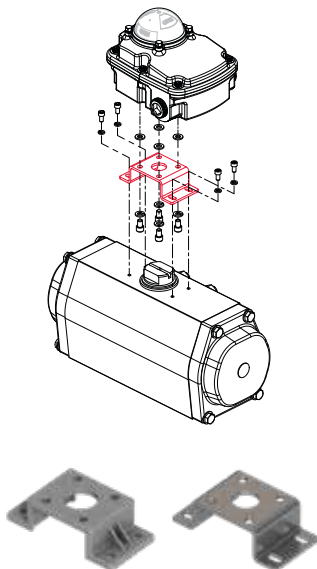
Users have the ability to mount the VSMs in both perpendicular and parallel orientations without changing brackets to better align with the customer conduit connection. The visual indication can also be inverted by rotating the indicator 90 degrees.


UNIVERSAL NAMUR MOUNTING BRACKET

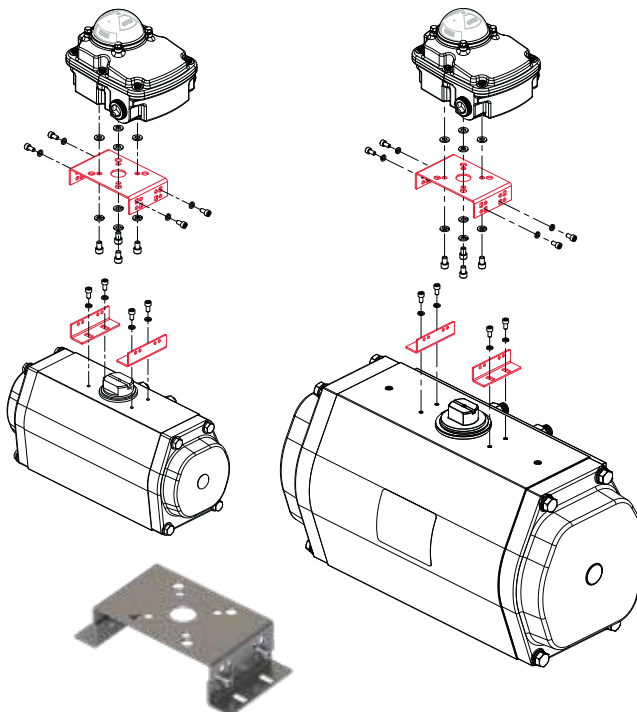
Bray's VSMs can be mounted to most NAMUR compliant rack and pinion, scotch yoke and other quarter-turn actuators.

> Stainless steel or resin fixed bracket NAMUR 30 x 80

> Resin fixed bracket NAMUR 30 x 130



> Stainless steel adjustable bracket for both NAMUR 30 x 80 and 30 x 130 mounting pads (fits all 92/93/98 actuators)



> Common mounting F05 pattern ISO5211



HAZARDOUS LOCATION PROTECTION

Hazardous locations, defined as any location where there is risk of explosion or fire, require the toughness and dependability of the Bray Series 5A/B/C Valve Status Monitors (VSMs). Protection methods differ depending on the demands of the environment and customer application. The Bray Valve Status Monitors offer options for Intrinsically Safe protection, as well as Explosion-proof and dust protection.

5A/5B: Intrinsically Safe

The Series Bray 5A and 5B Intrinsically Safe (Ex ia) valve status monitors are designed to limit the electrical and thermal energy to prevent ignition. The Series 5 A/B I.S. share the same customer features and benefits as our standard Valve Status Monitor. Industry-leading Pepperl+Fuchs NAMUR switches make the Series 5A and 5B VSMs a safe, reliable valve monitoring solution with unmatched adaptability.

NEC 500	Class I Division 1 Groups A, B, C, & D T6 Class II Division 1 Groups E, F, G T85°C
NEC 505	Class I, Zone 0, AEx ia IIC T6 Class I, Zone 1, AEx ia IIC T6
CEC	Ex ia IIC Gb T6
ATEX	II 1G Ex ia IIC Ga T6
IECEx	II 2G Ex ia IIC Gb T6



5C: Explosion-Proof

The Series 5C certified Flameproof (Ex d) and dust protection (Ex t) valve status monitor are designed to contain any explosions that may occur within the enclosure. The Series 5C valve status monitor shares much of its design with the Series 5A/5B VSM. The Series 5C design incorporates an additional rear conduit entry and explosion-proof housing for several switch options, offering exceptional safety, flexibility and durability. The Series 5C also features improved certificates including dust protection, a higher gas rating, and ATEX/ IECEx for more global applications.

NEC 500	Class I Division 1 Groups A, B, C & D T6
	Class I Division 1 Groups B, C & D T6 (cUL only)
	Class II Division 1 Groups E, F, G T85°C
ATEX	II 2 G Ex db IIB + H2 T6 Gb
IECEx	II 2 D Ex tb IIIC T85°C Db IP66/67/68



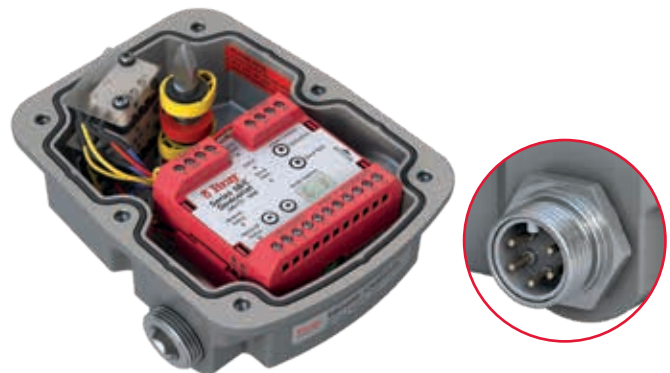
COMMUNICATION PROTOCOLS

Users can integrate the Series 5B and 5C VSMs into their communications network using industry-standard network protocols AS-i, DeviceNet™, and PROFIBUS DP. These protocols replace the chaotic web of cables used for a mixed signal control system with as little as a single network cable, reducing design complexity and cost. Most users can reduce their installation and commissioning cost by as much as 50% per automated valve package compared to conventional cabling systems.

To communicate on the network of choice, the S5B/C VSMs utilize a network interface card- the CommPro module. These interchangeable modules provide the powerful capabilities of network protocols with an easy-to-use interface. The CommPro modules clearly marked terminals allow for easy wiring and rapid commissioning, also available as a "plug & play" option with factory wired pin connectors. Discrete position control is achieved using two solenoid outputs for added convenience without additional cost.

User features include:

- Module status LED and calibration button to test outputs and indicate faults.
- Network status LED for connection signal.
- VSM position LED to locally indicate open/close status.
- Local node address selection and display (available for DeviceNet™ and Profibus)



DeviceNet™



AS-i



Profibus DP

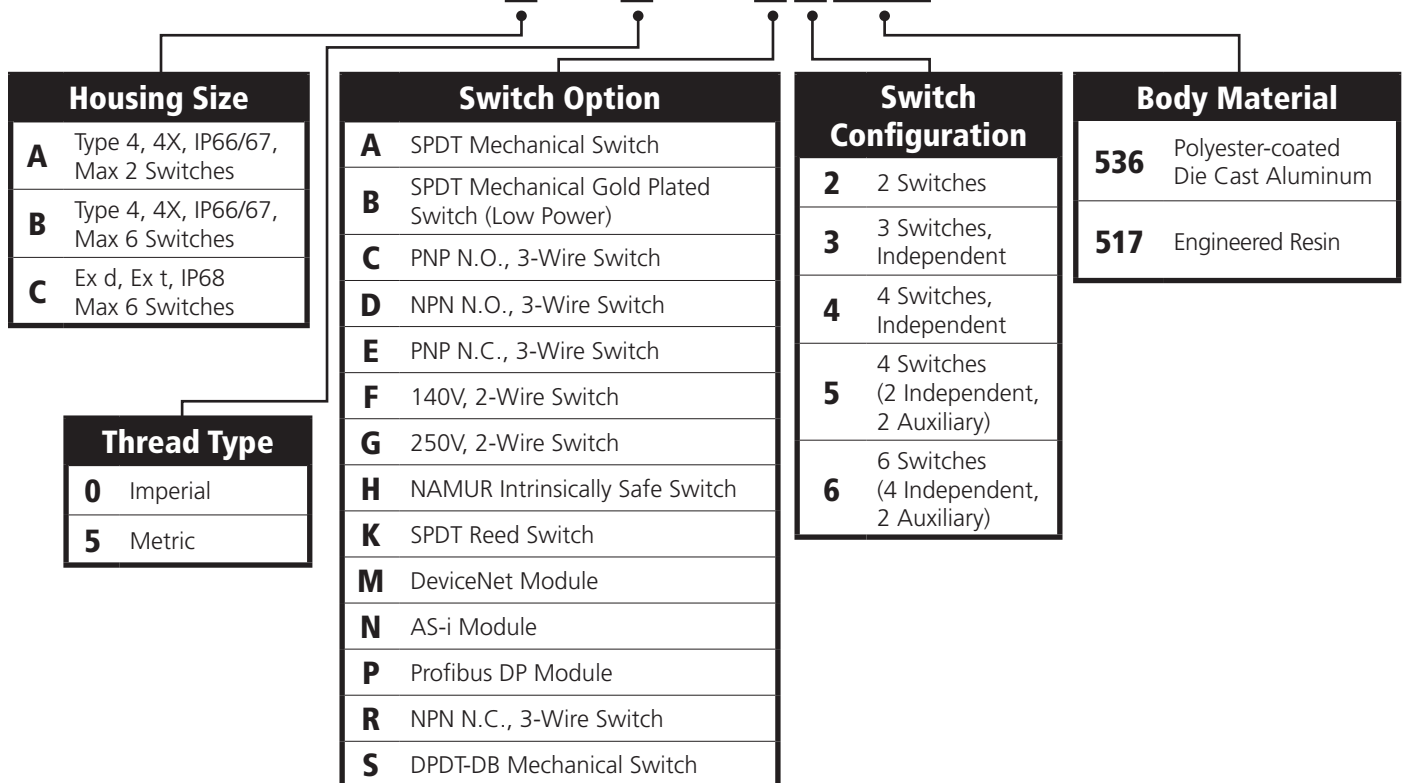
INDICATION SWITCH OPTIONS

Bray's VSM product line is offered with multiple indication switch options to better suit the end user's requirements.



		Series 5A Max Qty.	Series 5B Max Qty.	Series 5C Max Qty.
MECHANICAL SWITCHES	SPDT Mechanical Switch	2	6	6
	SPDT Mechanical Gold Plated Switch (Low Power)	2	6	6
	DPDT-DB Mechanical Switch	N/A	2	2
PROXIMITY SWITCHES	PNP N.O., 3-Wire Switch	2	6	6
	NPN N.O., 3-Wire Switch	2	6	6
	PNP N.C., 3-Wire Switch	2	6	6
	NPN N.C., 3-Wire Switch	2	6	N/A
	140V, 2-Wire Switch	2	6	6
	250V, 2-Wire Switch	2	6	N/A
	SPDT Reed Switch	2	6	N/A
COMMPRO	NAMUR Intrinsically Safe	2	6	N/A
	DeviceNet (with SPDT switches)	N/A	4	4
	AS-i (with SPDT switches)	N/A	4	4
	Profibus DP (with SPDT switches)	N/A	4	4

5X000X-126X X XXX





BRAY FLOW CONTROL SOLUTIONS ARE AVAILABLE FOR A VARIETY OF INDUSTRIES.

ENERGY

Mining
Oil & Gas
Power / FGD
Nuclear Power

WATER

Water / Wastewater
Ultra Pure Water
Desalination
Irrigation

INDUSTRIAL

Chemical
Pulp & Paper
Textile
Marine

INFRASTRUCTURE

Beverage & Food
Transportation
Heating, Ventilation & Air Conditioning (HVAC)



US HEADQUARTERS

Bray International, Inc.
13333 Westland East Blvd.
Houston, Texas 77041
Tel: 281.894.5454

CHINA HEADQUARTERS

Bray Controls (ZheJiang) Co. Limited
98 GaoXin # 6 Road
XiaoShan Economic & Development Zone
HangZhou, ZheJiang 311231, P.R. China
Tel: 86 571 8285 2200

EUROPE HEADQUARTERS

Bray Armaturen & Antriebe Europa
Halskestraße 25
47877 Willich
Germany
Tel: +49 2154 8875-0

INDIA HEADQUARTERS

Bray Controls India Pvt. Ltd.
Plot No. H-18 & H-19
SIPCOT Industrial Park
Vallam Vadagal, Echoor Post
Sriperumbudur Taluk
Kancheepuram District
Tamil Nadu - 631 604
Tel: +91-44-67170100



THE SMART CHOICE FOR FLOW CONTROL SINCE 1986.
WITH MORE THAN 300 LOCATIONS WORLDWIDE,
FIND A REPRESENTATIVE NEAR YOU AT BRAY.COM

All statements, technical information, and recommendations in this bulletin are for general use only. Consult Bray representatives or factory for the specific requirements and material selection for your intended application. The right to change or modify product design or product without prior notice is reserved. Patents issued and applied for worldwide.