

Skid Steer and Compact Track Loaders (Medium Frame)



**WACKER
NEUSON**
all it takes!



Built to outlast, outwork, outdo.

What do you expect from a loader? How about a performance beast without the maintenance burden? Wacker Neuson's new line of medium frame skid steer and compact track loaders feature an industry leading hinge pin height, exceptional hydraulic power and engine torque, and a superior capacity fuel tank to help you get more done in less time. Add to that an intuitively-designed, high visibility cab and you have a loader that is built to last as long, work as hard, and do as much as you do.

Match the right machine to your application.



Skid Steer vs. Track Loader Comparison

	Skid Steer	Track Loader
Application		
Working on asphalt/concrete	●	—
Demolition	●	—
Excavation on soft surfaces	—	●
Working in muddy conditions	—	●
Low ground disturbance	—	●

Vertical vs. Radial Comparison

	Vertical Lift	Radial Lift
Application		
Pallet fork	●	—
Truck loading	●	—
Post hole auger operation	●	—
Excavation in hard soil	—	●
Heavy lifting to truck bed height	—	●



SW16
Radial Lift

ROC 50% = 1,600 lbs



SW20
Vertical Lift

ROC 50% = 2,000 lbs



SW17
Radial Lift

ROC 50% = 1,700 lbs



SW21
Vertical Lift

ROC 50% = 2,100 lbs

SKID STEER LOADERS

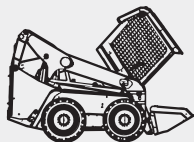
Performance, Versatility, Convenience.

10'4"
CLASS LEADING
HINGE PIN HEIGHT

4 LONGEST ENGINE WARRANTY IN INDUSTRY
4 YEARS
4,000 HOURS

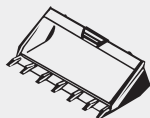
NO DPF
NO REGEN
NO MAINTENANCE

221 ft-lb
CLASS LEADING
ENGINE TORQUE



FORWARD TIP CAB
FULLY TILTS WITH ARMS DOWN

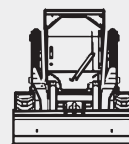
30 GALLON FUEL TANK
MAXIMUM UPTIME



CLASS LEADING HYDRAULIC HP

STAND = 38.6 HP / HF = 57.2 HP

HAND / FOOT
CONTROLS FOR ANY OPERATOR
ISO PATTERN / H PATTERN



CAB ACCESS AND COMFORT
WIDE DOOR / NO LAP BAR



All models are engineered with German precision and built with American pride.



ST28
Radial Lift

ROC 50% = 2,800 lbs



ST31
Vertical Lift

ROC 50% = 3,100 lbs

COMPACT TRACK LOADERS

A new era of productivity.

Wheeled and track models to handle every job.

Different jobs call for different needs from your machine. We offer various lift arm configurations that meet those demands. With an industry leading 11' 2" bucket pin height on the vertical configurations and 10' 5" bucket pin height on the radial configurations, loading and unloading, even the most difficult materials into different truck types, becomes an easy everyday task.



Reduced time between jobsites with 10 MPH top speed.



Category leading hydraulic horsepower maximizes efficiency of high performance attachments.





Reliable in any application and proven to stand up to the most rugged conditions.



SW16, SW20

The Wacker Neuson Skid Steer Loaders (SSL) offer the power and torque needed for any job site. The SW16 Radial Lift delivers 1,600 lbs of rated operating capacity (ROC) at 50% of tip load and a lift height up to 118 inches. The SW20 Vertical Lift delivers 2,000 lbs ROC at 50% and a lift height up to 124 inches. Both machines are equipped with a 56 hp turbo-charged Kohler Tier 4 Final engine and features an industry leading 4 year/4,000 hour warranty. Mechanical Hand-Foot and selectable EH controls ensure our machines will fit the preferences of any user. Ergonomically designed operator station offers a wide door, angled pedals and foot-bed, and conveniently located switches, allowing for significantly reduced operator fatigue. Additional options available for dealer installation include variable speed fan, zero-drift hydraulic valve, ride control, one-way bucket leveling and more.



Expansive door
allows for easy access.

	SW16	SW20
Horsepower	56 hp	56 hp
Operating weight	6,170 lbs	6,437 lbs
ROC @ 50%	1,600 lbs	2,000 lbs
Bucket hinge height	118.1"	124.0"
Std. hydraulic flow	20 gpm	20 gpm

Recessed faster block helps prevent impact with attachments.



Compact dimensions for entering buildings, high advance during loading.



Factory options:

- Fully Enclosed, Pressurized Cab, Heat, Air Conditioning
- Polycarbonate Door
- Deluxe Display (5.7" color LCD screen)
- Back-up Camera
- Hydraulic Coupler
- Selectable EH Joystick Controls (ISO/H Pattern)
- Variable Speed Fan
- Mechanical Suspension Seat
- 3" 3-point Seat Belt
- Two Speed Drive - 8.0/12.0 mph (12.9/19.3 kph)
- Zero-Drift Hydraulic Valve
- Cyclonic Engine Pre-Cleaner
- Foot Throttle (EH Controls only)
- 14-Pin Attachment Control

SW17, SW21

The Wacker Neuson Skid Steer Loaders (SSL) offer the power and torque needed for any job site. The SW17 radial lift delivers 1,700 lbs of ROC at 50% of tip load and a lift height up to 118 inches. The SW21 vertical lift delivers 2,100 lbs of ROC at 50% and a lift height up to 124 inches. Both machines are equipped with a 74 hp turbo-charged Kohler Tier 4 Final engine and features an industry leading 4 year/4,000 hour warranty. Mechanical Hand-Foot and selectable EH controls ensure our machines will fit the preferences of any user. The ergonomically designed operator station offers a wide door, angled pedals and foot-bed, and conveniently located switches, allowing for significantly reduced operator fatigue. Additional options available for dealer installation include high flow hydraulics, variable speed fan, zero-drift hydraulic valve, ride control, one-way bucket leveling and more.



Four tie-down points
are easy to access and
DOT compliant.

	SW17	SW21
Horsepower	74 hp	74 hp
Operating weight	6,245 lbs	6,512 lbs
ROC @ 50%	1,700 lbs	2,100 lbs
Bucket hinge height	118.1"	124.0"
Std. hydraulic flow	20 gpm	20 gpm



Recessed rear work lights with optional protection help prevent damage in close quarters.

Forward tipping cab provides easy access to key components.



Factory options:

- Fully Enclosed, Pressurized Cab, Heat, Air Conditioning
- Polycarbonate Door
- Deluxe Display (5.7" color LCD screen)
- Back-up Camera
- Hydraulic Coupler
- Selectable EH Joystick Controls (ISO/H Pattern)
- Variable Speed Fan
- Mechanical Suspension Seat
- 3" 3-point Seat Belt
- Two Speed Drive - 8.0/12.0 mph (12.9/19.3 kph)
- Zero-Drift Hydraulic Valve
- Cyclonic Engine Pre-Cleaner
- Foot Throttle (EH Controls only)
- 14-Pin Attachment Control
- 30 gal./min. High Flow

ST28, ST31

The Wacker Neuson Compact Track Loaders (CTL) deliver high operating capacity and maneuverability across rugged terrain. The ST28 Radial Lift delivers 2,800 pounds of rated operating capacity at 50% and a lift height over 119 inches. The ST31 Vertical Lift delivers 3,100 lbs of ROC at 50% and a lift height up to 125 inches. Both machines are equipped with a 74 hp turbo-charged Kohler Tier 4 Final engine and features an industry leading 4 year/4,000 hour warranty. Mechanical Hand-Foot and selectable EH controls ensure our machines will fit the preferences of any user. Our track loaders offer users decreased ground pressure and increased digging performance through our class-leading track-on-ground. Additional options available for dealer installation include high flow hydraulics, variable speed fan, zero-drift hydraulic valve, ride control, one-way bucket leveling and more.



Combination of single, double and triple idlers provide a smooth, quiet ride for the operator.

	ST28	ST31
Horsepower	74 hp	74 hp
Operating weight	7,829 lbs	8,095 lbs
ROC @ 50%	2,800 lbs	3,100 lbs
Bucket hinge height	119.6"	125.5"
Std. hydraulic flow	20 gpm	20 gpm



Class leading track-on-ground of 57.2" decreases ground pressure.

Compact dimensions for entering buildings, high advance during loading.

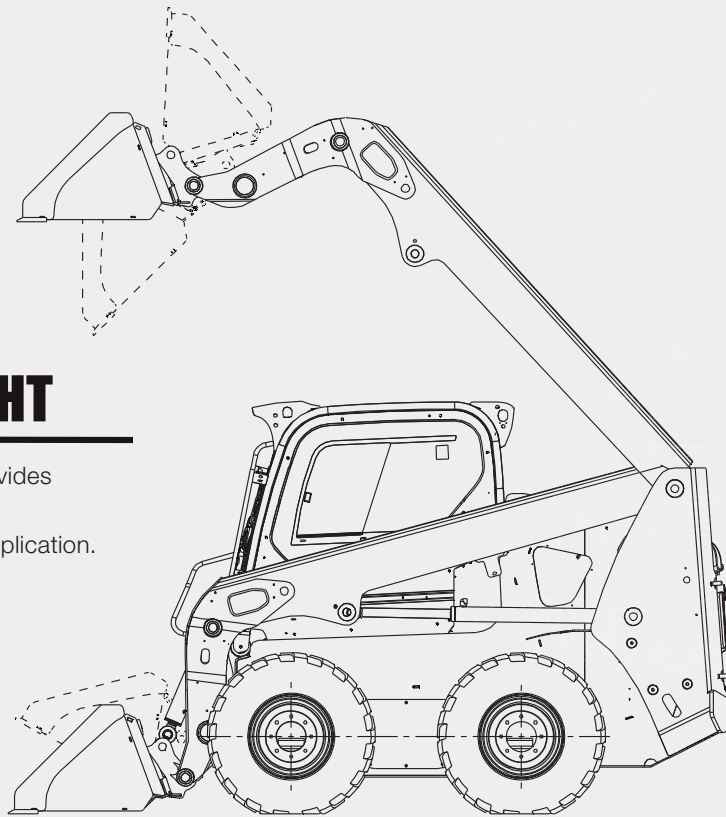


Factory options:

- Fully enclosed pressurized cab with HVAC system
- Polycarbonate door
- Deluxe display (5.7" color LCD screen)
- Back-up camera
- Hydraulic coupler
- Selectable EH joystick controls (ISO/H Pattern)
- Variable speed fan
- Mechanical suspension seat
- 3" 3-point seat belt
- Two speed drive - 7.0/9.5 mph (11.3/15.3 kph)
- Zero-Drift Hydraulic Valve
- Cyclonic engine pre-cleaner
- 30.2 gal/min high flow
- Foot throttle (EH controls only)

10'4"
CLASS LEADING
HINGE PIN HEIGHT

Class-leading hinge pin height provides maximum loading and unloading capabilities, no matter what the application.



4 **LONGEST ENGINE**
WARRANTY
IN INDUSTRY
4 YEARS
4,000 HOURS

Both first and second life owners can be assured that their engine will be operating smoothly for years to come. Our Kohler engines are backed by a best-in-class transferable engine warranty of four years or 4,000 hours, providing a great value to customers buying the machine new, out of a rental fleet or pre-owned.

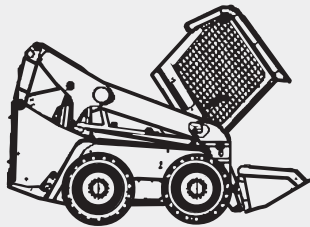
NO DPF **NO REGEN** **NO MAINTENANCE**

The Kohler diesel engine features a maintenance-free, regeneration-free after-treatment system, eliminating the impact of extreme heat or of the need for filters.



221 ft-lb **CLASS LEADING** **ENGINE TORQUE**

An engine torque of 221 foot-pounds provides the power needed for improved ground-engaging performance in all kinds of terrain.



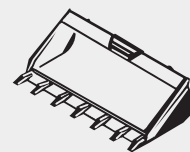
FORWARD TIP CAB **FULLY TILTS WITH ARMS DOWN**

The only cab that fully tips forward with the arms down, providing complete access to all maintenance components, no matter what the situation.



30 GALLON FUEL TANK MAXIMUM UPTIME

The 30-gallon fuel tank gives operators more time in the cab, and less time refueling.



CLASS LEADING HYDRAULIC HP

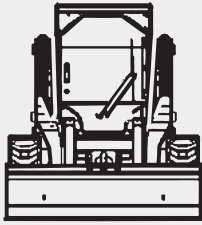
STAND = 38.6 HP / HF = 57.2 HP

Category-leading hydraulic horsepower in standard and high-flow enables these machines to handle high-performance attachments like rakes, mowers, tillers and augers with ease.

HAND / FOOT CONTROLS FOR ANY OPERATOR ISO PATTERN / H PATTERN

Mechanical Hand-Foot and selectable EH options (ISO/H-Pattern) ensure operators with experience using any competitive model can easily operate these machines.





CAB ACCESS AND COMFORT WIDE DOOR / NO LAP BAR

When was the last time “compact” and “comfortable” were used to describe a skid steer? When Wacker Neuson designed this cab, we did so with one thing in mind: the operator. Our design process considers the moment the operator enters the space, accounts for all user movements and positions during operation, and continues through operator exit. The result is a spacious cab with ergonomically designed user

interfaces and seating, and all controls located in front of the operator.

ISO or H-pattern controls are available on Skid Steer and Compact Track Loader models, offering flexibility with a minimal learning curve for all operators. The machines are configured to be operated by two ergonomically designed joysticks to minimize operator fatigue.

Cab Layout Designed For Long Days

From switch location and layout to an angled foot rest in the floor board, the cab was purposefully designed to be comfortable during long hours of use, significantly reducing operator fatigue.

ISO Controls provide machine driving controls with the left joystick, while the right joystick controls the movements of the arm and attachment.

H-pattern Controls provide control of the left drive and lift, while the right joystick manages the right drive and the tilt of the attachment.

Hydraulic Pilot Controlled Joysticks are standard on all loaders for smooth response and precision. They make the machine easy to control and are reliable and consistently precise over a long machine life.



Versatility that will stretch your productivity.

Wacker Neuson understands the value of accomplishing more tasks in less time. That's why we designed our skid steer and compact track loaders with a standard universal skid steer attachment plate and a Faster Hydraulic Block that enables attachments to be switched out easily. Category-leading hydraulic horsepower in standard and high-flow enables these machines to handle high-performance attachments like rakes, mowers, tillers and augers with ease, adding to your capabilities. In addition, the 30-gallon fuel tank gives operators more time in the cab, and less time refueling. It all adds up to a better bottom line.

Mechanical Universal

Attachment Plate: All models come standard with an easy-to-use mechanical universal attachment plate which is compatible with most skid steer attachments in the marketplace.



Hydraulic Universal Attachment Plate

(optional on all machines) allows the operator to quickly and easily install and remove attachments without ever leaving the cab. (Only use if auxiliary hydraulic connections are required).



Available Attachment Kits

- Ag forks
- Augers
- Bale spears (round, square)
- Blades (snow, utility)
- Breakers / hammers
- Brooms (angle, pickup)
- Cold planers
- Dozer blades
- Grapples (ag utility, brush-tined, scrap)
- Landplanes
- Mulching head
- Multipurpose buckets
- Pallet forks
- Power rakes
- Rock buckets
- Roller levels
- Rotary cutters
- Rotary tillers
- Scrapers (material, manure)
- Side-discharge buckets
- Snow blowers
- Snow pushers
- Toothbar
- Trenchers

Easy-to-change attachments:

All machines come standard with Faster Hydraulic Blocks for quick changing of hydraulic attachments. By pressing on the coupler, back pressure is relieved to the tank, making it easy to attach the lines.



See website for more options.

Ease of access

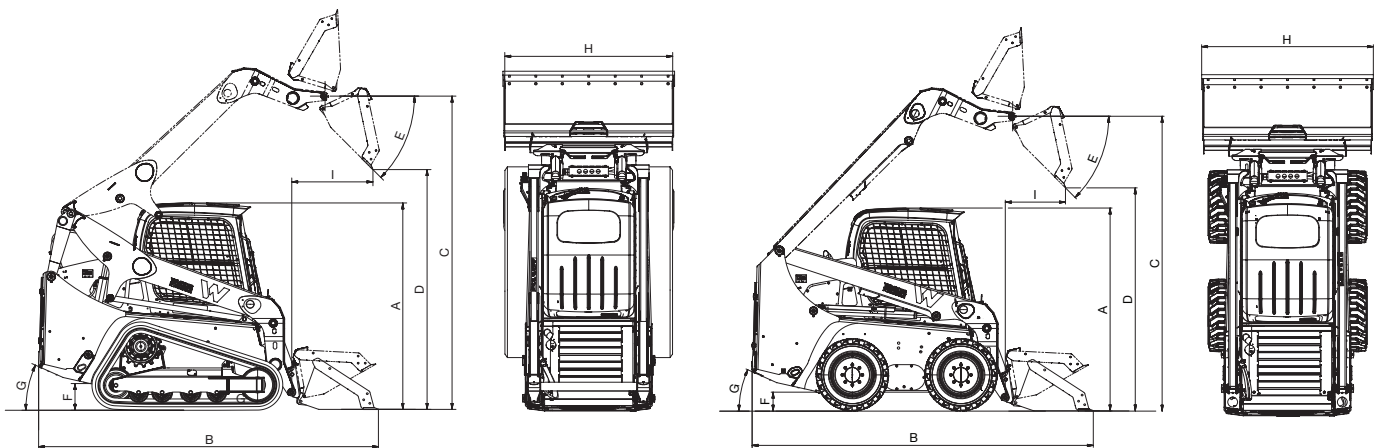
Forward tipping cab provides ample room to access the key components of the machine. The rear engine door opens out, while the top access door tilts up providing accessibility to nearly 100% of the engine components.



Technical data

		SW16	SW20	SW17	SW21	ST28	ST31	
		UNIT						
TECHNICAL DATA	Bucket dump angle w/ bucket at max. height	Degrees	42	42	42	42	42	
	Engine power	hp (kW)	56 (42)	56 (42)	74 (55)	74 (55)	74 (55)	
	Engine make/model		Kohler KDI 1903 with DOC Tier 4 Final 3-cylinder water-cooled turbo diesel		Kohler KDI 2504 with DOC Tier 4 Final 4-cylinder water-cooled turbo diesel		Kohler KDI 2504 with DOC Tier 4 Final 4-cylinder water-cooled turbo diesel	
	Operating weight	lb (kg)	6,170 (2,799)	6,437 (2,920)	6,245 (2,832)	6,512 (2,954)	7,829 (3,551)	8,095 (3,671)
	ROC 50%	lb (kg)	1,600 (725)	2,000 (907)	1,700 (771)	2,100 (953)	2,800 (1,270)	3,100 (1,270)
	ROC 35%	lb (kg)	-	-	-	-	1,960 (889)	1,960 (889)
	Fuel capacity	gal (l)	30 (114)	30 (114)	30 (114)	30 (114)	30 (114)	30 (114)
	Aux. flow (standard)	gal (l)/min	20 (76)	20 (76)	20 (76)	20 (76)	20 (76)	20 (76)
	Aux. flow (high flow)	gal (l)/min	-	-	30 (113.6)	30 (113.6)	30 (113.6)	30 (113.6)
	Aux. relief pressure	psi (bar)	3,500 (241)	3,500 (241)	3,500 (241)	3,500 (241)	3,500 (241)	3,500 (241)
	Travel speed (low)	mph (kph)	0 - 8.0 (0 - 12.9)	0 - 8.0 (0 - 12.9)	0 - 8.0 (0 - 12.9)	0 - 8.0 (0 - 12.9)	0 - 7 (0 - 11.3)	0 - 7 (0 - 11.3)
	Travel speed (high)	mph (kph)	0 - 12.0 (0 - 19.3)	0 - 12.0 (0 - 19.3)	0 - 12.0 (0 - 19.3)	0 - 12.0 (0 - 19.3)	0 - 9.5 (0 - 16.1)	0 - 9.5 (0 - 16.1)

		SW16	SW20	SW17	SW21	ST28	ST31	
		UNIT						
DIMENSIONS	A Height to top of ROPS	ft in (mm)	81.5 (2,070)	81.5 (2,070)	81.5 (2,070)	81.5 (2,070)	83.0 (2,108)	
	B Overall length with bucket	ft in (mm)	134.9 / 106.6* (3,426 / 2,708)	134.9 / 106.6* (3,426 / 2,708)	134.9 / 106.6* (3,426 / 2,708)	134.9 / 106.6* (3,426 / 2,708)	136.6 / 106.6* (3,470 / 2,708)	136.6 / 106.6* (3,470 / 2,708)
	C Bucket hinge pin lift height	ft in (mm)	118.1 (3,000)	124.0 (3,150)	118.1 (3,000)	124.0 (3,105)	119.6 (3,038)	125.5 (3,188)
	D Bucket dump height at max. height	ft in (mm)	90.6 (2,301)	96.5 (2,451)	90.6 (2,301)	96.5 (2,451)	91.3 (2,319)	97.2 (2,469)
	E Bucket dump angle w/ bucket pin at 124 in	degrees	42	42	42	42	42	42
	F Ground clearance	in (mm)	7.6 (193)	7.6 (193)	7.6 (193)	7.6 (193)	9.1 (231.1)	9.1 (231.1)
	G Angle of departure	degrees	24	24	24	24	30.7	30.7
	H Overall width	in (mm)	65.9 (1,674)	65.9 (1,674)	65.9 (1,674)	65.9 (1,674)	67.1 (1,704)	67.1 (1,704)
	I Dump reach at max height	in (mm)	34.1 (866)	34.1 (866)	34.1 (866)	34.1 (866)	27.8 (705)	36 (913)



Standard equipment and options

STANDARD FEATURES

	SW16	SW20	SW17	SW21	ST28	ST31
Lift arm type	Radial	Vertical	Radial	Vertical	Radial	Vertical
55 HP Kohler Tier IV Final diesel engine	●	●	-	-	-	-
74.3 HP Kohler Tier IV Final diesel engine	-	-	●	●	●	●
ROP's / FOP's Level 1 canopy with side screens	●	●	●	●	●	●
Mechanical hand-foot controls	●	●	●	●	●	●
Mechanical coupler	●	●	●	●	●	●
Deluxe interior	●	●	●	●	●	●
Static seat (sliding only)	●	●	●	●	●	●
Single speed drive	●	●	●	●	●	●
10" x 16.5" All-terrain tires	●	●	●	●	-	-
320mm Wide tracks	-	-	-	-	●	●
950cca Battery	●	●	●	●	●	●
Single speed cooling fan	●	●	●	●	●	●
20.1 gal/min auxiliary flow	●	●	●	●	●	●
2" Seat belt	●	●	●	●	●	●
3" Single color display	●	●	●	●	●	●
2 Front single beam working lights	●	●	●	●	●	●
2 Rear working lights	☒	☒	☒	☒	☒	☒



Added value.

Warranty • Finance • Parts Availability



**WACKER
NEUSON**
all it takes!

Products are only as good as the service, technical support and training behind them. Wacker Neuson and our network of dealers provide everything you need to keep running at peak performance.



**5-YEAR
WARRANTY**

Warranty: Wacker Neuson's line of compact equipment features a factory standard 24-month/2,000 hour machine warranty. Ask your dealer about our extended service protection plan. Valid in USA and Canada.



**GENUINE
PARTS**

Parts and Service: A breakdown can cost you time and money. That's why all Wacker Neuson parts are available via our U.S. distribution center and are typically shipped within 24 hours of your order. You can count on getting the parts, service, maintenance and support you need, when you need them.



ACADEMY

Technical Training and Support: Wacker Neuson Technical Academy has been meeting the training needs of contractors, mechanics and dealer sales people for years. Training classes are held just minutes from Milwaukee at our production facility in Menomonee Falls, Wisconsin. Or, if you have a specific training need, we can bring the experts to your location. From in-depth industry-focused operation tips and process training to maintenance, our trained professionals can create a tailor-made program for you.



FINANCE

Flexible Financing:

- Low down payments
- Competitive rates
- Cash back options
- Seasonal payment options

Wacker Neuson is a global equipment manufacturer for the construction, agriculture, oil and gas, landscape, utilities and municipal industries. Our comprehensive portfolio stands firmly on outstanding reliability, innovative technology, personal service and close customer contact. In the United States and Canada, Wacker Neuson's full line of products are sold and rented by a network of over 4,000 dealers and supported by an industry leading team of factory trained sales, application and service personnel.

www.wackerneuson.com