

## SERIES 80

# 2 PIECE THREADED FULL PORT BALL VALVES

Flow-Tek's Series S80 ball valves have been designed to meet the needs of the chemical, textile and process industries. Standard 2-piece valve bodies are available in stainless steel. Stainless steel bodies are investment cast and solution annealed for the highest quality and added strength. All body castings are marked with a foundry heat number for full traceability.

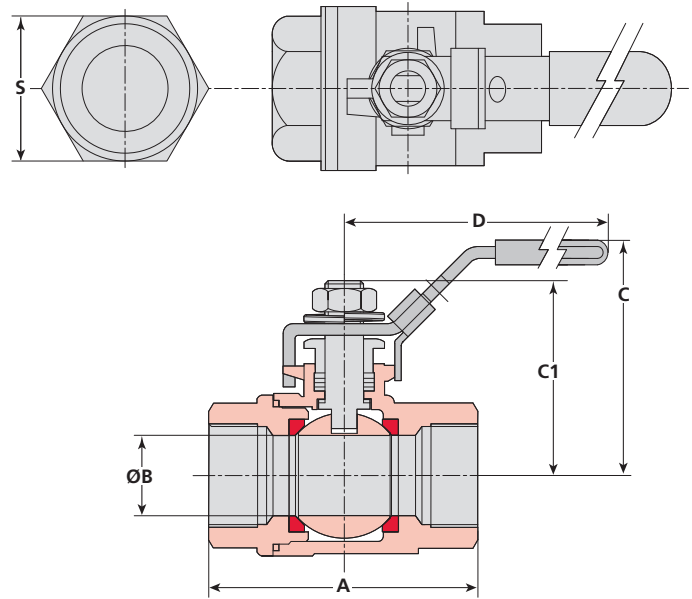
These quarter turn valves feature a full port design that minimizes pressure drops with smooth flow characteristics.

Other features include low operating torque, adjustable stem packing, blowout proof stems, stainless steel safety latch handles, and optional oval handle.

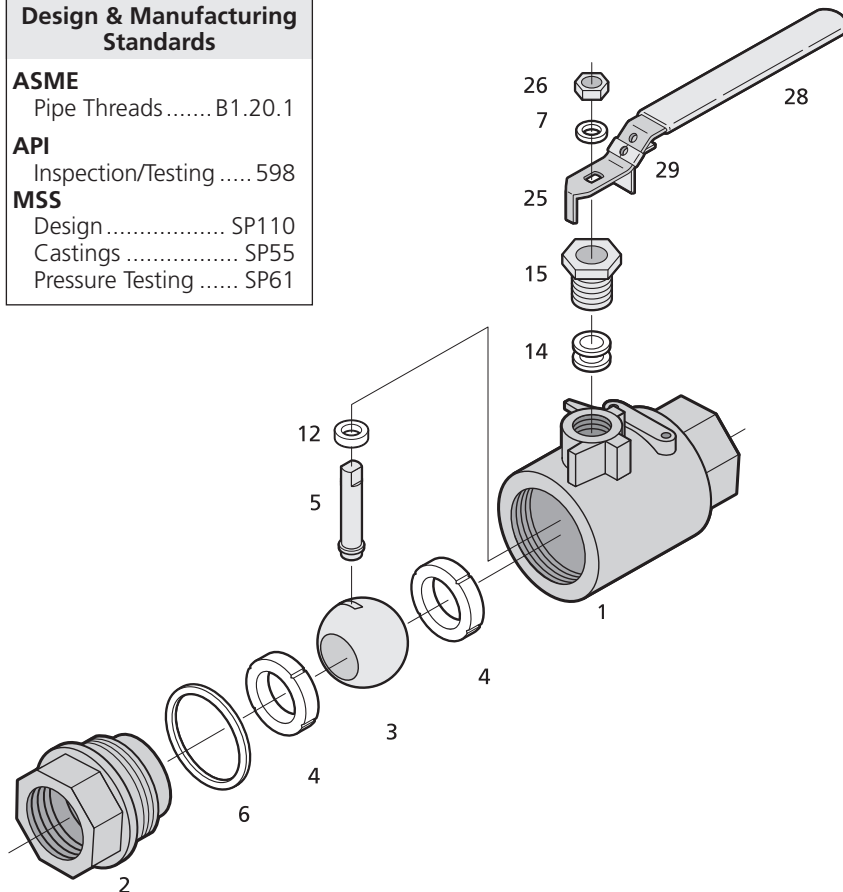


Size	Pressure Rating	Steam Rating	Temperature Range	End Connections	Body Material
1/4" to 4" 8mm to 100mm	1000 psi WOG 69 bar	150 psi WSP 10.3 bar	-50°F to +450°F -46°C to +232°C	Threaded - NPT Threaded - BSPT Threaded - BSPP	Stainless Steel

Dimensions									
Size ins mm	A	øB Port	C	C1	D	S	Cv	Weight lbs kg	
1/4 8	2.01 51	0.46 11.6	2.01 51	1.47 37.3	4.13 105	.83 21	10	0.507 0.23	
3/8 10	2.01 51	0.50 12.7	1.01 51	1.48 37.5	4.13 105	.83 21	12	0.463 0.21	
1/2 15	2.52 64	0.59 15	2.09 53	1.66 42.2	4.13 105	1.00 25.5	38	0.617 0.28	
3/4 20	2.91 74	0.79 20	2.32 59	1.95 49.5	4.92 125	1.24 31.5	66	1.08 0.49	
1 25	3.37 85.5	0.98 25	2.87 73	2.26 57.5	6.30 160	1.53 39	105	1.786 0.81	
1¼ 32	3.85 97.7	1.26 32	3.07 78	2.54 64.5	6.30 160	1.85 47	190	2.557 1.16	
1½ 40	4.13 105	1.50 38	3.58 91	2.75 70	7.48 190	2.12 54	275	4.034 1.83	
2 50	4.82 122.5	1.97 50	3.90 99	3.09 78.5	7.48 190	2.68 68	480	6.085 2.76	
2½ 65	6.30 160	2.56 65	5.12 130	4.53 115	9.64 245	3.23 82	797	11.023 5.00	
3 80	7.36 187	3.15 80	5.60 142	4.92 125	9.64 245	3.84 97.5	1210	16.535 7.5	
4 100	9.45 240	3.70 94	6.89 175	6.30 160	12.48 317	5.12 130	1400	39.242 17.8	

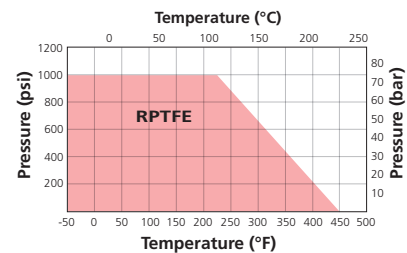


Design & Manufacturing Standards	
<b>ASME</b>	Pipe Threads ..... B1.20.1
<b>API</b>	Inspection/Testing ..... 598
<b>MSS</b>	Design ..... SP110
	Castings ..... SP55
	Pressure Testing ..... SP61



Components & Materials			
Item	Name	Material	Qty.
1	Body	ASTM A351 Gr CF8M	1
2	End Cap	ASTM A351 Gr CF8M	1
3	Ball	SS304/316	1
4	Seat	RPTFE	2
5	Stem	SS304/316	1
6	Body Seal	RPTFE	1
7	Spring Washer	SS304	1
12	Thrust Washer	RPTFE	1
14	Stem Packing	RPTFE	2
15	Gland Nut	SS304	1
25	Handle	SS304	1
26	Handle Nut	SS304	1
28	Handle Sleeve	Vinyl	1
29	Locking Device	SS304	1

### Pressure / Temperature



STEAM RATING: 150 psi WSP

**Flow-Tek**  
Subsidiary of BRAY INTERNATIONAL, Inc.

8323 N. Eldridge Pkwy. #100  
Houston, Texas 77041  
Tel: 832.912.2300  
Fax: 832.912.2301  
bray.com/flow-tek

All statements, technical information, and recommendations in this bulletin are for general use only. Consult Flow-Tek representatives or factory for the specific requirements and material selection for your intended application. The right to change or modify product design or product without prior notice is reserved.

Flow-Tek® is a registered trademark of Bray International, Inc.

© 2018 Bray International All rights reserved F-2201\_S80\_EN\_07\_13\_2018