

DV60

Dual View Dumpers



**WACKER
NEUSON**
all it takes!



DV60: Safe like a truck, compact like a dumper

The driver's cab concept allows the operator to turn the seat and console 180 degrees to determine the viewing and driving direction. The rotation can be conveniently performed from the driver's seat by simply unlocking the seat console and then turning it around.

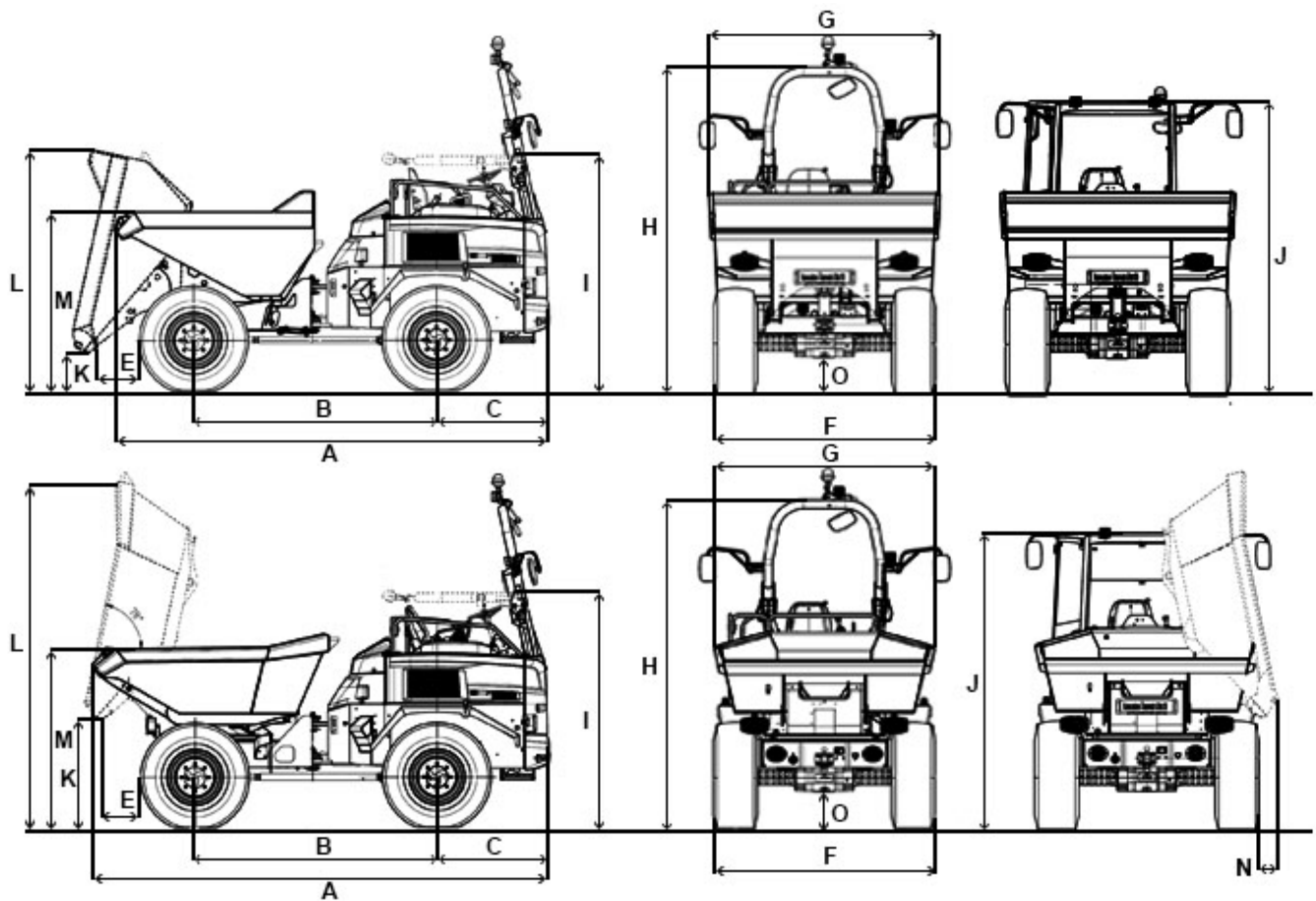
- Ideal driving and working position
- Hydrostatic drive
- Simple, intuitive operation thanks to the ergonomic rotary console
- Full HVAC comfort cab

DV60 Technical specifications

Operating data

Payload	13,228 lb
Shipping weight standard components	9,524 lb
Shipping weight	9,524 - 10,229 lb
Operating weight	9,601.03 - 10,317.53 lb
Skip capacity - water	423 US gal
Skip capacity -heaped	4.1 yd ³
Skip capacity -struck	3 yd ³
Engine / Motor	
Engine / Motor manufacturer	DEUTZ
Engine / Motor type	TD2.9 L4
Engine / Motor	water-cooled 4-cylinder turbo-diesel
Engine performance	74.2 hp
Displacement	177 in ³
Engine RPM	2200 rpm
Emissions	level 3b / Tier IV final
Traction drive	4WD / hydrostatic
Travel speed max.	18.6 mph
Articulation angle	29 °
Pendulum angle	11 °
Turning radius	236 in
Gradeability	55 %
Tires	405/70-20
L x W x H	175.2 / 87.8 / 133 in
Steering pump	axial piston pump
Flow rate	32.5 US gpm
Operating pressure	6,961.9 psi
Duty pump	gear pump
Flow rate	18.5 US gpm
Operating pressure	3,481 psi
Tank capacity	84.5 US qt
Hydraulic oil tank	17 US gal
Sound level (LwA)	101 dB(A)

DV60 Dimensions



		Front tip skip	Swivel tip skip
A	Overall length ROPS	175 in	185.14 in
A	Overall length Cabin	175.25 in	185.14 in
B	Wheelbase	98 in	97.91 in
C	Rear overhang	45.6 in	45.59 in
E	Dumping distance	22.3 in	18 in
F	Width	88 in	87.86 in
G	Skip width	92 in	87.39 in
H	Height ROPS	133.05 in	133.05 in
I	Height ROPS tilted	94.56 in	94.56 in
J	Height Cabin	115.84 in	115.84 in
K	Dump height max.	15 in	43.34 in
L	Skip height tilted	97 in	143 in
M	Skip height	72 in	78 in
N	Dumping distance to the side		2.72 in
O	Ground clearance	14.6 in	14.58 in
-	Dump angle	50 °	48 °

Please note: that product availability can vary from country to country. It is possible that information / products may not be available in your country. More detailed information on engine power can be found in the operator's manual; the stated power may vary due to specific operating conditions. Subject to alterations and errors excepted. Applicable also to illustrations.
Copyright © 2020 Wacker Neuson SE.