

Blackmagic Cinema Camera 6K



The Blackmagic Cinema Camera 6K is a next generation, handheld 6K digital film camera with 6048 x 4032 full frame high resolution HDR sensor, dual native ISO, L-Mount, CFexpress recording and direct recording to USB-C disks! Blackmagic Cinema Camera 6K features an OLPF for better detail handling, records stunning 12-bit Blackmagic RAW for cinematic images as well as real time H.264 proxies!

\$2,595

Camera Features

Effective Sensor Size

36mm x 24mm (Full Frame)

Lens Mount

Active L-Mount.

Lens Control

Iris and focus on supported lenses.

Dynamic Range

13 Stops.

Dual Native ISO

400 and 3200

Shooting Resolutions

6048 x 4032 (Open Gate 3:2) up to 36 fps

4832 x 4032 (Anamorphic 6:5) up to 36 fps

6048 x 3200 (6K DCI 17:9) up to 48 fps

6048 x 2520 (6K 2.4:1) up to 60 fps

4096 x 3072 (Super 35 4:3) up to 50 fps

4096 x 2160 (4K DCI 17:9) up to 60 fps

2112 x 1184 (Super 16 16:9) up to 100 fps

1920 x 1080 (1080 HD 16:9) up to 120 fps

Frame Rates

Maximum sensor frame rate dependent on resolution and codec selected. Project frame rates of 23.98, 24, 25, 29.97, 30, 50, 59.94 and 60 fps supported.

Off-speed frame rates up to 60 fps in 6K 2.4:1 and 4K DCI 17:9, 100 fps in Super 16 16:9 and 120 fps in 1080HD.

Focus

Auto focus available using compatible lenses.

Iris Control

Iris wheel and touchscreen slider for manual iris adjustment on electronically controllable lenses, iris button for instant auto iris settings on compatible lenses.

Screen Dimensions

5" 1920 x 1080.

Screen Brightness

1500 nits

Screen Type

LCD capacitive touchscreen.

Metadata Support

Automatically populated lens data from electronic L-Mount lenses. Automatic recording of camera settings and slate data such as project, scene number, take and special notes. A 3D LUT can also be embedded in metadata of Blackmagic RAW files.

Controls

Touchscreen menus on 5 inch screen. 1 x Power Switch, 1 x Record Button, 1 x Stills Button, 1 x Scroll Wheel with push integrated into handgrip, 1 x ISO Button, 1 x White Balance, 1 x Shutter Button, 3 x software configurable Fn buttons, 1 x Focus Button, 1 x IRIS Button, 1 x High Frame Rate (HFR) Button, 1 x Zoom Button, 1 x Menu Button and 1 x Playback Button.

Timecode Clock

Highly accurate timecode clock. Less than 1 frame drift every 8 hours.

Connections

Total Video Inputs

None

Total Video Outputs

1 x HDMI up to 1080p60

Analog Audio Inputs

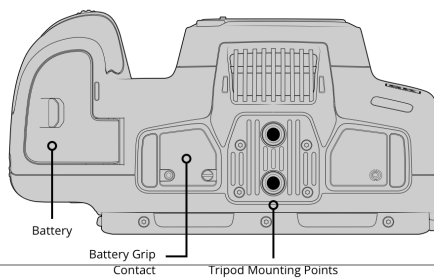
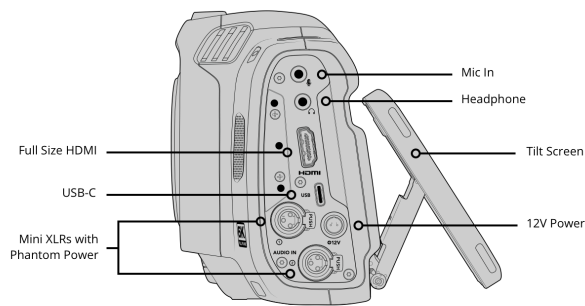
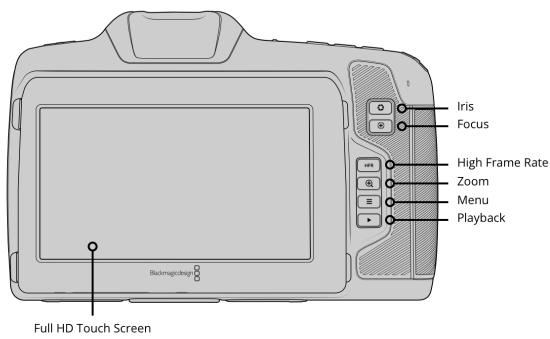
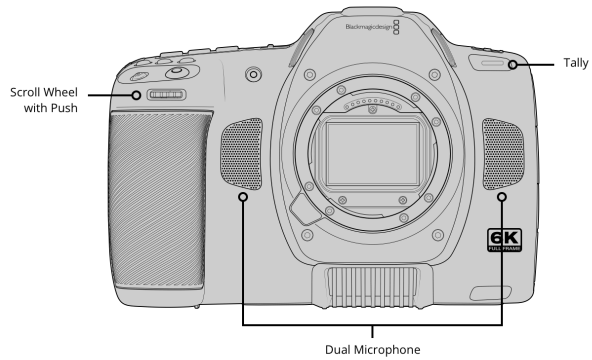
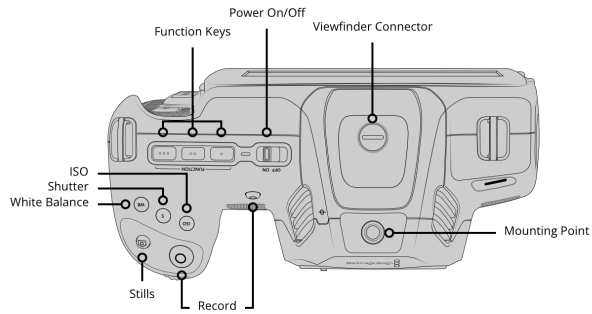
2 x mini XLR analog switchable between mic with phantom power support and line level (up to +14dBu).
1 x 3.5mm Stereo Input.
All audio inputs can also be used for Timecode input.

Analog Audio Outputs

1 x 3.5mm headphone jack.

Computer Interface

USB Type-C for external drive recording, PTP camera control and software updates.



Audio

Microphone

Integrated stereo microphone.

Built in Speaker

1 x mono speaker.

Media

Media

1 x CFexpress Type B card slot,
1 x USB-C 3.1 Gen 1 expansion port
for external media for Blackmagic
RAW and H.264 Proxy Recording.
Please refer to either the Manual or
the Information Note
at [www.blackmagicdesign.com/
support](http://www.blackmagicdesign.com/support) for compatible media.

Media Format

Can format media to ExFAT
(Windows/Mac) or HFS+ (Mac)
file systems.

Supported Codecs

Codecs

Blackmagic RAW Constant Bitrate 3:1,
Blackmagic RAW Constant Bitrate 5:1,
Blackmagic RAW Constant Bitrate 8:1,
Blackmagic RAW Constant Bitrate
12:1,
Blackmagic RAW Constant Quality Q0,
Blackmagic RAW Constant Quality Q1,
Blackmagic RAW Constant Quality Q3,
Blackmagic RAW Constant Quality Q5,
H.264 Proxy in 1920 x 1080, 8-bit
4:2:0

Control

External Control

Blackmagic Zoom Demand and Blackmagic Focus Demand for controlling your camera and lens from tripod handles.

iPad control, Bluetooth control, USB PTP camera control. External control of some camera settings, focus, iris and zoom with compatible lenses. Camera Control REST API over USB Ethernet for external control via HTTP when used with REST client applications such as Postman.

Storage Features

Storage Type

1 x CFexpress Type B

1 x high speed USB-C expansion port for external media.

Recording Formats

Blackmagic RAW 3:1, 5:1, 8:1, 12:1, Q0, Q1, Q3 and Q5 at 6048 x 4032, 4832 x 4032, 6048 x 3200, 6048 x 2520, 4096 x 3072, 4096 x 2160, 2112 x 1184 and 1920 x 1080 with film, extended video, video dynamic range or custom 3D LUT embedded in metadata.

Supports recording optional portrait mode metadata for all resolutions in Blackmagic RAW and H.264 Proxies.

Storage Rates

Storage rates based on 30 frames per second.

6048 x 4032 (6K Open Gate 3:2)	4096 x 3072 (Super 35 4:3)
Blackmagic RAW 3:1 - 370 MB/s	Blackmagic RAW 3:1 - 192 MB/s
Blackmagic RAW 5:1 - 223 MB/s	Blackmagic RAW 5:1 - 116 MB/s
Blackmagic RAW 8:1 - 140 MB/s	Blackmagic RAW 8:1 - 73 MB/s
Blackmagic RAW 12:1 - 94 MB/s	Blackmagic RAW 12:1 - 49 MB/s
Blackmagic RAW Q0 - 278 to 555 MB/s	Blackmagic RAW Q0 - 145 to 288 MB/s
Blackmagic RAW Q1 - 186 to 444 MB/s	Blackmagic RAW Q1 - 97 to 231 MB/s
Blackmagic RAW Q3 - 124 to 318 MB/s	Blackmagic RAW Q3 - 65 to 165 MB/s
Blackmagic RAW Q5 - 75 to 186 MB/s	Blackmagic RAW Q5 - 39 to 97 MB/s
4832 x 4032 (Anamorphic 6:5)	4096 x 2160 (4K DCI 17:9)
Blackmagic RAW 3:1 - 297 MB/s	Blackmagic RAW 3:1 - 136 MB/s
Blackmagic RAW 5:1 - 179 MB/s	Blackmagic RAW 5:1 - 82 MB/s
Blackmagic RAW 8:1 - 112 MB/s	Blackmagic RAW 8:1 - 52 MB/s
Blackmagic RAW 12:1 - 75 MB/s	Blackmagic RAW 12:1 - 35 MB/s
Blackmagic RAW Q0 - 223 to 445 MB/s	Blackmagic RAW Q0 - 102 to 203 MB/s
Blackmagic RAW Q1 - 149 to 356 MB/s	Blackmagic RAW Q1 - 69 to 163 MB/s
Blackmagic RAW Q3 - 100 to 255 MB/s	Blackmagic RAW Q3 - 46 to 117 MB/s
Blackmagic RAW Q5 - 60 to 149 MB/s	Blackmagic RAW Q5 - 28 to 69 MB/s
6048 x 3200 (6K DCI 17:9)	2112 x 1184 (Super 16 16:9)
Blackmagic RAW 3:1 - 295 MB/s	Blackmagic RAW 3:1 - 40 MB/s
Blackmagic RAW 5:1 - 177 MB/s	Blackmagic RAW 5:1 - 24 MB/s
Blackmagic RAW 8:1 - 111 MB/s	Blackmagic RAW 8:1 - 16 MB/s
Blackmagic RAW 12:1 - 75 MB/s	Blackmagic RAW 12:1 - 11 MB/s
Blackmagic RAW Q0 - 221 to 441 MB/s	Blackmagic RAW Q0 - 30 to 59 MB/s
Blackmagic RAW Q1 - 148 to 353 MB/s	Blackmagic RAW Q1 - 21 to 48 MB/s
Blackmagic RAW Q3 - 99 to 253 MB/s	Blackmagic RAW Q3 - 14 to 34 MB/s
Blackmagic RAW Q5 - 60 to 148 MB/s	Blackmagic RAW Q5 - 9 to 21 MB/s
6048 x 2520 (6K 2.4:1)	1920 x 1080
Blackmagic RAW 3:1 - 233 MB/s	Blackmagic RAW 3:1 - 33 MB/s
Blackmagic RAW 5:1 - 140 MB/s	Blackmagic RAW 5:1 - 20 MB/s
Blackmagic RAW 8:1 - 88 MB/s	Blackmagic RAW 8:1 - 13 MB/s
Blackmagic RAW 12:1 - 59 MB/s	Blackmagic RAW 12:1 - 9 MB/s
Blackmagic RAW Q0 - 175 to 348 MB/s	Blackmagic RAW Q0 - 25 to 49 MB/s
Blackmagic RAW Q1 - 117 to 279 MB/s	Blackmagic RAW Q1 - 17 to 40 MB/s
Blackmagic RAW Q3 - 78 to 199 MB/s	Blackmagic RAW Q3 - 12 to 29 MB/s
Blackmagic RAW Q5 - 47 to 117 MB/s	Blackmagic RAW Q5 - 8 to 17 MB/s

Constant Quality storage rates quoted are indicative only.

Actual storage rates are entirely dependent on image subject matter.

Software

Software Included

Blackmagic OS
DaVinci Resolve Studio for Mac and Windows including activation key
Blackmagic Camera Setup
Blackmagic RAW Player
Blackmagic RAW QuickLook Plugin
Blackmagic RAW SDK
Blackmagic RAW Speed Test

Operating Systems



Mac 12.0 Monterey,
Mac 13.0 Ventura or later.



Windows 10 and 11.

Power Requirements

Power Supply

1 x External 12V power supply.

External Power Input

1 x 2-pin locking connector.

Battery Type

NP-F570

Battery Life

Approximately 60 minutes
(recording 6K RAW at 24 fps to
CFexpress with screen brightness at
50%)

Power

12V-20V.

Accessories

Optional Accessories

Blackmagic Pocket Cinema Camera Pro EVF
Blackmagic Pocket Camera Battery Pro Grip

Physical Specifications



Environmental Specifications

Operating Temperature

0° to 40°C (32° to 104°F)

Storage Temperature

-20° to 45°C (-4° to 113°F)

Relative Humidity

0% to 90% non-condensing

What's Included

Blackmagic Cinema Camera 6K
Lens turret dust cap
Camera strap
30W power supply with locking connector and international adapters
NP-F570 battery
NP-F series battery USB charger
Welcome booklet
DaVinci Resolve Studio activation key

Warranty

Product Warranty

12 Month Limited Manufacturer's Warranty.

All items on this website are copyright Blackmagic Design Pty. Ltd. 2023, all rights reserved. All trademarks are property of their respective owners. MSRP includes duties, but excludes sales tax and shipping costs. This website uses remarketing services to advertise on third party websites to previous visitors to our site. You can opt out at any time by changing cookie settings. [Privacy Policy](#)

Blackmagic Design Authorized Reseller