

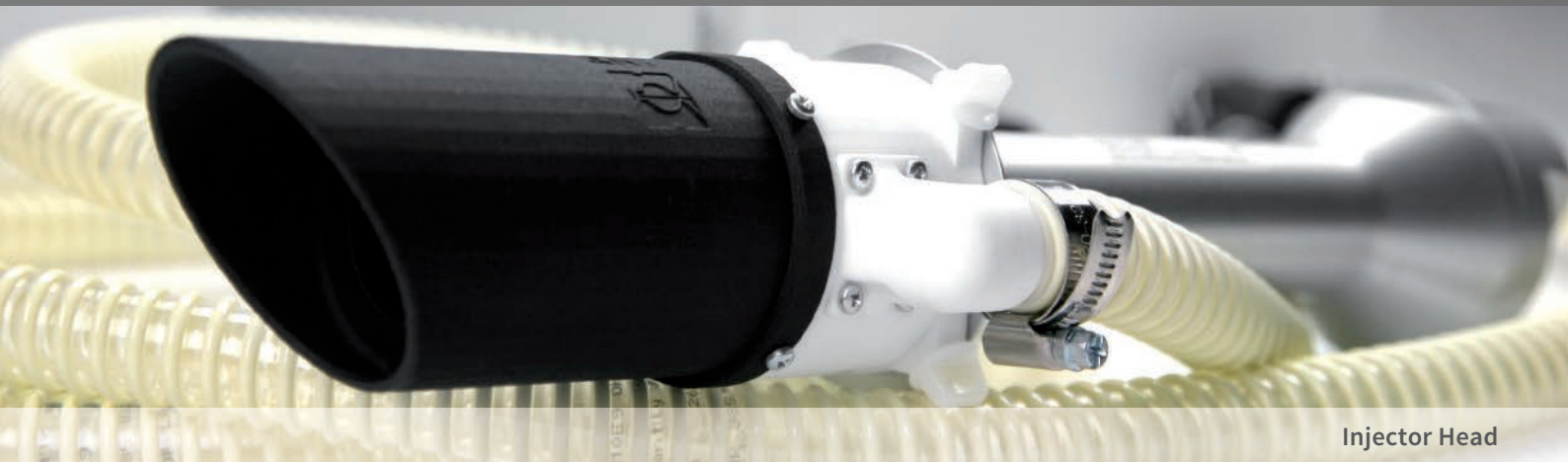


AirShield[®] DNI

Soiling Prevention System for Pyrheliometers

AirShield® DNI

Soiling Prevention System for Pyrheliometers



Injector Head

The AirShield® soiling prevention system increases the long term accuracy of sensor readings and reduces cleaning frequency requirements by providing a constant air barrier to prevent dust and dirt from settling.

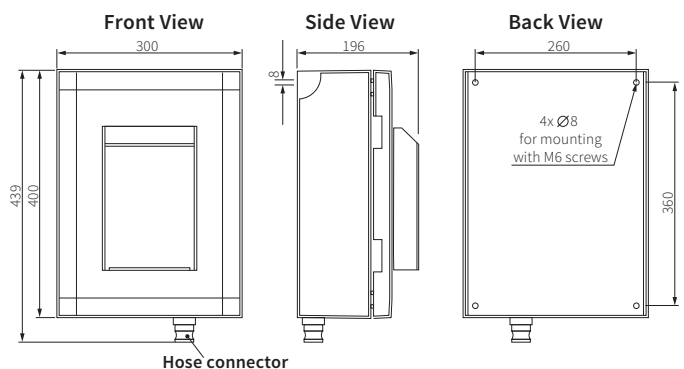
A high performance air blower drives double-filtered compressed air to an injector head that creates an air barrier in front of the sensor.

AirShield® DNI is designed to work with Kipp & Zonen CHP1 or SHP1 pyrheliometers.



Technical Specifications

- Air barrier soiling prevention for Kipp & Zonen pyrheliometers
- Central air supply unit including all control electronics
- High performance air blower for high air velocity
- One pre-filter and one primary air filter with filter surface of >1 m²
- Central air supply unit for outdoor operation (IP 53)
- Built-in power supply for 110 to 230 V and 50/60 Hz AC, 15 Watt
- Dimensions of central unit: 439 x 300 x 196 mm
- UV resistant highly flexible connection hose
- Length of flexible connection hose: 5 m
- Weight of air supply unit: 7,4 kg, injection head: 260 g
- Meant for wall mount, pole mount ø100 to 300 mm optional



HEAD OFFICE

Kipp & Zonen B.V.
Delftechpark 36, 2628 XH Delft
P.O. Box 507, 2600 AM Delft
The Netherlands
+31 15 2755 210
info@kippzonen.com
www.kippzonen.com

SALES OFFICES

Kipp & Zonen France S.A.R.L.
88 Avenue de l'Europe
77184 Emerainville
France
+33 1 64 02 50 28
kipp.france@kippzonen.com
www.kippzonen.fr

Kipp & Zonen Asia Pacific Pte. Ltd.
10 Ubi Crescent Lobby E
#02-93 Ubi Techpark
Singapore 408564
+65 6748 4700
kipp.singapore@kippzonen.com
www.kippzonen.com

Kipp & Zonen USA Inc.
125 Wilbur Place
Bohemia NY 11716
United States of America
+1 631 589 2065
kipp.usa@kippzonen.com
www.kippzonen.com