

"Apollo" Valves

ball valves



section B

APOLLO NUMBERING SYSTEM FORMULA: 70 - 105 - 01

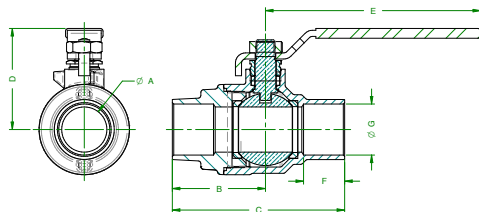
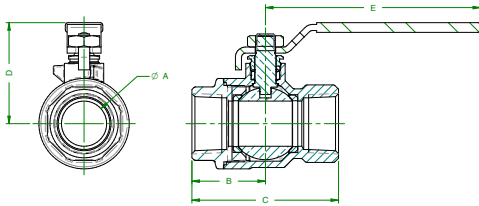
XX	-	X	X	X	- XX
SERIES		CONFIGURATION	VARIATIONS	SIZE*	OPTIONS
32	BRONZE BALL VALVE, STD. PORT, NPT	1 - FNPT	0 - DEFAULT STANDARD	1 - 1/4"	-01 - STANDARD
50GB	BRONZE GAS VALVE, CSA & UL LISTED	2 - SOLDER		2 - 3/8"	-02 - GROUNDED
6PLF	LEAD FREE** CAST IRON, BALL VALVE, FULL PORT, FLANGED, INTERNATIONAL	3 - UNION END NPT	4 - 316 STAINLESS STEEL BALL & STEM	3 - 1/2"	-04 - 2-1/4" STEM EXTENSION
		6 - 3-WAY NPT		4 - 3/4"	-07 - TEE HANDLE
70	BRONZE BALL VALVE	7 - FULL PORT REFRIGERATION VALVE	9 - PINNED RETAINER	5 - 1"	-08 - 90° REVERSED STEM
70HC	BRONZE BALL VALVE W/ HOSE CAP	8 - MALE X FNPT		6 - 1-1/4"	-10 - STAINLESS STEEL LEVER & NUT
70LF	LEAD FREE** BRONZE BALL VALVE	9 - 3-WAY SOLDER		7 - 1-1/2"	-11 - THERMA-SEAL™ INSULATING HANDLE
70LFHC	LEAD FREE** BRONZE BALL VALVE W/ HOSE CAP			8 - 2"	-12 - STAMPED "157 SWP" & BAGGED
71	BRONZE BALL VALVE W/ PADS			9 - 2-1/2"	-13 - STAMPED "157 SWP"
75	BRONZE BALL VALVE, STD. PORT, PADLOCKING			0 - 3"	-14 - SIDE VENTED BALL (UNI-DIRECTIONAL)
77	BRONZE FULL-PORT BALL VALVE			A - 4"	-15 - ROUND HANDLE, STEEL
77C-A	BRONZE BALL VALVE, FULL PORT, CONTRACTOR GRADE				-16 - CHAIN LEVER - VERTICAL
77CLF -A	LEAD FREE** BRONZE BALL VALVE, FULL PORT				-17 - ROUGH CHROME PLATED
77C-ULA	BRONZE BALL VALVE, FULL PORT, UL LISTED				-18 - PLAIN YELLOW GRIP
77D	BRONZE BALL VALVE, FULL PORT, DIRECT MOUNT FOR ACTUATORS				-19 - LOCK PLATE
77F	BRASS BALL VALVE, FULL PORT, USA				-20 - SLOT VENTED BALL (BI-DIRECTIONAL)
77FLF	LEAD FREE** BRASS BALL VALVE, FULL PORT				-21 - UHMWPE TRIM (NON-PTFE)
77G-UL	BRONZE GAS SHUT-OFF VALVE, FULL PORT CSA/UL				-24 - GRAPHITE PACKING
77V	APOLLOPRESS® BRASS BALL VALVE				-27 - STAINLESS STEEL LATCH-LOCK LEVER & NUT
77VLF	LEAD FREE** APOLLOPRESS® BRASS BALL VALVE				-30 - CAM-LOCK AND GROUNDED
77W-A	BRONZE BALL VALVE, FULL PORT, APOLLOPRESS®				-32 - STAINLESS STEEL TEE HANDLE & NUT
77WLF -A	LEAD FREE** BRONZE BV, FULL PORT, APOLLOPRESS®				-35 - VTFE TRIM (PTFE)
77WCLF	LEAD FREE** BRONZE BV, FULL PORT, APOLLOPRESS® W. COPPER ENDS				-36 - STAINLESS STEEL HI-RISE ROUND HANDLE, STAINLESS STEEL NUT
77W -HCA	BRONZE BV, FP, APOLLOPRESS®, HOSE CAP				-39 - SS HI-RISE LOCKING ROUND HANDLE, SS NUT
77WLF-HCA	LEAD FREE** BRONZE BV, FP, APOLLOPRESS®, HOSE CAP				-40 - CYL-LOC AND GROUNDED
78	SPECIALTY VALVE				-41 - AUTOMATIC DRAIN
7K	BRONZE BALL VALVE, W/ DRAIN				
80	BRONZE BALL VALVE, UL LISTED				-47 - SS OVAL LATCH-LOCK HANDLE & NUT
82	BRONZE THREE-PIECE FULL PORT BALL VALVE				-48 - SS OVAL HANDLE (NO LATCH) & NUT
82LF	LEAD FREE** BRONZE THREE-PIECE FULL PORT				-49 - ASSEMBLED DRY
89FV	CARBON STEEL POWERPRESS BALL VALVE (SEE TPSISCA FOR DETAILS)				-50 - 2-1/4" CARBON STEEL LOCKING STEM EXT.
9A	BRONZE, UNIBODY, HEAVY PATTERN				-56 - MULTIFILL SEATS & PACKING
90-A	BRONZE, UNIBODY, UL LISTED BALL VALVE				-57 - OXYGEN CLEANED AND BAGGED (CGA G-4.1)
94A	BRASS, FULL PORT, UL LISTED, INT'L				-58 - CHAIN LEVER - HORIZONTAL
94ALF-A	LEAD FREE** BRASS, FULL PORT, INT'L				-59 - SS EXTERNAL TRIM: 3-PC & FLANGED VALVES
94MBV	BRASS MINI-BALL VALVE, CSA LISTED, STD. PORT, INT'L				-60 - GROUNDED BALL & STEM
94XLF	LEAD FREE** BRASS BALL VALVE, PEX, INT'L				-62 - BODY CENTER SECTION (82 SERIES)
94VLF-A	LEAD FREE** BRASS APOLLOPRESS® BALL VALVE, INT'L				-63 - NPT X SOLDER (-100-63-NPT BODY / -200-63-SWEAT BODY)
95ALF	LEAD FREE** BRASS STOP & WASTE VALVE, INT'L				-64 - 250 SWP
					-65 - MULTIFILL SEATS & GRAPHITE PACKING
					-72 - RTFE PACKING
					-91 - LOCKING SS TEE (3/4" AND 1")
					-92 - BALANCING STOP
					-94 - -04 & BALANCING STOP
					-BC - BALL CHECK
					-HC - HOSE THREAD AND CAP OPTION
					-SV - SAFETY VENT - 77-100/7K-100 SERIES (AUTO DRAIN)
					-SW - LIMIT SWITCH MOUNTED
					-TH - TESTED, HYDROSTATIC
					-TC - TESTED, HYDROSTATIC, W/CERTIFICATION
					-TW - TESTED, HYDROSTATIC, W/WITNESS & CERT.
*BODY SIZE WHEN ENDS ARE MIXED Note: Not all variations and features are available on same valve. Consult customer service					
**LEAD FREE The wetted surfaces of this product shall contain no more than 0.25% lead by weighted average. Complies with Federal Public Law 111-380. ANSI 3rd party approved and listed.					

BALL VALVES

New!

77C-100/200-A SERIES

CONTRACTOR SERIES FULL PORT BRONZE BALL VALVE WITH SOLID BALL



Apollo's solid ball design delivers true full-port performance with 100% American construction. The next generation mod -"A" adds a new beefier lever, simplified packing adjustment, wider seats and stem packing and a 150 SWP body marking.

FEATURES

- ASTM Grade DZR Bronze Castings
- Solid Brass Ball, Plated
- 600 psig CWP, Non-Shock
- 150 SWP Steam Rating
- Generous RPTFE Seats and Stem Packing
- Adjustable Stem Packing
- Blowout-Proof Stem Design
- Vacuum Service to 29 in. Hg
- Full-Port Design Through 2-1/2"
- ANSI B16.18 Solder End Version Available as 77C-200 Series
- CSA B51- CRN OC10908.5C
- MSS SP-110 Ball Valves
- IAPMO/ANSI Z1157 Ball Valves
- **Proudly Made in USA**

OPTIONS*

- (-01) Standard Lever and Trim
- (-04) 2-1/4" Stem Extension
- (-07) CS Tee Handle
- (-10) Stainless Steel Handle and Nut
- (-11) Therma-Seal™ Insulating Tee
- (-27) Locking Handle
- (-50) 2-1/4" Locking Stem Extension
- (-92) Balancing Stop
- (-94) 2-1/4" Stem Extension and Balancing Stop
- SS Vented Ball and Stem (77C140 and 77C240 Series)
- **77C-ULA (UL 258 - Fire Protection Trim & Drain, Guide VQGU) Option *NEW!***
- Flammable Gas Listed (CSA & UL) Model 77G-UL (See Page B-26)
- Other Handle Options Available

Also Available in a Lead Free Version as the 77CLF-A Series

Lever option kits for the 77C-A models differ from the previous 77C model. Refer to the latest Apollo kit listing or contact Apollo Tech Support for assistance.

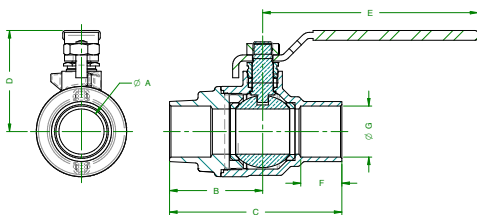
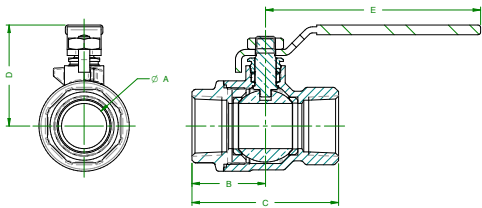
DIMENSIONS

PART NUMBER	SIZE (IN.)	DIMENSIONS (IN.)							C _v	WT. * (LB.)
		A	B	C	D	E	F	G		
NPT										
77C-101-01A	1/4"	0.37	0.88	1.8	1.65	2.82	-	-	5	0.6
77C-102-01A	3/8"	0.37	0.94	1.86	1.65	2.82	-	-	7	0.6
77C-103-01A	1/2"	0.50	1.15	2.29	1.79	3.82	-	-	16	0.6
77C-104-01A	3/4"	0.75	1.34	2.67	1.91	3.82	-	-	36	1.0
77C-105-01A	1"	1.00	1.63	3.24	2.24	4.72	-	-	68	1.8
77C-106-01A	1-1/4"	1.25	1.9	3.75	2.46	4.72	-	-	125	4.2
77C-107-01A	1-1/2"	1.50	2.06	4.11	2.9	5.37	-	-	177	4.6
77C-108-01A	2"	2.00	2.43	4.85	3.68	7.72	-	-	389	7.9
77C-109-01A	2-1/2"	2.50	3.03	6.02	4.13	7.72	-	-	503	16.4
SOLDER										
77C-202-01A	3/8"	0.37	1.24	2.17	1.65	2.82	0.41	0.50	7	0.6
77C-203-01A	1/2"	0.50	1.36	2.47	1.79	3.82	0.50	0.63	16	0.6
77C-204-01A	3/4"	0.75	1.73	3.20	1.91	3.82	0.75	0.88	36	1.0
77C-205-01A	1"	1.00	2.06	3.81	2.24	4.72	0.91	1.13	68	1.5
77C-206-01A	1-1/4"	1.25	2.22	4.21	2.46	4.72	0.97	1.38	125	3.9
77C-207-01A	1-1/2"	1.50	2.53	4.90	2.9	5.37	1.09	1.63	177	5.9
77C-208-01A	2"	2.00	3.15	6.07	3.68	7.72	1.34	2.13	389	7.5
77C-209-01A	2-1/2"	2.50	3.78	7.17	4.13	7.72	1.48	2.63	503	14.5

*Weights based on Standard Configuration

77CLF-100/200-A SERIES

CONTRACTOR SERIES FULL PORT BRONZE BALL VALVE WITH SOLID BALL



Apollo's solid ball design delivers true full-port performance with 100% American construction. The next generation mod -"A" adds a new beefier lever, simplified packing adjustment, wider seats and stem packing and a 150 SWP body marking. Ideal for a wide variety of HVAC and plumbing applications including potable water.

FEATURES

- Lead Free DZR Bronze Castings
- Solid Brass Ball, Plated
- 600 psig CWP, Non-Shock
- 150 SWP Steam Rating
- Generous RPTFE Seats and Stem Packing
- Adjustable Stem Packing
- Blowout-Proof Stem Design
- EZ-Solder™ Lead Free Bronze
- Vacuum Service to 29 in. Hg
- Full-Port Design Through 2-1/2"
- ANSI B16.18 Solder End Version Available

- as 77CLF-200 Series
- MSS SP-110 Ball Valves
- IAPMO/ANSI Z1157 Ball Valves
- NSF/ANSI/CAN 61 Water Quality
- NSF/ANSI/CAN 372 Lead Free
- City of Los Angeles DBS
- CRN: 0C10908.5C
- EU Directive 2015/863 (RoHS 3) Compliant
- EU Regulation (EC) 1907/2006 (REACH) Compliant
- **Proudly Made in USA**

OPTIONS*

- (-01) Standard Lever and Trim
- (-04) 2-1/4" Stem Extension
- (-07) CS Tee Handle
- (-10) Stainless Steel Handle and Nut
- (-11) Therma-Seal™ Insulating Tee
- (-27) Locking Handle
- (-50) 2-1/4" Locking Stem Extension
- (-92) Balancing Stop
- (-94) 2-1/4" Stem Extension and Balancing Stop
- SS Vented Ball and Stem (77CLF140 and 77CLF240 Series)
- **77C-ULA (UL 258 - Fire Protection Trim & Drain, Guide VQGU) Option** **NEW!**
- Flammable Gas Listed (CSA & UL) Model 77G-UL (See Page B-26)
- Other Handle Options Available
- Also Available in Standard Bronze as the 77C-A Series

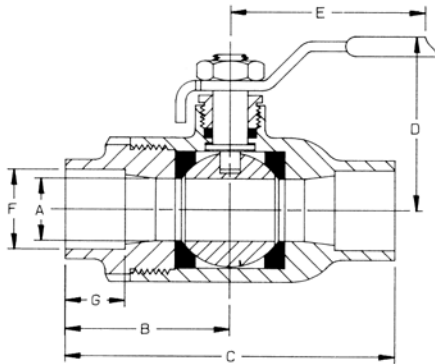
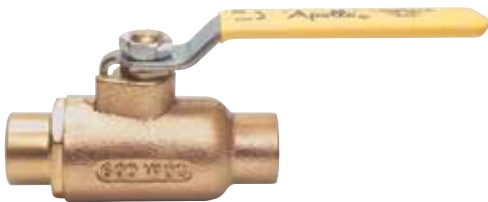
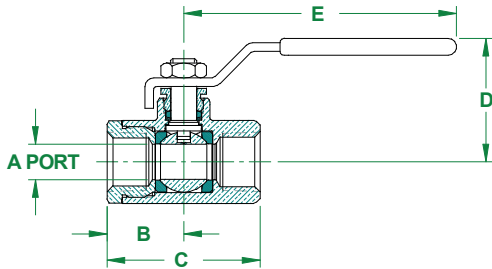
Lever option kits for the 77CLF-A models differ from the previous 77CLF model. Refer to the latest Apollo kit listing or contact Apollo Tech Support for assistance.

DIMENSIONS

PART NUMBER	SIZE (IN.)	DIMENSIONS (IN.)							C _v	WT. * (LB.)
		A	B	C	D	E	F	G		
NPT										
77CLF-101-01A	1/4"	0.37	0.88	1.8	1.65	2.82	-	-	5	0.6
77CLF-102-01A	3/8"	0.37	0.94	1.86	1.65	2.82	-	-	7	0.6
77CLF-103-01A	1/2"	0.50	1.15	2.29	1.79	3.82	-	-	16	0.6
77CLF-104-01A	3/4"	0.75	1.34	2.67	1.91	3.82	-	-	36	1.0
77CLF-105-01A	1"	1.00	1.63	3.24	2.24	4.72	-	-	68	1.8
77CLF-106-01A	1-1/4"	1.25	1.9	3.75	2.46	4.72	-	-	125	4.2
77CLF-107-01A	1-1/2"	1.50	2.06	4.11	2.9	5.37	-	-	177	4.6
77CLF-108-01A	2"	2.00	2.43	4.85	3.68	7.72	-	-	389	7.9
77CLF-109-01A	2-1/2"	2.50	3.03	6.02	4.13	7.72	-	-	503	16.4
SOLDER										
77CLF-202-01A	3/8"	0.37	1.24	2.17	1.65	2.82	0.41	0.50	7	0.6
77CLF-203-01A	1/2"	0.50	1.36	2.47	1.79	3.82	0.50	0.63	16	0.6
77CLF-204-01A	3/4"	0.75	1.73	3.20	1.91	3.82	0.75	0.88	36	1.0
77CLF-205-01A	1"	1.00	2.06	3.81	2.24	4.72	0.91	1.13	68	1.5
77CLF-206-01A	1-1/4"	1.25	2.22	4.21	2.46	4.72	0.97	1.38	125	3.9
77CLF-207-01A	1-1/2"	1.50	2.53	4.90	2.9	5.37	1.09	1.63	177	5.9
77CLF-208-01A	2"	2.00	3.15	6.07	3.68	7.72	1.34	2.13	389	7.5
77CLF-209-01A	2-1/2"	2.50	3.78	7.17	4.13	7.72	1.48	2.63	503	14.5

*Weights based on Standard Configuration

70-100/200 SERIES BRONZE BALL VALVE



The Apollo 70 Series is the most widely used and trusted bronze ball valve in the industry. It features blowout-proof stem, RPTFE seats and stuffing box ring and plated brass ball.

FEATURES

- Heavy Pattern Construction
- ASTM Grade DZR Bronze
- Rated 600 psig CWP, Non-Shock
- 150 psig for Saturated Steam
- Optional 250 SWP Configuration
- NPT and Solder Connections
- Vacuum Service to 29 in. Hg
- Adjustable Packing Gland
- Multiple Options and Configurations Available
- Lead Free Option (70LF)
- 100% Factory Tested
- MSS SP-110 Ball Valves
- CRN: OC10908.5C
- **Proudly Made in USA**

DIMENSIONS - NPT

PART NUMBER	SIZE (IN.)	DIMENSIONS (IN.)					WT. (LB.)
		A	B	C	D	E	
70-101-01	1/4"	0.37	1.03	2.06	1.75	3.87	0.60
70-102-01	3/8"	0.37	1.03	2.06	1.75	3.87	0.56
70-103-01	1/2"	0.50	1.12	2.17	1.75	3.87	0.63
70-104-01	3/4"	0.68	1.50	3.00	2.12	4.87	1.39
70-105-01	1"	0.87	1.68	3.37	2.25	4.87	1.72
70-106-01	1-1/4"	1.00	2.00	4.00	2.62	5.50	3.26
70-107-01	1-1/2"	1.25	2.18	4.37	3.06	8.00	4.61
70-108-01	2"	1.50	2.34	4.68	3.25	8.00	6.06
70-109-01A	2-1/2"	2.00	3.12	6.25	3.72	8.00	17.25
70-100-01	3"	2.50	3.37	6.75	4.12	8.00	18.60
70-10A-01	4"	3.12	3.68	7.37	5.25	10.00	25.50

NOTE: 1/4", 3/8", and 1/2" are full port.

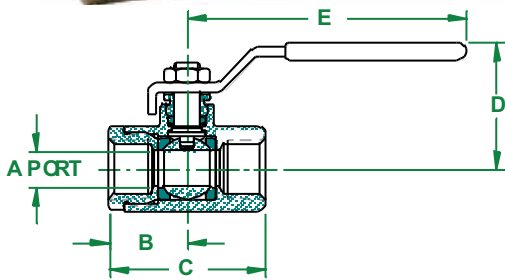
DIMENSIONS - SOLDER

PART NUMBER	SIZE (IN.)	DIMENSIONS (IN.)*						
		A	B	C	D	E	F	G
70-202-01	3/8	0.37	1.28	2.56	1.75	3.87	0.505	0.37
70-203-01	1/2	0.50	1.43	2.87	1.75	3.87	0.63	0.50
70-204-01	3/4	0.68	1.93	3.87	2.12	4.87	0.88	0.75
70-205-01	1	0.87	2.25	4.50	2.25	4.87	1.13	0.90
70-206-01	1-1/4	1.00	2.31	4.62	2.62	5.50	1.38	0.96
70-207-01	1-1/2	1.25	2.62	5.25	3.06	8.00	1.63	1.09
70-208-01	2	1.50	3.18	6.37	3.25	8.00	2.13	1.34
70-209-01A	2-1/2	2.00	3.74	7.51	3.72	8.00	2.63	1.48
70-200-01	3	2.50	4.12	8.25	4.12	8.00	3.13	1.67
70-20A-01	4	3.12	4.61	9.22	5.22	9.94	4.13	2.16

*Based on 70-200-01 - Dimensions may vary with options.
NOTE: 1/4", 3/8", and 1/2" are full port.

**70-2xx intended for soft solder installation using solders with melting temperature of < 500°F.

70LF-100/200 SERIES BRONZE BALL VALVE



The Apollo 70LF series is the most widely used and trusted lead free bronze ball valve in the industry. It features a blowout-proof stem, RPTFE seats and stuffing box ring and plated brass ball.

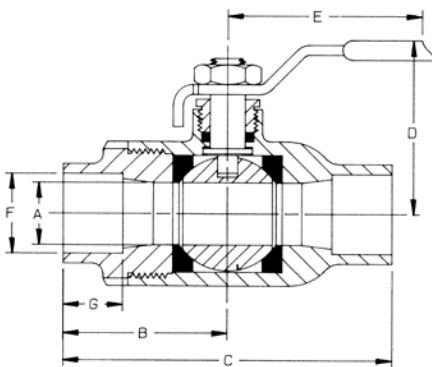
FEATURES

- Heavy Pattern Construction
- EZ-Solder™ Lead Free DZR Bronze
- Solders Just Like Standard Bronze
- Rated 600 psig CWP, Non-Shock
- 150 psig SWP for Saturated Steam
- 100% Factory Tested
- Vacuum Service to 29 in. Hg
- MSS SP-110 Ball Valves
- ANSI/ASME B1.20.7 Hose Thread
- NSF/ANSI/CAN 61 Water Quality
- NSF/ANSI/CAN 372 Lead Free
- CRN: 0C10908.5C
- Adjustable Packing Gland
- Multiple Options and Configurations Available
- **Proudly Made in USA**

DIMENSIONS - NPT

PART NUMBER	SIZE (IN.)	DIMENSIONS (IN.)					WT. (LB.)
		A	B	C	D	E	
70LF-101-01	1/4"	0.37	1.03	2.06	1.75	3.87	0.60
70LF-102-01	3/8"	0.37	1.03	2.06	1.75	3.87	0.56
70LF-103-01	1/2"	0.50	1.12	2.25	1.75	3.87	0.63
70LF-104-01	3/4"	0.68	1.50	3.00	2.12	4.87	1.39
70LF-105-01	1"	0.87	1.68	3.37	2.25	4.87	1.72
70LF-106-01	1-1/4"	1.00	2.00	4.00	2.62	5.50	3.26
70LF-107-01	1-1/2"	1.25	2.18	4.37	3.06	8.00	4.61
70LF-108-01	2"	1.50	2.34	4.68	3.25	8.00	6.06
70LF-109-01	2-1/2"	2.00	3.12	6.25	3.72	8.00	13.96
70LF-100-01	3"	2.50	3.37	6.75	4.12	8.00	18.60
70LF-10A-01	4"	3.12	3.68	7.37	5.25	10.00	25.50

NOTE: 1/4", 3/8", and 1/2" are full port.



DIMENSIONS - SOLDER

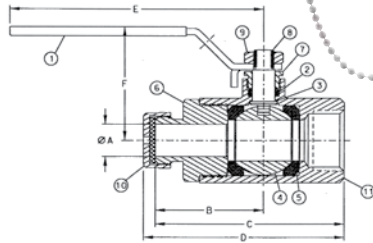
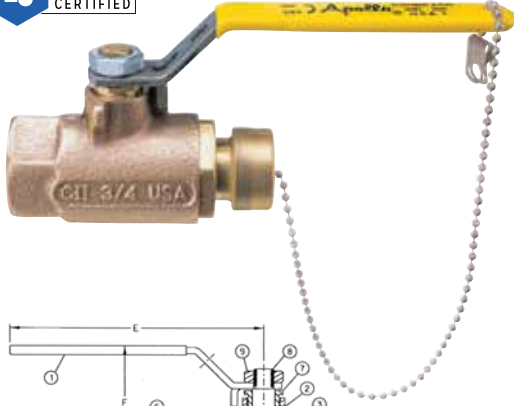
PART NUMBER	SIZE (IN.)	DIMENSIONS (IN.)*						
		A	B	C	D	E	F	G
70LF-202-01	3/8	0.37	1.28	2.56	1.75	3.87	0.505	0.37
70LF-203-01	1/2	0.50	1.43	2.87	1.75	3.87	0.63	0.50
70LF-204-01	3/4	0.68	1.93	3.87	2.12	4.87	0.88	0.75
70LF-205-01	1	0.87	2.25	4.50	2.25	4.87	1.13	0.90
70LF-206-01	1-1/4	1.00	2.31	4.62	2.62	5.50	1.38	0.96
70LF-207-01	1-1/2	1.25	2.62	5.25	3.06	8.00	1.63	1.09
70LF-208-01	2	1.50	3.18	6.37	3.25	8.00	2.13	1.34
70LF-209-01	2-1/2	2.00	3.74	7.51	3.72	8.00	2.63	1.48
70LF-200-01	3	2.50	4.12	8.25	4.12	8.00	3.13	1.67
70LF-20A-01	4	3.12	4.61	9.22	5.22	9.94	4.13	2.16

*Based on 70-200-01 - Dimensions may vary with options.

NOTE: 1/4", 3/8", and 1/2" are full port.

**70LF-2xx intended for soft solder installation using solders with melting temperature of < 500°F.

70-HC SERIES HOSE CAP & CHAIN VALVE



CAP & CHAIN VALVE WITH 3/4" HOSE CONNECTION, HEAVY BRASS CAP AND REVERSE HANDLE

Ideally suited for draining or sampling of HVAC or potable water systems, these valves allow direct connections to hoses. Valve features a securely attached cover (includes chain) which prevents damage to hose threads. -200 model designed for soft soldering into lines without disassembly.

FEATURES

- Heavy Pattern Construction
- Reverse Lever is Standard for Easier Installation
- Stainless Steel Lever & Nut Standard
- NPT and Solder Connections
- EZ-Solder™ Lead free bronze
- ASTM B584 Bronze
- Blowout-Proof Stem Design
- RPTFE Seats and Stuffing Box Ring
- Adjustable Packing Gland
- Vacuum Service to 29 in. Hg
- Maximum Pressure: 600 psi CWP
- Temperature Rating: 200°F
- Full Pressure Rated Brass Hose Cap
- **Stronger Stainless Steel Ball Chain** **NEW!**
- **Proudly Made in USA**

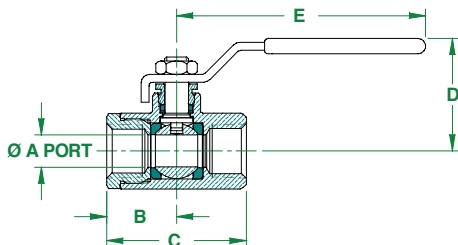
OPTIONS

- (-11) Therma-Seal™ Insulating Tee
- Stainless Steel Ball and Stem (70-24x-HC/70LF-24X-HC)
- 70LF is NSF 61 and NSF 372 Certified Lead Free

DIMENSIONS

PART NUMBER	LF PART NUMBER	SIZE (IN.)	DIMENSIONS (IN.)					
			A	B	C	D	E	F
70-103-HC	70LF-103-HC	1/2 NPT x 3/4 Hose	0.50	1.68	2.81	2.97	3.87	1.75
70-104-HC	70LF-104-HC	3/4 NPT x 3/4 Hose	0.68	1.96	3.50	3.67	4.87	2.12
70-105-HC	70LF-105-HC	1 NPT x 3/4 Hose	0.87	2.24	3.92	4.16	5.28	2.43
70-203-HC	70LF-203-HC	1/2 Solder x 3/4 Hose	0.50	1.68	3.14	3.28	3.89	1.75
70-204-HC	70LF-204-HC	3/4 Solder x 3/4 Hose	0.68	1.96	3.94	4.09	4.89	2.12
70-205-HC	-	1 Solder x 3/4 Hose	0.87	2.24	4.49	4.73	5.28	2.43

70B-140 SERIES STEAM BOILER/B31.1 POWER PIPING BRONZE BALL VALVE



The Apollo 70B series has the same rugged features as the standard 70 Series valve but with ASTM B62 bronze shell components, vented stainless steel ball and upgraded seats and packing. The 70B has trusted performance along with a wide range of options to suit every application.

FEATURES

- Stainless Steel Ball & Stem
- Blowout-Proof Stem Design
- Adjustable Packing Gland
- MPTFE Seats and Stuffing Box Ring
- 100% Factory Tested
- B62 C84400 bronze body and retainer
- **Proudly Made in USA**

PERFORMANCE RATING

- Maximum Pressure: 600 psi CWP, 250 psi SWP
- Maximum Temperature: 500°F
- Vacuum Service to 29 in. Hg

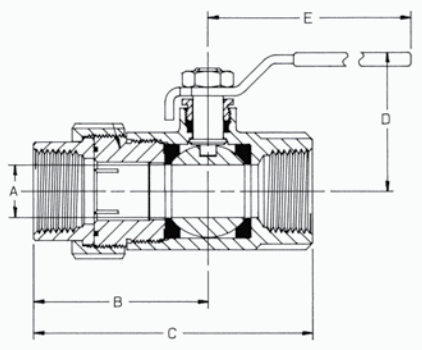
APPROVALS

- MSS SP-110 - Ball Valves
- CRN: OC10908.5C
- ASME B31.1 - Power Piping

DIMENSIONS - NPT

PART NUMBER	SIZE (IN.)	DIMENSIONS					WT. (LB.)
		A	B	C	D	E	
70B-141-64	1/4"	0.37	1.03	2.06	1.75	3.87	0.60
70B-142-64	3/8"	0.37	1.03	2.06	1.75	3.87	0.56
70B-143-64	1/2"	0.50	1.12	2.25	1.75	3.87	0.63
70B-144-64	3/4"	0.68	1.50	3.00	2.12	4.87	1.39
70B-145-64	1"	0.87	1.68	3.37	2.25	4.87	1.72
70B-146-64	1-1/4"	1.00	2.00	4.00	2.62	5.50	3.26
70B-147-64	1-1/2"	1.25	2.18	4.37	3.06	8.00	4.61
70B-148-64	2"	1.50	2.34	4.68	3.25	8.00	6.06

70-300/400 SERIES BALL VALVE WITH FNPT x UNION END



This valve combines a pipe union with ball valve shut-off; it saves time and labor by eliminating the need for extra connections. Viton O-ring sealed union requires light torque for proper seal.

FEATURES

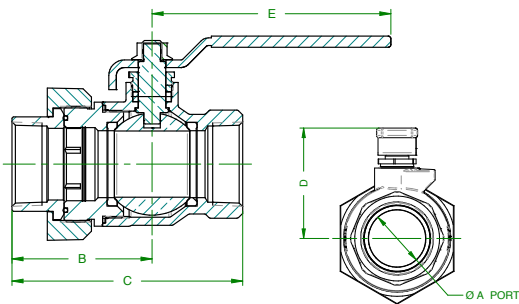
- ASTM B584 Bronze
- Blowout-Proof Stem Design
- Adjustable Packing Gland
- 600 psig CWP, Non-Shock
- NPT and Solder Union Connection
- Vacuum Service to 29 in. Hg
- 70LF-300/400 Feature EZ-Solder™ Lead Free Bronze
- **Proudly Made in USA**

DIMENSIONS

PART NUMBER	LF PART NUMBER	SIZE (IN.)	DIMENSIONS (IN.)				
			A	B	C	D	E
NPT X NPT							
70-301-01	-	1/4	0.37	1.90	2.93	1.75	3.87
70-302-01	-	3/8	0.37	1.90	2.93	1.75	3.87
70-303-01	70LF-303-01	1/2	0.50	2.00	3.09	1.75	3.87
70-304-01	70LF-304-01	3/4	0.68	2.46	3.96	2.12	4.87
70-305-01	70LF-305-01A	1	0.87	2.84	4.52	2.25	4.87
70-306-01	70LF-306-01	1-1/4	1.00	2.68	4.68	2.62	5.50
70-307-01	70LF-307-01	1-1/2	1.25	2.87	5.06	3.05	8.00
70-308-01	70LF-308-01	2	1.50	3.25	5.59	3.24	8.00
SOLDER X SOLDER							
70-403-01	-	1/2	0.50	2.00	3.43	1.75	3.87
70-404-01	70LF-404-01	3/4	0.68	2.62	4.56	2.06	4.78
70-405-01	70LF-405-01A	1	0.87	2.87	5.66	2.25	4.78
70-406-01	70LF-406-01	1-1/4	1.00	2.87	5.18	2.62	5.50
70-407-01	70LF-407-01	1-1/2	1.25	2.92	5.53	3.10	8.00
70-408-01	70LF-408-01	2	1.50	3.50	6.75	3.24	8.00

NOTE: 1/4", 3/8", and 1/2" are full port.

77CLF-300-A SERIES FULL PORT BALL VALVE WITH FNPT x UNION END



The Apollo 77CLF300 Series Union End Ball Valve features dezincification resistant lead free bronze body, generously sized RPTFE seats and stem packing, and a lead free "solid ball" design that delivers true full-port flow performance.

FEATURES

- Lead Free Brass & Bronze Materials Easily Identifiable Blue "Lead Free" Hang Tag
- Reinforced RPTFE Seats & Seals
- **Proudly Made in USA**

PERFORMANCE RATING

- Maximum Pressure: 600 psi CWP
- Maximum Temperature: 180°F
- Vacuum Service to 29 in. Hg

APPROVALS

- MSS SP-110 - Ball Valves
- NSF/ANSI/CAN 61 - Water Quality
- NSF/ANSI/CAN 372 - Lead Free
- CRN: OC10908.5C

OPTIONS

- (-01) Standard Lever(-04) 2-1/4" Stem Extension
- (-07) Tee Handle
- (-10) S.S. Handle and Nut
- (-11) Therma-Seal™ Insulating Tee Handle
- (-27) Locking Handle

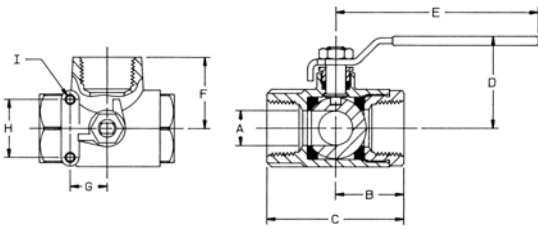
DIMENSIONS

PART NUMBER	SIZE (IN.)	DIMENSIONS (IN.)					WT (LB.)
		A	B	C	D	E	
70LF30301*	1/2	0.50	2.00	3.09	1.75	3.87	0.99
77CLF30401A	3/4	0.75	2.26	3.59	1.92	3.97	1.34
77CLF30501A	1	1.00	2.55	4.17	2.24	4.76	2.36
77CLF30601A	1-1/4	1.25	2.71	4.55	2.46	4.76	5.07
77CLF30701A	1-1/2	1.50	3.17	5.23	2.90	5.41	4.96
77CLF30801A	2	2.00	3.49	5.91	3.68	7.76	10.06

*1/2" size only is available as model 70LF300, full-port bronze construction.

70-600 SERIES

THREADED 3-WAY DIVERTER BALL VALVE



Ideal for applications requiring flow diversion, this valve combines the features of two valves. Its large ports make tank selection and fluid transfers quicker and easier. Easy quarter-turn operation.

FEATURES

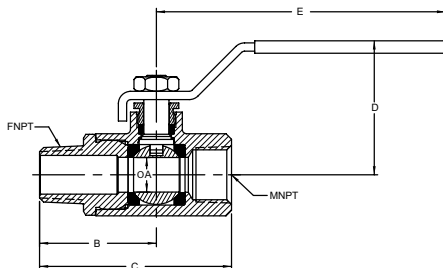
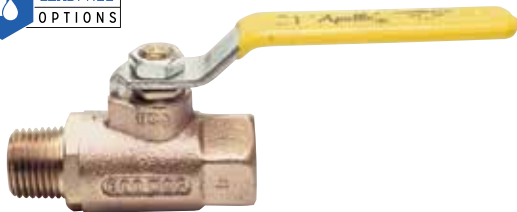
- Simple Quarter-Turn Operation
- ASTM B584 Bronze
- 400 psig CWP, Non-Shock
- Blowout-Proof Stem
- Adjustable Stem Packing
- Vacuum Service to 29 in. Hg
- See 70-900 for Solder Version
- **Proudly Made in USA**

DIMENSIONS

PART NUMBER	SIZE (IN.)	DIMENSIONS (IN.)								
		A	B	C	D	E	F	G	H	I
70-601-01	1/4	0.37	1.12	2.32	1.80	3.88	1.18	0.875	1.37	10-24
70-602-01	3/8	0.37	1.12	2.32	1.80	3.88	1.18	0.875	1.37	10-24
70-603-01	1/2	0.50	1.09	2.25	1.75	3.87	1.18	0.87	1.37	10-24
70-604-01	3/4	0.68	1.50	3.00	2.12	4.87	1.62	0.87	1.37	10-24
70-605-01	1	0.81	1.59	3.18	2.25	4.87	1.71	0.87	1.37	10-24
70-606-01	1-1/4	1.00	1.97	3.95	2.69	5.50	2.01	0.93	1.50	1/4-20
70-607-01	1-1/2	1.25	2.21	4.40	2.87	5.50	2.38	0.94	1.50	1/4-20
70-608-01	2	1.50	2.34	4.69	3.00	5.50	2.50	0.94	1.50	1/4-20

70-800 SERIES

MALE x FEMALE NPT BALL VALVE



Eliminates need for extra nipple when connecting to female connection to save time and labor. Ruggedly built for lasting performance with chromium-plated ball and blowout-proof stem.

FEATURES

- 600 psig CWP, Non-Shock
- 150 SWP Steam Rating
- RPTFE Seats and Stuffing Box Ring
- Adjustable Stem Packing
- Vacuum Service to 29 in. Hg
- **Proudly Made in USA**

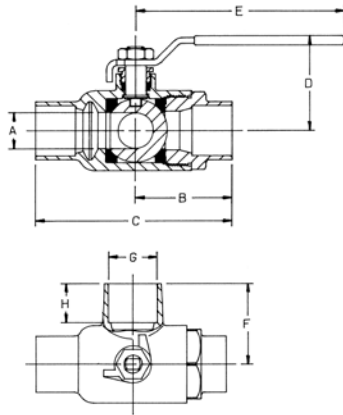
DIMENSIONS

PART NUMBER	LF PART NUMBER	SIZE (IN.)	DIMENSIONS (IN.)				
			A	B	C	D	E
70-801-01	-	1/4	0.37	1.40	2.43	1.75	3.87
70-802-01	-	3/8	0.37	1.46	2.50	1.75	3.87
70-803-01	70LF-803-01	1/2	0.50	1.68	2.81	1.81	3.87
70-804-01	70LF-804-01	3/4	0.68	2.00	3.50	2.12	4.87
70-805-01	70LF-805-01	1	0.87	2.31	4.00	2.25	4.87
70-806-01	70LF-806-01	1-1/4	1.00	2.31	4.31	2.62	5.50
70-807-01	-	1-1/2	1.25	3.00	5.18	3.06	8.00

NOTE: 1/4", 3/8", and 1/2" are full port.

70-900 SERIES

SOLDER 3-WAY DIVERTER BALL VALVE



Tank selection and fluid transfers are easier because of large port diameters. The valve is 100% air tested under water. Designed to be soft soldered without disassembly.

FEATURES

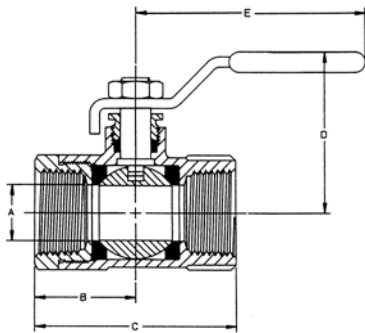
- Simple Quarter-Turn Operation
- ASTM B584 Bronze
- 400 psig CWP, Non-Shock
- Blowout-Proof Stem
- Adjustable Packing
- See 70-600 for NPT Version
- **Proudly Made in USA**

DIMENSIONS

PART NUMBER	SIZE (IN.)	DIMENSIONS (IN.)							
		A	B	C	D	E	F	G	H
70-903-01	1/2	0.50	1.44	2.87	1.75	3.87	1.34	0.628	0.50
70-904-01	3/4	0.68	1.94	3.87	2.12	4.87	1.69	0.878	0.90
70-905-01	1	0.81	2.19	4.42	2.25	4.87	1.87	1.129	0.90

32-100 SERIES

REGULAR PORT, THREADED END, BRONZE BALL VALVE



NPT threaded ball valve rated to 400 psig CWP, non-shock and 125 psig for saturated steam. Blowout-proof stem design with adjustable packing gland.

FEATURES

- ASTM B584 Bronze
- PTFE Seats and MPTFE Stuffing Box Ring
- **Proudly Made in USA**

OPTIONS

- (-04) 2-1/4" Stem Extension
- (-07) CS Tee Handle
- (-15) Round Handle
- (-27) Locking Handle

DIMENSIONS

PART NUMBER	SIZE (IN.)	DIMENSIONS (IN.)				
		A	B	C	D	E
32-101-01	1/4	0.37	0.80	1.60	1.65	2.87
32-102-01	3/8	0.37	0.80	1.60	1.65	2.87
32-103-01	1/2	0.40	1.00	2.00	1.68	2.87
32-104-01	3/4	0.65	1.20	2.41	1.90	3.87
32-105-01	1	0.75	1.55	3.09	2.18	4.87
32-106-01	1-1/4	1.00	1.72	3.44	2.53	5.50
32-107-01	1-1/2	1.12	1.93	3.87	2.69	5.50
32-108-01	2	1.50	2.17	4.37	2.94	5.50

COMMON BALL VALVE OPTIONS

Apollo offers these options on the 70 Series as well as many other valve series. Note: Not all options are available on all sizes and models. Review the latest submittal sheet or contact the factory to determine availability. Most available as a factory installed option or as a kit for field installation or retrofit.

SUFFIX NO.



2-1/4"
STEM
EXTENSION

-04

STANDARD BALL VALVE WITH STEM EXTENSION

A plated steel stem extension to accommodate 2" thick pipe insulation or to relocate handle position.



-07

TEE HANDLE

Plated steel tee handle is ideal when space is limited and where safety is a consideration. Handle still provides visual indication of OPEN or CLOSED position.



-08

90° REVERSED STEM

Used in applications when handle is required to be in a parallel position when closed.



-10

STAINLESS STEEL LEVER AND NUT

Additional corrosion resistance for damp or marine installations.



-11

THERMA-SEAL™ HANDLE (UL 2043 LISTED)

The Therma-Seal™ thermal insulating tee-handle is designed to be used in applications where vapor barrier piping insulation is required. Manufactured from high strength glass reinforced nylon, these handles are ideally suited for the toughest commercial and industrial applications. Handles are available as a factory installed option (-11 option suffix) or as a retrofit kit. UL 2043 listed for plenum installations. Features styrofoam plug for enhanced sealing. **NEW! Lead Free valves now standard with White handles.**



**-16/
-58**

CHAIN LEVER BALL VALVES

Reliable quarter turn operation in overhead applications. A favorite for use in industrial environments.

- -16 for valve in vertical position
- -58 for valve in horizontal position



-17

ROUGH CHROME PLATING

Use where a clean, bright finish is required or for matching up with other chrome-plated equipment.

COMMON BALL VALVE OPTIONS



-27

STAINLESS STEEL LATCH LOCK - LOCKING LEVER HANDLE

Sliding lock mechanism secures handle in open or closed position. Valve can also be padlocked open or closed.



-32

STAINLESS STEEL TEE HANDLE AND NUT

Increased corrosion resistance versus the plated steel -07 option.



-41

BALL VALVE WITH AUTOMATIC DRAIN

When this valve is closed for maintenance of pneumatic tool, downstream pressure from valve to tool is automatically drained to atmosphere to prevent accidental operation of the tool, causing possible injury.

- Conforms to certain OSHA requirements in pneumatic installations
- Easy, safe maintenance of pneumatic tools
- Cannot be used where drained media could cause damage
- Temperature range: 50°F to 200°F
- Rated 125 psig CWP, non-shock air or water
- Includes directional arrow for correct installation
- Available with latch lock option, specify -27 -41 suffix
- Available for the following series: 70, 71, 75, and 78



-48

STAINLESS STEEL OVAL HANDLE

- Available for the following series: 70, 71, 73A, 76, 76F, 77, 82, 83, 85, 86, 89, 9A, 92 and 96
- Resistant to accidental operation



-57

CLEANED AND BAGGED FOR OXYGEN SERVICE (CGA 4.1)



-64

250 SWP STEAM RATING

- Stainless steel stem
- Stainless steel vented ball
- Upgraded MPTFE seats and packing
- Yellow handle with red printing
- Available for the following series: 70, 71, 75, 77



-92

MEMORY STOP HANDLE



-94

BALL VALVE WITH BALANCING STOP AND STEM EXTENSION

Ideal for HVAC systems. Stop plate and a 2-1/4" stem extension combination to accommodate insulation and handle repositioning. *Contact customer service for exact handle dimensions.*

71-100 SERIES

BALL VALVE WITH MOUNTING PAD

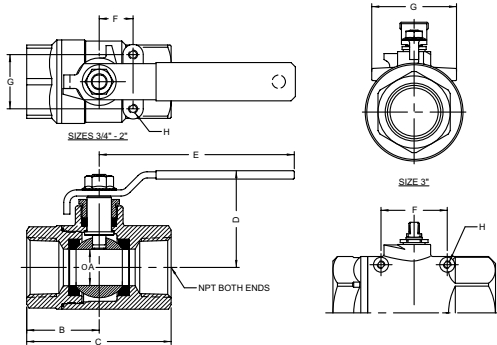


Designed to easily accommodate spring return handle, actuator or simple panel mounting. Threaded end connections with RPTFE seats and stuffing box ring.

FEATURES

- 3/4" to 3" models
(Use 77-100 Series for 1/4", 3/8" & 1/2")
- 600 CWP Non-Shock
- Blowout-Proof Stem
- ASTM B584 DZR Bronze
- Round Handle Option
- Adjustable Packing
- **Proudly Made in USA**

DIMENSIONS



PART NUMBER	SIZE (IN.)	DIMENSIONS (IN.)							
		A	B	C	D	E	F	G	H
77-101-01	1/4	0.43	1.09	2.18	1.77	3.87	0.50	1.12	10-24 NC
77-102-01	3/8	0.50	1.09	2.18	1.77	3.87	0.50	1.12	10-24 NC
77-103-01	1/2	0.50	1.09	2.18	1.77	3.87	0.50	1.12	10-24 NC
71-104-01	3/4	0.68	1.50	3.00	2.12	4.87	0.87	1.37	10-24 NC
71-105-01	1	0.87	1.68	3.37	2.25	4.87	0.87	1.37	10-24 NC
71-106-01	1-1/4	1.00	2.00	4.00	2.62	5.50	0.93	1.50	1/4-20 NC
71-107-01	1-1/2	1.25	2.18	4.37	2.87	8.00	0.93	1.50	1/4-20 NC
71-108-01	2	1.50	2.34	4.68	3.06	8.00	0.93	1.50	1/4-20 NC
71-100-01	3	2.50	3.37	6.75	4.12	8.00	3.37	2.75	1/4-20 NC

Actuation assistance available in Section D, with the Apollo Actuator Wizard located at actuatorwizard.apollovalves.com or by calling customer support at (704)841-6000.

71-500 SERIES

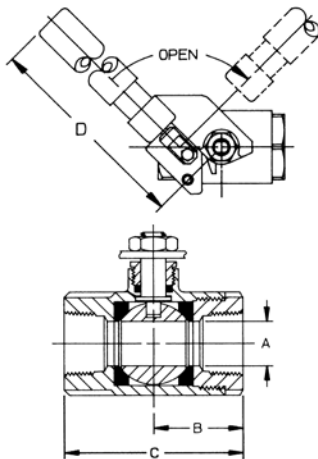
CAST BRONZE BALL VALVE SPRING RETURN HANDLE



Ideal in applications where the valve must be in OFF position at all times such as sampling and feeding fuel lines. Can be used in reverse with 90° reverse stem option. Basic configuration: spring return to CLOSED. All lever components are stainless steel.

FEATURES

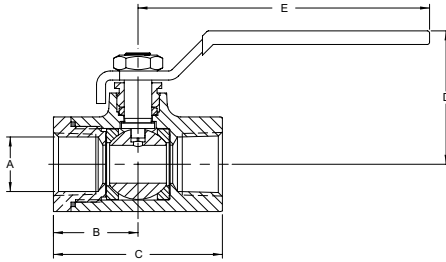
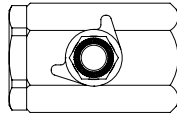
- Rated 600 psig CWP, Non-Shock
- 150 psig for Saturated Steam
- (-08) Spring Return to OPEN
- **Proudly Made in USA**



DIMENSIONS

PART NUMBER	SIZE (IN.)	DIMENSIONS (IN.)			
		A	B	C	D
71-501-01	1/4	0.43	1.12	2.25	7.00
71-502-01	3/8	0.50	1.12	2.25	7.00
71-503-01	1/2	0.50	1.12	2.25	7.00
71-504-01	3/4	0.68	1.50	3.00	7.00
71-505-01	1	0.87	1.68	3.37	7.00
71-506-01	1-1/4	1.00	2.00	4.00	9.00
71-507-01	1-1/2	1.25	2.18	4.37	9.00
71-508-01	2	1.50	2.34	4.68	9.00

73A-100 SERIES FORGED CARBON STEEL BALL VALVE



Threaded, 2 piece design, 1/4" to 1" 2000 psig CWP, 1-1/4" to 2" 1500 psig CWP Cold Non-Shock. 150 psig Saturated Steam.

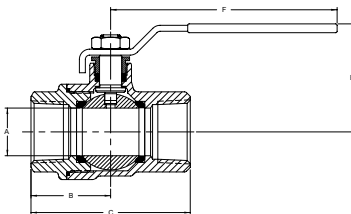
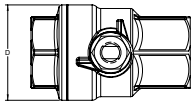
FEATURES

- RPTFE Seats & Packing
- Forged Construction
- Raised Handle Stops
- Blowout-Proof Stem Design
- Adjustable Packing Gland
- Zinc Phosphate Corrosion Protection
- (-24) Fire Safe to API 607 6th Edition
- AAR Approval No. E119022
- Vacuum Service to 29 in. Hg
- **Proudly Made in USA**

DIMENSIONS

PART NUMBER	SIZE (IN.)	DIMENSIONS (IN.)				
		A	B	C	D	E
73A-101-01A	1/4"	.37	1.02	2.30	1.72	3.85
73A-102-01A	3/8"	.37	1.08	2.37	1.72	3.85
73A-103-01A	1/2"	.50	1.18	2.31	1.78	3.85
73A-104-01A	3/4"	.68	1.57	3.07	2.07	4.75
73A-105-01A	1"	.87	1.73	3.40	2.18	4.75
73A-106-01	1-1/4"	1.00	1.98	3.97	2.72	5.50
73A-107-01	1-1/2"	1.25	2.14	4.32	3.12	7.75
73A-108-01	2"	1.50	2.73	5.44	3.27	7.75

76F-100-A SERIES STAINLESS STEEL FULL PORT BALL VALVE



Threaded, 2 piece design, 1/4"-3" 1000 psig CWP Cold Non-Shock, 150 psig. Saturated Steam, Vacuum Service to 29 inches Hg.

FEATURES

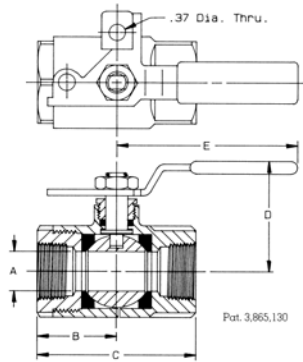
- 316 SS Investment Cast Components
- RPTFE Seats
- Two-Piece Body
- Blowout-Proof Stem Design
- Adjustable Packing Gland
- Meets NACE MR-01-75-2000
- SS Lever and Nut
- (-11) Therma-Seal™ Insulating Tee
- (-24) Certified to API 607, 6th Edition
- (-27) Locking Handle
- NSF/ANSI/CAN 61 - Water Quality
- NSF/ANSI/CAN 372 - Lead Free
- **Proudly Made in USA**

DIMENSIONS

PART NUMBER	SIZE (IN.)	DIMENSIONS (IN.)						WT. (LB.)
		A	B	C	D	E	F	
76F-101-01	1/4"	0.37	0.95	1.91	1.12	1.60	3.85	0.47
76F-102-01	3/8"	0.37	0.95	1.91	1.12	1.60	3.85	0.44
76F-103-01A	1/2"	.50	1.21	2.35	1.27	1.73	3.85	0.57
76F-104-01A	3/4"	.75	1.39	2.77	1.62	1.96	3.85	0.91
76F-105-01A	1"	1.00	1.67	3.34	2.00	2.27	4.75	1.38
76F-106-01A	1-1/4"	1.25	1.96	3.92	2.73	3.21	7.77	4.17
76F-107-01A	1-1/2"	1.50	2.05	4.10	2.92	3.31	7.77	4.69
76F-108-01A	2"	2.00	2.37	4.74	3.75	3.69	7.77	6.90
76F-100-01A	3"	3.00	3.70	7.40	5.68	5.23	10.03	22.4

75-100-41 SERIES

PADLOCKING BALL VALVE WITH AUTOMATIC DRAIN



Meets OSHA standards and provides for easy, safe maintenance of pneumatic tools. Valve drains downstream pressure for safety when lever is closed. Valve can be padlocked OPEN or CLOSED with same hardware.

FEATURES

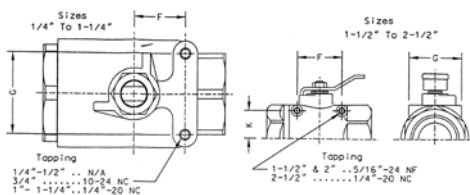
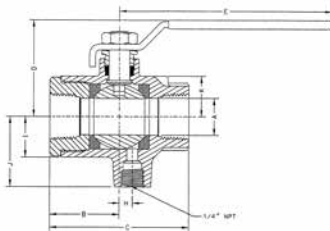
- Blowout-proof Stem Design
- Adjustable Packing Gland
- ASTM B584 Bronze
- RPTFE Seats and Stuffing Box Ring
- Pad Lock Lever
- Rated to 600 psi CWP - 150 SWP
- Temperature Range: 50°F to 200°F
- Valve Without Drain Option (suffix -01)
- **Proudly Made in USA**

DIMENSIONS

PART NUMBER	SIZE (IN.)	DIMENSIONS (IN.)				
		A	B	C	D	E
75-101-41	1/4	0.43	1.12	2.25	1.81	3.00
75-102-41	3/8	0.50	1.12	2.25	1.81	3.00
75-103-41	1/2	0.50	1.12	2.25	1.81	3.00
75-104-41	3/4	0.87	1.68	3.37	2.25	3.87
75-105-41	1	0.87	1.68	3.37	2.25	3.87
75-106-41	1-1/4	1.00	2.00	4.00	2.62	5.50
75-107-41	1-1/2	1.25	2.16	4.37	2.87	5.50
75-108-41	2	1.50	2.34	4.68	3.06	5.50

7K-100 SERIES

SAFETY EXHAUST VALVE W/ 1/4" NPT TAP FOR DRAIN



For use on pneumatic equipment. Furnished with a 1/4" NPT tapped drain to accommodate a muffler or to pipe the exhausted air to a safe location.

FEATURES

- Safely Vents Compressed Air (or Other Non-Hazardous Gases) From Piping Downstream of the Closed Valve
- Sizes 1/4" - 2-1/2"
- FNPT Threads
- Rated 125 psig, suitable application with air only
- Temperature Range: +50°F to +200°F
- Optional Stainless Steel Latch Lock Handle that Locks in Closed Position Only, Specify Suffix (-46)
- **Proudly Made in USA**

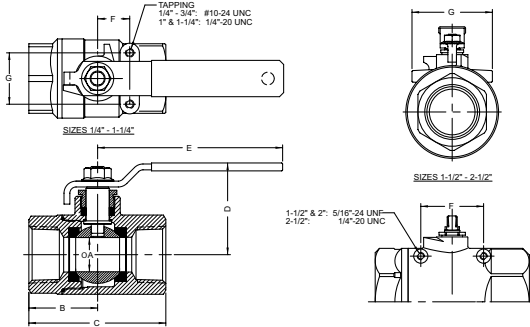
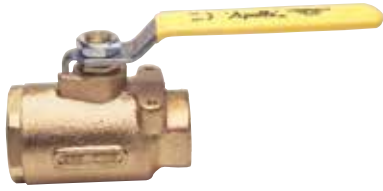
DIMENSIONS

PART NUMBER	SIZE (IN.)	DIMENSIONS (IN.)										
		A	B	C	D	E	F	G	H	I	J	K
7K-101-01	1/4	0.37	1.03	2.06	1.75	3.87	N/A	N/A	0.09	0.53	1.18	N/A
7K-102-01	3/8	0.37	1.03	2.06	1.75	3.87	N/A	N/A	0.09	0.53	1.18	N/A
7K-103-01	1/2	0.50	1.10	2.19	1.75	3.87	N/A	N/A	0.12	0.59	1.25	N/A
7K-104-01	3/4	0.81	1.56	3.12	2.12	4.78	0.87	1.37	0.29	0.90	1.56	0.90
7K-105-01	1	1.00	1.80	3.61	2.62	5.50	0.93	1.50	0.31	1.12	1.78	1.12
7K-106-01	1-1/4	1.25	2.12	4.25	2.87	5.50	0.93	1.50	0.37	1.37	2.03	1.37
7K-107-01	1-1/2	1.50	2.37	4.74	3.30	7.78	2.08	3.06	0.50	1.56	2.21	1.28
7K-108-01	2	2.00	2.70	5.38	3.71	7.78	2.41	3.52	0.62	2.03	2.68	1.56
7K-109-01	2-1/2	2.50	3.25	6.50	4.05	7.78	2.75	3.37	1.09	2.34	3.00	2.00

Also available in 70 & 77 Series as -41 option (without tapped drain)

77-100 SERIES

HEAVY DUTY FULL PORT NPT PANEL MOUNT BALL VALVE



Actuation assistance available in Section D, with the Apollo Actuator Wizard located at actuatorwizard.apollovalves.com or by calling customer support at (704)841-6000.

Designed for easy actuator mounting or panel mounting where highest C_v values are desired. RPTFE seats and stuffing box ring. Also available with 250 lb. steam trim option.

FEATURES

- Mounting Pad
- ASTM B584 Bronze
- Blowout-Proof Stem Design
- Adjustable Packing Gland
- Full Flow, Minimum Pressure Drop
- 600 CWP, Non-Shock Pressure Rating
- 150 SWP Steam Rating
- Chain Lever Kits Available 3/4"- 2-1/2" (-16, -58)
- **Proudly Made in USA**

OPTIONS

- (-27) Locking Handle
- (-92) Balance Stop

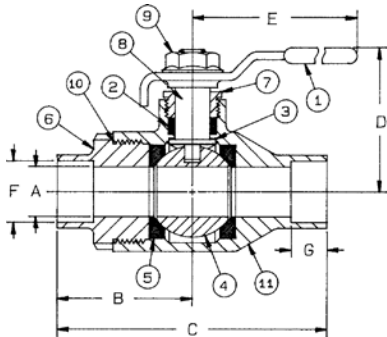
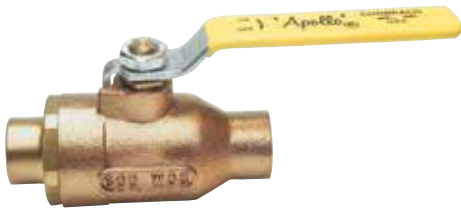
DIMENSIONS

PART NUMBER	SIZE (IN.)	DIMENSIONS (IN.)							CV*
		A	B	C	D	E	F	G	
77-101-01	1/4	0.43	1.12	2.25	1.81	3.87	0.50	1.12	8.1
77-102-01	3/8	0.50	1.12	2.25	1.81	3.87	0.50	1.12	15
77-103-01	1/2	0.50	1.12	2.25	1.81	3.87	0.50	1.12	15
77-104-01	3/4	0.81	1.56	3.12	2.12	4.87	0.87	1.37	51
77-105-01	1	1.00	1.81	3.62	2.62	5.50	0.93	1.50	68
77-106-01	1-1/4	1.25	2.12	4.25	2.87	5.50	0.93	1.50	125
77-107-01	1-1/2	1.50	2.37	4.75	3.34	8.00	2.08	3.06	177
77-108-01	2	2.00	2.65	5.37	3.71	8.00	2.41	3.52	389
77-109-01	2-1/2	2.50	3.25	6.50	4.12	8.00	2.75	3.37	503

The Cv factor is the gallons of water per minute that the valve will pass with 1 psig pressure drop.

77-200 SERIES

HEAVY DUTY FULL PORT SOLDER END BALL VALVE



Designed to be soldered into lines without disassembly. This allows a factory tested valve to be installed without disturbing the seats and seals. Designed for soft solder with melt points less than 500°F.

FEATURES

- Heavy Duty Cast Bronze Body
- Chromium Plated Ball
- Blowout-Proof Stem Design
- Adjustable Packing Gland
- Full Flow, Minimum Pressure Drop
- 600 CWP, Non-Shock Pressure Rating
- **Proudly Made in USA**

DIMENSIONS

PART NUMBER	SIZE (IN.)	DIMENSIONS (IN.)						
		A	B	C	D	E	F	G
77-204-01	3/4	0.81	2.12	4.12	2.12	4.87	0.88	0.75
77-205-01	1	1.00	2.33	4.60	2.62	5.50	1.13	0.90
77-206-01	1-1/4	1.25	2.60	5.15	2.87	5.50	1.38	0.96
77-207-01	1-1/2	1.50	3.00	6.00	3.34	8.00	1.63	1.09
77-208-01	2	2.00	3.62	7.24	3.71	8.00	2.13	1.34
77-209-01	2-1/2	2.50	3.93	7.87	4.12	8.00	2.63	1.48

77-900 SERIES

FULL PORT SAE STRAIGHT-THREAD BALL VALVE

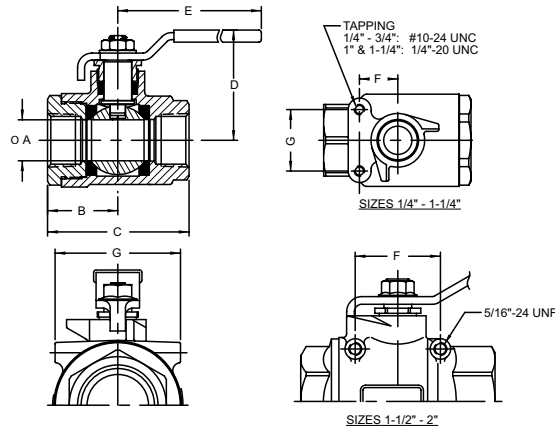


Valve connections are designed for extended leak-free and energy saving performance in a broad range of applications, especially in manufacturing environments.

FEATURES

- Mounting Pad for Easy Actuation
- 600 CWP Non-Shock
- 150 SWP
- ASTM B584 Bronze
- SAE J1926-1 (ISO 11926-1) Connections
- RPTFE Seats & Packing
- Blowout-Proof Stem and Lever Handle Standard
- Adjustable Packing Gland
- Full Port
- Straight Thread with O-Ring Boss Connection
- **Proudly Made in USA**

DIMENSIONS



PART NUMBER	NOM. TUBE O.D. (IN.)	SIZE (IN.)	DIMENSIONS (IN.)						
			A	B	C	D	E	F	G
77-901-01	1/4	7/16-20	0.43	1.12	2.25	1.81	3.87	0.50	1.12
77-902-01	3/8	9/16-18	0.50	1.12	2.25	1.81	3.87	0.50	1.12
77-903-01	1/2	3/4-16	0.50	1.12	2.25	1.81	3.87	0.50	1.12
77-904-01	3/4	11/16-12	0.81	1.56	3.12	2.12	4.87	0.87	1.37
77-905-01	1	15/16-12	1.00	1.81	3.62	2.62	5.50	0.93	1.50
77-906-01	1-1/4	1-5/8-12	1.25	2.12	4.25	2.87	5.50	0.93	1.50
77-907-01	1-1/2	1-7/8-12	1.50	2.37	4.75	3.34	8.00	2.08	3.06
77-908-01	2	2-1/2-12	2.00	2.65	5.37	3.71	8.00	2.41	3.52

Actuation assistance available in Section D, with the Apollo Actuator Wizard located at actuatorwizard.apollovalves.com or by calling customer support at (704)841-6000.

77D SERIES

BRONZE BALL VALVE W/ DIRECT ISO MOUNTING PAD



Apollo's solid stainless steel ball design in a bronze valve with an integral ISO 5211 mounting pad with 100% American construction.

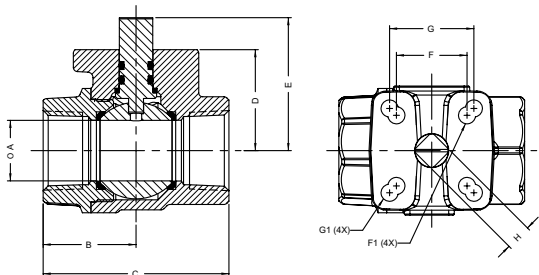
FEATURES

- 600 CWP Pressure Rating
- Multi-Fill Seats and Stem Bearing
- Blowout-Proof Stem Design
- Vacuum Service to 29 in. Hg
- High Cycle Dual O-Ring Stem Seal Design
- EPDM is Standard. Most Liquids and Gases are Compatible with the O-Ring Seals
- Ball is Slot Vented to Equalize Cavity and Line Pressure
- MSS SP-110 Compliant
- Direct Mount Actuator Ready
- **Proudly Made in USA**

SEATS

SUFFIX	MATERIAL	TEMP RANGE	STEAM (MAX)
-01E (Standard)	EPDM	-20 to 400°F	150 SWP @ 366°F
-01N	Nitrile	-20 to 250°F	15 SWP @ 250°F
-01V	Viton	-20 to 400°F	50 SWP @ 297°F

DIMENSIONS



PART NUMBER	SIZE (IN.)	DIMENSIONS (IN.)									
		A	B	C	D	E	F	ØF1	G	ØG1	H
77D-143-01E	1/2	0.50	1.15	2.25	1.00	1.37	0.997	0.224	1.167	0.281	0.275
77D-144-01E	3/4	0.75	1.33	2.65	1.38	1.79	1.167	0.281	1.392	0.281	0.275
77D-145-01E	1	1.00	1.54	3.07	1.67	2.20	1.167	0.281	1.392	0.281	0.430
77D-147-01E	1-1/2	1.50	2.12	4.23	2.31	3.05	N/A	N/A	1.949	0.344	0.551
77D-148-01E	2	2.00	2.43	4.85	2.68	3.43	N/A	N/A	1.949	0.344	0.551

7K-SV SERIES

SECURE-VENT FEATURE (-SV)



(7K-SV SERIES SHOWN)

Available on the Apollo 77 and 7K full port bronze ball valves. Safely vents compressed air (or other non-hazardous gases) from piping downstream of the closed valve.

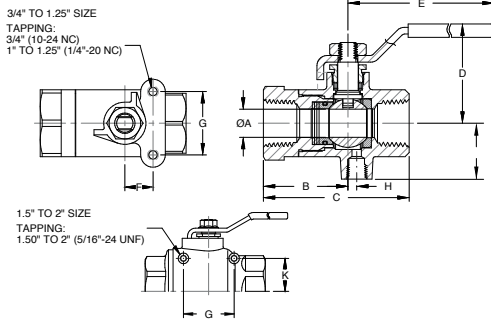
FEATURES

- Reliable Shut-Off and Venting
- Pressure Rating: 200 psig CWP, Non-Shock
- Temperature Range: -20°F to 200°F
- Economical "No Leakage" Operation
- Belleville Spring Live-Loaded Active Upstream Seating
- Available with a Full Complement of Handles
- **Proudly Made in USA**

DIMENSIONS

PART NUMBER	SIZE	DIMENSIONS (IN.)										WT. (LB.)
		A	B	C	D	E	F	G	H	J	K	
7K-103-SV	1/2"	0.50	1.50	2.59	1.76	3.88	0.50	1.12	0.12	1.25	-	0.73
7K-104-SV	3/4"	0.81	1.82	3.37	2.16	4.78	0.87	1.37	0.29	1.56	0.901	1.93
7K-105-SV	1"	1.00	2.05	3.86	2.69	5.43	0.93	1.50	0.31	1.78	1.121	3.42
7K-106-SV	1.25"	1.25	2.37	4.50	2.91	5.43	0.93	1.50	0.37	2.03	1.371	5.15
7K-107-SV	1.5"	1.50	2.63	5.00	3.31	7.78	1.04	3.06	0.50	2.21	1.282	6.81
7K-108-SV	2"	2.00	3.00	5.69	3.73	7.78	1.20	3.52	0.62	2.68	1.562	11.85

1 To Top of Mounting Pad
2 To Centerline of Mounting Pad

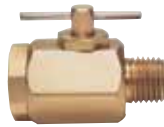


78-260/290 SERIES

INSTRUMENTATION BALL VALVES / TEST COCKS



78LF-290: BRONZE



78-261: BRASS

Brass and bronze instrumentation ball valves and backflow test cocks. Male x female threaded. 400 psig CWP, non-shock. Air and liquid service.

FEATURES

- Micro-Finish Ball
- Blowout-Proof Stem Design
- PTFE Seats
- Nitrile Stem Seal
- Plated Steel Tee Handle
- Compact Design
- Optional Mixed End Fittings Available

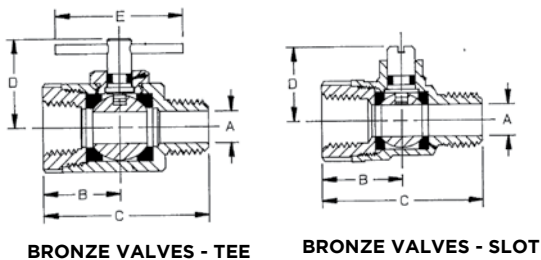
BRASS INSTRUMENTATION BALL VALVE - TEE HANDLE

PART NUMBER	SIZE (IN.)	DIMENSIONS (IN.)					C _v *	WT. (LB.)
		A	B	C	D	E		
78-261-05	1/4M x 1/4F	0.31	0.43	1.43	0.87	1.25	5.50	0.19

BRONZE INSTRUMENTATION BALL VALVE (INTERNATIONAL) - SCREW SLOT - LEAD FREE

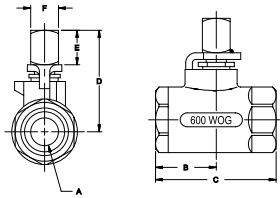
PART NUMBER	SIZE (IN.)	DIMENSIONS (IN.)					C _v *	WT. (LB.)
		A	B	C	D	E		
78LF-290-01	1/8M x 1/4F	0.21	0.80	1.60	0.72	N/A	4.00	0.19
78LF-291-01	1/4M x 1/4F	0.31	0.80	1.60	0.72	N/A	5.50	0.19
78LF-292-01	1/8 x 1/4 SAE	0.21	0.80	1.60	0.72	N/A	4.00	0.19
78LF-293-01	1/4 x 1/4 SAE	0.31	0.80	1.60	0.72	N/A	5.50	0.19

*The C_v factor is the gallons of water per minute that the valve will pass with a 1 psig pressure drop.
*Also see 94MBV Instrumentation Ball Valve



78-130 SERIES

FEMALE END IRRIGATION VALVE (UNDERGROUND SERVICE)



Ideal for underground or below grade applications. This series (3/8"-2" FNPT) features a square head nut welded to the stem to allow operations with a ground key from standard grade.

OPTIONS

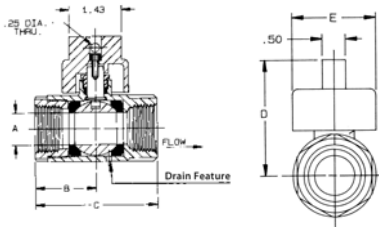
- (-41) Auto-Drain (Directional)

DIMENSIONS

PART NUMBER	SIZE (IN.)	DIMENSIONS (IN.)					
		A	B	C	D	E	F
78-132-01	3/8	0.37	1.03	2.06	1.75	0.62	0.50
78-133-01	1/2	0.50	1.09	2.18	1.83	0.62	0.50
78-134-01	3/4	0.68	1.50	3.00	2.12	0.62	0.62
78-135-01	1	0.87	1.68	3.37	2.25	0.62	0.62
78-136-01	1-1/4	1.00	2.00	4.00	2.88	0.75	0.75
78-137-01	1-1/2	1.25	2.18	4.38	3.06	0.75	0.75
78-138-01	2	1.50	2.34	4.68	3.25	0.75	0.75

78-620 SERIES

BRONZE NPT IRRIGATION VALVE WITH AUTO-DRAIN



Ideal for underground use or where drained media will not cause damage. Heavy pattern design features ASTM B584 bronze body.

FEATURES

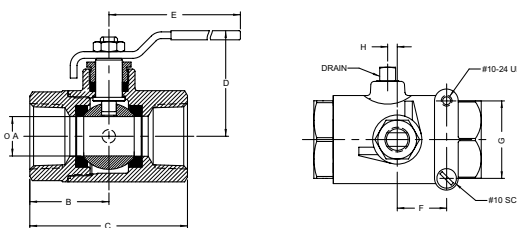
- Auto-Drain Feature (When Valve is in Closed Position) is Standard
- Adjustable Packing Gland
- RPTFE Seats and Seals
- Stainless Steel Cover
- 200 psig Water, CWP, Non-Shock
- Temperature Range +50°F to 200°F
- **Proudly Made in USA**

DIMENSIONS

PART NUMBER	SIZE (IN.)	DIMENSIONS (IN.)				
		A	B	C	D	E
78-621-01	3/4	0.68	1.47	2.96	2.40	1.81
78-622-01	1	0.87	1.66	3.34	2.53	1.81
78-623-01	1-1/4	1.00	1.98	3.97	3.00	2.50
78-624-01	1-1/2	1.25	2.12	4.28	3.18	2.50
78-625-01	2	1.50	2.35	4.67	3.37	2.50

78-660 & 962 SERIES

BRONZE PURGE & DRAIN BALL VALVE (CENTER DRAIN)



Center tap drain allows for winterization or purge and drain function. Features bronze body with built-in mounting pad for panel mounting or actuation. Ideal for hydronic heating and marine applications, downstream of the closed valve.

FEATURES

- 1/8" NPT Side Tap and Plug
- RPTFE Seats and Stuffing Box Ring
- Stainless Steel Lever and Nut
- Blowout-Proof Stem
- 600 psig CWP, Non-Shock
- Adjustable Packing
- Drainable Ball Cavity to Prevent Freezing
- **Proudly Made in USA**

DIMENSIONS

PART NUMBER	SIZE (IN.)	DIMENSIONS (IN.)							
		A	B	C	D	E	F	G	H
78-664-01	3/4	0.68	1.50	3.00	2.12	4.87	0.87	1.37	0.17
78-665-01	1	0.87	1.68	3.37	2.25	4.87	0.87	1.37	0.21
78-667-01	1-1/2	1.25	2.18	4.37	3.05	8.00	0.93	1.50	0.40
78-962-01	2	1.50	2.34	4.68	3.24	8.00	0.93	1.50	0.45

Actuation assistance available in Section D, with the Apollo Actuator Wizard located at actuatorwizard.apollovalves.com or by calling customer support at (704)841-6000.

9A-100 SERIES

HEAVY PATTERN UNIBODY THREADED BALL VALVE



One piece bronze valve eliminates leak paths. Features static grounding devices and adjustable packing gland. Lever handle standard.

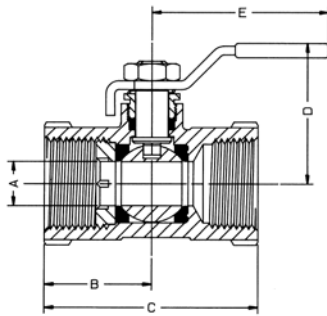
FEATURES

- Cast DZR Bronze
- Rated 600 psig CWP, Non-Shock
- 150 SWP
- Blowout-Proof Stem Design
- **Proudly Made in USA**

OPTIONS

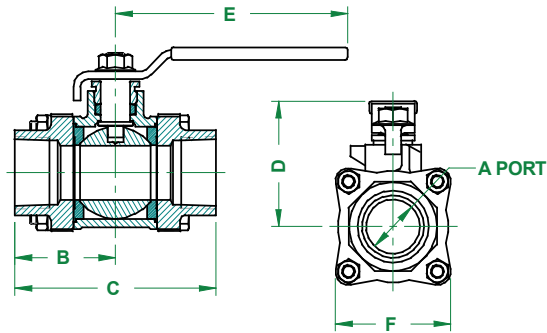
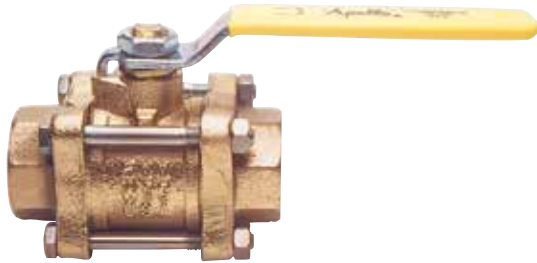
- (-30) Cam Lock
- (-15) Round Handle
- (-27) Latch Lock Handle
- (9A-14x) Stainless Steel Ball & Stem

DIMENSIONS



PART NUMBER	SIZE (IN.)	DIMENSIONS (IN.)				
		A	B	C	D	E
9A-101-01	1/4	0.37	1.34	2.59	1.68	3.87
9A-102-01	3/8	0.37	1.34	2.59	1.68	3.87
9A-103-01	1/2	0.37	1.34	2.59	1.81	3.87
9A-104-01	3/4	0.50	1.44	2.84	1.84	3.87
9A-105-01	1	0.62	1.72	3.28	2.00	4.87
9A-106-01	1-1/4	0.81	1.94	3.84	2.18	4.87
9A-107-01	1-1/2	1.00	2.06	4.00	2.68	5.50
9A-108-01	2	1.25	2.29	4.56	2.87	5.50

82-100 SERIES FULL PORT BRONZE THREE-PIECE VALVE



This inline-repairable three-piece ball valve offers RPTFE seats and seals and a 600 CWP, non-shock rating.

FEATURES

- ASTM B584 DZR Bronze Body and Ends
- Heavy Duty Body and Seals
- SAE Grade 8 Body Bolts
- Adjustable Packing Nut
- Full Port Flow
- 600 CWP, 150 SWP (3"-4" 400 CWP, 150 SWP)
- EZ-Solder™ Lead Free Bronze
- **Proudly Made in USA**

- MSS SP-110 BALL VALVES
- CRN: OC10908.5C
- IAPMO/ANSI Z1157 BALL VALVES

OPTIONS

- 82-14x/24x w/ SS Ball and Stem Option
- 82LF (Lead Free):
 - NSF/ANSI/CAN 61 - Water Quality
 - NSF/ANSI/CAN 372 - Lead Free
 - Easily Identifiable White Handle Grip and Blue "Lead Free" Hang Tag

DIMENSIONS - NPT

PART NUMBER	LF PART NUMBER	SIZE (IN.)	DIMENSIONS (IN.)						WT. (LB.)
			A	B	C	D	E	F	
82-101-01	82LF-101-01	1/4"	0.43	1.28	2.56	1.81	3.87	1.60	1.02
82-102-01	82LF-102-01	3/8"	0.50	1.28	2.56	1.81	3.87	1.60	1.04
82-103-01	82LF-103-01	1/2"	0.62	1.40	2.81	1.93	4.87	1.78	1.55
82-104-01	82LF-104-01	3/4"	0.81	1.71	3.43	2.18	4.87	1.98	2.27
82-105-01	82LF-105-01	1"	1.00	1.93	3.87	2.62	5.50	2.22	3.28
82-106-01	82LF-106-01	1.25"	1.25	2.37	4.75	2.87	5.50	2.70	5.62
82-107-01	82LF-107-01	1.5"	1.50	2.62	5.25	3.37	8.00	3.03	8.07
82-108-01	82LF-108-01	2"	2.00	3.01	6.03	3.68	8.00	3.87	14.42
82-109-01	82LF-109-01	2.5"	2.50	3.62	7.25	5.14	9.75	5.05	26.61
82A-140-01	-	3"	3.00	4.18	8.37	8.10	19.13	5.82	43.00
82A-14A-01	-	4"	4.00	5.43	10.86	8.88	19.13	7.77	106.00

*3" & 4" valves come standard with SS ball and stem (not optional) and adjustable length locking handles.

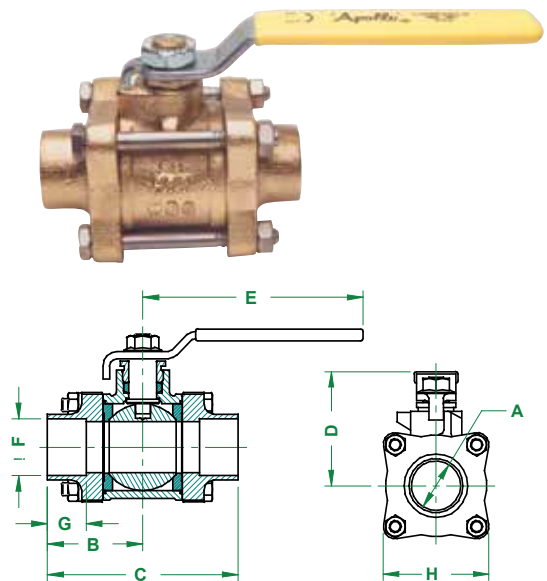
Designed for soft soldering or brazed* installation. Includes RPTFE seats and seals.

DIMENSIONS - SOLDER

PART NUMBER	LF PART NUMBER	SIZE (IN.)	DIMENSIONS (IN.)							
			A	B	C	D	E	F	G	H
82-202-01	82LF-202-01	3/8"	0.44	1.28	2.56	1.81	3.87	0.50	0.38	1.60
82-203-01	82LF-203-01	1/2"	0.56	1.40	2.81	1.93	4.87	0.63	0.50	1.78
82-204-01	82LF-204-01	3/4"	0.83	1.71	3.43	2.18	4.87	0.88	0.75	1.98
82-205-01	82LF-205-01	1"	1.00	1.93	3.87	2.62	5.50	1.13	0.90	2.22
82-206-01	82LF-206-01	1-1/4"	1.25	2.37	4.75	2.87	5.50	1.38	0.97	2.70
82-207-01	82LF-207-01	1-1/2"	1.50	2.62	5.25	3.37	8.00	1.63	1.09	3.03
82-208-01	82LF-208-01	2"	2.00	3.01	6.03	3.68	8.00	2.13	1.34	3.87
82-209-01	82LF-209-01	2-1/2"	2.50	3.62	7.25	5.14	9.75	2.63	1.47	5.05
82A-240-01	-	3"	3.00	4.18	8.37	8.10	19.13	3.13	1.66	5.82
82A-24A-01	-	4"	4.00	5.43	10.86	8.88	19.13	4.13	2.16	7.77

*3" & 4" valves come standard with SS ball and stem (not optional) and adjustable length locking handles.

*82LF-2xxA cannot be brazed and is intended for soft solder installation using solders with melting temperature of < 500°F.



82-200/82-240 SERIES

THREE-PIECE FULL PORT VALVE WITH BRAZED TUBE EXTENSIONS

"F1 - 1 GAUGE PORT", "F3 - 2 GAUGE PORTS", & "NO GAUGE PORT" CONFIGURATIONS

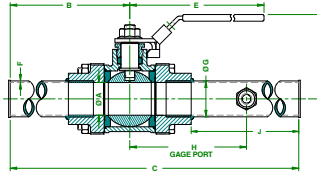
- Bronze Valve Body & End Caps
- RPTFE Seats and Stem Packing
- 600 psig CWP Non-Shock (3" & 4" 400 CWP)
- Vacuum Service to 29" Hg
- Full Port in All Sizes
- Blowout-Proof Stem Design
- Adjustable Packing Nut
- In-Line Repairable
- Latch Lock Handle
- Cleaned and Bagged for Oxygen
- Service per CGA G4.1 & NFPA 99
- Factory Brazed Extensions Allow Solder or Brazed Installation Without Disassembly
- Type K Copper Tubing Brazed Into Both End Caps
- Proudly Made in USA**

OUTSIDE THE ZONE BOX

NFPA 99 requires the valves to be secured in the open position. For medical gas applications that are Outside-the-Zone-Box, Apollo offers three standard configurations: "F1" (1 gauge port), "F3" (2 gauge ports) & no gauge ports (w/ locking handles).

82-200-F1/82-240-F1 SERIES

MALE EXTENSIONS - 1 GAUGE PORT



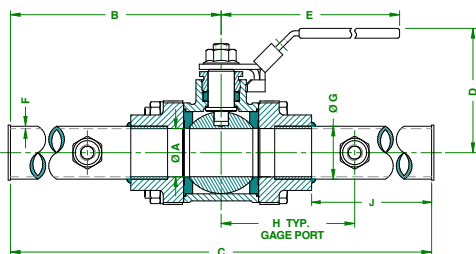
DIMENSIONS

OXYGEN CLEANED					SIZE (IN.)	DIMENSIONS (IN.)								WT. (LB.)		
BRASS TRIM PLATED PART NUMBER	316SS BALL & STEM PART NUMBER	BRASS TRIM PLATED PART NUMBER	316SS BALL & STEM PART NUMBER	316SS BALL, STEM & EXT. TRIM PART NUMBER		A	B	C	D	LOCKING E	NON LOCKING E	F	G		H	J
W/ LOCKING HANDLE		W/ NON-LOCKING HANDLE														
82-203-F1	82-243-F1	82-203-F2	82-243-F2		1/2"	0.62	6.91	17.41	2.23	5.31	4.75	0.049	0.625	7.15	9.10	1.7
82-204-F1	82-244-F1	82-204-F2	82-244-F2		3/4"	0.81	6.97	17.47	2.41	5.31	4.75	0.065	0.75	7.22	8.78	2.4
82-205-F1	82-245-F1	82-205-F2	82-245-F2		1"	1.00	7.03	17.62	3.01	6.29	5.56	0.065	1.25	7.28	5.09	3.4
82-206-F1	82-246-F1	82-206-F2	82-246-F2		1-1/4"	1.25	7.38	22.71	3.22	6.29	5.56	0.065	1.375	7.00	12.97	5.5
82-207-F1	82-247-F1	82-207-F2	82-247-F2		1-1/2"	1.50	7.50	22.57	4.04	8.93	7.75	0.072	1.625	6.74	12.48	8.5
82-208-F1	82-248-F1	82-208-F2	82-248-F2		2"	2.00	7.74	22.58	4.15	8.93	7.75	0.083	2.125	6.51	11.76	14.0
82-209-F1	82-249-F1	82-209-F2	82-249-F2		2-1/2"	2.50	11.75	23.50	5.31	10.06	9.92	0.095	2.50	6.38	8.13	26.8
-	-	-	-	82A-240-E9	3"	3.00	11.94	23.87	8.10	18.00*	-	0.0450	3.00	7.75	7.76	42.2
-	-	-	-	82A-24A-E9	4"	4.00	12.68	25.37	8.88	18.00*	-	0.0700	4.00	8.00	7.25	106.0

*3" & 4" valves come standard with SS ball and stem (not optional) and adjustable length locking handles.

82-200-F3/82-240-F3 SERIES

MALE EXTENSIONS - 2 GAUGE PORTS



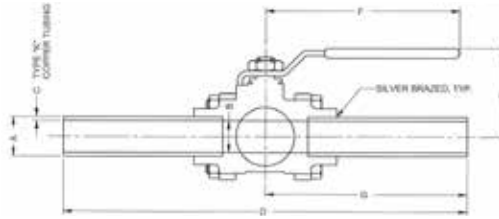
DIMENSIONS

OXYGEN CLEANED W/ LOCKING HANDLE		SIZE (IN.)	DIMENSIONS (IN.)								WT. (LB.)	
BRASS TRIM PLATED PART NUMBER	316SS BALL & STEM PART NUMBER		A	B	C	D	LOCKING E	F	G	H		J
82-203-F3	82-243-F3	1/2"	0.62	12.27	24.53	2.23	5.31	0.049	0.625	4.25	10.84	1.66
82-204-F3	82-244-F3	3/4"	0.81	12.25	24.50	2.41	5.31	0.065	0.75	4.24	10.53	2.37
82-205-F3	82-245-F3	1"	1.00	12.30	24.60	3.01	6.29	0.065	1.25	4.24	10.32	3.43
82-206-F3	82-246-F3	1-1/4"	1.25	12.23	24.46	3.22	6.29	0.065	1.375	4.23	9.89	5.50
82-207-F3	82-247-F3	1-1/2"	1.50	12.25	24.50	4.04	8.93	0.072	1.625	4.25	9.63	8.51
82-208-F3	82-248-F3	2"	2.00	12.25	24.50	4.15	8.93	0.083	2.125	4.25	9.18	14.0
82-209-F3	82-249-F3	2-1/2"	2.50	11.75	23.50	5.31	10.06	0.095	2.50	6.38	8.13	26.81
-	82A-240-F3	3"	3.00	11.94	23.87	8.10	18"	0.0450	3.00	7.75	7.78	42.24
-	82A-24A-F3	4"	4.00	12.68	25.37	8.88	18"	0.0700	4.00	8.00	7.25	106.0

*3" & 4" valves come standard with SS ball and stem (not optional) and adjustable length locking handles.

82-200/82-240 SERIES

MALE EXTENSIONS - NO GAUGE PORTS



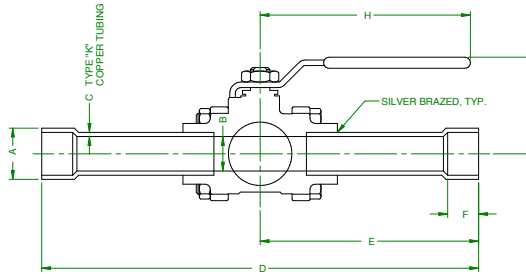
DIMENSIONS

STANDARD		OXYGEN CLEANED					SIZE (IN.)	DIMENSIONS (IN.)										WT. (LB.)
BRASS TRIM PLATED PART NUMBER	316SS BALL & STEM PART NUMBER	BRASS TRIM PLATED PART NUMBER	316SS BALL & STEM PART NUMBER	316SS BALL, STEM & EXT. TRIM PART NUMBER	BRASS TRIM PLATED PART NUMBER	316SS BALL & STEM PART NUMBER		A	B	C	D	E	LOCKING F	NON LOCKING F	G	H		
W/ NON-LOCKING HANDLE		W/ NON-LOCKING HANDLE			W/ LOCKING HANDLE													
82-203-B8	82-243-A8	82-203-K1	82-243-K1	82-243-C4	82-203-G3	82-243-G3	1/2"	5/8	0.62	0.049	13.81	2.00	4.87	5.28	6.00	5.50	1.7	
82-204-A8	82-244-B3	82-204-K1	82-244-K1	82-244-C6	82-204-G3	82-244-G3	3/4"	7/8	0.81	0.065	13.93	2.18	4.87	5.28	6.00	5.25	2.4	
82-205-B7	82-245-B1	82-205-K1	82-245-K1	82-245-E3	82-205-G3	82-245-G3	1"	1-1/8	1.00	0.065	14.04	2.62	5.50	6.25	6.00	5.09	3.4	
82-206-B7	82-246-B0	82-206-K1	82-246-K1	82-246-C0	82-206-G3	82-246-G3	1-1/4"	1-3/8	1.25	0.065	14.75	2.89	5.50	6.25	6.00	5.03	5.5	
82-207-B2	82-247-B2	82-207-K1	82-247-K1	82-247-C6	82-207-G3	82-247-G3	1-1/2"	1-5/8	1.50	0.072	15.07	3.37	8.00	8.92	6.00	4.91	8.5	
82-208-B7	82-248-B2	82-208-K1	82-248-K1	82-248-C4	82-208-G3	82-248-G3	2"	2-1/8	2.00	0.083	15.23	3.70	8.00	8.92	6.00	4.66	14.2	
82-209-A2	82-249-A2	82-209-K1	82-249-K1	-	82-209-G3	82-249-G3	2-1/2"	2-5/8	2.50	0.095	23.51	5.14	9.38	10.06	9.60	8.13	26.8	
-	82A-240-A2	-	82A-240-K1	-	-	-	3"	3-1/8	3.00	0.109	24.00	6.77	18.00*	-	9.40	7.76	42.24	
-	82A-24A-A0	-	82A-24A-K1	-	-	-	4"	4-1/8	4.00	0.134	25.50	8.26	18.00*	-	9.41	7.25	106.0	

*3" & 4" valves come standard with SS ball and stem (not optional) and adjustable length locking handles.

82-200/82-240 SERIES

FEMALE EXTENSIONS - NO GAUGE PORTS



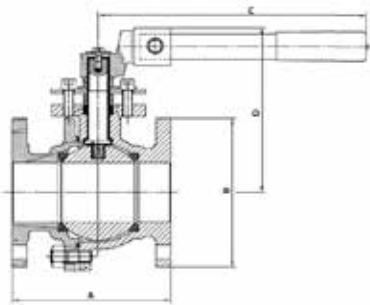
DIMENSIONS

STANDARD		OXYGEN CLEANED					SIZE (IN.)	DIMENSIONS (IN.)										WT. (LB.)
BRASS TRIM PLATED PART NUMBER	316SS BALL & STEM PART NUMBER	BRASS TRIM PLATED PART NUMBER	316SS BALL & STEM PART NUMBER	BRASS TRIM PLATED PART NUMBER	316SS BALL & STEM PART NUMBER	BRASS TRIM PLATED PART NUMBER		316SS BALL & STEM PART NUMBER	A	B	C	D	E	F	G	LOCKING H	NON LOCKING H	
W/ NON LOCKING HANDLE		W/ LOCKING HANDLE			W/ NON LOCKING HANDLE			W/ LOCKING HANDLE										
82-203-C2	82-243-B8	-	-	82-203-K2	82-243-K2	82-203-E0	82-243-E0	1/2"	5/8"	0.62	0.049	14.80	7.40	0.50	2.00	4.87	5.28	1.7
82-204-C3	82-244-C1	82-204-F0	-	82-204-K2	82-244-K2	82-204-E0	82-244-C9	3/4"	7/8"	0.81	0.065	15.42	7.71	0.75	2.18	4.87	5.28	2.4
82-205-C2	82-245-C1	82-205-G4	-	82-205-K2	82-245-K2	82-205-E4	82-245-E0	1"	1-1/8"	1.00	0.065	15.84	7.92	0.90	2.62	5.50	6.25	3.5
82-206-C1	82-246-C1	-	-	82-206-K2	82-246-K2	82-206-C7	82-246-C2	1-1/4"	1-3/8"	1.25	0.065	16.69	8.34	0.96	2.87	5.50	6.25	5.6
82-207-B8	82-247-C5	82-207-E9	-	82-207-K2	82-247-K2	82-207-C5	82-247-E3	1-1/2"	1-5/8"	1.50	0.072	16.16	8.58	1.09	3.37	8.00	8.92	8.6
82-208-C1	82-248-C0	82-208-E4	-	82-208-K2	82-248-K2	82-208-C8	82-248-C7	2"	2-1/8"	2.00	0.083	18.12	9.06	1.34	3.70	8.00	8.92	14.3
-	-	-	-	82-209-K2	82-249-K2	82-209-A8	82-249-A8	2-1/2"	2-5/8"	2.50	0.095	23.50	9.62	1.47	5.14	9.38	10.06	26.8
-	-	-	-	-	-	-	82A-240-K2	3"	3-1/8"	3.00	0.109	23.87	10.25	1.66	6.77	18.00*	-	42.25

*3" valves are equipped with adjustable length locking handles.

6PLF SERIES

CAST IRON CLASS 125 FLANGED BALL VALVE - LEAD FREE



The cast iron/epoxy coated, Class 125 Apollo International™ 6PLF series lead free ball valves offer unobstructed turbulence-free flow that gate and butterfly valves can't match. Compact design and low profile handle for easy installation in tight areas. Ideal for both potable water and general HVAC applications.

FEATURES

- A126 Class B Cast Iron Body with FDA Food-Grade Epoxy Powder Coat
- ANSI 125# Flanged Connections
- Stainless Steel Ball & Stem
- PTFE Seats and Packing
- 200 CWP / 125 SWP
- ISO 5211 Mounting Pad for Easy Actuation
- Adjustable Stem Packing
- Full Port Through 6"
- Vacuum Service to 29in Hg
- Lever Handles 2-6"; Gear Operators 8-10"
- NSF/ANSI/CAN 61 - Water Quality
- NSF/ANSI 372 - Lead Free
- ANSI B16.10 Face-to-Face Dimensions
- Allows Direct Replacement of Comparable Gate Valves

DIMENSIONS

LF PART NUMBER	SIZE (IN.)	DIMENSIONS (IN.)				WT. (LB.)	ACTUATION KIT	DESCRIPTION
		A	B	C	D			
6PLF-208-01	2	7.00	6.00	12.20	6.50	22.70	78253001	KIT, MTG, 6PLF208 TO A0150
6PLF-209-01	2-1/2	7.50	7.00	13.78	7.42	36.73	78253101	KIT, MTG, 6PLF209 TO A0150
6PLF-200-01	3	8.00	7.50	13.78	8.17	46.63	78253201	KIT, MTG, 6PLF200 TO A0150
6PLF-20A-01	4	9.00	9.00	15.75	9.00	71.83	78253301	KIT, MTG, 6PLF20A TO A0350/0600
6PLF-20C-01	6	10.50	11.00	30.00	11.32	111.99	78253401	KIT, MTG, 6PLF20C TO A0950
6PLF-20E-01*	8	11.50	13.50	30.00	11.32	210.54	78253501	KIT, MTG, 6PLF20E/20G TO A01600/A2500
6PLF-20G-01*	10	13.00	16.00	33.00	13.05	294.10	78253501	KIT, MTG, 6PLF20E/20G TO A01600/A2500

*Gear operator is standard

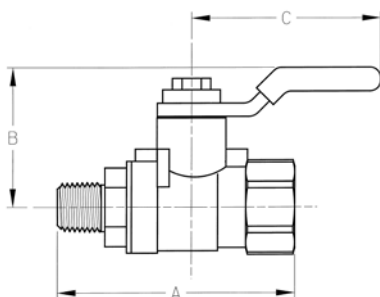
94 MBV SERIES

MINI BALL VALVE GAS RATED - APOLLO INTERNATIONAL™



M x F

F x F



Designed for commercial and light industrial use. Full port, constructed of heavy-duty forged brass, PTFE seats and gland follower with double Viton o-rings to prevent stem leakage.

FEATURES

- 600 CWP
- Reversible Handle
- Blowout-Proof Stem
- Double Viton O-Ring Stem Seals
- Large Raised Wrench Flats
- Chrome Plated Brass Ball
- Ideal for Use as a Gas or Gauge Cock
- Temperature Range: -40°F to 300°F

CSA LISTED

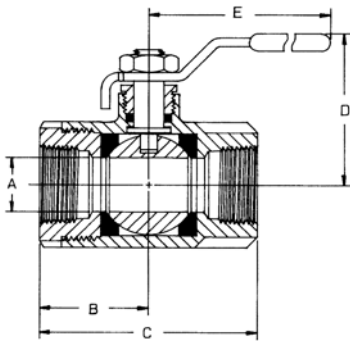
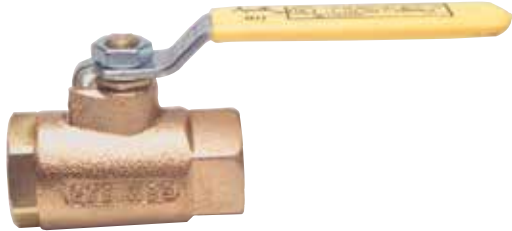
- ANSI Z21.15-2009 / CSA 9.1-2009 (1/2 psi) - Manually Operated Gas Valves for Appliances
- ASME B16.44-2002 - Manually Operated Metallic Gas Valves for Use in Above Ground Piping Systems (2 and 5 psig)
- MSS SP-110 Compliant

DIMENSIONS

PART NUMBER	SIZE (IN.)	DIMENSIONS (IN.)			PORT (DIA.)	WT. (LB.)
		A	B	C		
94-MBV-02	1/4 FNPT x 1/4 MNPT	1.95	1.09	1.71	0.31	0.20
94-MBV-03	1/4 FNPT x 1/4 FNPT	1.68	1.09	1.71	0.31	0.17
94-MBV-04	1/8 FNPT x 1/8 MNPT	1.95	1.09	1.71	0.31	0.16
94-MBV-05	1/8 FNPT x 1/8 FNPT	1.68	1.09	1.71	0.31	0.16

80 SERIES

UL LISTED GAS BRONZE SHUT-OFF VALVE



UL listed, heavy pattern, bronze shut-off valve for LP gas, natural gas, flammable liquids and heated oil. Features easy quarter-turn ON/OFF, a large port to reduce pressure drop and NPT connections.

FEATURES

- RPTFE Seats and Seals
- Rated 600 psig CWP, Non-Shock
- 250 psig LP Gas
- **Proudly Made in USA**

OPTIONS

- (-07) Tee Handle
- (-27) Latch Lock Handle
- (-57) Oxygen Cleaned
- 80-14x Series with 316 SS Ball & Stem

UL LISTED

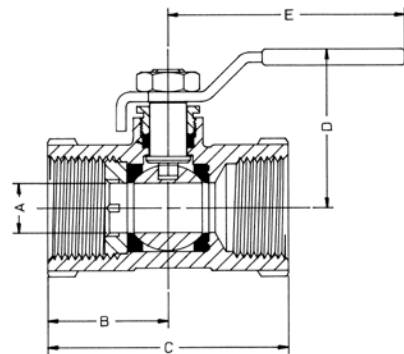
- UL 125 - Flow Control Valves for LP-Gas, Guide YSDT to 250 psi max
- UL 842 - Valves for Flammable Fluids, Guides YRBX, YRPV, and MHKZ to 250 psi max.
- UL 1477 - Compressed Gas Shutoff Valves, Guide YQNZ to 250 psi max

DIMENSIONS

PART NUMBER	SIZE (IN.)	DIMENSIONS (IN.)				
		A	B	C	D	E
80-101-01	1/4	0.37	1.03	2.06	1.75	3.87
80-102-01	3/8	0.37	1.03	2.06	1.75	3.87
80-103-01	1/2	0.50	1.12	2.25	1.81	3.87
80-104-01	3/4	0.68	1.50	3.00	2.12	4.87
80-105-01	1	0.87	1.68	3.37	2.25	4.87
80-106-01	1-1/4	1.00	2.00	4.00	2.62	5.50
80-107-01	1-1/2	1.25	2.18	4.37	2.87	5.50
80-108-01	2	1.50	2.34	4.68	3.06	5.50
80-109-01	2-1/2	2.50	3.25	6.50	4.12	8.00
80-100-01	3	2.50	3.37	6.75	4.12	8.00

90-A SERIES

UL LISTED UNIBODY BRONZE THREADED BALL VALVE



A compact 400 psig CWP valve that's UL listed for fuel, inert gases and flammable liquids. Features ASTM grade DZR bronze body, RPTFE seats and seals.

FEATURES

- Blowout-Proof Stem Design
- One Piece Bronze Body
- Reduced Port
- **Proudly Made in USA**

OPTIONS

- 90-14x with 316 SS Ball & Stem
- (-02) Static Grounded
- (-04) 2-1/4" Stem Extension
- (-05) Plain Ball
- (-07) Steel Tee Handle
- (-15) Steel Wheel Handle
- (-27) Latch Lock Handle
- (-57) Oxygen Cleaned

UL LISTED

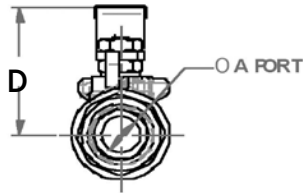
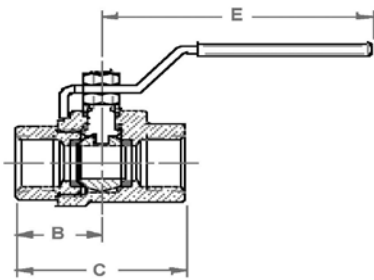
- UL 842 - Valves for Flammable Fluids, Guides YRBX, YRPV, and MHKZ to 250 psi max.
- UL 1477 - Compressed Gas Shutoff Valves, Guide YQNZ to 250 psi max

DIMENSIONS

PART NUMBER	SIZE (IN.)	DIMENSIONS (IN.)				
		A	B	C	D	E
90-103-01A	1/2	0.37	1.14	2.15	1.68	3.87
90-104-01A	3/4	0.50	1.36	2.61	1.75	3.87
90-105-01A	1	0.62	1.50	2.90	2.00	4.87
90-106-01A	1-1/4	0.81	1.81	3.50	2.18	4.87
90-107-01A	1-1/2	1.00	2.06	3.79	2.62	5.50
90-108-01A	2	1.25	2.43	4.42	2.81	5.50

77G-UL SERIES

FULL PORT CSA/UL BRONZE GAS SHUT-OFF VALVE



UL and CSA listed fuel shut off valve that features a durable bronze body, premium "multi-fill" MPTFE seats and stem packing, and a "solid ball" design that delivers true full port flow performance.

FEATURES

- Blowout-Proof Stem Design
- ASTM B584 Bronze
- Maximum Body Pressure: 600 psig CWP
- MSS SP-110 Ball Valves
- **Proudly Made in USA**

CSA LISTED

- CSA Rating: 125 psig
- CSA Rating: -20°F to 150°F
- CSA to ASME B16.33, 125
- CGA 3.16-M88, 125

UL LISTED

- UL 125 - Flow Control Valves for LP-Gas, Guide YSDT to 250 psi max
- UL 258 - Fire Protection Trim & Drain, Guide VQGU to 175psi max
- UL 842 - Valves for Flammable Fluids, Guides YRBX, YRPV, and MHKZ to 250 psi max.
- UL 1477 - Compressed Gas Shutoff Valves, Guide YQNZ to 250 psi max

DIMENSIONS

PART NUMBER	SIZE (IN.)	DIMENSIONS (IN.)					WT. (LB.)
		A	B	C	D	E	
77G-103-UL	1/2	0.50	1.19	2.35	1.80	3.74	0.68
77G-104-UL	3/4	0.75	1.42	2.74	1.98	4.78	1.26
77G-105-UL	1	1.00	1.64	3.18	2.18	4.78	2.08

GB-10 SERIES

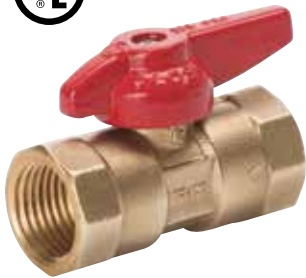
CSA GAS SHUT-OFF VALVE - CAST BRONZE



GB-10 (51GB Series) is no longer offered.
Refer to the 77F series and GB-15 (51GF Series) for replacement options.

51GF SERIES

GAS APPLIANCE BALL VALVE



CSA LISTED

- ANSI Z21.15 (Appliance & Hose)/CGA 9.1 (1/2 psi)
- ASME B16.44 (5 psi)

UL LISTED

- UL 125 - Flow Control Valves for LP-Gas, Guide YSDT to 250 psi max
- UL 842 - Valves for Flammable Fluids, Guides YRBX, YRPV, and MHKZ to 250 psi max.

DIMENSIONS

PART NUMBER	SIZE & END CONNECTION (IN.)
51GF301A	1/2 FNPT x 1/2 FNPT
51GF401A	3/4 FNPT x 3/4 FNPT

50GB SERIES CSA GAS SHUT-OFF VALVE



50GB



50GB-A

Designed for "main burner" applications with cast-in single or dual pilot tap. ASTM B584 bronze body, chrome-plated ball, brass stem, retainer and gland screws for corrosion resistance. Single or double side taps for pilot light or pressure gauge connections.

FEATURES

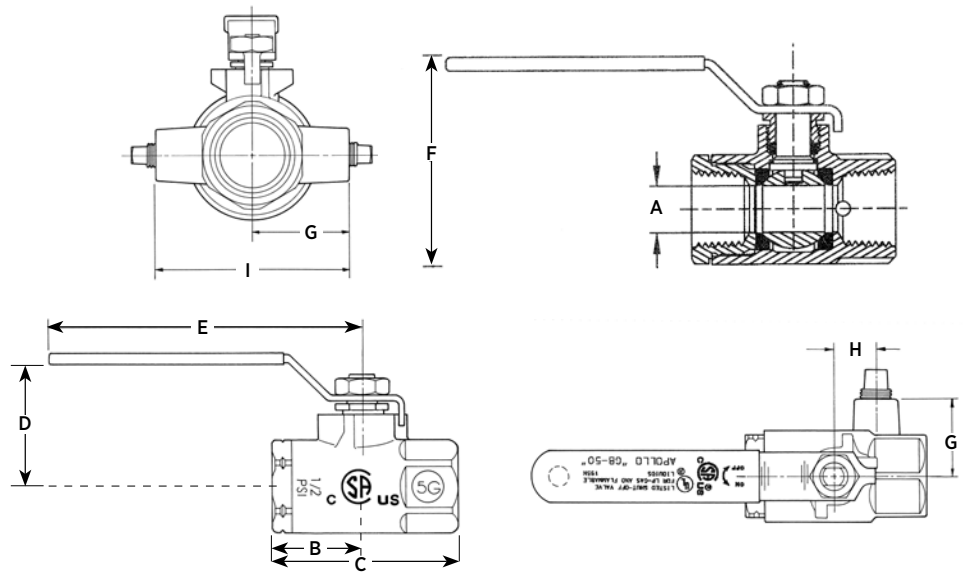
- For Natural Gas, Manufactured and Mixed Gas, Liquefied Petroleum Gases and LP Gas-Air Mixtures
- Rated Pressures of 1/2 and 5 psig
- Standard Connection is FNPT x FNPT
- Pilot taps are supplied tapped & plugged
- High BTU Capacity
- Reversible Plated Steel Lever Handle
- (-07) Tee Handle Optional
- MSS SP-110
- **Proudly Made in USA**

CSA LISTED

- ANSI Z21.15, CGA9.1
- ASME B16.44 (2 and 5 psig)

UL LISTED

- UL 125 - Flow Control Valves for LP-Gas, Guide YSDT to 250 psi max
- UL 842 - Valves for Flammable Fluids, Guides YRBX, YRPV, and MHKZ to 250 psi max.



DIMENSIONS

MODEL NO. SINGLE TAPPED	MODEL NO. DUAL TAPPED	SIZE (IN.)	TAPPING	DIMENSIONS (IN.)									CAPACITY BTU/HR.
				A	B	C	D	E	F	G	H	I	
50GB-301	--	1/2	1/8	0.50	1.11	2.25	1.68	3.85	2.27	1.00	0.53	-	693,000
	50GB-401A	3/4	1/8	0.75	1.26	2.67	1.93	3.85	2.72	1.12	0.75	2.24	1,258,000
	50GB-501A	1	1/8	1.00	1.65	3.42	2.19	4.78	3.18	1.53	0.94	3.06	3,144,000
	50GB-601A	1-1/4	1/8	1.25	1.87	3.86	2.37	4.78	3.56	1.62	1.15	3.24	6,441,000
	50GB-701A	1-1/2	1/8	1.50	2.05	4.22	2.81	5.40	4.21	1.81	1.31	3.62	7,745,000
	50GB-801A	2	1/8	2.00	2.48	5.02	3.18	5.40	4.93	2.18	1.68	4.36	14,741,000
	50GB-5A1A	1	1/4	1.00	1.65	3.42	2.19	4.78	3.18	1.53	0.94	3.06	3,144,000
	50GB-6A1A	1-1/4	1/4	1.25	1.87	3.86	2.37	4.78	3.56	1.62	1.15	3.24	6,441,000
	50GB-7A1A	1-1/2	1/4	1.50	2.05	4.22	2.81	5.40	4.21	1.81	1.31	3.62	7,745,000
	50GB-8A1A	2	1/4	2.00	2.48	5.02	3.18	5.40	4.93	2.18	1.68	4.36	14,741,000

*Note: Capacities based on 1000 BTU/cubic feet gas at 0.64 specific gravity, at a PD. of 1" WC.

78-124/78-125 SERIES 5-PORT TANK SELECTOR

Unique ball design allows for higher flow capacities. Five port construction allows access to four tanks using only one valve.

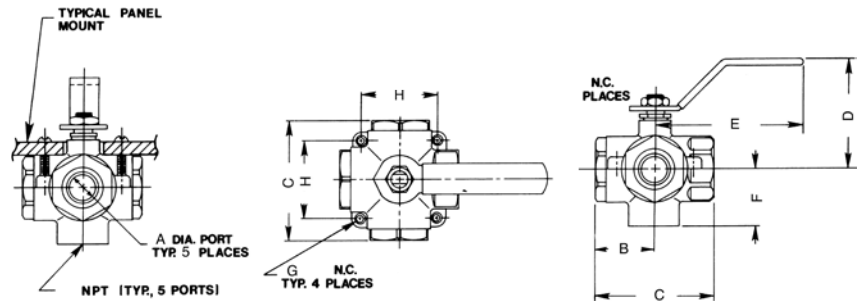


FEATURES

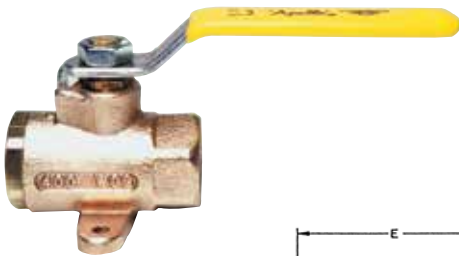
- Five NPT Connections
- Bronze Ball Valve with Stainless Steel Lever and Nut
- PTFE Seats and RPTFE Stem Packing
- Stem Packing Adjustable for Wear
- Non-Lubricated
- 50 psig Pressure Rating
- Operation: Four Selected Inlets Feed One Common Outlet
- Pointer on Handle Indicates the Selected Inlet
- Easy Mounting Design
- **Proudly Made in USA**

DIMENSIONS

PART NUMBER	SIZE (IN.)	DIMENSIONS (IN.)								WT./100 (LB.)
		A	B	C	D	E	F	G	H	
78-124-01	1/2	0.50	1.26	2.52	2.27	3.53	1.12	10-24	1.40	106
78-125-01A	3/4	0.75	1.56	3.12	2.93	3.87	1.53	1/4-20	1.98	264



78-256 SERIES MULTI PURPOSE SHUT-OFF VALVE WITH MOUNTING EARS



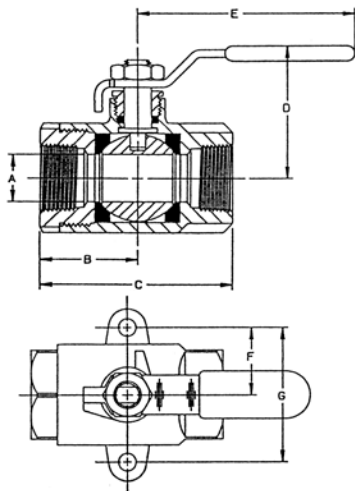
Excellent for use with liquid fuels and often specified as a fuel tank shut-off valve in marine applications. All wetted parts are brass or cast bronze. Mounting ears for easy, positive installation.

FEATURES

- Heavy Pattern DZR Bronze Body
- 400 psig CWP, Non-Shock
- Tested to 100 psig Air Under Water
- NPT Threaded, Both Ends
- RPTFE Seats and Seals
- (-07) Tee Handle Optional
- (-10) Stainless Steel Lever & Nut
- (-27) Stainless Steel Latch Lock Lever
- **Proudly Made in USA**

DIMENSIONS

PART NUMBER	SIZE (IN.)	DIMENSIONS (IN.)						
		A	B	C	D	E	F	G
78-248-01	1/4	0.43	1.12	2.25	1.78	3.87	0.93	1.87
78-250-01	3/8	0.43	1.12	2.25	1.78	3.87	0.93	1.87
78-256-01	1/2	0.50	1.12	2.25	1.78	3.87	0.93	1.87
78-438-01	3/4	0.68	1.50	3.00	2.12	4.87	1.06	2.12



77F/77FLF SERIES

FULL PORT FORGED BRASS BALL VALVE



LARGE DIAMETER

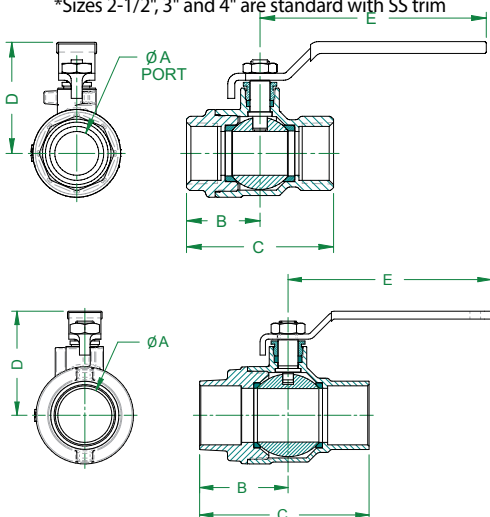


LARGE DIAMETER

OPTIONS

- (-01) Standard Lever and Trim
- (-04) 2-1/4" Stem Extension
- (-07) CS Tee Handle
- (-10) Stainless Steel Lever & Nut
- (-11) Therma-Seal™ Insulating Tee
- (-27) Stainless Steel Locking Handle
- (-50) 2-1/4" Locking Stem Extension
- 77Fx-140/240 Stainless Steel Ball & Stem*

*Sizes 2-1/2", 3" and 4" are standard with SS trim



The Apollo 77F Series is a full port forged brass ball valve suitable for a wide range of plumbing and heating applications. These NPT threaded or solder, 2-piece valves combine reliable operation with maximum economy. Valves include most pertinent agency approvals.

Proudly Made in the USA.

77F FEATURES

- Heavy Pattern Forged Design
- Full Port Flow
- Superior RPTFE Seats and Packing
- Adjustable Stem Packing
- Blowout-Proof Stem
- Corrosion Resistant Materials
- 100% Factory Tested
- Popular Lever Options and

Stainless Steel Trim Available

- Silicone Free Assembly
- Made in USA, ARRA compliant
- Rating: 600 CWP (1/4" - 2")
- Rating: 400 CWP (2-1/2" - 4")
- **Steam Rating: 150 psi SWP**
- Vacuum Service to 29 in. Hg
- Large Diameter valves come standard with stainless steel trim.

77FLF FEATURES

- Easily Identifiable White Handle
- Grip and Blue "Lead Free" Hang Tag
- EZ-Solder™ Lead Free Brass
- Lead Free DZR Brass
- NSF/ANSI/CAN 61 - Water Quality

- NSF/ANSI/CAN 372 - Lead Free
- Rating: 600 CWP (1/4" - 2")
- Rating: 400 CWP (2-1/2" - 4")
- Steam Rating: 150 psi SWP
- Vacuum Service to 29 in. Hg
- Large Diameter valves come standard with stainless steel trim.

APPROVALS

- MSS SP-110
- IAPMO/ANSI Z1157

FM LISTED

- FM 1140 (<175 PSI) (1/4" - 2")

CSA LISTED

- CGA CR91-002 (5 PSI)
- ANSI Z21.15/CSA 9.1 (1/2 PSI)
- ASME B16.44 (5 PSI)
- ASME B16.33 (125 PSI) (1/2" - 2")

UL LISTED

- UL 125 - Flow Control Valves for LP-Gas, Guide YSDT to 250 psi max
- UL 258 - Fire Protection Trim & Drain, Guide VQGU to 175psi max (1/4" - 2")
- UL 842 - Valves for Flammable Fluids, Guides YRBX, YRPV, and MHKZ to 250 psi max. (1/4" - 4" NPT only)
- UL 1477 - Compressed Gas Shutoff Valves, Guide YQNZ to 250 psi max (1/4" - 4" NPT only)

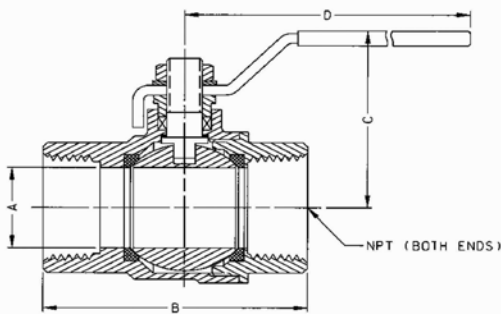
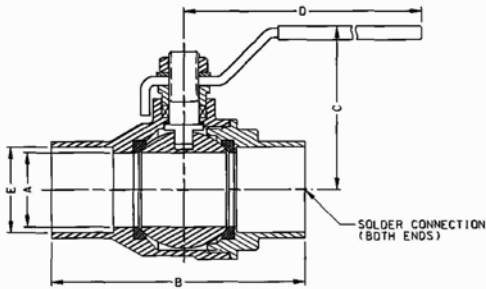
*Gas approvals apply to NPT models only

DIMENSIONS

PART NUMBER	LF PART NUMBER	SIZE (IN.)	DIMENSIONS (IN.)					WT. (LB.)
			A	B	C	D	E	
NPT								
77F-101-01	77FLF-101-01	1/4"	0.38	0.81	1.62	1.61	2.85	0.3
77F-102-01	77FLF-102-01	3/8"	0.38	0.85	1.70	1.61	2.85	0.3
77F-103-01	77FLF-103-01	1/2"	0.50	1.14	2.25	1.66	2.85	0.5
77F-104-01	77FLF-104-01	3/4"	0.75	1.29	2.57	1.91	3.86	0.8
77F-105-01	77FLF-105-01	1"	1.00	1.60	3.20	2.11	3.86	1.3
77F-106-01	77FLF-106-01	1-1/4"	1.25	1.73	3.46	2.44	4.75	2.1
77F-107-01	77FLF-107-01	1-1/2"	1.50	2.00	4.00	2.91	5.42	3.2
77F-108-01	77FLF-108-01	2"	2.00	2.37	4.74	3.69	7.77	5.6
77F-149-01	77FLF-149-01	2-1/2"	2.50	2.99	5.98	4.14	7.77	12.8
77F-140-01	77FLF-140-01	3"	3.00	3.52	7.05	5.03	9.92	19.7
77F-14A-01	77FLF-14A-01	4"	4.00	3.83	7.65	5.70	14.78	25.5
SOLDER								
77F-203-01	77FLF-203-01	1/2"	0.50	1.37	2.37	1.66	2.85	0.4
77F-204-01	77FLF-204-01	3/4"	0.75	1.72	3.13	1.91	3.86	0.9
77F-205-01	77FLF-205-01	1"	1.00	2.01	3.73	2.11	3.86	1.3
77F-206-01	77FLF-206-01	1-1/4"	1.25	2.07	3.97	2.44	4.75	2.0
77F-207-01	77FLF-207-01	1-1/2"	1.50	2.42	4.69	2.91	5.42	3.3
77F-208-01	77FLF-208-01	2"	2.00	2.91	5.82	3.69	7.77	5.6
77F-249-01	77FLF-249-01	2-1/2"	2.50	3.68	7.05	4.14	7.77	11.6
77F-240-01	77FLF-240-01	3"	3.00	4.26	8.15	5.03	9.92	19.3
77F-24A-01	77FLF-24A-01	4"	4.00	4.82	9.57	5.70	14.78	25.6

94A SERIES

ECONOMY FULL PORT BALL VALVE - APOLLO INTERNATIONAL™



NEW/EXPANDED LEVER OPTIONS CAN BE FOUND ON PAGE B-33

These full port ball valves with forged brass body are UL listed and CSA approved. Ideal for general purpose non-potable applications including air, gas, HVAC, irrigation, fire protection, etc.

FEATURES

- Adjustable Stem Packing Nut
- 600 CWP Non-Shock (1/4" - 2")
- 400 CWP Non-Shock (2-1/2" - 4")
- Temperature Range: -0°F to 400°F
- MSS SP-110 - Ball Valves
- **Stem Seal O-Ring (Solder Ver. 1/2" - 2") NEW!**
- 2-1/4" Stem Ext w/ Memory Stop Kit Option
- 100% Factory Tested
- Lead Free Option (94ALF-A)

CSA LISTED

(File # 226234) per the following standards:

- ANSI Z21.15 (1/2 psi) (CSA 9.1) (1/4" - 2")
- ASME B16.44 (5 psi) (CR91-002) (1/4" - 4")
- ASME B16.33 (125 psi) (CGA 3.16) (1/4" - 2")

FM LISTED

- FM 1140 Fire Protection Quick Opening Valves

UL LISTED

- UL 125 - Flow Control Valves for LP-Gas, Guide YSDT to 250 psi max
- UL 258 - Fire Protection Trim & Drain, Guide VQGU to 175psi max (1/4" - 2")
- UL 842 - Valves for Flammable Fluids, Guides YRBX, YRPV, and MHKZ to 250 psi max. (1/4" - 4" NPT only)
- UL 1477 - Compressed Gas Shutoff Valves, Guide YQNZ to 250 psi max (1/4" - 4" NPT only)

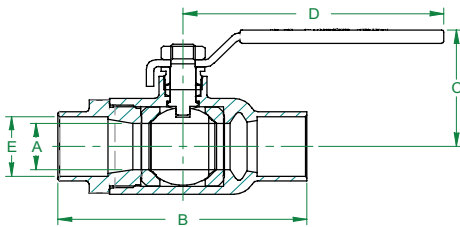
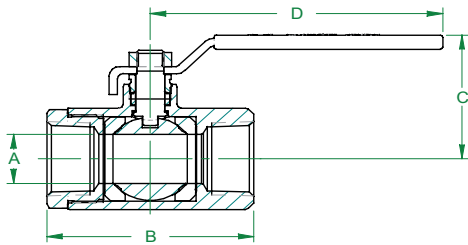
*Gas approvals apply to NPT models only

DIMENSIONS

PART NUMBER	SIZE (IN.)	DIMENSIONS (IN.)					WT. (LB.)
		A	B	C	D	E	
NPT							
94A-101-01	1/4"	0.39	1.76	1.73	3.54	-	0.3
94A-102-01	3/8"	0.39	1.76	1.73	3.54	-	0.3
94A-103-01	1/2"	0.58	2.05	2.04	3.54	-	0.4
94A-104-01	3/4"	0.75	2.36	2.26	3.78	-	0.7
94A-105-01	1"	0.95	2.76	2.58	4.53	-	1.1
94A-106-01	1-1/4"	1.26	3.31	3.05	4.53	-	1.6
94A-107-01	1-1/2"	1.58	3.66	3.37	5.51	-	2.4
94A-108-01	2"	1.97	4.18	3.70	6.30	-	3.4
94A-109-01	2-1/2"	2.52	5.38	4.65	8.66	-	7.6
94A-100-01	3"	2.95	6.04	4.97	8.66	-	9.3
94A-10A-01	4"	3.95	7.39	6.13	11.02	-	16.9
SOLDER							
94A-203-01	1/2"	0.58	2.05	1.84	3.54	0.63	0.4
94A-204-01	3/4"	0.75	2.75	2.14	3.78	0.88	0.7
94A-205-01	1"	0.95	3.31	2.45	4.53	1.13	1.1
94A-206-01	1-1/4"	1.26	3.82	3.04	4.53	1.38	1.4
94A-207-01	1-1/2"	1.58	4.43	3.17	5.51	1.63	2.2
94A-208-01	2"	1.97	5.38	3.49	6.30	2.13	3.0
94A-209-01	2-1/2"	2.52	6.28	4.66	8.66	2.63	6.4
94A-200-01	3"	2.95	7.15	4.87	8.66	3.13	8.5
94A-20A-01	4"	3.95	9.28	5.87	11.02	4.13	15.8

94ALF-A SERIES

ECONOMY FULL PORT BALL VALVE - APOLLO INTERNATIONAL™



NEW/EXPANDED LEVER OPTIONS CAN BE FOUND ON PAGE B-33

These lead free ball valves with forged DZR brass body are UL listed and CSA approved. Ideal for plumbing and heating, fuel gas, fire protection and other general purpose applications.

FEATURES

- Lead Free* Materials and Certification
- EZ-Solder™ Lead Free Brass
- Solders Like Standard Brass
- Distinctive White "Lead Free" Handle Grip and Blue "Lead Free" Hang Tag
- 2-Piece, Full-Port Design
- Blowout-Proof Stem
- Adjustable Stem Packing Nut
- Multiple Agency Approvals
- MSS SP-110 - Ball Valves
- **Stem Seal O-Ring (Solder Ver. 1/2" - 2") NEW!**
- Valve Design Rating: 600 CWP - 1/4 to 2", 400 CWP - 2-1/2" to 4"
- Temperature Range: 0°F to 366°F
- 100% Factory Tested

APPROVALS

- NSF/ANSI/CAN 61 - Water Quality
- NSF/ANSI/CAN 372 - Lead Free
- IAPMO/ANSI Z1157 Ball Valves

CSA LISTED

- (File # 226234) per the following standards:
- ANSI Z21.15 (1/2 psi) (CSA 9.1) (1/4" - 2")
 - ASME B16.44 (5 psi) (CR91-002) (1/4" - 4")
 - ASME B16.33 (125 psi) (CGA 3.16) (1/4" - 2")

FM LISTED

- FM1140 Fire Protection Quick Opening Valves

UL LISTED

- UL 125 - Flow Control Valves for LP-Gas, Guide YSDT to 250 psi max
- UL 258 - Fire Protection Trim & Drain, Guide VQGU to 175psi max (1/4" - 2")
- UL 842 - Valves for Flammable Fluids, Guides YRBX, YRPV, and MHKZ to 250 psi max. (1/4" - 4" NPT only)
- UL 1477 - Compressed Gas Shutoff Valves, Guide YQNZ to 250 psi max (1/4" - 4" NPT only)

*Gas approvals apply to NPT models only

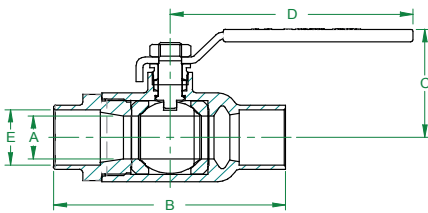
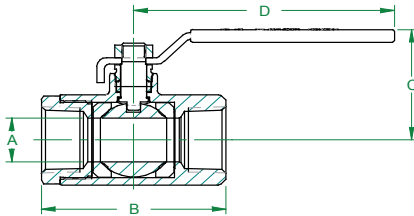
DIMENSIONS

PART NUMBER	SIZE (IN.)	DIMENSIONS (IN.)					WT. (LB.)
		A	B	C	D	E	
NPT							
94ALF-101-01A	1/4"	0.39	1.76	1.73	3.54	-	0.3
94ALF-102-01A	3/8"	0.39	1.76	1.73	3.54	-	0.3
94ALF-103-01A	1/2"	0.58	2.05	2.04	3.54	-	0.4
94ALF-104-01A	3/4"	0.75	2.36	2.26	3.78	-	0.7
94ALF-105-01A	1"	0.95	2.76	2.58	4.53	-	1.1
94ALF-106-01A	1-1/4"	1.26	3.31	3.05	4.53	-	1.6
94ALF-107-01A	1-1/2"	1.58	3.66	3.37	5.51	-	2.4
94ALF-108-01A	2"	1.97	4.18	3.70	6.30	-	3.4
94ALF-109-01A	2-1/2"	2.52	5.38	4.65	8.66	-	7.6
94ALF-100-01A	3"	2.95	6.04	4.97	8.66	-	9.3
94ALF-10A-01A	4"	3.95	7.39	6.13	11.02	-	16.9
SOLDER							
94ALF-203-01A	1/2"	0.58	2.05	1.84	3.54	0.63	0.4
94ALF-204-01A	3/4"	0.75	2.75	2.14	3.78	0.88	0.7
94ALF-205-01A	1"	0.95	3.31	2.45	4.53	1.13	1.1
94ALF-206-01A	1-1/4"	1.26	3.82	3.04	4.53	1.38	1.4
94ALF-207-01A	1-1/2"	1.58	4.43	3.17	5.51	1.63	2.2
94ALF-208-01A	2"	1.97	5.38	3.49	6.30	2.13	3.0
94ALF-209-01A	2-1/2"	2.52	6.28	4.66	8.66	2.63	6.4
94ALF-200-01A	3"	2.95	7.15	4.87	8.66	3.13	8.5
94ALF-20A-01A	4"	3.95	9.28	5.87	11.02	4.13	15.8

**94ALF-2xx-01A intended for soft solder installation using solders with melting temperature of < 500°F.

95ALF SERIES

LEAD FREE FULL PORT STOP & WASTE BALL VALVE



The Apollo International™ 95ALF Lead Free forged DZR brass ball valves combine reliable operation with maximum economy. Ideal for plumbing or hydronic systems where draining is required. Valves are certified by IAPMO and ANSI 3rd party certified lead free.

FEATURES

- Lead Free Materials and Certification
- Blowout-Proof Stem Design
- Adjustable Stem Packing Nut
- Drain Port with Finger Tight Shut-Off
- Convenient, Quarter-Turn Operation
- EZ-Solder™ Lead Free Brass Alloy
- Solders Like Standard Brass
- MSS SP-110 Ball Valves
- Valve Design Rating: 600 CWP
- Temperature Range: 32°F to 250°F
- IAPMO/ANSI Z1157 Ball Valves
- NSF/ANSI/CAN 61 - Water Quality
- NSF/ANSI/CAN 372 Lead Free

DIMENSIONS

LF PART NUMBER	SIZE (IN.)	DIMENSIONS (IN.)				
		A	B	C	D	E
NPT						
95ALF-103-01	1/2	0.59	2.24	1.78	3.74	-
95ALF-104-01	3/4	0.79	2.53	2.09	3.94	-
95ALF-105-01	1	0.98	3.15	2.36	4.33	-
SOLDER						
95ALF-203-01	1/2	0.59	2.12	1.78	3.74	0.63
95ALF-204-01	3/4	0.79	2.87	1.94	3.94	0.88
95ALF-205-01	1	0.98	3.53	2.36	4.33	1.13

**95ALF-2xx-01 intended for soft solder installation using solders with melting temperature of < 500°F.

Lever Option Kits - 94A (Yellow Grips)

SIZE	REPLACE- MENT LEVER & NUT	2-1/4" STEM EXT. W./ MEMORY STOP	TEE HANDLE & NUT	SS LEVER & NUT	LATCH LOCK LEVER & NUT
1/4" & 3/8"	W932400	78217101		W932400S	78217202
1/2"	W932500	78217201	W350312T	W932500S	78217302
3/4"	W936000	78217301	W350334T	W936000S	78217402
1"	W932600	78217401	W35031T	W932600S	78217502
1-1/4"	W932700	78217501	W3503114T	W932700S	78217602
1-1/2"	W932800	78217601		W932800S	78217702
2"					
2-1/2"	W932900	78217701		W932900S	78217802
3"					
4"	W933000	78217801			78217902

Lever Option Kits - 94ALF-A (White Grips)

SIZE	REPLACE- MENT LEVER & NUT	2-1/4" STEM EXT. W./ MEMORY STOP	TEE HANDLE & NUT	SS LEVER & NUT	LATCH LOCK LEVER & NUT
1/4" & 3/8"	W234700	78217101		W234700S	78217203
1/2"	W234800	78217201	W350312TLF	W234800S	78217303
3/4"	W234900	78217301	W350334TLF	W234900S	78217403
1"	W235000	78217401	W35031TLF	W235000S	78217503
1-1/4"	W235100	78217501	W3503114TLF	W235100S	78217603
1-1/2"	W235200	78217601		W235200S	78217703
2"					
2-1/2"	W235300	78217701		W235300S	78217804
3"					
4"	W273800	78217801			78217903

77W-A SERIES APOLLOPRESS[®] BRONZE FULL PORT BALL VALVE

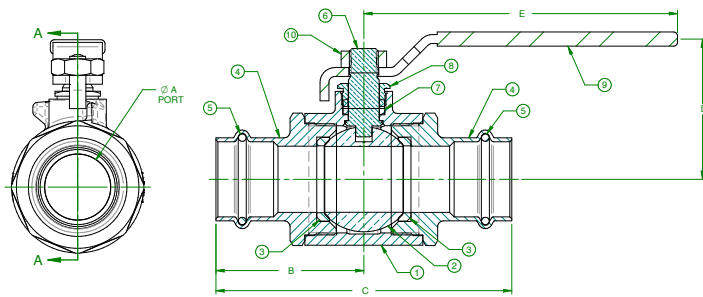


Apollo 77W-A Series APOLLOPRESS[®] ball valves install in seconds, but the valve and the connection are made to last. Ideal for mechanical and heating systems. Not for use with natural gas or potable water.

FEATURES

- New Enhanced Design
- **New Lever Options Available Including (-27) Locking Lever** **NEW!**
- Full Port
- **300 CWP, Non-Shock to 250°F max.** **NEW!**
- Leak Before Press[®] Technology
- MSS SP-110 Ball Valves

- Adjustable Stem Packing
- Excellent for Hydronic Heating (90% Glycol max)
- Popular Lever Options and Stainless Steel Trim Available
- Corrosion Resistant Materials
- IAPMO/ANSI Z1157 Ball Valves
- IAPMO PS-117 Press Connections
- **Made in the USA**



DIMENSIONS

PART NUMBER	SIZE (IN.)	DIMENSIONS (IN.)					WT. (LB.)
		A	B	C	D	E	
77W-10301-A	1/2"	0.5	1.5	3.01	1.71	3.86	0.62
77W-10401-A	3/4"	0.75	1.9	3.8	1.91	3.86	1.2
77W-10501-A	1"	1	2.25	4.49	2.13	4.76	2.04
77W-10601-A	1-1/4"	1.25	2.4	4.8	2.46	4.76	2.83
77W-10701-A	1-1/2"	1.5	2.86	5.72	2.9	5.41	4.54
77W-10801-A	2"	2	3.4	6.8	3.68	7.76	7.54

*A levers and kits are not interchangeable with the previous design. Refer to the online kit listing for details.

77WLF-A SERIES APOLLOPRESS[®] LEAD FREE BRONZE FULL PORT BALL VALVE

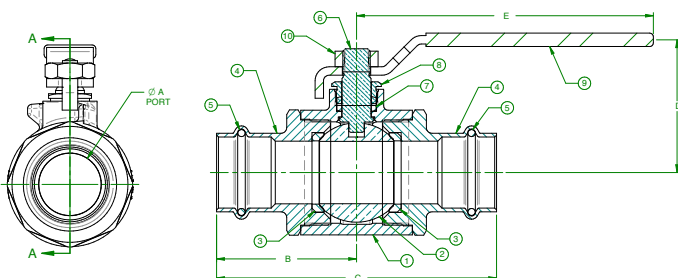


Apollo 77WLF-A Series APOLLOPRESS[®] ball valves install in seconds, but the valve and the connection are made to last. Ideal for mechanical and heating systems. Not for use with natural gas.

FEATURES

- Full Port
- Leak Before Press[®] Technology
- **300 CWP, Non-Shock to 250°F max.** **NEW!**
- MSS SP-110 Ball Valves
- NSF/ANSI/CAN 61 - Water Quality
- NSF/ANSI/CAN 372 - Lead Free
- Adjustable Stem Packing

- Excellent for Hydronic Heating (90% Glycol max)
- **Popular Lever Options and SS Trim Available Including (-27) Locking Lever** **NEW!**
- IAPMO/ANSI Z1157 Ball Valves
- IAPMO PS-117 Press Connections
- **Proudly Made in USA**



DIMENSIONS

PART NUMBER	SIZE (IN.)	DIMENSIONS (IN.)					WT. (LB.)
		A	B	C	D	E	
77WLF-103-01A	1/2"	0.50	1.50	3.01	1.71	3.86	0.62
77WLF-104-01A	3/4"	0.75	1.90	3.80	1.91	3.86	1.20
77WLF-105-01A	1"	1.00	2.25	4.49	2.13	4.76	2.04
77WLF-106-01A	1-1/4"	1.25	2.40	4.80	2.46	4.76	2.83
77WLF-107-01A	1-1/2"	1.50	2.86	5.72	2.90	5.41	4.54
77WLF-108-01A	2"	2.00	3.40	6.8	3.68	7.76	7.54

77WCLF SERIES APOLLOPRESS® COPPER PRESS END BRONZE BALL VALVE

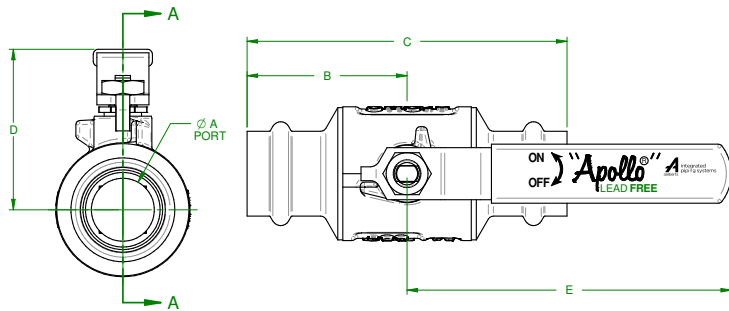


The lead free APOLLOPRESS® 77WCLF Ball Valve is ideal for installation in potable water systems requiring NSF 61 or lead free approval. Includes Leak Before Press® feature and 300 psig maximum working pressure. The 77WCLF features copper retainers for maximum protection against corrosion and dezincification.

FEATURES

- Lead Free/Corrosion Resistant Materials
- Easily Identifiable Blue Lead Free Hang Tag
- Full-Port Flow
- Adjustable Stem Packing
- Fast, Reliable, Economical Press Installation
- Leak Before Press® Technology
- 100% Factory Tested

- MSS SP-110 Ball Valves
- NSF/ANSI/CAN 61 - Water Quality
- NSF/ANSI/CAN 372 - Lead Free
- IAPMO PS-117 Press Connections
- IAPMO/ANSI/CAN Z1157
- Popular Lever Options and SS Trim Available Including (-27) Locking Lever **NEW!**
- Proudly Made in USA



DIMENSIONS

PART NUMBER	SIZE (IN.)	DIMENSIONS (IN.)					WT. (LB.)
		A	B	C	D	E	
77WCLF-103-01	1/2"	0.5	1.54	3.08	1.71	3.86	0.66
77WCLF-104-01	3/4"	0.75	1.9	3.8	1.91	3.86	1.15
77WCLF-105-01	1"	1	2.25	4.5	2.13	4.76	2.12
77WCLF-106-01	1-1/4"	1.25	2.59	5.17	2.46	4.76	3.13
77WCLF-107-01	1-1/2"	1.5	2.84	5.67	2.9	5.41	4.79
77WCLF-108-01	2"	2	3.4	6.8	3.68	7.76	8.22

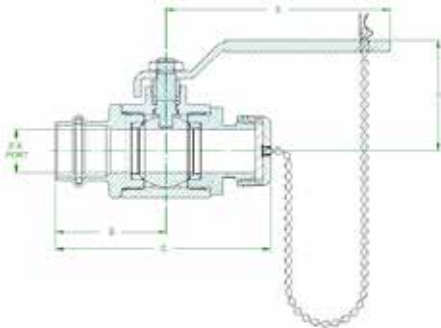
77W-HCA SERIES APOLLOPRESS® BRONZE HOSE CAP & CHAIN BALL VALVE



Designed for direct mechanical connection to ASTM B88-Type K, L, and M copper tubing in the hard drawn condition for sizes 1/2"-3/4". Valves feature a 3/4" hose thread connection with heavy brass cap to protect the threads and is full pressure rated. Not for use with natural gas.

FEATURES

- Full Port
- Leak Before Press® Technology
- MSS SP-110 Ball Valves
- NSF/ANSI/CAN 61 - (77WLF-HC)
- Adjustable Stem Packing
- Excellent for Hydronic Heating (90% Glycol max)
- Compatible with Most 77C Series Options
- Heavy Brass Dust Cover is Full Pressure Rated
- Popular Lever and Trim Options Available
- 300 CWP, Non-Shock to 250°F max. **NEW!**
- Now with Stronger Stainless Steel Ball Chain **NEW!**
- MSS SP-110 Ball Valves
- IAPMO/ANSI Z1157 Ball Valves
- IAPMO PS-117 Press Connections
- ANSI/ASME B1.20.7 Hose Thread
- Proudly Made in USA



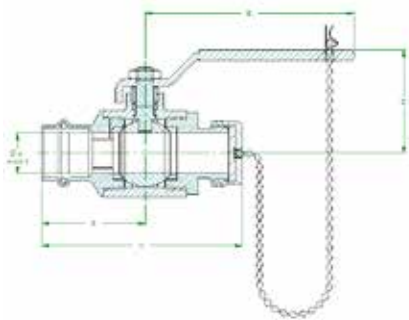
DIMENSIONS

PART NUMBER	SIZE (IN.)	DIMENSIONS (IN.)					WT. (LB.)
		A	B	C	D	E	
77WLF-103-HCA	1/2"	0.50	1.50	3.11	1.71	3.86	0.62
77WLF-104-HCA	3/4"	0.75	1.90	3.70	1.91	3.86	1.20
77W-103-HCA	1/2"	0.50	1.50	3.11	1.71	3.86	0.62
77W-104-HCA	3/4"	0.75	1.90	3.70	1.91	3.86	1.20

*-A levers and kits are not interchangeable with the previous design. Refer to the online kit listing for details.

77WCLF-HC SERIES

APOLLOPRESS® COPPER PRESS END BRONZE HOSE CAP & CHAIN BALL VALVE



Designed for direct mechanical connection to ASTM B88-Type K, L, and M copper tubing in the hard drawn condition for sizes 1/2"-3/4". Valves feature a 3/4" hose thread connection with heavy brass cap to protect the threads and is full pressure rated. Features copper retainers for maximum protection against corrosion and dezincification. Not for use with natural gas.

FEATURES

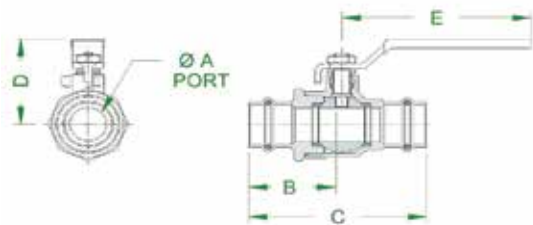
- Lead Free/Corrosion Resistant Materials
- Easily Identifiable Blue Lead Free Hang Tag
- Full Port
- Leak Before Press® Technology
- Adjustable Stem Packing
- Excellent for Hydronic Heating (50% Glycol max)
- Heavy Brass Dust Cover is Full Pressure Rated
- MSS SP-110 Ball Valves
- NSF/ANSI/CAN 61 - Water Quality
- NSF/ANSI/CAN 372 - Lead Free
- IAPMO PS-117 Press Connections
- ANSI/ASME B1.20.7 Hose Thread
- Popular Lever Options and SS Trim Available Including (-27) Locking Lever **NEW!**
- **Proudly Made in USA**

DIMENSIONS

PART NUMBER	SIZE (IN.)	DIMENSIONS (IN.)					WT. (LB.)
		A	B	C	D	E	
77WCLF103HC	1/2"	0.50	1.54	3.15	1.71	3.86	0.79
77WCLF104HC	3/4"	0.75	1.90	3.70	1.91	3.86	1.25

77V SERIES

APOLLOPRESS® BRASS BALL VALVE



The APOLLOPRESS® 77V Series two-piece press ball valve is ideal for installation in most HVAC systems. Features Leak Before Press® technology and 300 psig maximum working pressure. Proudly Made in the USA.

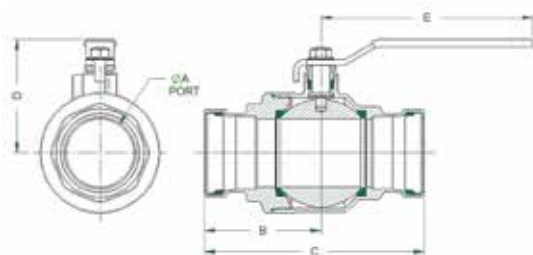
FEATURES

- 2 Piece, Heavy Pattern Forged Design
- Full Port Flow
- Max. Operating Pressure 300 psi **NEW!**
- Temperature Range: 0°F to 250°F
- Superior RPTFE Seats and Packing
- Adjustable Stem Packing
- Blowout-Proof Stem
- Corrosion Resistant Materials
- 100% Factory Tested
- MSS SP-110 Ball Valves
- IAPMO/ANSI Z1157 Ball Valves
- IAPMO PS-117 Press Connections
- Directive 2011/65/CE (RoHS)
- Popular Lever Options and SS Trim Available
- Large Diameter valves come standard with stainless steel trim.
- **Proudly Made in USA**

DIMENSIONS

PART NUMBER	SIZE (IN.)	DIMENSIONS (IN.)					WT. (LB.)
		A	B	C	D	E	
77V-103-01	1/2"	0.50	1.57	2.89	1.66	2.85	0.4
77V-104-01	3/4"	0.75	1.90	3.63	1.91	3.86	0.9
77V-105-01	1"	1.00	2.20	3.88	2.11	3.86	1.2
77V-106-01	1-1/4"	1.25	2.23	4.22	2.44	4.75	2.3
77V-107-01	1-1/2"	1.50	2.84	5.45	2.91	5.42	3.4
77V-108-01	2"	2.00	3.40	6.57	3.69	7.77	6.0
LARGE DIAMETER							
77V-149-01	2-1/2"	2.50	4.26	8.04	4.13	7.77	12.0
77V-140-01	3"	3.00	5.10	9.45	5.03	9.92	19.5
77V-14A-01	4"	4.00	5.20	10.35	5.70	14.78	26.0

LARGE DIAMETER

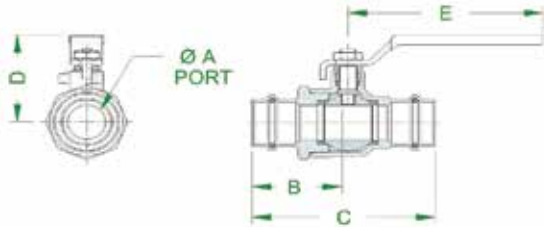


77VLF SERIES

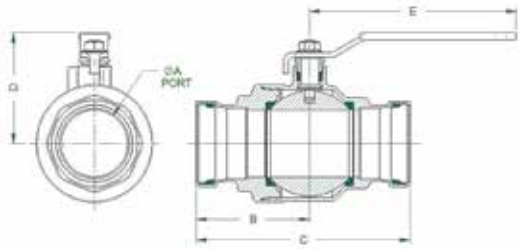
APOLLOPRESS® LEAD FREE BRASS BALL VALVE



New! Higher Pressure Rating



LARGE DIAMETER



The APOLLOPRESS® 77VLF Series lead free two-piece press ball valve is ideal for installation in most plumbing and heating systems, including potable water. Features Leak Before Press® technology and 300 psig maximum working pressure. Proudly Made in the USA.

FEATURES

- Lead Free, ANSI 3rd Party Certified
- 2 Piece, Heavy Pattern Forged Design
- Dezincification Resistant Materials
- Easily Identifiable White Handle Grip and Blue "Lead Free" Hang Tag
- Full Port Flow
- Superior RPTFE Seats and Packing **NEW!**
- Adjustable Stem Packing
- Blowout-Proof Stem
- 100% Factory Tested
- Maximum Operating Pressure: 300 psi

NEW!

- Temperature Range: 0°F to 250°F
- MSS SP-110 Ball Valves
- IAPMO/ANSI Z1157 Ball Valves
- IAPMO PS-117 Press Connections
- NSF/ANSI/CAN 61 Water Quality
- NSF/ANSI/CAN 372 Lead Free
- Directive 2011/65/CE (RoHS)
- Popular Lever Options and SS Trim Available
- Large Diameter valves come standard with stainless steel trim.
- Proudly Made in USA

OPTIONS

- (-01) Standard Lever and Trim
- (-04) 2-1/4" Stem Extension
- (-07) CS Tee Handle
- (-10) Stainless Steel Lever & Nut
- (-11) Therma-Seal™ Insulating Tee
- (-27) Stainless Steel Locking Handle
- 77V/77VLF-140 Stainless Steel Ball & Stem

*Sizes 2-1/2", 3" and 4" are standard with SS trim

DIMENSIONS

PART NUMBER	SIZE (IN.)	DIMENSIONS (IN.)					WT. (LB.)
		A	B	C	D	E	
77VLF-103-01	1/2"	0.50	1.57	2.89	1.66	2.85	0.4
77VLF-104-01	3/4"	0.75	1.90	3.63	1.91	3.86	0.9
77VLF-105-01	1"	1.00	2.20	3.88	2.11	3.86	1.2
77VLF-106-01	1-1/4"	1.25	2.23	4.22	2.44	4.75	2.3
77VLF-107-01	1-1/2"	1.50	2.84	5.45	2.91	5.42	3.4
77VLF-108-01	2"	2.00	3.40	6.57	3.69	7.77	6.0
LARGE DIAMETER							
77VLF-149-01	2-1/2"	2.50	4.26	8.04	4.13	7.77	12.0
77VLF-140-01	3"	3.00	5.10	9.45	5.03	9.92	19.5
77VLF-14A-01	4"	4.00	5.20	10.35	5.70	14.78	26.0

94VLF-A SERIES APOLLOPRESS[®] LEAD FREE BALL VALVE



The Apollo-International™ 94VLF Series lead free two-piece press ball valve is ideal for installation in most plumbing and heating systems, including potable water.

FEATURES

- Lead Free, ANSI 3rd Party Certified
- Full Port Flow
- PTFE Seats and Packing
- Adjustable Stem Packing
- Leak Before Press[®] Technology
- 304 SS ball standard 1-1/4" - 4"
- Corrosion Resistant Materials
- 100% Factory Tested
- 2 Year Warranty

PERFORMANCE RATING

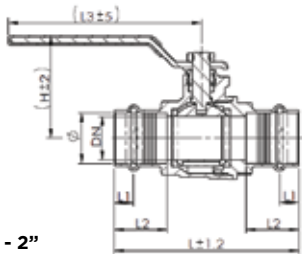
- Maximum Operating Pressure: 250 psig
- Temperature Range: 0°F to 250°F

APPROVALS

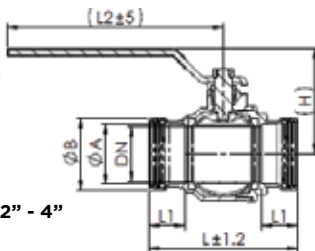
- MSS SP-110 Ball Valves
- IAPMO/ANSI Z1157 Ball Valves
- IAPMO PS-117 Press Connections
- NSF/ANSI/CAN 61 Water Quality
- NSF/ANSI/CAN 372 Lead Free

APPROVED APPLICATIONS

- Water (Including Potable Water)
- Hydronic Heating (90% Glycol max)
- Not Suitable for Flammable Gas Service
- Designed for Direct Mechanical Connection to ASTM B88-Type K, L, and M Copper Tubing in the Hard Drawn Condition
- Not Compatible with Soft Annealed Copper Tubing



1/2" - 2"



2-1/2" - 4"

DIMENSIONS

PART NUMBER	SIZE (IN.)	DIMENSIONS (IN.) (MM)									2-1/4" STEM EXT. KIT
		DN	Ø	A	B	L	L1	L2	L3	H	
94VLF-103-01A	1/2"	14.5	0.63 (16.1)	-	-	3.41 (86.6)	0.43 (11)	1.1 (28)	3.82 (97)	1.66 (42.2)	78266101
94VLF-104-01A	3/4"	19	0.86 (22.5)	-	-	3.85 (97.9)	0.43 (11)	1.18 (30)	3.82 (97)	1.92 (48.7)	78266201
94VLF-105-01A	1"	25	1.13 (28.8)	-	-	4.13 (105)	0.43 (11)	1.18 (30)	4.41 (112)	2.3 (58.5)	78266301
94VLF-106-01A	1-1/4"	32	1.39 (35.2)	-	-	4.59 (116.5)	0.43 (11)	1.18 (30)	5.2 (132)	2.73 (69.3)	78266401
94VLF-107-01A	1-1/2"	39	1.63 (41.5)	-	-	5.16 (131.1)	0.51 (13)	1.38 (35)	5.2 (132)	2.93 (74.5)	78266501
94VLF-108-01A	2"	50	2.13 (54.2)	-	-	6.00 (152.5)	0.63 (16)	1.57 (40)	6.44 (163.5)	3.46 (88)	78266601
94VLF-109-01A	2-1/2"	61.5	-	2.64 (67)	3.15 (80)	6.5 (165)	1.57 (40)	9.45 (240)	-	4.61 (117)	78266701
94VLF-100-01A	3"	73.5	-	3.13 (79.6)	3.66 (93)	7.38 (187.5)	1.77 (45)	9.45 (240)	-	4.96 (126)	78266801
94VLF-10A-01A	4"	97.5	-	4.14 (105.1)	4.69 (119)	9.21 (234)	2.13 (54)	9.45 (240)	-	5.91 (150)	78266901

* ± tolerances shown apply only to mm, not inches

94XLF SERIES PEX BALL VALVE



The Apollo International™ 94XLF Lead Free DZR forged brass ball valves combine reliable operation with maximum economy. Ideal for plumbing and heating applications including potable water. Valves are ANSI 3rd party lead free certified and listed to NSF 14, NSF 61 and NSF 372.

FEATURES

- Lead Free DZR Brass Materials
- ASTM F1807 Crimp PEX Design
- Easily Identifiable "Lead Free" White Handle Grip
- Double O-Ring Stem Seal
- Blowout-Proof Stem Design
- Silicone Free Assembly

DIMENSIONS

PART NUMBER	SIZE (IN.)	DIMENSIONS (IN.)					WT. (LB.)
		B	C	D	E	F	
94XLF-103-01	1/2	0.65	2.52	.47	3.17	1.49	.25
94XLF-104-01	3/4	0.65	2.62	.67	3.17	1.57	.41
94XLF-105-01	1	0.80	2.91	.86	3.17	1.57	.57

