

MODEL HP | HX INSTRUMENTATION SERIES

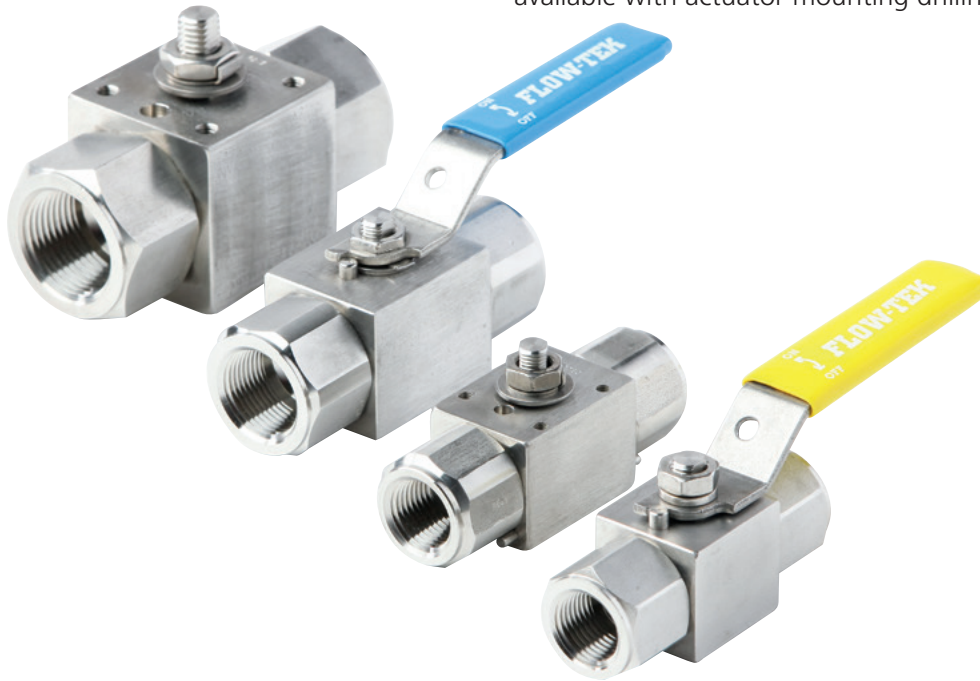
THREADED STANDARD PORT BALL VALVES

Flow-Tek's Instrumentation Series ball valves offer rugged reliability for high pressure and instrumentation applications. The valves feature three piece bodies designed for flexibility of installation and ease of maintenance. Both models HP and HX are constructed as standard with 316 stainless steel bodies manufactured to NACE specifications. Other body materials are available such as Duplex SS, Hastelloy®, Monel and Titanium. All bodies are marked with a heat code for full material traceability.

A floating ball design provides a positive, bubble tight shut off with smooth quarter turn operation at low operating torque. Additional Instrumentation Series advantages include a choice of lever or pointer handles, travel limit stop pins and replaceable seats and seals. Locking kits which secure the valve in a desired position are also available.

Safety features include an internally loaded blow-out proof stem and end connections that are pinned to prevent inadvertent loosening or disassembly.

Actuator Mounting: Model HP and HX valves are available with actuator mounting drilling as an option.

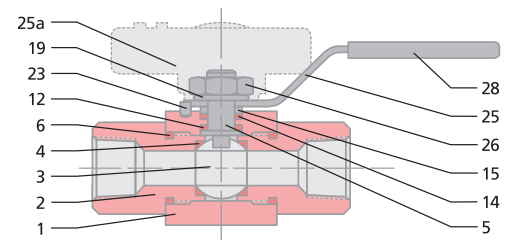
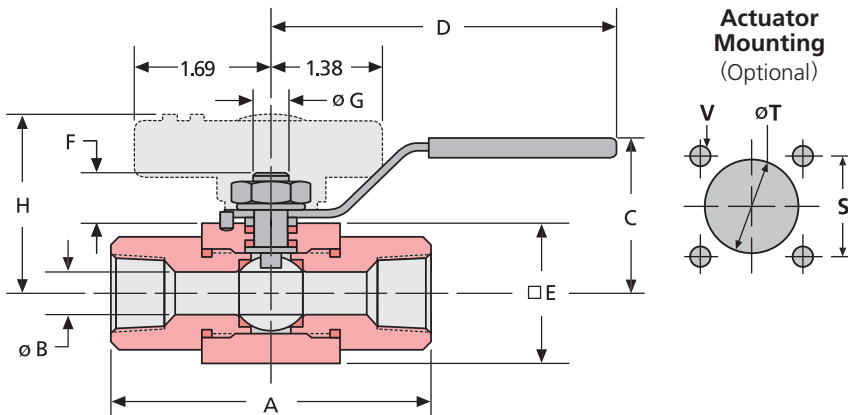


Model	Size	Pressure Rating	Temperature Range	End Connections	Body Material
HP	¼" to 1" 8 to 25 mm	6,000 psi	-40°F to +280°F -40°C to +138°C	Standard: NPT Optional: Compression Fittings	Stainless Steel
HX	¼" to ½" 8 to 15 mm	10,000 psi	-29°F to +500°F -34°C to +260°C		

Dimensions Model HP										Actuator Mounting			Cv	Torque	Weight
Size ins. mm	A	øB Port	C	D	□E	F	øG	Flats	H	S	øT	V	US GPM	lbs-ins Nm	lbs. kg
1/4 8	2.8 71	0.39 10	1.8 45	4.5 115	1.3 32	0.6 16	.38 9.5	.28 7	1.9 49	1.0 26	1.2 30	M4 x 0.2 M4 x 6	7.5	45 5.1	1 .46
3/8 10	3.0 77	0.39 10	1.8 45	4.5 115	1.3 32	0.6 16	.38 9.5	.28 7	1.9 49	1.0 26	1.2 30	M4 x 0.2 M4 x 6	7.5	45 5.1	1 .47
1/2 12.7	3.3 85	0.39 10	1.8 45	4.5 115	1.3 32	0.6 16	.38 9.5	.28 7	1.9 49	1.0 26	1.2 30	M4 x 0.2 M4 x 6	7.5	45 5.1	1.5 .68
3/4 19	3.5 90	0.50 12.7	2.0 50	4.5 115	1.5 38	0.59 15	.50 12	.36 9	2.1 52	1.0 26	1.2 30	M4 x 0.2 M4 x 6	12	75 8.5	1.9 0.85
1 25	4.4 111	0.79 20	2.4 60	6.5 165	2.0 50	1.1 27	.50 12	.36 9	—	1.6 40	1.6 40	M5 x 0.3 M5 x 8	32	180 20.3	3.43 1.56

Dimensions Model HX										Actuator Mounting			Cv	Torque	Weight
Size ins. mm	A	øB Port	C	D	□E	F	øG	Flats	H	S	øT	V	US GPM	lbs-ins Nm	lbs. kg
1/4 8	3.2 81	0.39 10	1.8 45	4.5 115	1.3 32	0.6 16	.38 9.5	.28 7	1.9 49	1.0 26	1.2 30	M4 x 0.2 M4 x 6	7.5	50 5.6	1 .46
3/8 10	3.4 87	0.39 10	1.8 45	4.5 115	1.3 32	0.59 15	.38 9.5	.28 7	1.9 49	1.0 26	1.2 30	M4 x 0.2 M4 x 6	7.5	50 5.6	1 .47
1/2 12.7	3.7 95	0.39 10	1.8 45	4.5 115	1.3 32	0.6 16	.38 9.5	.28 7	1.9 49	1.0 26	1.2 30	M4 x 0.2 M4 x 6	7.5	50 5.6	1.5 .68

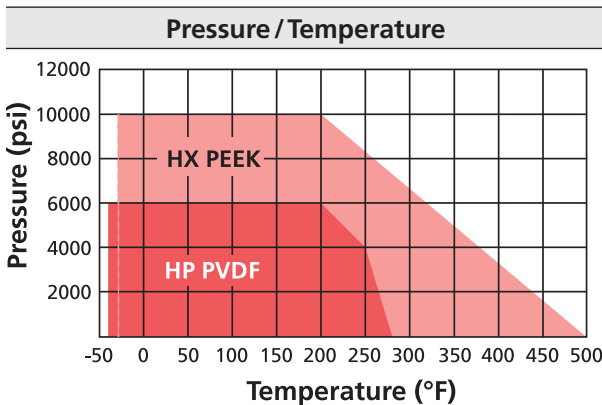
∅ Indicates round dimensions. □ Indicates square dimensions. Note: Optional actuator mounting drilling must be specified when ordering.



Components & Materials

Item	Name	Material	Qty.
1	Body	Stainless Steel 316	1
2	End Connector	Stainless Steel 316	2
3	Ball	Stainless Steel 316	1
4	Seat*	PVDF / PEEK*	2
5	Stem	Stainless Steel 316	1
6	Body Seal*	PTFE	2
12	Thrust Washer*	RPTFE / PVDF*	1
14	Stem Packing*	RPTFE	1
15	Packing Gland	Stainless Steel	1
19	Lock Washer	Stainless Steel	2
23	Stop Pin	Stainless Steel	1
25	Lever Handle	Stainless Steel	1
25a	Pointer Handle	Mazak 3	1
26	Lock Nut	Stainless Steel	1
28	Handle Sleeve	Vinyl	1

* Model HP Seat: PVDF, Thrust Washer: RPTFE
 Model HX Seat: PEEK, Thrust Washer: PVDF
 *Parts included in the repair kits.



A 3-way version of the Model HP valve is also available. Please see Flow-Tek brochure 3HP.