

# WL38

## Articulated Wheel Loaders



**WACKER  
NEUSON**  
*all it takes!*



### Articulated Wheel Loader offers Power and Performance

The extremely compact yet powerful WL 38 wheel loader is an excellent choice for any jobsite. The WL 38 is equipped with a 74-hp turbo charged Deutz Tier 4 Final diesel engine allowing the machine to achieve top speeds of 19 mph. With a standard auxiliary hydraulic flow of 18 gpm and high flow of 33 gpm, this is the perfect machine for a variety of jobs. The operator's station is ergonomically laid out for the comfort and convenience of the operator. Operating elements including a multifunctional single lever control and an additional lever for the third control circuit are conveniently arranged next to the driver's seat for easy operation.

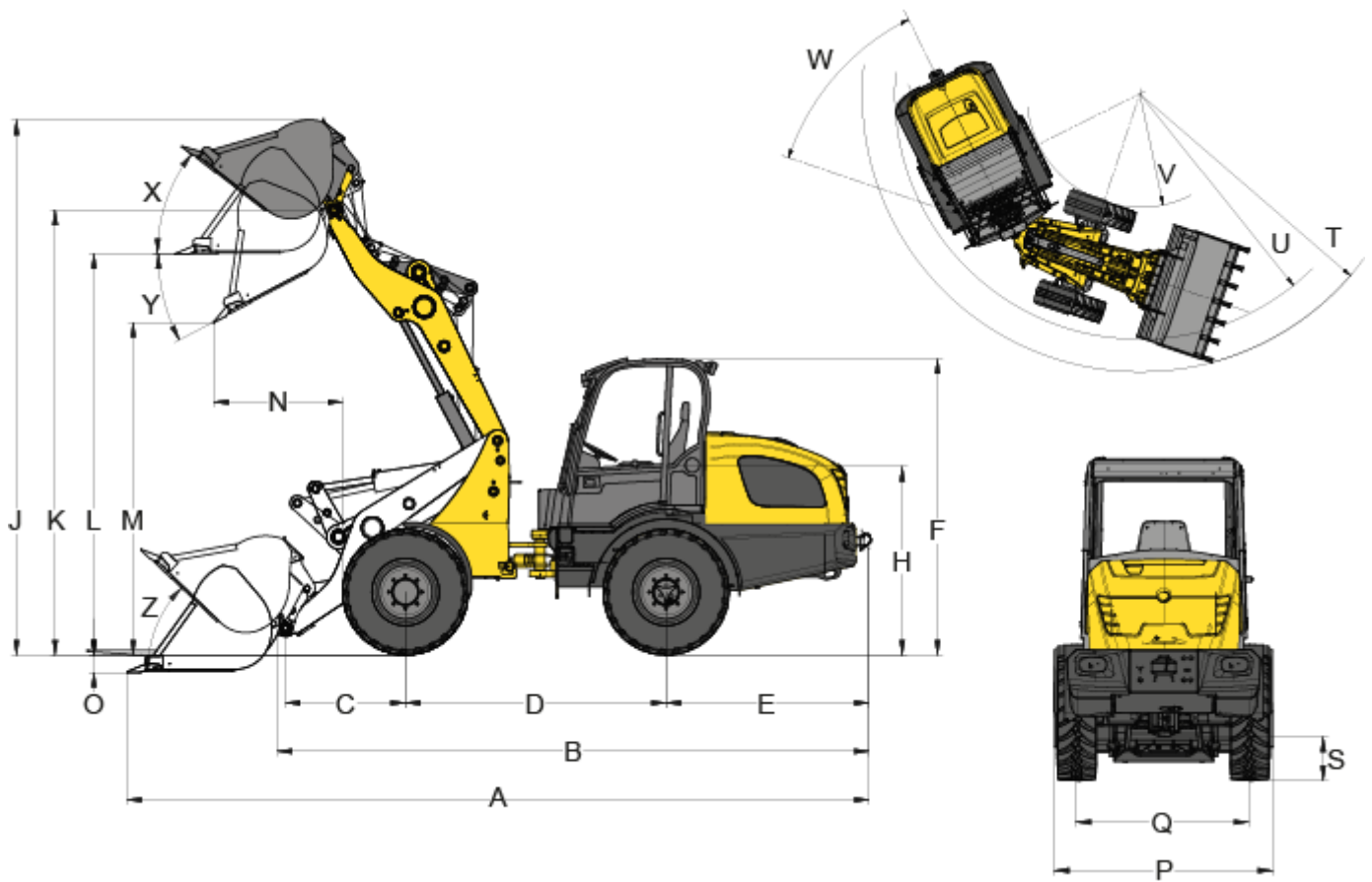
- Deutz T4F, 74-hp engine offers a maintenance-free after treatment
- Standard aux hydraulic high flow of 18 gpm and 31 gpm allows the operation of high performance attachments
- Universal hydraulic attachment plate allows flexibility for use of current and new attachments
- Faster quick connect hydraulic connector provides quick and easy changing of attachments. A 14-pin wiring harness allows the operator to control multiple attachment functions from the unit's single joystick
- Fertilizer version includes standard kinematics adapter and optional anti-corrosion coating. Fertilizer edition also is available with M-Drive that provides constant engine rpm and no inch brake to deliver maximum power, reducing cycle times and increasing operator efficiency

## WL38 Technical specifications

<b>Engine / Motor</b>		
Engine / Motor manufacturer		Deutz
Engine / Motor type		TCD 2.9 L4
Cylinder		4
Engine performance		74 hp
at rpm maximum		2,600 rpm
Displacement		135.2 in <sup>3</sup>
Coolant type		Water
<b>Electrical system</b>		
Operating voltage		12 V
Battery		95 Ah
Alternator		85 A
<b>Weights</b>		
Operating weight		9,259 lb
Lifting force maximum		4,850 lb
Breakout force maximum		9,280 lbf
<b>Vehicle data</b>		
Bucket capacity Standard bucket*		0.785 yd <sup>3</sup>
Traction drive		Hydrostatic with universal joint shaft
Axles		PA 1200
Drivers cab		Cabin
Speed (standard)		0-12.4 mph
Speed (optional)		0-17.4 mph
Speed Level		2
Standard tires		15/55-18 EM ET 0
<b>Hydraulic system</b>		
Driving hydraulics - operating pressure		6,454 psi
Operating hydraulics - operating pressure		3,046 psi
Operating hydraulics - discharge capacity		14.6 US gpm
Operating hydraulics - discharge capacity (optional up to)		30.2 US gpm
<b>Filling capacities</b>		
Tank capacity (fuel)		16.9 US gal
Hydraulic oil tank		52.8 US qt
<b>Sound level</b>		
Average sound power level LwA		99.3 dB(A)
Guaranteed sound power level LwA		101 dB(A)
Specified sound pressure level LpA		78 dB(A)

\*Standard bucket = digging bucket, width 1650 mm (65 in)

## WL38 Dimensions



	Standard tires	15/55-18 EM ET 0
A	Overall length	202.3 in
B	Overall length without bucket	168.5 in
C	Bucket pivot point to axle center	26.6 in
D	Wheelbase	80.5 in
E	Rear overhang	59.7 in
F	Height with cab	99 in
H	Seat height	47.4 in
J	Total operating height	157.8 in
K	Stroke height max. - bucket pivot point	128 in
L	Overhead loading height	113.9 in
M	Dump height max.	93.7 in
N	Range at M	6.1 in
O	Scraping depth	4.7 in
P	Overall width	61.8 in
S	Ground clearance	12.3 in
T	Radius maximum	143.8 in
U	Radius at outer edge	130.6 in
V	Inside turning radius	64.6 in
X	Bucket rollback at max. stroke height	43 °
Y	Dump angle maximum	42 °

## Z Bucket rollback at ground level

41 °

### All values with standard bucket and standard tires

Please note: that product availability can vary from country to country. It is possible that information / products may not be available in your country. More detailed information on engine power can be found in the operator's manual; the stated power may vary due to specific operating conditions. Subject to alterations and errors excepted. Applicable also to illustrations.

Copyright © 2020 Wacker Neuson SE.