







## 5 REASONS TO USE **KEYBOARD & MOUSE SUPPORT SYSTEMS**

### ADJUSTMENT

Individual height and arm length differences require a desk system that can adjust to meet the user. Keyboard & Mouse Support Systems allow users to raise, lower, push, pull and pivot the keyboard and mousing tray to meet their individual position requirements.

### ERGONOMIC POSITION

Keyboard & Mouse Support Systems enable ergonomic positioning of the keyboard and mouse in a user's "neutral reach zone." When seated, this is usually right above the user's lap. A good system encourages users to pull the keyboard tray to their lap and keep their arms bent comfortably at a 90° angle.

### INJURY PREVENTION

A keyboard and mouse placed at an uncomfortable height or angle can cause chronic pain and soreness. Keyboard & Mouse Support Systems should provide negative tilt angles that keep wrists straight to help prevent Carpel Tunnel and other pressure point injuries to the arms, wrists and hands.

### GREAT FOR STANDING, TOO

Keyboard & Mouse Support Systems provide ultimate ergonomic positioning when standing as well. Keying and mousing heights and wrist angles change significantly between sitting and standing positions, as do monitor sight lines. A height-adjustable desk alone cannot address these changes. Keyboard systems also free up valuable desktop space for other tasks and items.

### COMFORTABLE WORK = EFFICIENT WORK

Users work most efficiently when comfort and ergonomics are maximized. Work that requires precision mousing, such as many engineering and design tasks, significantly benefits from solutions that provide an adjustable mouse surface that articulates, tilts and swivels.



# HOW TO CHOOSE THE RIGHT KEYBOARD & MOUSE SYSTEM

## STEP 1:

WHAT TYPE OF DESK ARE YOU MOUNTING TO?

- **Height-adjustable with under-desk cross-beam?**
  - The Ultra-Compact KBD-UC-UC system is best (Decision made!)
- **Fixed-height?**
  - Either Mini or S2S Arms are best options
    - Proceed to Step 2 to select optimal arm

## STEP 2:

WHAT IS YOUR INTENDED USE?

- **Sitting?**
  - The Mini Arm is the way to go!
    - Proceed to Step 3 to complete your KBD-MINI- solution
- **Sitting, Standing & Perching?**
  - The S2S Arm is the way to go!
    - Proceed to Step 3 to complete your KBD-S2S- solution

## STEP 3:

WHAT TRAY BEST MEETS YOUR NEEDS?

- **Just need a basic keying and mousing surface?**
  - Select the 27F Tray
- **Want some pivot & tilt for your mouse?**
  - Select the 19T Tray with Pivot & Tilt Mouse Surface
- **Want ultimate control of your keyboard & mouse positioning?**
  - Select the 19C Keyboard Clamp with Fully-Articulating Mouse Surface

## MINI & SIT-TO-STAND KEYBOARD ARMS



### FEATURES

- No knob, lever or handle required to set height - simply lift to desired position and release
- Soft-touch wheel adjusts tilt with each turn (+10°/-20°)
- Positive tilt lock-out feature can be field installed
- Counterbalance design offsets keyboard weight during height and tilt adjustment
- Slim profile provides maximum knee clearance, whether in use or retracted for storage
- Rear swivel rotates 360° for optimal keyboard tray positioning and easy storage
- Unique design provides maximum keyboard stability
- Rugged steel construction finished in a durable black textured powder coat
- All mounting hardware and instructions included

### MINI ARM

#### SPECIFICATIONS

- Mini keyboard arm is ideal for below desk adjustment
- 8" (203 mm) total height adjustment range: +3" (76 mm) above, -5" (127 mm) below the worksurface
- 21" (533 mm) track included
- Exceeds ANSI / BIFMA X5.5 1998 industry standard

### S2S ARM

#### SPECIFICATIONS

- Sit-to-Stand keyboard arm is ideal for standing at a fixed-height desk, in combination with Chief's K1-series dynamic monitor arms
- 12.5" (317 mm) total height adjustment range: +7" (178 mm) above, -5.5" below (140 mm) the work surface
- 23" (584 mm) track included
- Exceeds ANSI / BIFMA X5.5 1998 industry standard



19C, 19T AND 27F

# KEYBOARD TRAYS



## 19C 19" KEYBOARD CLAMP

### FEATURES & SPECIFICATIONS

- 19" (483 mm) wide x 8 - 12" (203 - 305 mm) adjustable depth, with 8.75 x 9.5" (222 x 241 mm) oval mouse surface
- Fully-assembled, sure-squeeze design firmly holds keyboard in place
- Slides to clamp keyboards from 5 - 9" (127 - 229 mm) deep
- Tilt & swivel mouse surface with pad provides infinite adjustment
- Palm rest provides maximum ergonomic comfort
- Sliding mouse catcher with cord manager



## 19T 19" KEYBOARD TRAY

### FEATURES & SPECIFICATIONS

- 19.5" wide x 11.5" deep (495 x 292 mm), with 8.25" (210 mm) diameter round mouse surface
- 0.25" (6 mm) thin keyboard surface allows maximum knee clearance
- Tilt & swivel mouse surface with foam pad provides infinite adjustment
- Palm rest (removable) for maximum ergonomic comfort
- Sliding mouse catcher with cord manager
- Mouse platform mounts on right or left



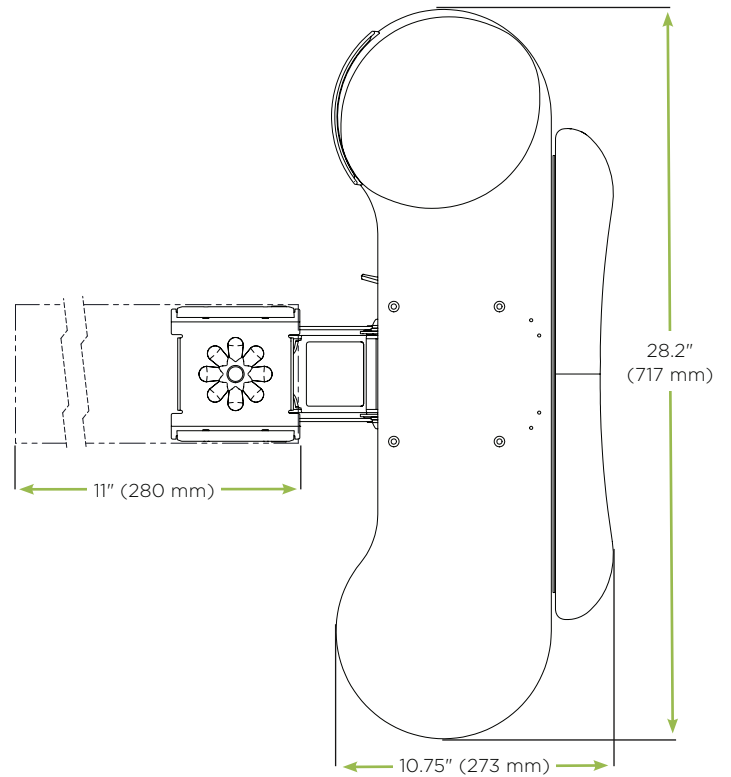
## 27F 27" KEYBOARD TRAY

### FEATURES & SPECIFICATIONS

- Large 27" (686 mm) combination keyboard & mousing surface offers plenty of space for most users
- 0.25" (6 mm) thin keyboard surface allows maximum knee clearance
- Integrated mouse surface with foam pad that easily switches from right to left
- Palm rest (removable) for maximum ergonomic comfort
- Sliding mouse catcher with cord manager

ULTRA-COMPACT

## KEYBOARD ARM & TRAY



### FEATURES & SPECIFICATIONS

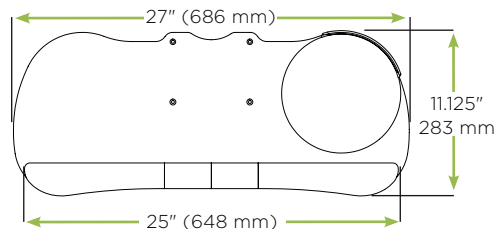
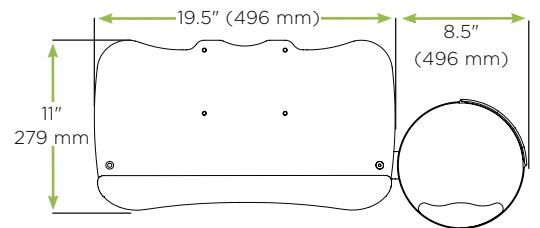
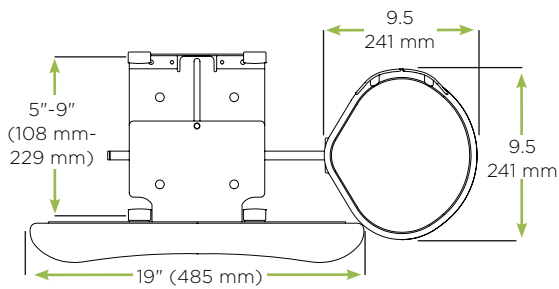
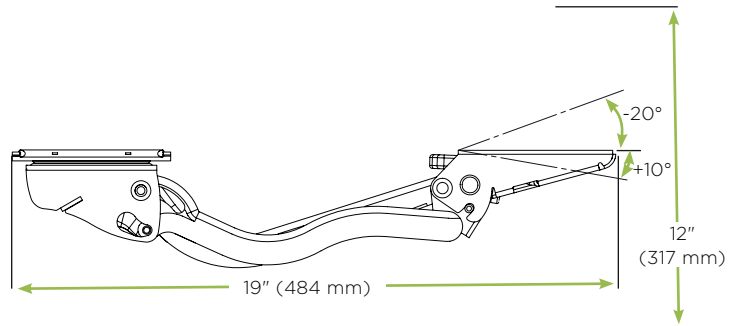
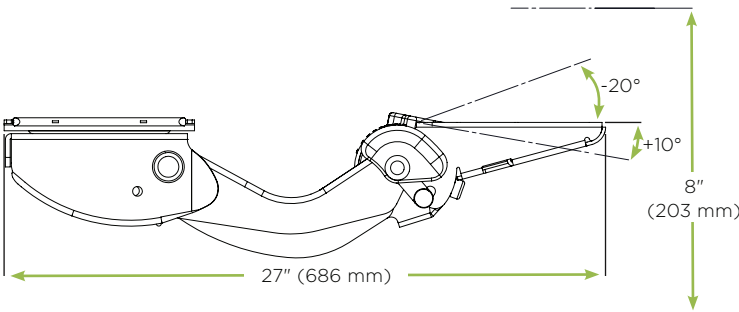
- Designed for applications requiring minimal track length and maximum retraction under desktop
- Ideal for height-adjustable desks with cross-members as little as 12" (305 mm) back from front edge of work surface
- Patented secondary slide & unique arm design provide ultra-compact footprint
- No knob, lever, or handle required to set height – simply lift to desired position and release
- 5.75" (146 mm) total height adjustment range: +1.75" (44 mm) above, -4" (102 mm) below the worksurface
- Rugged steel construction finished in a durable black powder coat
- Full retraction with 11" (279 mm) track and ultra-compact tray
- Design exceeds current ANSI / BIFMA X5.5 industry standard
- All mounting hardware and instructions included
- 28" wide x 6.75" center depth (711 x 171 mm), including 8" (203 mm) diameter mouse surfaces
- 0.25" (6 mm) thin keyboard tray allows maximum knee clearance
- Integrated mousing surface with foam pad that easily switches from right to left
- Palm rest (removable) for maximum ergonomic comfort
- Sliding mouse catcher with cord manager



# KEYBOARD & MOUSE SUPPORT SYSTEM KITS

## ORDERING OPTIONS

Model	Finish	Overall Dimensions (H x W x D)	Height Adjustment Range	Tilt Range	Tilt Dial	Track Length	Keyboard Clamp Range
KBD-MINI-27F	Black & Gray	27" W x 11.5" D (686 x 292mm), 8.12" round mouse surface	+3" above -5" below	+10°/-20°	Yes	21" (533 mm)	N/A
KBD-MINI-19T	Black & Gray	19.5" wide x 11.5" deep (495 x 292 mm), with 8.25" (210 mm) diameter round mouse surface					N/A
KBD-MINI-19C	Black	19" (483 mm) wide x 8" - 12" (203 - 305 mm) adjustable depth, with 8.75" x 9.5" (222 x 241 mm) oval mouse surface					5"-9"
KBD-S2S-27F	Black & Gray	27" wide x 11.5" deep (686 x 292 mm), 8.12" (206 mm) round mouse surface	+7" above -5.5" below	+10°/-20°	Yes	23" (584 mm)	N/A
KBD-S2S-19T	Black & Gray	19.5" wide x 11.5" deep (495 x 292 mm), with 8.25" (210 mm) diameter round mouse surface					N/A
KBD-S2S-19C	Black	19" (483 mm) wide x 8" - 12" (203 - 305 mm) adjustable depth, with 8.75" x 9.5" (222 x 241 mm) oval mouse surface					5"-9"







# KEYBOARD SUPPORT SYSTEMS



INSTALLER INSPIRED | [legrandav.com](http://legrandav.com)

<b>USA</b>	<b>P</b> 866.977.3901	<b>E</b> <a href="mailto:av.chief.support@legrand.com">av.chief.support@legrand.com</a>
<b>CANADA</b>	<b>P</b> 877.345.4329	<b>E</b> <a href="mailto:av.chief.canada@legrand.com">av.chief.canada@legrand.com</a>
<b>EMEA</b>	<b>P</b> +31 495 580 840	<b>E</b> <a href="mailto:av.emea.sales@legrand.com">av.emea.sales@legrand.com</a>
<b>APAC</b>	<b>P</b> +852 2145 4099	<b>E</b> <a href="mailto:av.asia.sales@legrand.com">av.asia.sales@legrand.com</a>

© 2019 Legrand AV Inc. 180273 Rev 1 2/19 Chief is a registered trademark of Legrand AV Inc. All other brand names or marks are used for identification purposes and are trademarks of their respective owners. All patents are protected under existing designations. Other patents pending.



**MILESTONE IS NOW LEGRAND**

**Commercial AV Brands** Chief | Da-Lite | Middle Atlantic | Projecta | Vaddio