



Peace-of-Mind for Residences and Small Businesses

ASCO Power Technologies™

ASCO SERIES 185
Generator Transfer Switches



ascopower.com

Life Is 

Schneider
Electric

ASCO SERIES 185 Generator Transfer Switches

ASCO SERIES 185 Generator Transfer Switches reliably connect power from a backup generator to your home or business whenever outages occur.

Computers, communication and information systems, security systems, cash registers, heating systems, water heaters, refrigerators and freezers, air conditioners, sump pumps, well pumps ... nearly every system in your home or business depends on electric power. Generators can restore power to vital equipment. But they can only operate when someone connects them and turns them on!


Automatic Transfer Switches start and connect generators automatically, even when no one is home or employees have left for the weekend. Whenever power outages occur, an ASCO transfer switch starts the generator, then switches your home or business from the public power supply to its backup generator. When utility power is restored, the device switches back to utility power, then turns the generator off.

An ASCO automatic transfer switch offers great convenience when your building is occupied ... and an essential service when no one is there. By automatically switching your home or business to backup power, it can:

- avoid lost business and personal data on computers
- avoid loss of heating that leads to burst pipes and water damage
- avoid loss of a sump pump that leads to flooding
- avoid loss of air conditioning from outages during hot weather
- avoid loss of perishables from lack of refrigeration

An ASCO automatic transfer switch also increases safety by preventing simultaneous connection of utility and generator power to your home or business.

Product Details

 [Transfer Switch Overview](#)



SERIES 185 Generator Transfer Switches

Why Choose an ASCO Transfer Switch?

Reliability

ASCO SERIES 185 Transfer Switches are designed to withstand demanding electrical and environmental conditions to provide many years of reliable service. Every model meets or exceeds the rigorous endurance requirements of UL 1008, the leading standard for transfer switch design and testing.


Safety

Every ASCO SERIES 185 Transfer Switch is tested to UL 1008's rigorous electrical safety requirements. If you don't see the UL "Automatic Transfer Switch" label ... you're not getting the best protection money can buy.

Trust

ASCO is the name behind most of the advances in transfer switch design, and our products serve life safety systems in the largest hospitals, vital information systems in financial data centers, and mission critical systems on offshore oil platforms, critical government agencies, and military installations. The SERIES 185 brings 100+ years of ASCO experience to your home or business.

Power Knowledge

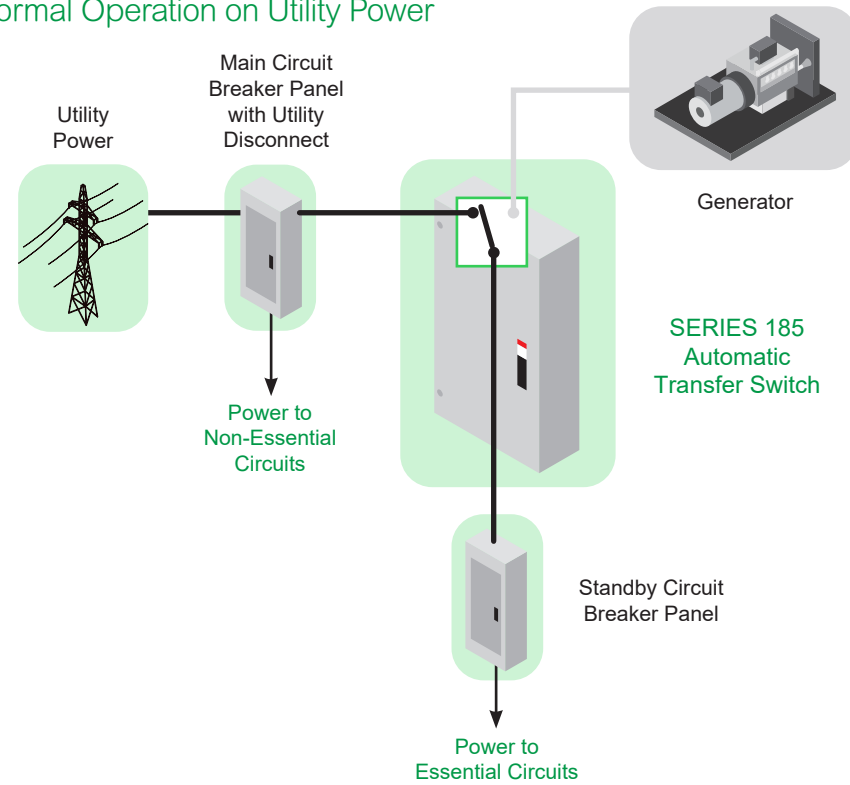
 [Three Reasons to Choose UL 1008 Transfer Switches](#)



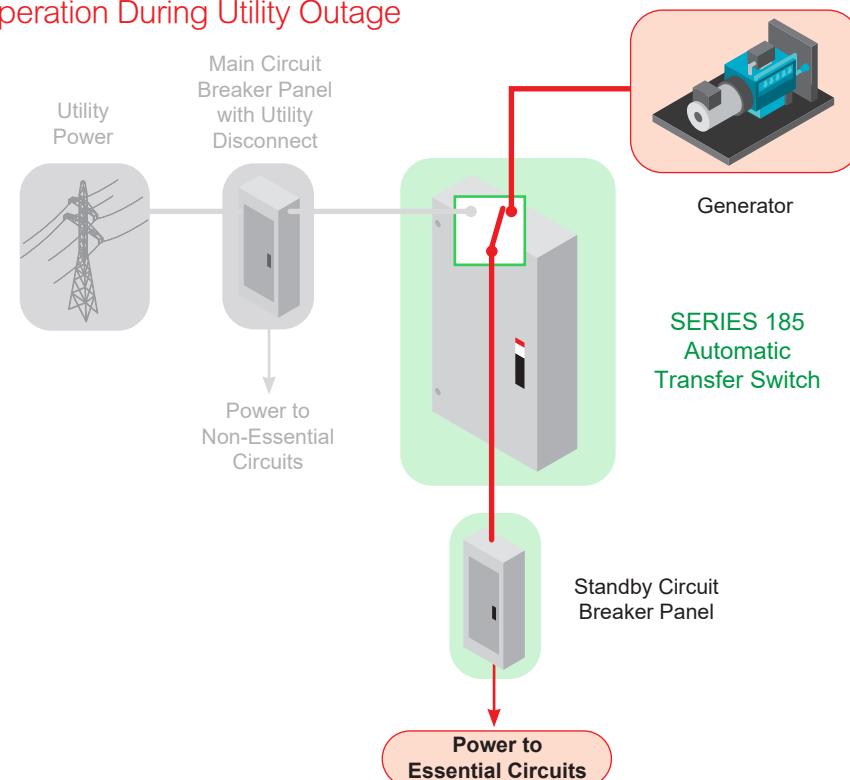
SERIES 185 Automatic Transfer Switches

In many applications, generators are sized to supply backup power to the most important circuits in your home or business. An ASCO SERIES 185 Automatic Transfer Switch transfers essential circuits to generator power automatically whenever utility outages occur. This brings backup power to essential devices such as heating, refrigeration, sump pumps, air conditioning, and security equipment.

Normal Operation on Utility Power



Operation During Utility Outage



Product Features

- User-friendly control interface informs users of transfer switch and power source status
- Listed to UL 1008 for optional standby systems
- Nominal service voltage 240V 50/60Hz, single phase, AC systems
- 100 to 400 Amp models
- 100, 200, and 400 Amp Service Entrance designs feature disconnect circuit breaker on the normal source
- True double-throw contacts with inherent mechanical interlocking prevents simultaneous connection of generator and utility sources
- Terminals for convenient connection of neutral and ground conductors
- Available in NEMA Type 1 Indoor (steel) and Type 3R Outdoor (aluminum) enclosures, with hinged doors
- Suitable for controlling standby generators with 2-wire automatic starting circuits

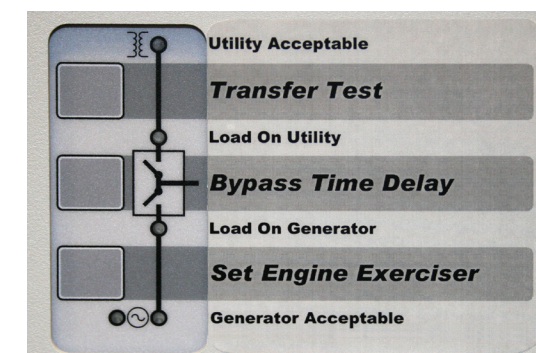
Power Knowledge

[Basic Automatic Transfer Switch Functions](#)

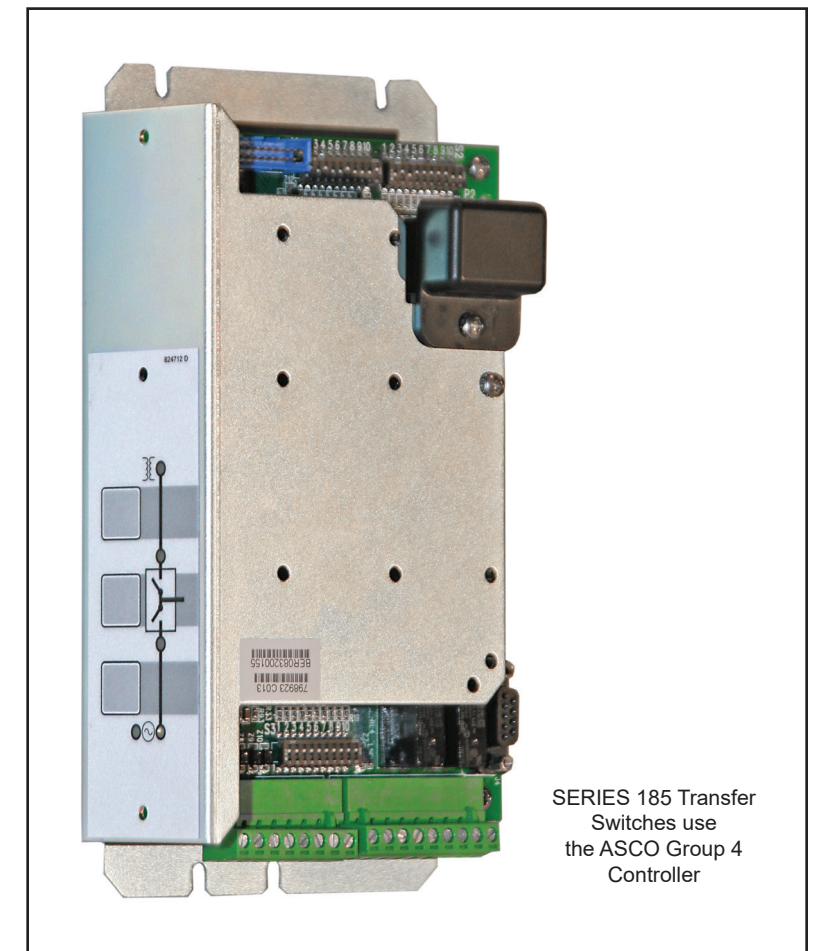
Group 4 Controller

ASCO Group 4 Controller supervises the voltage, frequency, control, timing, and connectivity functions required for most residential and small business applications.

- Engine Exerciser for Automatic Periodic Testing of Transfer Switch and Generator
- Configurable Time Delays
- Configurable Voltage Pickup Settings
- Control Buttons:
 - Transfer Test
 - Bypass Time Delay
 - Set Engine Exerciser
- User-Selectable In-Phase Monitor Feature
- Input for External Transfer Activation Control



Buttons operate transfer switch. LED indicators show switch status.

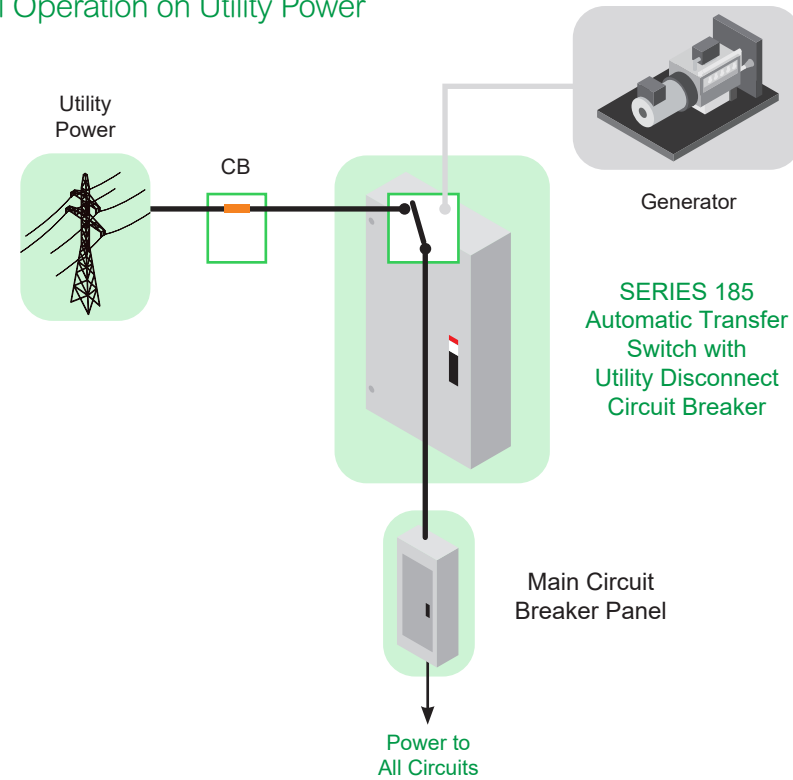


SERIES 185 Transfer Switches use the ASCO Group 4 Controller

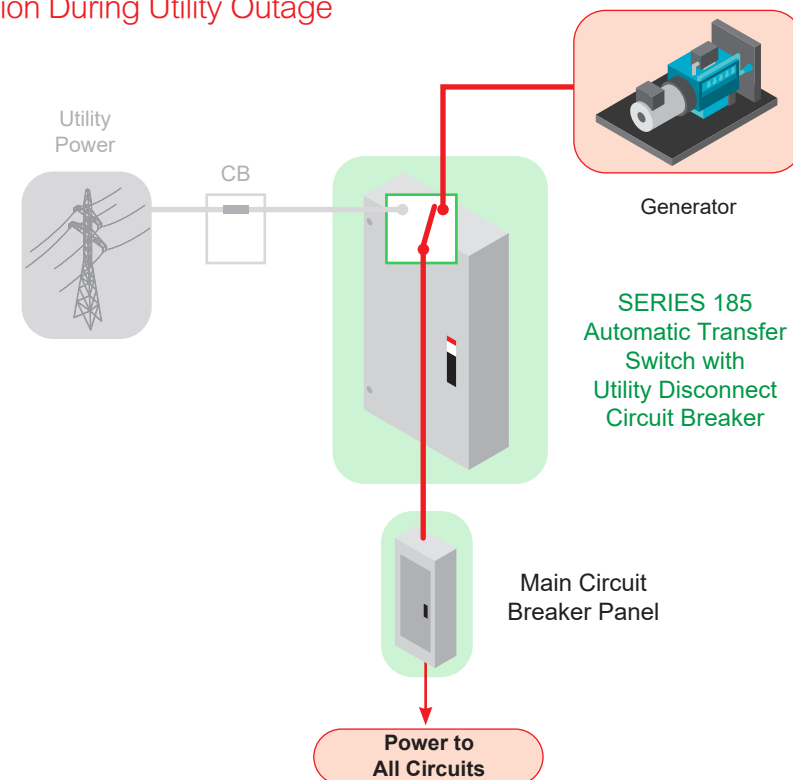
SERIES 185 Service Entrance Transfer Switches

Integrating a utility disconnect breaker into the transfer switch saves space and streamlines installation. ASCO SERIES 185 Service Entrance Transfer Switches are often used where generators are sized to power all the circuits in a home or business.

Normal Operation on Utility Power



Operation During Utility Outage



Product Features

- Suitable for use as service entrance equipment
- The ASCO SERIES 185 is listed to UL 1008 for optional standby systems, and meets all NEC requirements for service entrance equipment
- 100, 200, and 400 Amp rating
- Circuit breaker disconnection on the normal source for isolation of transfer switch and other electrical equipment
- Bonding jumper on Neutral and Ground
- Silver plated copper ground and neutral bus
- Solderless screw type terminals for External Power Connections
- Available in either UL approved Type 1 indoor (steel) enclosure or Type 3R outdoor (aluminum) enclosure
- Available with a solid neutral

Power Knowledge

[Applications for Service Entrance Automatic Transfer Switches](#)



ASCO SERIES 185 Automatic Transfer Switches bring power to your business when it is most needed.

SERIES 185 Ordering Information

AUTOMATIC TRANSFER SWITCHES									
CATALOG NUMBER	ENCLOSURE	CONSTRUCTION	AMPS	VOLTAGE	POLES	WIDTH IN(MM)	HEIGHT IN (MM)	DEPTH IN(MM)	WEIGHT LB(KG)
D00185A20100F40C	Type 1 Indoor	Steel	100	240	2	14.25(362)	24(610)	8.25(210)	44(20)
D00185A20200F40C	Type 1 Indoor	Steel	200	240	2	14.25(362)	24(610)	8.25(210)	44(20)
E00185A20400F40C	Type 1 Indoor	Steel	400	240	2	22(559)	45(1143)	7.5(191)	79(28)
D00185A20100F40M	Type 3R Outdoor	Aluminum	100	240	2	16(406)	24(610)	10(254)	49(22)
D00185A20200F40M	Type 3R Outdoor	Aluminum	200	240	2	16(406)	24(610)	10(254)	49(22)
E00185A20400F40M	Type 3R Outdoor	Aluminum	400	240	2	24(610)	48(1219)	10(254)	118(53)

SERVICE ENTRANCE AUTOMATIC TRANSFER SWITCHES									
CATALOG NUMBER	ENCLOSURE	CONSTRUCTION	AMPS	VOLTAGE	POLES	WIDTH IN(MM)	HEIGHT IN (MM)	DEPTH IN(MM)	WEIGHT LB(KG)
D01AUSA20100F40C	Type 1 Indoor	Steel	100	240	2	16(406)	36(913)	6(152)	61(28)
D01AUSA20200F40C	Type 1 Indoor	Steel	200	240	2	16(406)	36(913)	6(152)	61(28)
E01AUSA20400F40C	Type 1 Indoor	Steel	400	240	2	36(913)	47(1193)	8(203)	177(82)
D01AUSA20100F40M	Type 3R Outdoor	Aluminum	100	240	2	16(406)	36(913)	8(203)	45(21)
D01AUSA20200F40M	Type 3R Outdoor	Aluminum	200	240	2	16(406)	36(913)	8(203)	45(21)
E01AUSA20400F40M	Type 3R Outdoor	Aluminum	400	240	2	36(913)	47(1193)	8(203)	144(67)

Notes:
Type 3R enclosures provide a degree of protection against falling dirt, rain, sleet, and snow. Additional protection may be required in locations subject to wind blown conditions.



SERIES 185 Technical Information

Withstand and Closing Ratings		
SWITCH RATING (AMPS)	SHORT CIRCUIT CURRENT RATING	
	WITH FUSES	WITH CIRCUIT BREAKERS
100	200KA	10KA
200	200KA	10KA
400	200KA	35KA

Notes:
All units are RMS Symmetrical Amperes
All Withstand and Closing Rating values are tested in accordance with UL 1008. See [ASCO Publication 1128](#) for more information.
Application requirements may permit higher WCR for certain switch sizes.

External Power Connections	
SWITCH RATING (AMPS)	WIRING SIZE RANGE
100	(1) #14 to 4/0 AWG
200	(1) #14 to 4/0 AWG
400	(2) #1/0 AWG to 250 MCM or (1) #4 AWG to 600 MCM

Notes:
UL listed for 200 amps with copper conductors only. For individual dwelling units as defined in NFPA 70 (NEC), in cases where the transfer switch is between the service main disconnect and the lighting and appliance branch circuit panelboard(s), NFPA 70 allows for a reductions in size of the feeder conductors. All other NFPA 70 requirements regarding conductor ampacities must also be observed. Always install electrical equipment to the requirements defined by the authority having jurisdiction.

Power Knowledge

Applying Transfer Switch Withstand and Closing Ratings



Life Is On | **Schneider**
Electric™

ASCO Power Technologies - Global Headquarters
160 Park Avenue
Florham Park, NJ 07932
Tel: 800 800 ASCO

www.ascopower.com
customercare@ascopower.com