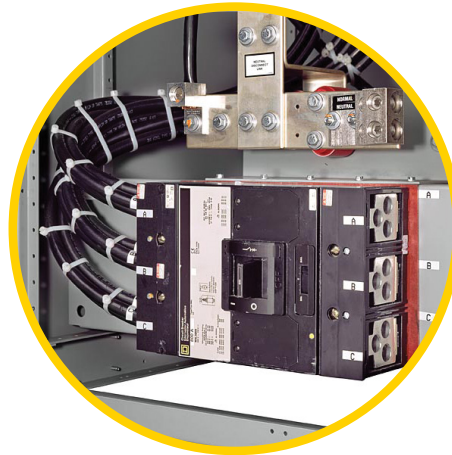


The ASCO Service Entrance Power Transfer Switch combines automatic power switching with a disconnect and overcurrent protection device for the utility source.



Service Entrance Breaker.
Ground and neutral disconnect links.

It meets all National Electric Code requirements for main utility service entrance use. Service entrance transfer switches are installed at facilities that have a single utility feed and a single emergency power source. A circuit breaker serves as the utility disconnect and links are provided to disconnect both neutral and ground connections. This product is available up to 600V and 4000 amps in Standard, Delayed, Closed Transition, and Bypass-Isolation configurations.

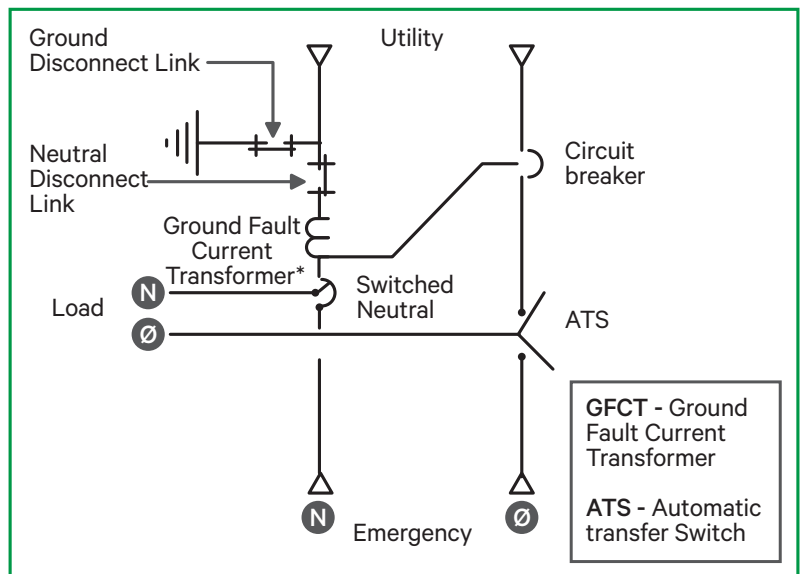
Standard Features

- Available from 70 to 4000 amps
 - 70 - 400 amp listed to UL 1008
 - 600 - 4000 amp listed to UL 891
- UL 1008 Listed transfer mechanism
- Disconnect links on Neutral and Ground
- Disconnect and overcurrent protective device on the utility source. 70 to 2000 amp models use molded case circuit breakers; 2500 to 4000 amp models use insulated case circuit breakers.
- Silver-plated copper Ground and Neutral Bus are silver-plated copper
- Solderless screw-type terminals for External Power Connection
- Internet-enabled monitoring and control
- Service Entrance Continuous Breaker Ratings: 80% for standard transfer switches below 2500 amps and Bypass Isolation Switches below 1000 amps, otherwise 100%

ASCO 7000 SERIES Service Entrance Transfer Switches


Options

- Enclosures - Secure Door Over Door/Panel
 - UL Type 3R w/strip heater & thermostat
 - UL Type 4 or 4X
 - UL Type 12
- Connections
 - Crimp lugs
 - Bus Riser on Normal, Emergency or Load
- Protective Relays/Metering
 - Accessory 135L
- Surge Suppression
 - Accessory 73, Surge protector
- Additional Breakers
 - Circuit Breaker on Emergency
 - Load Distribution Panel
- Optional High AIC Ratings on Breakers
- Technology Packages including
 - 7-inch Color Touch Display including 5210 Meter (Acc. 150AT/150BT)
 - 7-inch Color Touch Display Interface including 5410 Power Quality Meter (Acc. 150AT1/150BT1)
 - Base Package including 5210 Power Meter (Acc. 150A/150B)



Service Entrance switches provide disconnect links for ground and neutral conductors.*Ground fault trip protection provided on models of 1000 amps and above

Power Knowledge

 [Applications for Service Entrance Automatic Transfer Switches](#)