

Overview

ASCO 7000 SERIES Medium Voltage Transfer Switches provide mission-critical power continuity for healthcare facilities, data centers, telecom exchanges and industrial facilities.



Key attributes include:

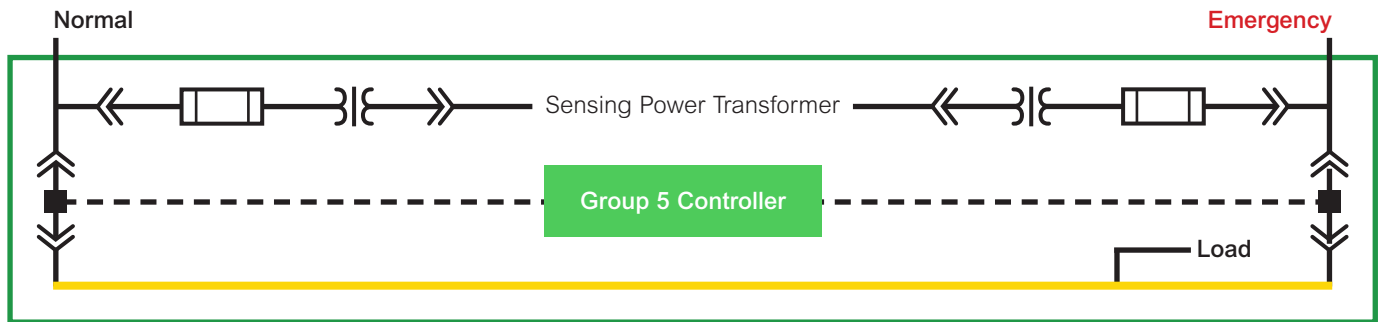
- Standard, Bypass, and Dual-Switch Configurations
- 1200 to 3000 Ampere Models for 5 kV and 15 kV Applications
- 25, 40 or 50 kA Interrupt Capacity
- Available Seismic Certification
- Listed to UL1008A - Standard for Medium Voltage Transfer Switches
- Built To ANSI/IEEE C37.20.2 Standard for Metal-Clad Switchgear

Rugged ANSI C37.20.2 Metal-Clad Design

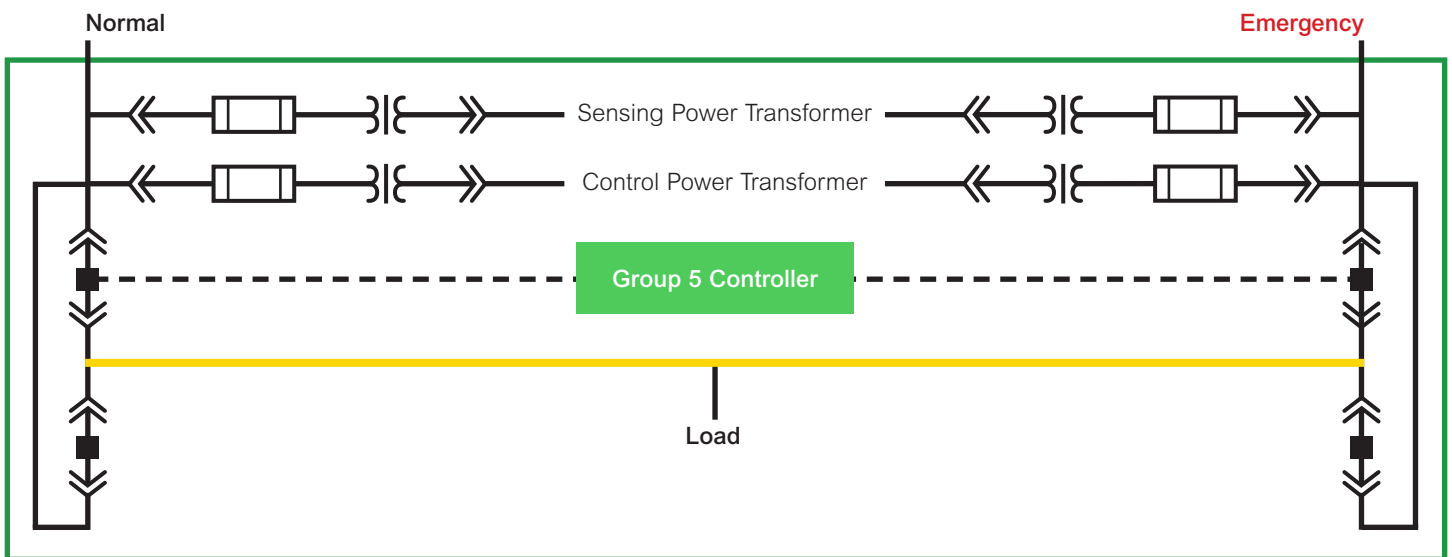
ASCO 7000 SERIES Medium Voltage Transfer Switches feature ANSI C37.20.2 metal-clad construction. Advantages include:

- Dual, electrically operated, mechanically interlocked circuit breakers offer fast reliable operation
- Draw-out mounting for main switching and interrupting devices facilitates testing and service
- Electrically operated circuit breakers offer fast operation
- Extensive compartmentation enhances fault isolation and limits contact with energized equipment
- Shutters extend to cover primary electrical elements when interrupters are withdrawn
- Insulated bus protects against shorts and shunts from incidental contact

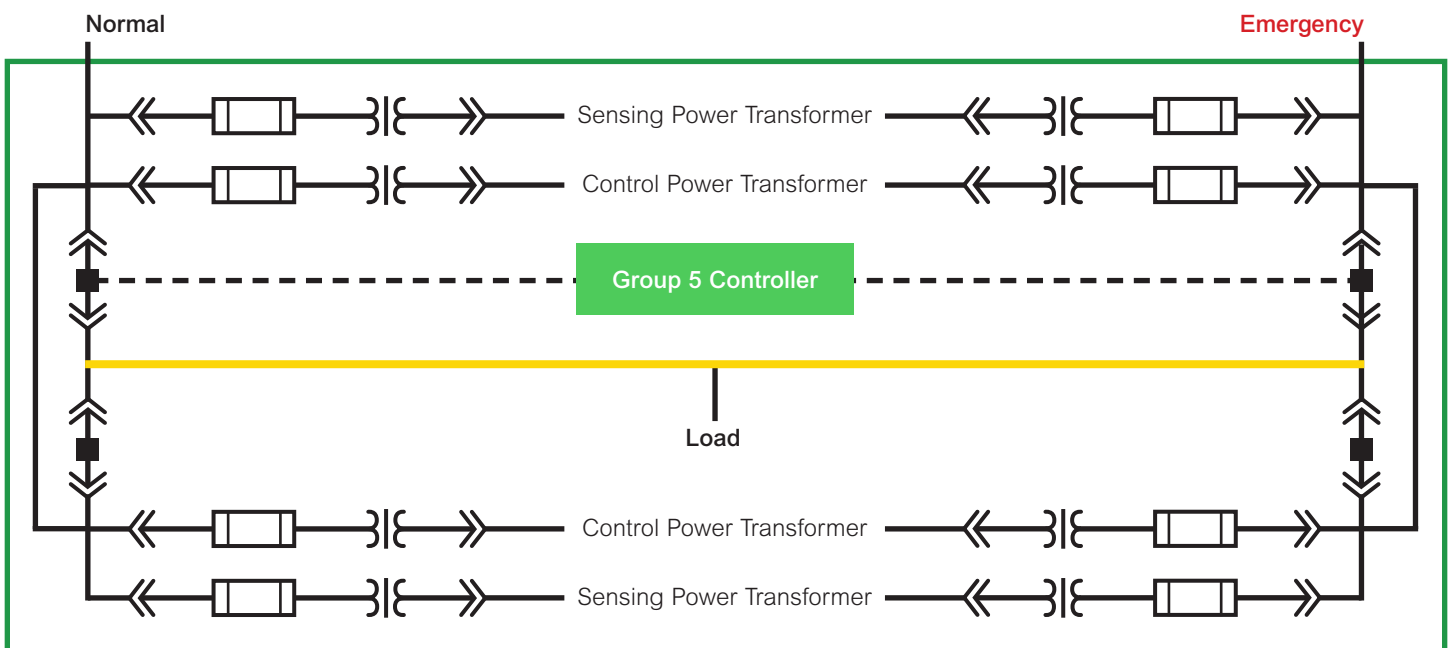
Flexible Configurations for Advanced Redundancy



A Standard Two-Breaker Transfer Switch for Transferring Loads Between Two Sources

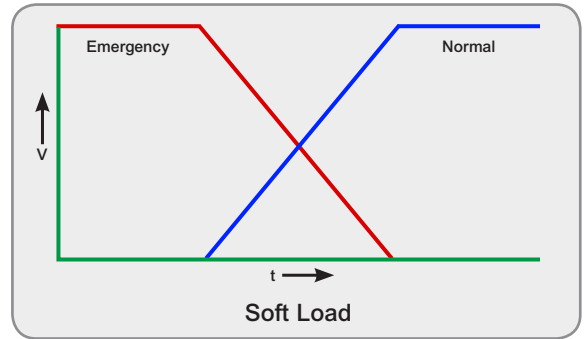
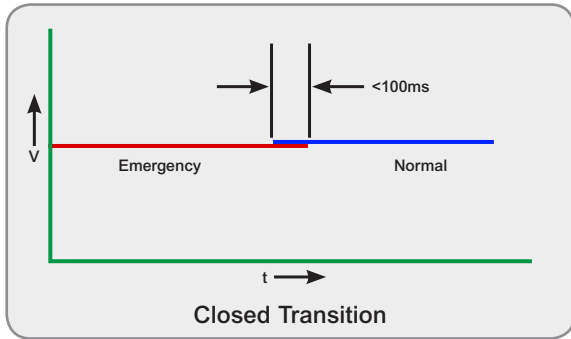
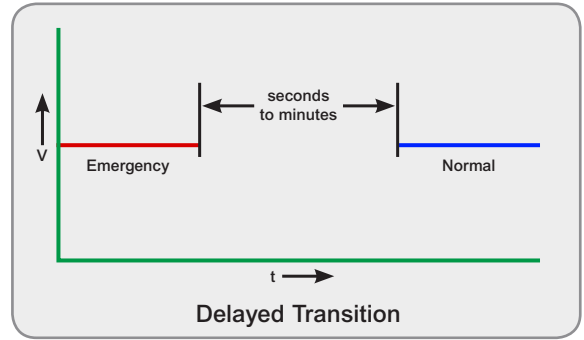
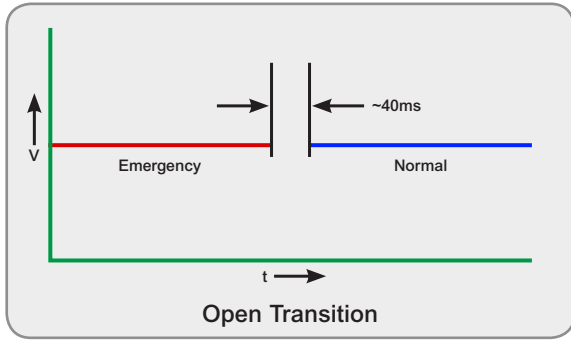


A Two-Breaker Transfer Switch with Bypass-Isolation Capability that Avoids Interruptions to Loads and Facilitates Testing and Maintenance

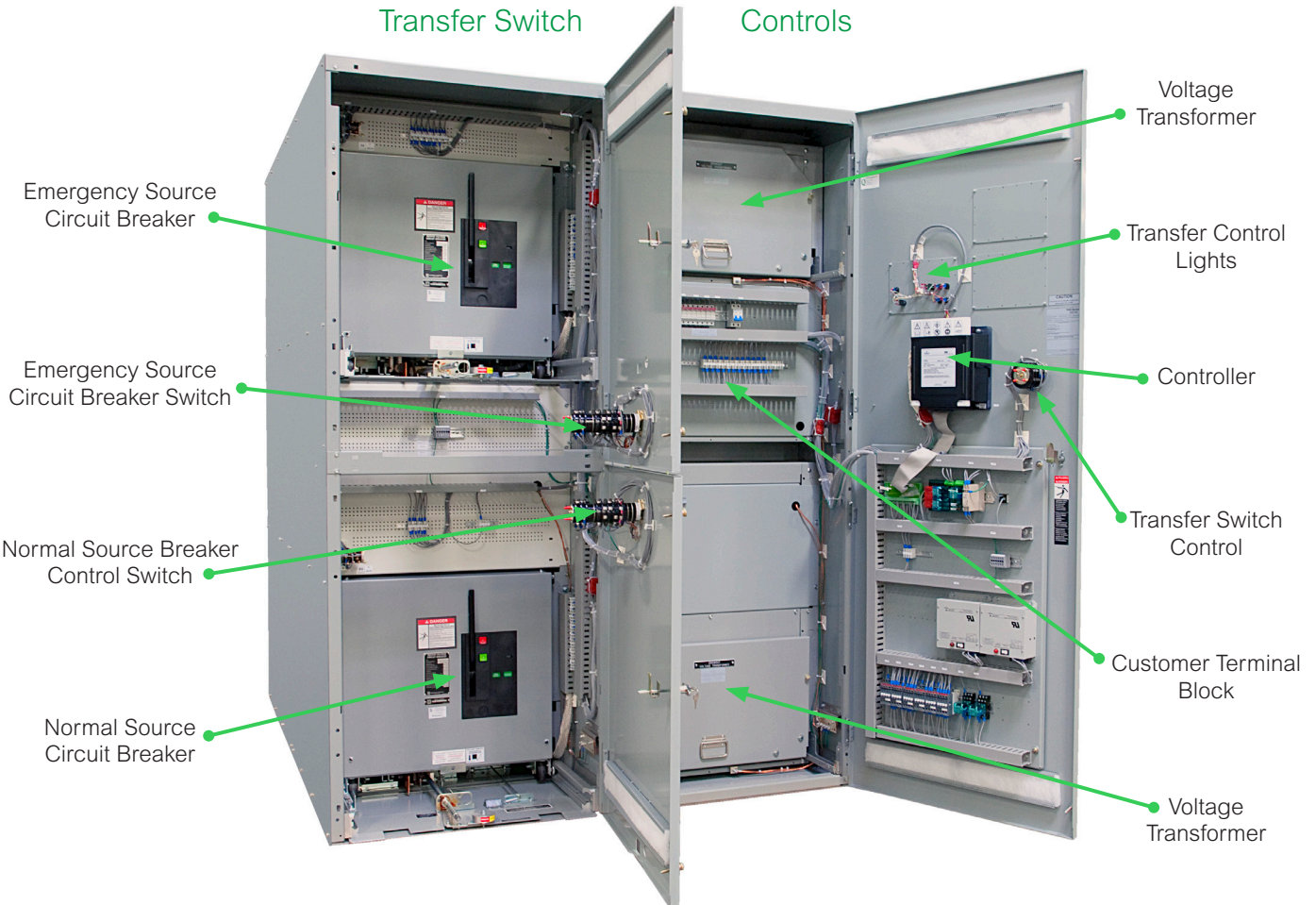


A Two-Breaker Transfer Switch that Bypasses to a Second Two-Breaker Transfer Switch, Enabling Load Transfer Between Sources Even in Bypass Mode

Four Available Transition Modes

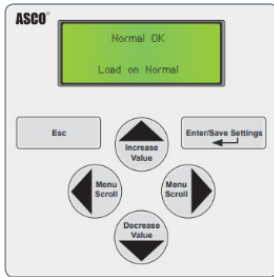


Features



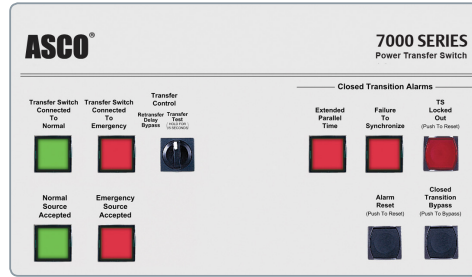
Key Components

Transfer Control Center



Group 5 Controller

- Time Delays
- Voltage and Frequency Sensing
- Status and Control Functions



ASCO Control Panel

- Status Information at a Glance

Control Switches



Mode Selector Switch

- Select between Automatic and Manual Modes
- Electrical Interlocks prevent simultaneous closure of Normal and Emergency source breakers



Breaker Control Switch

- Every circuit breaker includes a breaker control switch for manually opening and closing breakers when the system is in
- Operator can open breakers in any control mode
- Operator can only close breakers in Manual Mode

Circuit Breakers



Square D VR Vacuum Breakers

- Horizontal draw-out for service and testing
- Vacuum breakers are hermetically sealed
- Matched circuit breakers for interchangeability

Rating Summary	5 kV Class		15 kV Class	
Voltage Rating	4.76 kV		15 kV	
Service Current	1200 A	2000/3000 A	1200 A	2000/3000 A
Interrupt Current	40/50 kA		20/40/50 kA	
Min. Quantity of Sections	2 3	3 4	2 3	3 4
Breaker Type	Vacuum	Vacuum	Vacuum	Vacuum
Breaker Mounting	Draw-Out	Draw-Out	Draw-Out	Draw-Out
UL 1008A-Listed	X	X	X	X
ANSI C37.20.2 Compliant	X	X	X	X
Available Seismic Certification	X	X	X	X
Insulated Bus	X	X	X	X
Cable Barriers	X	X	X	X