

Ultrasonic Level Transmitter for General Application

8177

NPT and G thread process connection

- Two-wire version
- Reliable non-contact measurement
- HART communication



Ultrasonic level transmitters for non-contact measurement of process liquids and solids. Standard HART and 4-20 mA HART compatible output.

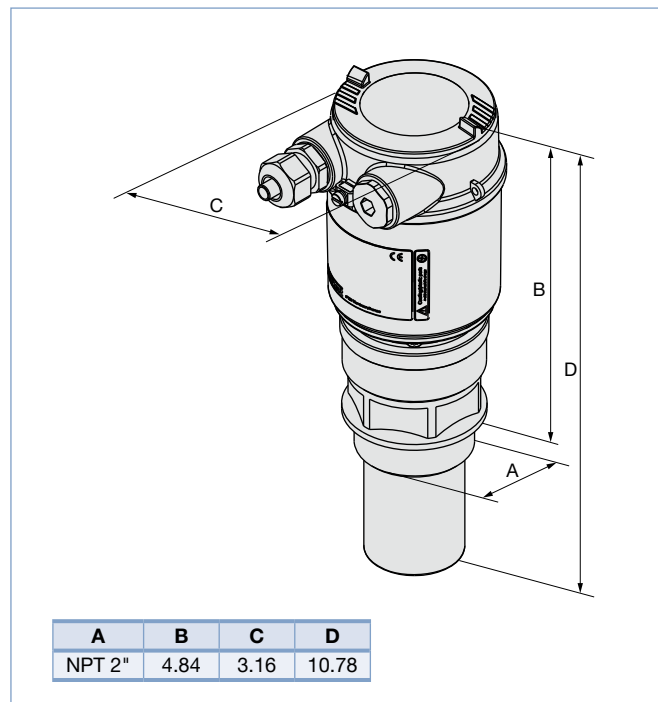
Technical Data

Housing/Cover	PBT, Stainless steel 316L / PC
Seal ring/Ground terminal	NBR / Stainless steel 316Ti/316L (1.4571/1.4435)
Seal	EPDM
Transducer	PVDF
Display	LCD in full dot matrix
Ambient temperature	-4 °F to 158 °F
Voltage supply	2-wire, 14 to 36 V DC
Current consumption Max.	22 mA
Electrical connections	Cable glands M20 x 1.5
Outputs	4-20 mA/HART
Output Load Max.	See datasheet
Beam angle	11°
Accuracy	< 0.2% or ± 4 mm
Process temperature	-40 °F to 176 °F
Temperature coefficient	0.06%/10K
Ingress protection	IP66, IP67, NEMA4X
Approvals	CSA, CE, Optional EEx ia IIC T6

Option

- Process connection clamp 2", 3", 4"

Envelope Dimensions [inch] (see datasheet for details)



Ordering Chart (versions with display)

Area of application	Process connection [inch]	Range (liquids)	Range (solids)	Electrical connection	Item no.
8177					
Standard	NPT 2"	1.3 ft - 26.2 ft	1.3 ft - 11.5 ft	M20 cable gland	559244

Note: Display/programmer (559279) not included, must be ordered separately (see accessories)

Accessories for Type 8177

Description	Item no.
Set with 2 reductions M20 x 1.5/NPT½" + 2 neoprene flat seals for cable gland + 2 screw-plugs M20 x 1.5	551782
Set with a display/configuration module, a transparent cover and a seal ring	559279
Set with a transparent cover and a seal ring	561006