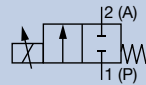


# Direct-acting 2-way standard solenoid control valve

2873

- Excellent range
- Neutral gases and liquids
- Compact valve design
- Orifice sizes 0.8 ... 6 mm
- Optional: Explosion-protected coil



CLICK ME



FOR DATA SHEET

The direct-acting solenoid control valve Type 2873 is used as the regulating unit in control loops. Due to an elastomeric seat seal the valve closes tight (integrated shut-off function), up to the DN specific nominal pressure. The plunger of the valve is assembled frictionless, which leads to an extraordinary adjustment characteristic. This valve is particularly suitable for demanding control tasks (high control range, dry gases, etc.).

## Technical Data

Setting range	1:200
Materials	Brass, Stainless Steel
Actuating time	<20 ms
Pressure range	0 – 16 bar (vacuum on request)
Operating voltage	12V, 24V DC
Medium temperature	14 °F to 194 °F (-10 °C to +90 °C) (with FKM) -22 °F to 194 °F (-30 °C to +90 °C) (with EPDM)
Degree of protection	IP65

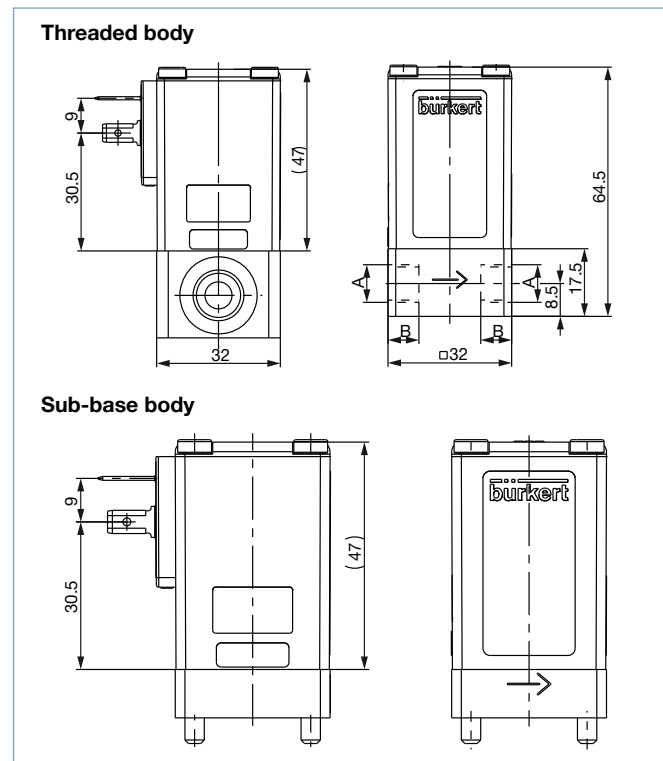
## Options

- Manifold mount
- Vacuum rating
- Flying leads
- O2 cleaning
- UL recognized
- FDA conformity
- USP Class VI
- High differential pressure
- ATEX

### Note:

- All valves with FKM seals, others available on request
- Please note that the cable plug must be ordered separately, see datasheet for Type 2518 (cable plug Type 2518, form A DIN 175301-803)
- For liquids, select version for high differential pressure (NF64)
- Type 8605 PWM controller needed with device

Dimensions [mm] (see datasheet for details)



## Ordering Chart

Orifice [mm]	Port connection	Kvs-value water [m³/h]	Nominal pressure [bar]	Maximum differential pressure [bar]	Item no.	
					Brass Body	S.S. Body
0.8	NPT 1/8	0.018	16	8	236229	236230
0.8	NPT 1/8	0.018	16	16	255643	255646
1.2	NPT 1/8	0.040	12	6	236231	236232
1.2	NPT 1/8	0.040	12	12	255654	255656
1.5	NPT 1/8	0.060	10	5	236233	236234
1.5	NPT 1/8	0.060	10	10	255658	255659
2.0	NPT 1/4	0.100	8	4	236237	236238
2.0	NPT 1/4	0.100	8	8	254369	255670
2.5	NPT 1/4	0.150	5	2.5	236239	236241
2.5	NPT 1/4	0.150	5	5	255674	255676
3.0	NPT 1/4	0.220	3.5	1.75	236242	236243
3.0	NPT 1/4	0.220	3.5	3.5	255683	255685
4.0	NPT 1/4	0.320	2	1	236244	236245
4.0	NPT 1/4	0.320	2	2	255692	255693