

Inductive conductivity meter

8228

- Configurable outputs: up to 2 transistor and up to 2 analogue 4-20 mA outputs
- Simulation of process values and diagnostic functions
- Sensor-versions available with PEEK, PVDF or PP
- Conversion tables of conductivity to concentration for selected solutions

Please see fitting S020



The analysis gauge, Type 8228, includes a detachable display module. This is used for setup, configuration and calibration or required as a process value display. For temperature calibration, a temperature sensor is included as standard.

Technical Data

Complete device data (fitting + conductivity meter)

Conductivity measurement

Measuring range	100 µS/cm...2 S/cm
Resolution	0.1 µS/cm
Measurement deviation	±(2% of the measured value + 5 µS/cm)
Linearity	±2%
Repeatability	±(0.2% of the measured value + 2 µS/cm)
Response time t90	from 3 s (without filter) to 40 s (with slow filter)

Temperature measurement

Measuring range	-40 °C to +150 °C (-40 to 302 °F)
Resolution	0.1 °C (0.18 °F)
Measuring uncertainty	±1 °C (1.8 °F)
Response time t90	< 280 s (without filter)

Temperature compensation

- none or
- according to a predefined graph (NaCl, NaOH, HNO3 or H2SO4) or
- according to a graph defined especially for your process

Approval UL-Recognized for US and Canada

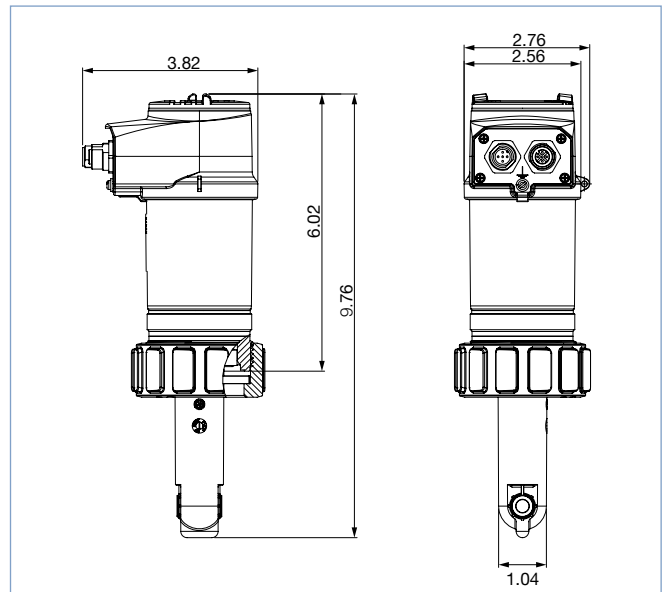
Environment

Ambient temperature -10 °C to +60°C (14 to 140 °F) (operating and storage)

Relative humidity ≤ 85%, without condensation

Height above sea level Max. 2000 m

Envelope Dimensions [inch] (see datasheet for details)



Options

- UL and CSA approvals
- Preparameterized conductivity meters
- CIP version
- Tri-clamp connection (2")
- All Plastic version for corrosive environments(MP98)
- IO-Link
- (büS)/CANopen

Ordering Chart

Specifications	Voltage supply	Output	Material		Electrical connection	Item no.	
			sensor holder	sensor seal		without display	with display
Compact conductivity meter	12...36 V DC	1 x transistor NPN/PNP + 1 x 4 to 20 mA	PP	FKM	5-pin M12 male fixed connector	565611	566611
			PVDF	FKM	5-pin M12 male fixed connector	565613	566613
			PEEK	FKM	5-pin M12 male fixed connector	565615	566615
		2 x transistor NPN/PNP + 2 x 4 to 20 mA	PP	FKM	5-pin M12 male and 5-pin M12 female fixed connectors	565612	566612
			PVDF	FKM	5-pin M12 male and 5-pin M12 female fixed connectors	565614	566614
			PEEK	FKM	5-pin M12 male and 5-pin M12 female fixed connectors	565616	566616

Note for ordering chart: For a complete conductivity unit the following items must be ordered:
 - Transmitter Type 8228 - INSERTION Fitting Type S020
 Further versions and information see datasheet type 8228.

Note:
 Display/programmer (559168) not included. Must be ordered separately.