

Blind INSERTION Magmeter

8041

For use with fitting 1/2" to 16"

- Solid state technology
- Clean in place (CIP)
- FDA approved

Please see fitting S020



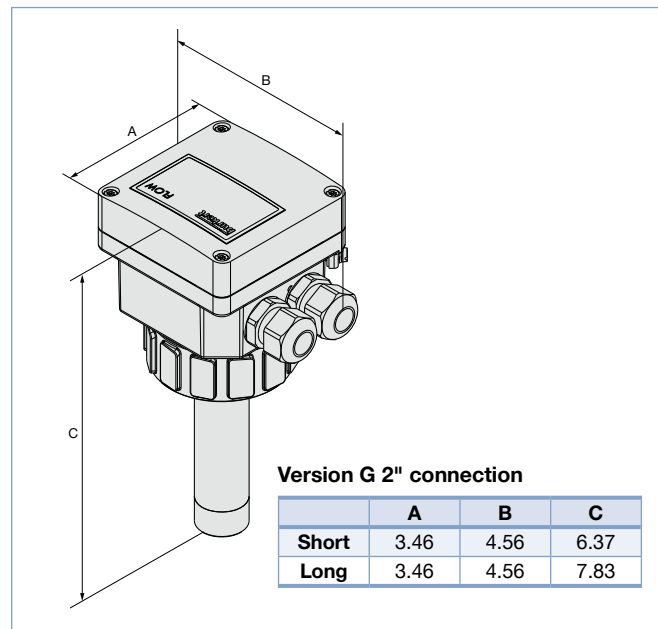
The insertion magmeter constructed from a PVDF finger and high quality blind electronic module. Perfect for contaminated or aggressive fluids it has both 4-20 mA and pulse output, with optional 3A relays, making this a flexible solution for flow control or batching.

Technical Data

Size range	1/2" - 16"
Measuring ranges	0.7 - 33 ft/s
Measuring error (teach in)	≤ ±2% o.R. (3.28-32.81 ft/s)
Measuring error (standard k-factor)	≤ ±4% o.R. (3.28-32.81 ft/s)
Linearity	≤ ±(1% o.R. + 0.1% o.FS)
Repeatability	±0.25% o.R.
Housing material	PC+20% glass fibre
Electrode material	316L SS
Mag-sensor material	PVDF or SS
O-rings	FKM
Max. fluid temperature	
PVDF sensor version	176 °F (depending on fitting)
SS sensor version	302 °F* (depending on fitting)
Ambient temperature range	14 °F to 140 °F
Max. fluid pressure	145 PSI (PVDF & SS version with S020 plastic fitting) 232 PSI (SS version with S020 metal fitting)
Fluid conductivity	> 20 µS (Micro-Siemens)
Storage temperature	-4 °F to 140 °F
Voltage supply	18-36 VDC
Current consumption Max.	≤ 220 mA
Electrical protection	Short circuit protection Reversed polarity of DC protected
Electrical connections	M20 cable glands (optional 1/2" conduit)
Outputs	4-20 mA Transistor, Max. 100mA, frequency 0...240 Hz Relay output 3 A/250 VAC
Output load	Max. 1100 Ω at 36 V Max. 330 Ω at 18 V
Ingress protection	IP65

*302 °F with SS finger and S020 metal fitting

Envelope Dimensions [inch] (see datasheet for details)



Options

- Hastelloy C Electrodes
- Tri-Clamp connection

Ordering Chart Transmitter Type 8041

Voltage supply	Output	Relay	Housing material	Seal material	Sensor version	Electrical connection	Item no.
18...36 V DC	4-20 mA, frequency	1	PC	FKM	short, PVDF	2 cable glands	558064
					long, PVDF	2 cable glands	558065
			PPA		short, stainless steel	2 cable glands	552779
					long, stainless steel	2 cable glands	552780

Note: 1 Kit 558 102, 1 relay connection kit 552 812 and 1 EPDM seal are supplied with each transmitter. | To select a complete device the following items need to be ordered: • Prod. no. of the desired flow meter for Type 8041 • Prod. no. of the Type S020 fitting, for gauges with G 2" connector, must be ordered separately