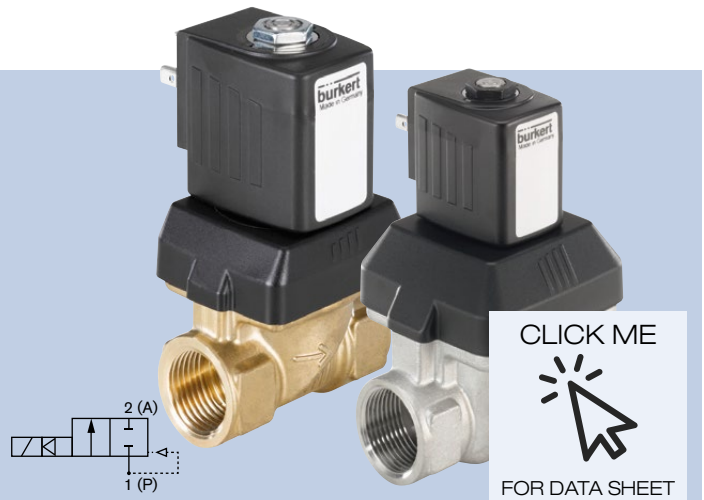


2/2-way Solenoid Valve for liquids and gases

6213 EV

- Coupled spring diaphragm system
- Waterhammer free and low noise
- Flow-optimized housing and diaphragm geometry for high flow



Type 6213 EV is a 2/2-way normally closed solenoid valve with a spring coupled diaphragm system. It is universally used for liquids. A minimum differential pressure of 1.5 PSI is required for full opening.

Technical Data

Orifice	Standard DN10-40 mm
Body material	Brass acc. to DIN EN 50930-6, stainless steel 1.4408 (316)
Inner part of valve	Brass body SS body
	Brass, stainless steel and PPS Stainless steel and PPS
Seal material	NBR, FKM, (EPDM on request)
Medium	NBR FKM EPDM
	Neutral fluids, water, hydraulic oil, oil without additives Per-solutions, hot oils with additives Oil and fat-free fluids and gases
Ambient temperature	131 °F (+55 °C), max.
Medium temperature	NBR FKM EPDM
	14 °F to 176 °F (-10 °C to +80 °C) 32 °F to 194 °F (0 °C to +90 °C) with polyamide coil 32 °F to 248 °F (0 °C to +120 °C) with epoxy coil -22 °F to 194 °F (-30 °C to +90 °C) with polyamide coil -22 °F to 212 °F (-30 °C to +100 °C) with epoxy coil
Voltages	24V/DC, 120/60, (24/60, 240/60 on request)
Voltage tolerance	±10%
Duty cycle	100% continuous rating
Electrical connection	Cable plug acc. to DIN EN 175301-803, Form A (included)
Protection class	IP65 with cable plug
Installation	As required, preferably with actuator upright
Response times¹⁾	0.1-1.5 sec. (depending on orifice and differential pressure)
Accreditations	UL Listed, UL Recognized

¹⁾ Measured at valve outlet at 87 PSI (6 bar) and 68 °F (+20 °C)
Opening: pressure build-up 0 to 90%, Closing: pressure drop 100 to 10%



Ordering Charts

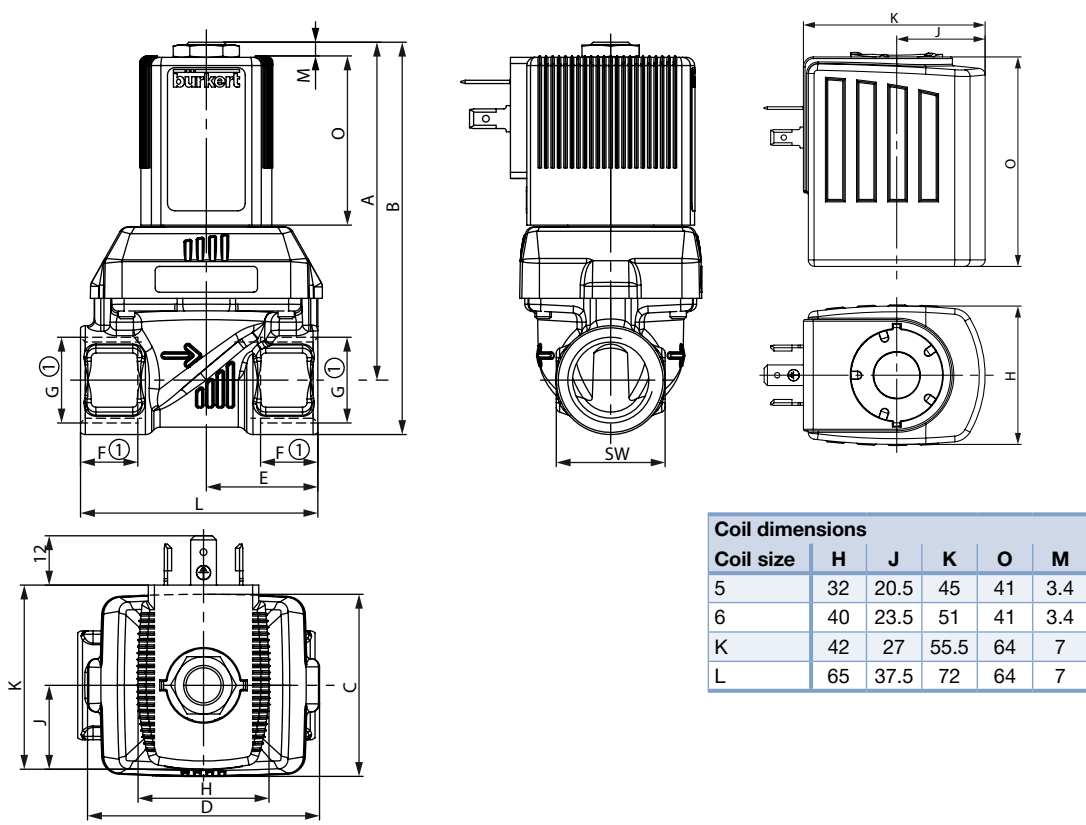
Port connection [inch]	Orifice [mm]	Cv	Pressure range [PSI]	Item no. Voltage/Frequency [V/Hz]	
				24 V DC	120 V/60 Hz
Brass UL Listed					
NPT 3/8	10	2.2	1.5 – 145	280512	280511
NPT 1/2	13	4.2	1.5 – 145	280508	280506
NPT 3/4	20	9.6	1.5 – 145	280502	280500
NPT 1	20	9.6	1.5 – 145	280486	276442
Stainless steel UL Listed					
NPT 1/4	10	2.2	1.5 – 145	280432	280431
NPT 3/8	10	2.2	1.5 – 145	280426	280425
NPT 1/2	13	4.2	1.5 – 145	280420	280418
NPT 3/4	20	9.6	1.5 – 145	280415	280413
NPT 1	20	9.6	1.5 – 145	280411	280409

Options

- Coil UL Recognized for USA and Canada cURus
- Energy-saving double coil technology with “Kick and Drop” (KD) electronics
- Cable plug with LED and varistor

Port connection [inch]	Orifice [mm]	Cv	Pressure range [PSI]	Weight [lbs]	Item no. Voltage/Frequency [V/Hz]	
					24 V DC	120 V/60 Hz
Brass UL Recognized						
NPT 1 1/4	25	12.7	1.5 – 145	4.8	273558	333885
NPT 1 1/2	40	34.7	1.5 – 87	8.8	273559	333912
NPT 2	40	34.7	1.5 – 87	9.2	273560	333915
Stainless steel UL Recognized						
NPT 1 1/4	25	12.7	1.5 – 145	4.9	273643	333906
NPT 1 1/2	40	34.7	1.5 – 87	8.2	273645	333933
NPT 2	40	34.7	1.5 – 87	9.1	273646	333939

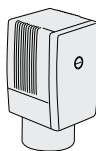
Dimensions [inch] (see datasheet for details)



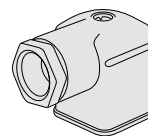
- ① The dimensions F and G apply to NPT-threads
- ② Brass NPT - thread port version only
- ③ Stainless steel NPT - thread port version only

For UL Listed Valves

For UL Recognized Valves



2509 plug Form A included



2518 plug Form A included

DN	A	B	C	D	E (MS/VA)	NPT		L (MS/VA)	SW	Coil size			
						F	G						
10	2.84	3.28	1.44	1.84	.88	.40	NPT 1/4	2	.88	5 and 6			
10 ②	2.92	3.46			.98	.52	NPT 3/8	2					
10 ③							NPT 1/2	2.2	1.0				
13 ②	3.30	3.83	1.78	2.27	1.10	.54	NPT 1/2	2.32	1.08	5 and 6			
13 ③					1.3			2.6					
13	3.38	4.02			1.3	.56	NPT 3/4	2.6	1.28				
20	3.88	4.52	2.6	3.06	37	.56	NPT 3/4	3.06	1.28	5 and 6			
20	3.98	4.80			1.5			.67			NPT 1	3.2	1.64
25	5.73	6.53	3.08	3.52	1.8	.67	NPT 1	3.8	1.6	K and L			
25	5.93	6.93			1.8			.69			NPT 1 1/4	3.8	2
40 ②	6.15	7.15	4.18	4.7	2.44	.69	NPT 1 1/4	5.04	2	K and L			
40	6.37	7.57			2.44			.69			NPT 1 1/2	5.04	2.4
40	6.61	8.01			2.56			.70			NPT 2	5.28	2.8