



**ALL ACCESS
EQUIPMENT**



CMC
THE SPECIALIFT

CMC 105HD+ARBOR PRO

TECHNICAL DATA SPECSHEET





AERIAL | STANDARD

- 105 ft Working height
- Up to 52 ft lateral reach
- Double telescopic lower boom
- Triple telescopic upper boom
- 90° Independently articulating jib
- 180° Basket rotation (+/- 90° each way)
- 400° non-continuous boom rotation
- Wired control panel in basket with 2 joysticks with single handed capability, for all functions including booms, outriggers, track drive, automatic leveling, speed controls, and home function. Joysticks eliminate the need for a separate dead-man switch.



OUTRIGGERS | STANDARD

- Automatic outrigger self leveling
- Multi-position outriggers in wide/narrow footprints
- Four (4) specially designed sliding outrigger pads
- Heavy-duty outrigger piston protective covers



CHASSIS | STANDARD

- Wireless remote control with color screen for all functions including booms, outriggers, track drive, automatic leveling, speed controls, and home function.
- Cable to connect wireless remote in case of a problem with the wireless system
- Radio remote control storage box and built in battery charger for radio remote lithium batteries
- Remote connection kit (All Access can connect to machine remotely if unsecured WiFi is shared with machine)
- Two (2) lithium batteries and built in charger for radio remote control



TRACKS | STANDARD

- Black rubber tracks (set)
- Vertically and horizontally hydraulically adjustable tracks
- Ability to raise basket & jib up out of the way while driving the tracks



POWER | STANDARD

- Kubota D902 diesel engine
- 24V Battery backup electric pump (intermittently use the 24V battery to operate all functions)



PLATFORM | STANDARD

- Removable two man aluminum basket with rounded outer corners for better use. Size is 55" long x 27.5" wide x 43.3" high
- Removable single man 24" x 24" fiberglass basket equipped with basket quick connect bracket and vinyl fiberglass bucket cover with tether



OTHER | STANDARD

- 1 & 3 years warranty. 1 yr "bumper to bumper" and 3 yrs on certain components. Unlimited use hours.
- Detailed owners maintenance and use manual, including parts and service diagrams
- One (1) Fall arrest safety harness



CHASSIS | OPTIONAL

- Travel alarm
- Warning light
- 1 Custom paint color: Choice of more than 200 colors. *No fluorescent or metallic colors*
- 2 Custom paint colors: Choice of more than 200 colors. *No fluorescent or metallic colors*

TRACKS | OPTIONAL

- Non-marking grey tracks (replaces the standard black tracks)
- Track socks

POWER | OPTIONAL

- Full lithium battery power with built in battery charger. Should be paired with option 0000110. Kubota diesel is removed
- Auxiliary 120V 20A plug in electric motor with charger for 12V battery. This is not a battery system. With this system, you can plug the machine in and use it on 100% AC electric power. This is in addition to the combustion engine

PLATFORM | OPTIONAL

- Hydraulic Tool Outlet in basket
- High pressure air/water hoses routed internally from the ground to the basket - 2900PSI
- 120V Electric outlet in basket with extension cord through the booms
- Additional basket: Removable single man aluminum basket 31.5" L x 23.6" W x 43.3" H. Basket support with wheels for easy handling is included
- Additional basket: Removable two man made in USA 24" x 48" fiberglass basket equipped with basket quick connect bracket.

OTHER | OPTIONAL

- Biodegradable hydraulic fluid (non-toxic, natural fluid. For extreme cold or sensitive locations)
- Ratchet straps (each. 4 are already included)
- Additional fall arrest aerial lift harness and lanyard kit including storage bag
- Specially designed outrigger pads (each) (4 are already included)
- Set of 4 cavity outrigger pads

LITHIUM ION BATTERIES



NON-MARKING TRACKS



HYDRAULIC TOOL OUTLET



CUSTOM PAINT COLORS





TECHNICAL SPECIFICATIONS

PERFORMANCE

Maximum working height.....	105'
Maximum side reach at 265 lbs, unrestricted.....	52'
Maximum side reach at 485 lbs.....	50'
Maximum weight load with standard basket.....	485 lbs
Moveable Jib articulating range.....	135°
Turret rotation range.....	+/- 400°
Basket rotation range.....	+/- 90°
Maximum slope to stabilize (deployment).....	8.3° (15%)
Maximum slope approach angle (front/engine).....	16° (29%)
Maximum slope approach angle (rear/basket).....	18° (31%)
Gradeability -- max. travel angle / slope*.....	19° (34%)
Maximum crawler angle.....	15°
Maximum crawler travel speed**.....	0 - 2.2. ft/s

*This is the standard setting. The standard setting can be overridden to: 31° (60.1%)

**3 speeds: Slow, Slow with Torque, Fast

DIMENSIONS

Basket height (basket is removable, variations available).....	43"
Basket width.....	28"
Basket length.....	67"
Total length.....	24' 8"
Total length without basket.....	22' 11"
Total width (w/o basket, tracks in).....	61"
Total width (w/o basket, tracks extended).....	75"
Height in transport position (tracks in).....	78"
Height in transport position (tracks extended).....	92"
Free height from the ground.....	17"
Tracks (LxW).....	96" x 12"
Track extension.....	60" - 72"
Outrigger spread length in narrow position.....	25' 5"
Outrigger spread length in wide position.....	20' 1"
Outrigger spread width in narrow position (basket side).....	12' 3"
Outrigger spread width in wide position (basket side).....	17'
Outrigger spread wide to narrow (basket side).....	14' 8"
Outrigger spread width in narrow position (engine side).....	10' 4"
Outrigger spread width in wide position (engine side).....	16' 3"
Outrigger spread wide to narrow (engine side).....	13' 8"
Outrigger foot diameter.....	9 1/2"

WEIGHT

Total weight.....	16,050 lbs
Maximum outrigger foot pressure.....	137.82 lb/in2
Maximum track pressure.....	13.51 lb/in2
Maximum pressure in travel.....	100.77 lb/ft2
Maximum pressure in work (wide outrigger setup).....	42.19 lb/ft2

POWER

Kubota D-902 E3B diesel engine.....	21.6 HP
Diesel fuel tank capacity.....	4 gallons
120V 20A plug in electric motor (optional)	

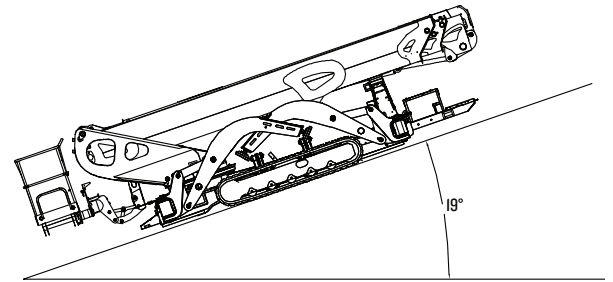
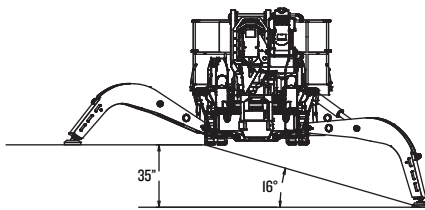
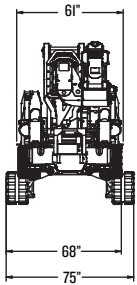
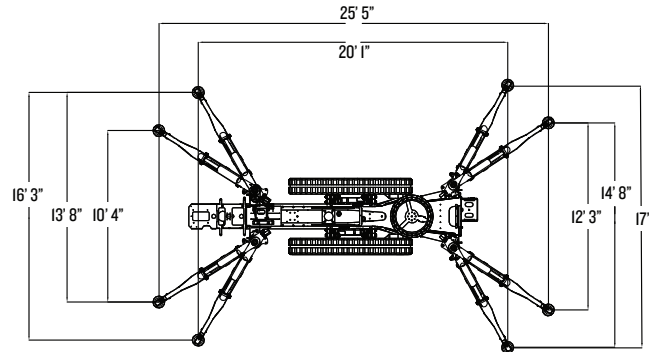
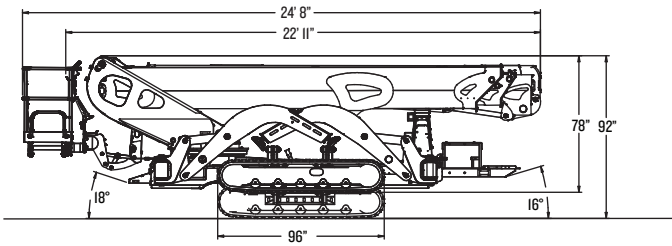
*Technical specifications are non-binding, in some cases are approximate, and are subject to change.





DIAGRAMS

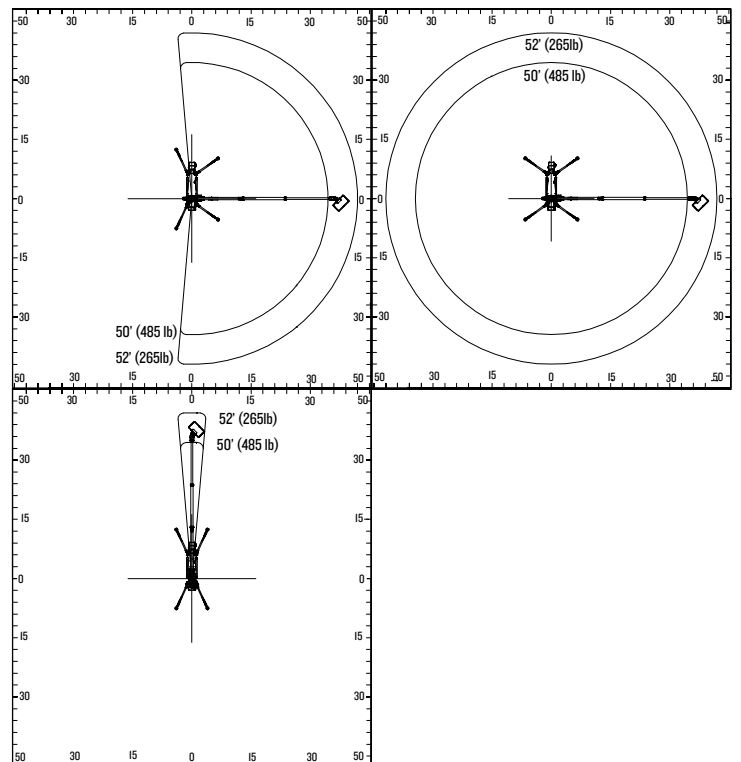
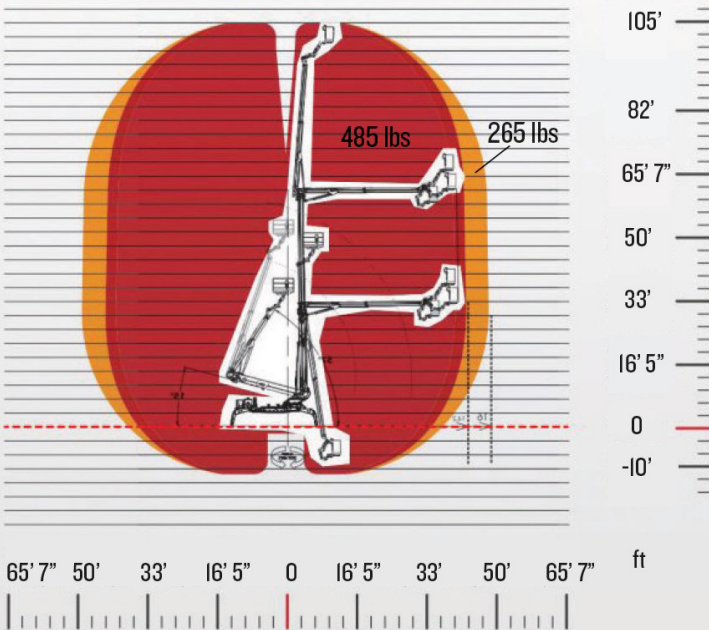
*Measurements are in feet and inches



105HD+ Reach Diagram



■ 485 lbs ■ 265 lbs



*Technical specifications are non-binding, in some cases are approximate, and are subject to change.



GALLERY

