

# Positive Displacement Sensor Fitting for continuous flow measurement

S077

## DN15 - DN100

- INLINE Quarter-Turn technology
- Electronics available for indication, monitoring, transmitting, On/Off control and batch control



CLICK ME



FOR DATA SHEET

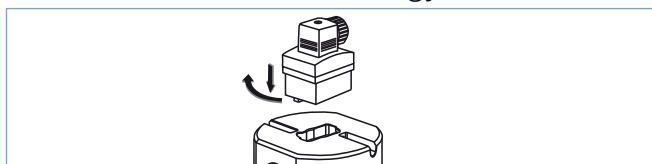
This positive displacement sensor fitting is specially designed for flow measurement and/or batch control of highly viscous fluids like glue, honey or oil. This measuring element must be associated to a transmitter SE30, SE32, SE35, SE36 with hall sensor principle only, quickly and easily connected together by a Quarter-Turn. The design of this fitting is based on the oval rotor principle. This has proven to be a reliable and highly accurate volumetric method of measuring flow. Exceptional repeatability and high accuracy over a wide range of viscosities and flow rates are features of that design. The low pressure drop and high pressure rating make it suitable for both gravity and pump (inline) applications.

### Technical Data

General data	
<b>Compatibility</b>	With transmitter SE30, SE32, SE35, SE36 with Hall sensor principle (see separate data sheet)
<b>Wetted parts materials</b>	
Body	Aluminium, stainless steel 316L (1.4401)
Rotor	PPS, aluminium, stainless steel 316L (1.4401)
Shaft	Stainless steel 316L (1.4401)
Seal	FKM or FEP/PTFE encapsulated
Complete device data	
<b>Pipe diameter</b>	DN15 - DN100
Thread connection	½"; 1"; 1½"; 2"; 3" (NPT)
Flange connection	1"; 1½"; 2"; 3" or 4" ANSI 150LB flange
<b>Medium temperature max.</b>	
Aluminium body:	-4 °F to 176 °F (-20 to +80 °C)
Stainless steel body:	-4 °F to 248 °F (-20 to +120 °C)
<b>Medium pressure max.</b>	
DN15	798.05 PSI (threaded process connection)
DN25	798.05 PSI*
DN40 or DN50	261.18 PSI
DN80 / DN100	174.12 PSI/10 bar (145.1 PSI)
<b>Viscosity</b>	1 Pa.s max. (higher on request)
<b>Repeatability</b>	± 0.03 % of Reading
Environment	
<b>Ambient temperature</b>	32 °F to 140 °F (0 °C to +60 °C) (operation and storage)

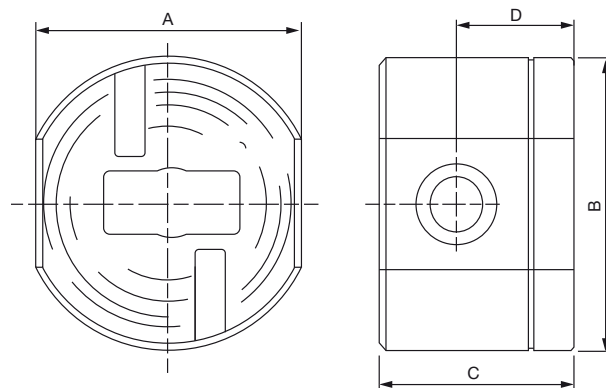
\* or in accordance to the value of the used flanges

### Burkert Quarter-turn Technology



### Dimensions [mm]

Dimensions shown for threaded version for flanged connection please see datasheet



Orifice DN	St. St.	Alu	B	C	D
15	81	81	87	49	28
25	100	100	112	75	45
40	120	120	137	103	61
50	140	140	163	124	72
80	260	302	220	180	80

### Ordering Chart

DN	Connection	Body material	Seal	Item no.
15	NPT ½"	Al	FKM	567225
		SS	FEP/PTFE	567226
25	NPT 1"	Al	FKM	567229
		SS	FEP/PTFE	567230
	1" ANSI 150 LB flange	Al	FKM	567233
		SS	FEP/PTFE	567234
40	NPT 1½"	Al	FKM	567237
		SS	FEP/PTFE	567238
	1½" ANSI 150 LB flange	Al	FKM	567241
		SS	FEP/PTFE	567242
50	NPT 2"	Al	FKM	567244
	2" ANSI 150 LB flange	Al	FKM	567247
		SS	FEP/PTFE	567248
80	NPT 3"	Al	FKM	567250
		Al	FKM	567252
	4" ANSI 150 LB flange	Al	FKM	567254