

MSI Tension Link

Load Cell



Standard Features

- Integrates between a crane block and lifting equipment to provide force measurement for lifted items. This ideal integration for cranes features a 7:1 safety factor for compliance with industrial and military safety requirements.

Options

(Contact MSI for application consultation)

- Crosby® top and bottom shackles

Specifications

Input Resistance:

1,500 ohm

Output Resistance:

2,000 ohm

Full Scale Output:

0.8 mV/V

Connector Pin Out:

A: EX +

B: Sig +

C: Sig -

D: EX -

Accuracy:

0.1% sensor accuracy

Material:

4340 steel

Part Number/Price

Part #	Description	Price
181907	2K 7200 style load cell only	Consult
181908	5K 7200 style load cell only	Consult
181909	10K 7200 style load cell only	Consult
178093	25K 7200 style load cell only	Consult
178094	50K 7200 style load cell only	Consult
181910	100K 7200 style load cell only	Consult

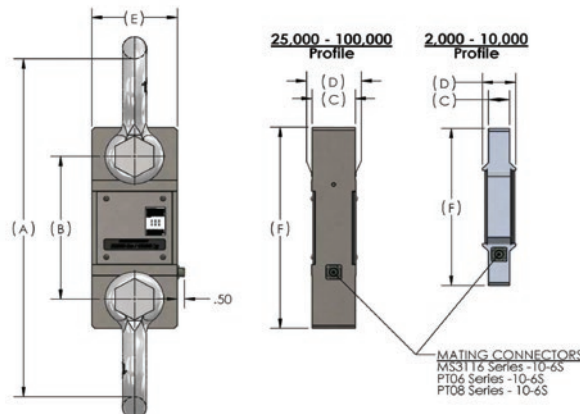
Contact factory for higher capacities

Options/Accessories

Part #	Description	Price
165978	Load cell to MSI-7001 interface cable, 6.5 ft	\$330.00
165979	Load cell to MSI-7001 interface cable, 10 ft	\$350.00
165990	Load cell to MSI-7001 interface cable, 25 ft	\$440.00
134505	Load cell mating cable to bare wires, 10 ft	\$185.00

Dimensions

Capacity (lbs)	P/N	Load Cell Material	(A) Headroom Loss	(B) C-C Length	(C) Lug Thk	(D) Body Thk	(E) Body Width	(F) Body Length	Lug Hole	Crosby Shackle
2,000	181907	Aluminum	13.50 in	8.00 in	0.99 in	2.13 in	4.50 in	9.75 in	0.78 in	3-1/4 T 151357
5,000	181908	Aluminum	13.50 in	8.00 in	0.99 in	2.13 in	4.50 in	9.75 in	0.78 in	3-1/7 T 151357
10,000	181909	Aluminum	16.13 in	8.50 in	1.35 in	2.13 in	5.37 in	10.75 in	1.05 in	6-1/2 T 151355
25,000	178093	Steel	22.39 in	9.26 in	2.24 in	2.24 in	4.80 in	12.76 in	1.67 in	17 T 141992
50,000	178094	Steel	25.74 in	9.76 in	2.74 in	2.81 in	5.43 in	13.76 in	2.05 in	25 T 151356
100,000	181910	Steel	28.49 in	10.74 in	3.09 in	3.09 in	6.86 in	15.74 in	2.30 in	55 T 146336



RICE LAKE
LOAD CELLS