

ILF ALPHA 173HP



ENERGREEN[®] *America*

Professional Machines



SELF-PROPELLED
HYDROSTATIC
MACHINES



SELF-PROPELLED
HYDROSTATIC MACHINES

HIGHWAY GRASS-CUTTING MACHINE





90°
ROTATING
CABIN

BRUSHCUTTER

Brushcutter with Multifunction Boom

ILF ALPHA

Energreen presents the new self-propelled hydrostatic machine **ILF Alpha**.

A high-tech level machine that guarantees high performance, safety and working flexibility.

ILF Alpha can be equipped with 3 different types of boom with different lengths which have various attachments.



STRENGTHS

ILF ALPHA



STRENGTHS



Safety and Comfort

- 90° rotating cabin certified FOPS-ROPS
- High visibility panoramic windshield
- Excellent working ergonomics
- SCD Stability Control Device



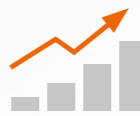
Quality

- 10" LCD Display touchscreen ECI *Energreen Control Interface*
- John Deere 173 HP powerful 4-stroke engine
- EPA Tier 4f emission
- Main parts made with special steel
- Heavy Duty hydrostatic transmissions



Multifunctional

- Three types of boom: T, F, 3P
- Several tools available
- Green maintenance, forestry work, winter viability
- Front and rear attachment for tools



Productivity

- Sturdy and flexible telescopic boom
- Bidirectional work
- Operation with multiple implements
- Easy and smart to use
- 360° cabin visibility

BOOM



THREE DIFFERENT BOOM SHAPES



BOOM T

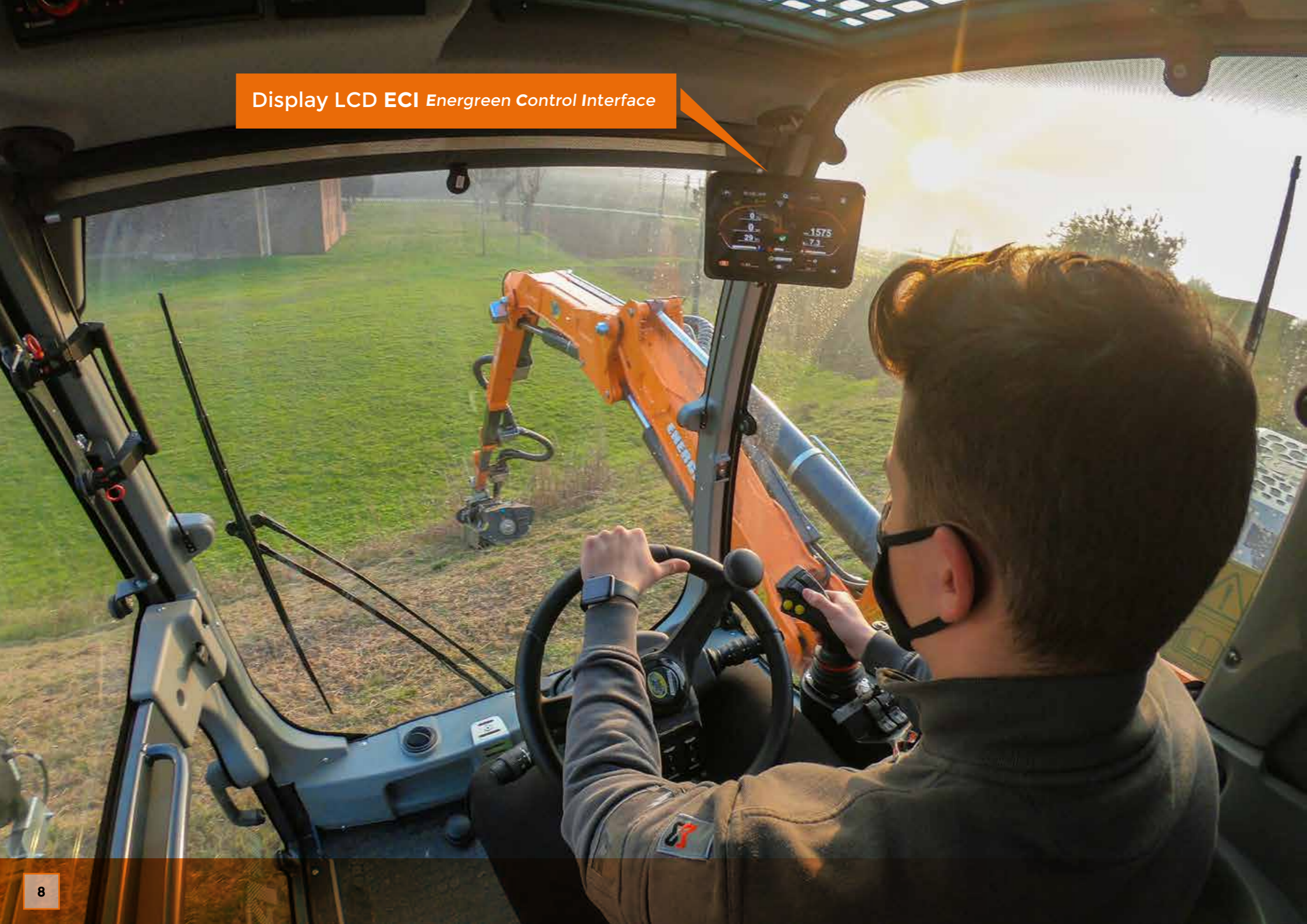


BOOM F



BOOM 3P

See pages 15, 16, 17



Display LCD ECI Energreen Control Interface

360° VISIBILITY

Complete visibility of the working environment

Visibility is an essential element for a correct and safe use of the machine while working and moving.
Visibility has always been one of Energreen strengths!

ILF Alpha has a comfortable and spacious cabin, equipped with a large windshield which allows the operator to have an efficient and total view of the work, keeping a high level of comfort and physical wellness.
In terms of safety, the cabin is certified by FOPS-ROPS tests: anti-tipping, against the risk of falling objects, soundproofed, provided with an efficient cooling system, and equipped with all that features necessary to assure the operator a safe and comfortable working environment.

The 90° rotation of the cab makes the cut of the grass in both directions much easier. The rotating cabin allows the operator to always keep the correct body posture, avoiding stress and backpain or stiff neck, as well as managing the work with great comfort and care.



ROTATING CABIN



DISPLAY ECI

The new control system ECI “Energreen Control Interface”

The new 10" color touchscreen display (1) together with the new Power Track, the button panel and the Joystick create the new ECI system “Energreen Control Interface”, exclusive by Energreen. This system allows to control all the functions of the machine in a simple and intuitive way, allowing also the customization of the screens based on the operator preferences.

The Power Track (2) is used for surfing inside the display. It is composed by multifunction buttons and a pushbutton for managing every function of the machine from the display.

Finally, the new Joystick (3) assures the control of the boom and of the tool with ease and the maximum precision.



CABIN COMFORT



Maximum Safety and Comfort

ILF Alpha cabin is certified according to the FOPS-ROPS regulation that guarantees the protection against overturning and objects fall. The cabin is completely isolated and efficiently air-conditioned thanks to a sealing system: soft gasket are settled on fixed and mobile glasses and the cabin is mounted on elastic supports on sustain points. In this way, this multifunction machine is suited for working in dusty and noisy environments for many hours per day, still keeping a high level of comfort.

The cabin is available in three versions: **STANDARD - COMFORT - PRESTIGE**



CABIN STANDARD

- 90° rotating cabin
- FOPS-ROPS certified cabin
- 10" ECI Display touchscreen
- Tilting and height-adjustable steering column
- Electronic direction control lever
- Adjustable armrest with Joystick
- Front windshield washer wiper
- Air conditioning with anti-pollen filter
- Retractable sunshade on front windshield
- Left mirror
- Height-adjustable LED beacon
- Cabin door partially openable
- Darked anti-UV rear window, partially openable
- Lateral documents holder
- Automatic LED courtesy lights
- Emergency glass break hammer
- External electrical socket for 12 V services
- Internal 12 V DC socket
- Two-way USB socket
- Clothes hangers
- GRAMMER MAXIMO XXL seat with air suspension and adjustable lumbar shock absorber



CABIN COMFORT

In addition to the «STANDARD CABIN» installation

- Cruise Control
- Instant reverse pedal
- DAB/Bluetooth stereo
- LED working lights



CABIN PRESTIGE

In addition to the «STANDARD CABIN» installation

- Cruise Control
- Instant reverse pedal
- DAB/Bluetooth stereo
- LED working lights
- N. 1 backup camera (integrated view in the ECI)
- Twin LED beacon
- Porthole with grille, curtain and windshield wiper.
- Windshield wiper on the right side.
- 4.5 lbs fire extinguisher
- GRAMMER MAXIMO EVOLUTION DYNAMIC seat with larger seat dimensions, air suspension system, longitudinal shock absorber, side suspension, lumbar shock absorber and active climate control system



ADJUSTABLE STEERING WHEEL



REVERSING CAMERA



TOP PORTHOLE WITH GRILLE



T8
26'

T10
33'

T12
39'



TELESCOPIC BOOM T

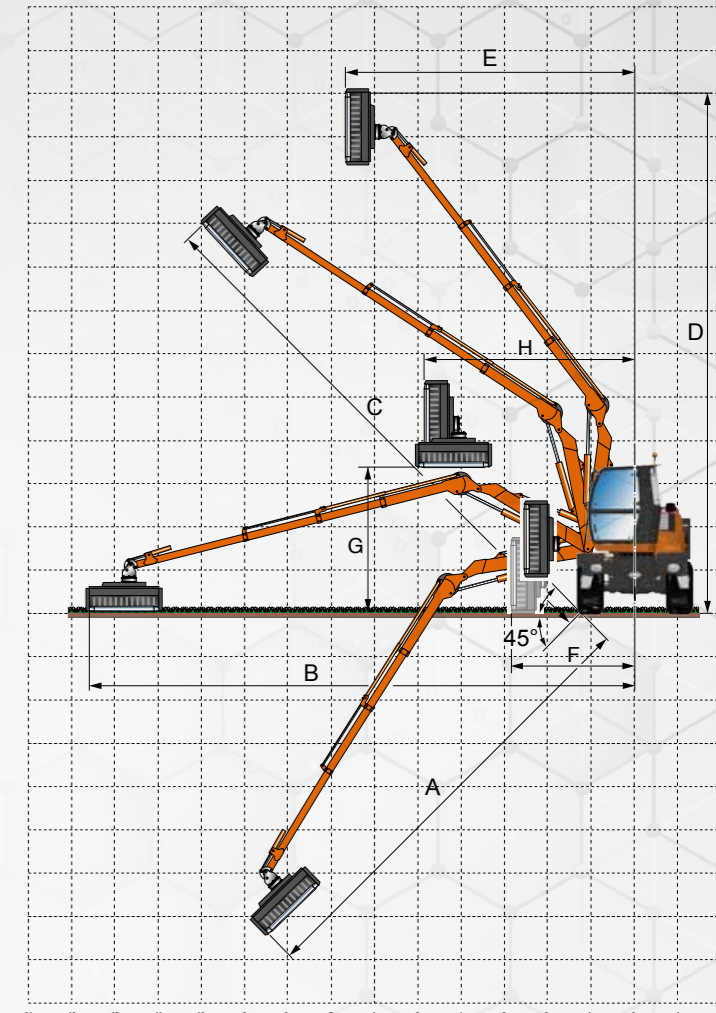


The telescopic boom **T** is sturdy and multifunctional. It is able to safely work with every kind of attachments. This boom has been designed both for long distance activity and for working in narrow areas on the edge of the street.

Models:
T8 (26 ft)
T10 (33 ft)
T12 (39 ft)

FEATURES

- Boom up to 39 ft.
- Suitable for long distance.
- Extended boom but with compact size.
- Cutting of branches in vertical position.
- Versatile use of various tools.



MOD.	A	B	C	D	E	F	G	H
T8	19.3'	26.1'	26.1'	27'	12.7'	8.4'	9'	14.3'
T10	25.7'	32.9'	31.1'	31.8'	16.7'	8.6'	9.1'	15.2'
T12	31.6'	38.6'	38'	36.4'	20.4'	9'	11.9'	15.5'

All dimensions are to be considered with a 150 cm NEW SPEED flail head in the most extreme fixing position.

Technical and construction specifications may be subject to change without prior notice.

F 9.5
31'
F 11
36'
F 12
39'

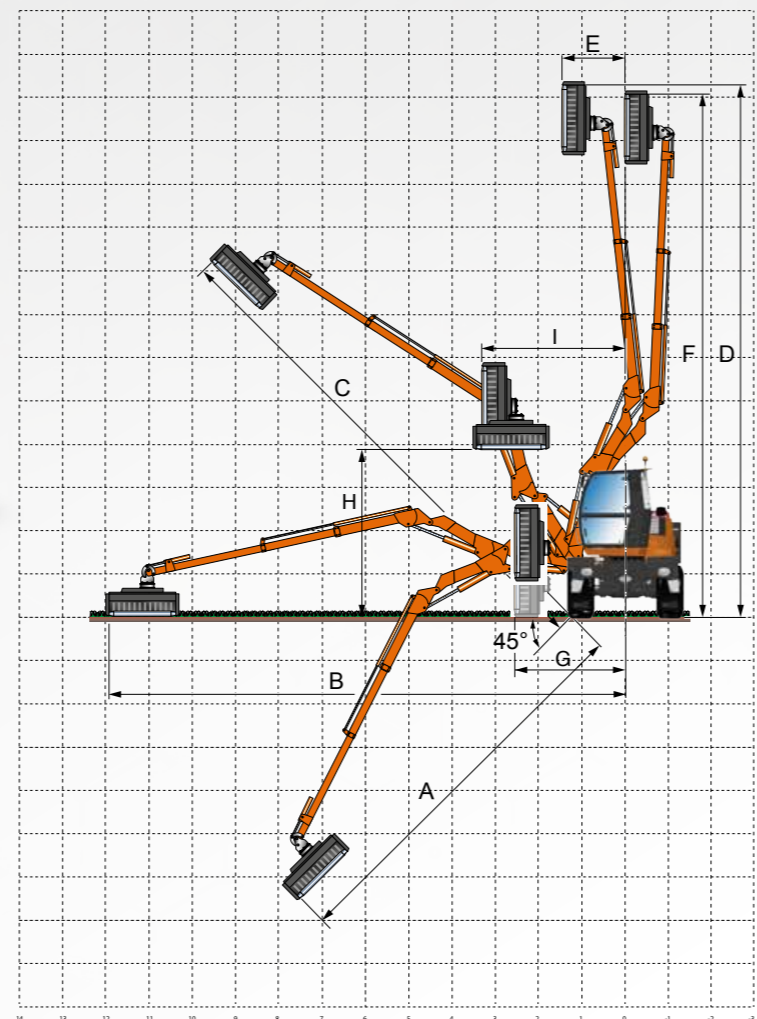


The telescopic boom **F** is ideal for vegetation cutting along roads or in narrow areas; its special shape makes the overcoming of obstacles - like road sign - easy and simple. It is also the ideal boom for aerial maintenance and pruning in vertical position.

Models:
F9,5 (31 ft)
F11 (36 ft)
F12 (39 ft)

FEATURES

- Boom up to 39 ft.
- Appropriate for roadsides and narrow areas.
- Easy overcoming of obstacles.
- Cutting of branches in vertical position.
- Versatile use of various tools.



MOD.	A	B	C	D	E	F	G	H	I
F9.5 (31')	21.4'	30.1'	30'	31.1'	4.1'	30.1'	7.6'	10.1'	10'
F11 (36')	26.1'	36.2'	35.5'	37.8'	3.6'	37.4'	7.8'	10.1'	9.3'
F12 (39')	29.5'	38.6'	37.9'	39.1'	3.2'	39.7'	7.7'	11.3'	10.5'

All dimensions are to be considered with a 150 cm NEW SPEED flail head in the most extreme fixing position.

Technical and construction specifications may be subject to change without prior notice.

3P
9.7
32'

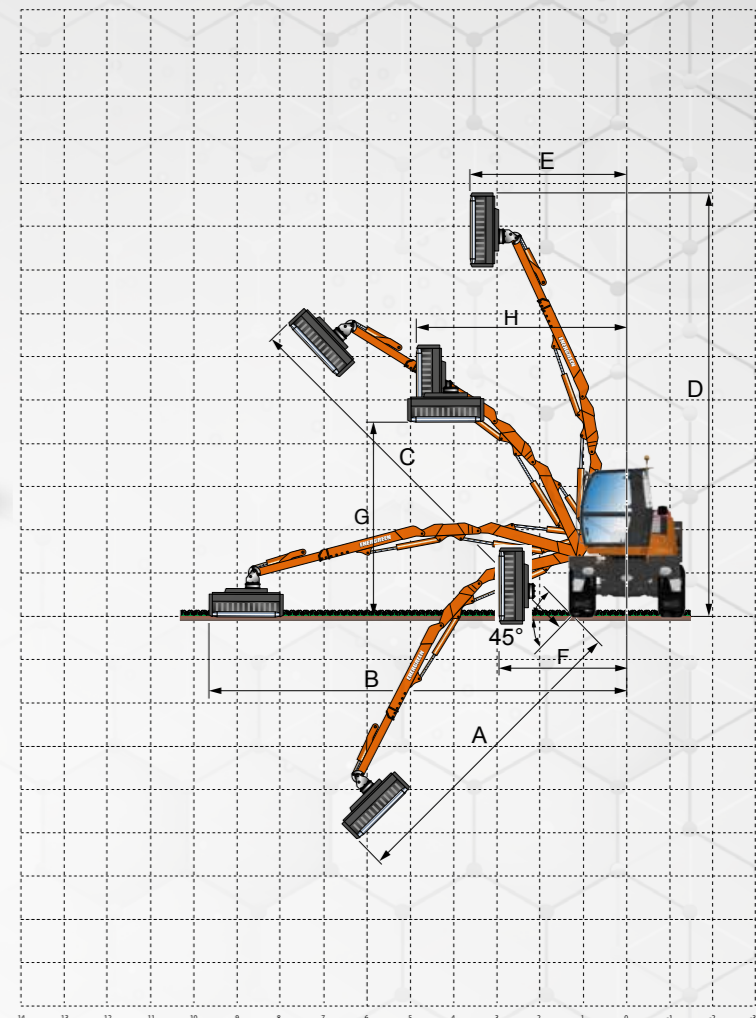


The telescopic boom **3P** has a sturdy and compact structure, divided in 3 pieces for allowing the overcoming of the typical obstacles when working along the routes. In addition, its geometry makes it ideal for working with tools like buckets for the cleaning of canals.

Model:
3P 9,7 (32 ft)

FEATURES

- Telescopic arm up to 32 ft.
- Ideal for roadsides or canals.
- Overcoming of obstacles.
- Ideal for working with buckets.
- Sturdy and compact structure.



MOD.	A	B	C	D	E	F	G	H
3P 9.7 (32')	23.5'	31.6'	30.1'	31.1'	12'	9'	14'	15.4'

All dimensions are to be considered with a 150 cm NEW SPEED flail head in the most extreme fixing position.

Technical and construction specifications may be subject to change without prior notice.

180° BOOM MOVEMENT

OPTIONAL

180° boom movement

The 180° boom rotation easily and quickly allows the operator to place the telescopic boom and its Flail Head anywhere on the side and to the front of the Alpha machine: boosting visibility, working efficiency and safety.

ILF Alpha is the ideal machine for all pruning and mowing activities.



AVAILABLE FOR ALL BOOM GEOMETRIES



BOOM T



BOOM F



BOOM 3P





ACCESSORIES

A FRONT ATTACHMENT



LIFTER "HERCULES" (22046 lb)
(optional)



DIN PLATE 76060
(optional)

B REAR ATTACHMENT



BLOWER
(optional)



TOW HOOK

ATTACHMENTS

THE SUITABLE TOOL FOR EVERY JOB

C



NEW SPEED
47" FLAIL HEAD



NEW SPEED
59" FLAIL HEAD



CONVEYOR HEAD
FLAIL HEAD WITH CONVEYOR BELT



FORESTRY HEAD
FORESTRY HEAD WITH FIXED TEETH



SAW BAR
CUTTER DISCS BAR



CUTTER BAR



POWER SHEARS



IRON BRUSH



DITCH CLEANER



ORANGE PEEL GRAPPLE



TRUNK PINCERS



FORC-ONE



EXTRA TRUNK
PRUNING SCISSORS-PINCERS



STUMP GRINDER



RIVER BUCKET
WEEDING-MOWING BUCKET

Only for 3P boom



DITCH BUCKET

A

RAIBER
BARRIER MOWER



TRANSFORMER 840



DISCOVERY 840



ROTATOR UNIT
ROTATOR UNIT FOR 180° ATTACHMENTS ROTATION

180°

ATTACHMENTS

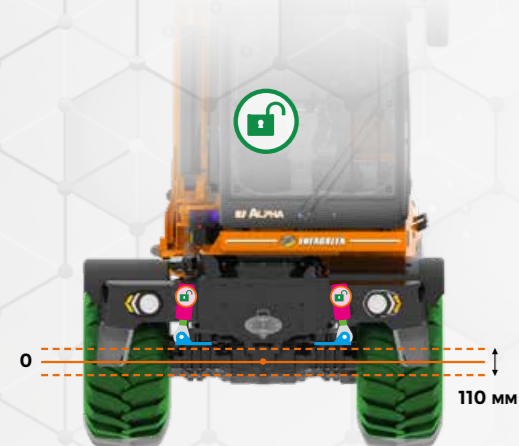
EASY RIDE

EASY RIDE, SUSPENDED FRONT AXLE

OPTIONAL

A TRANSFER MODE

Front Suspended Axle (Easy Ride system) is automatically activated in all transfers of the machine, and/or when the second gear is activated. The system allows a vertical front axle movement of 110 mm, for a perfect cushioning result during transfers.



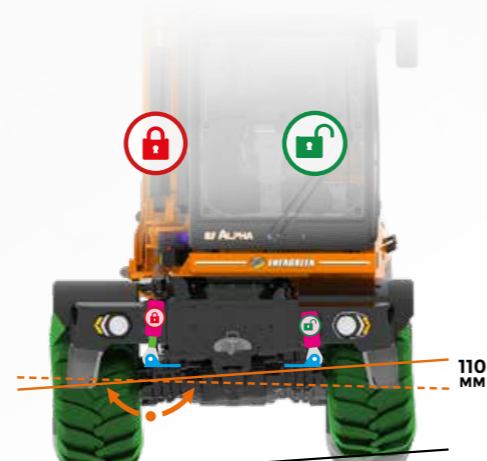
B WORK MODE

When in **work mode** the front axle automatically locks left and right suspensions to maximize working stability and safety. Suspended Axle system also allows to only unlock the left-side suspension while the right-side suspension is kept locked; to better compensate side slopes inclinations, maintain machine stability to its maximum and grant tyre to soil grip, to finally improve working performance and safety.



C WORK MODE

WORK MODE SUSPENSION is for all works to be performed over uneven grounds and roads.

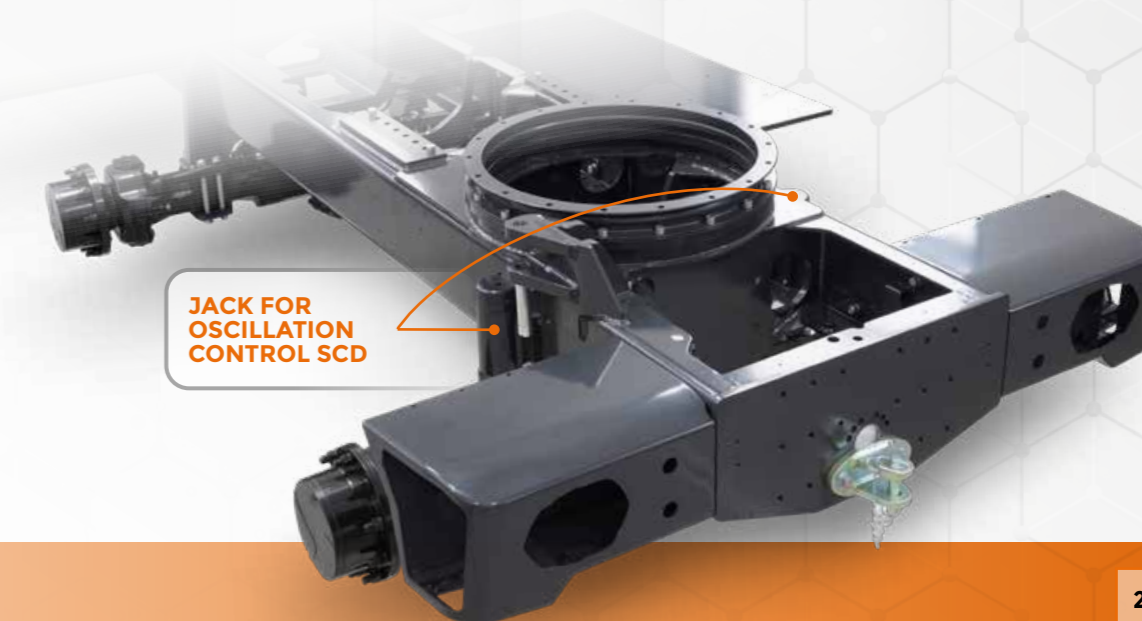
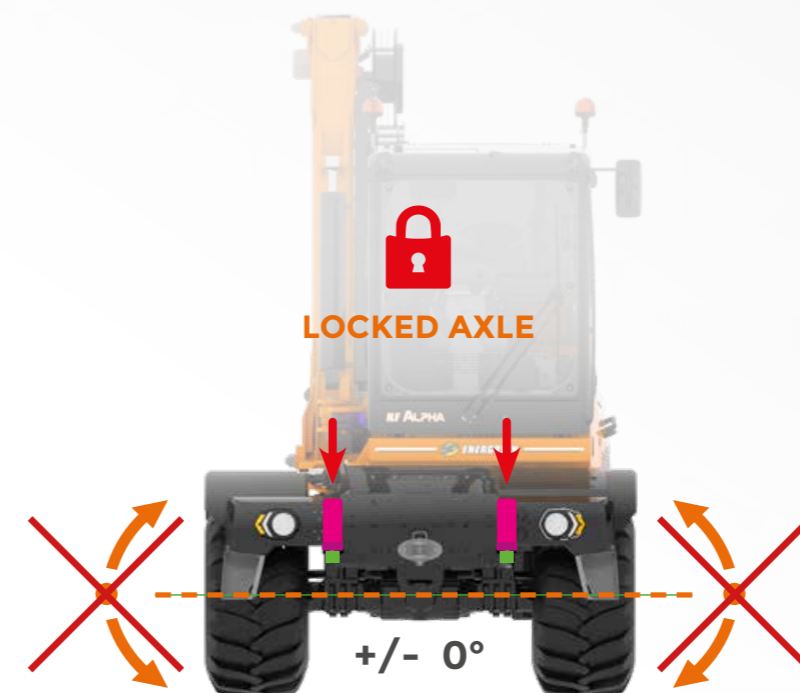
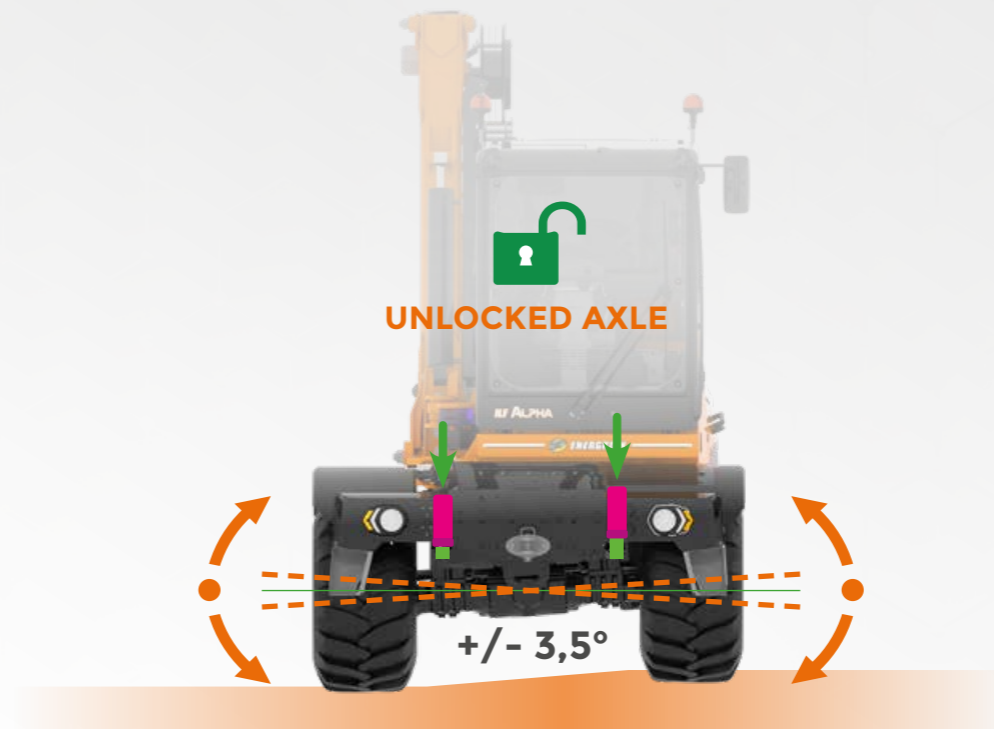


STABILITY

Stability Control Device

The **Stability Control Device*** allows to lock the front axle oscillation, increasing the stability of the machine, in order to guarantee the maximum level of performance and safety for the operator. This plus is composed by two hydraulic jacks fixed on the chassis of the machine and controlled by the innovative ECI system inside the cab.

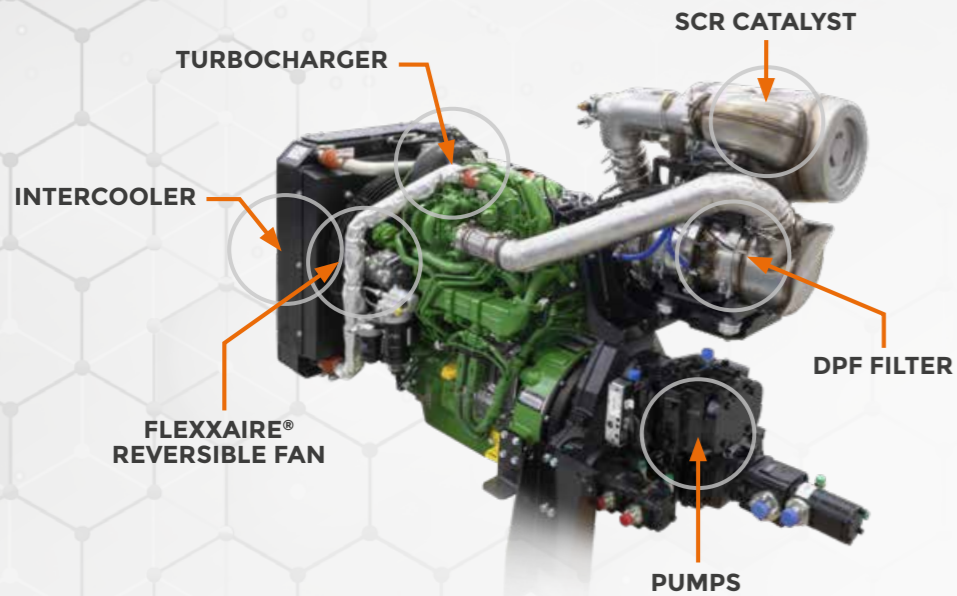
* If the machine is Easy Ride, refer to the previous page for the operation of the SCD system.



ENGINE

ILF ALPHA

John Deere Power Engine



ILF Alpha is equipped with a 4-stroke engine John Deere 4.5 with 173 HP (129 kW), 4-cylinder inline engine with liquid-cooled, external exhaust gas recirculation and EPA Tier 4f emissions.

The powerful Common Rail injection system with high pressure with 2 valves per cylinder and the electronic engine control (EMR) with intelligent link to the drive management ensures optimum engine performance at low fuel consumption.

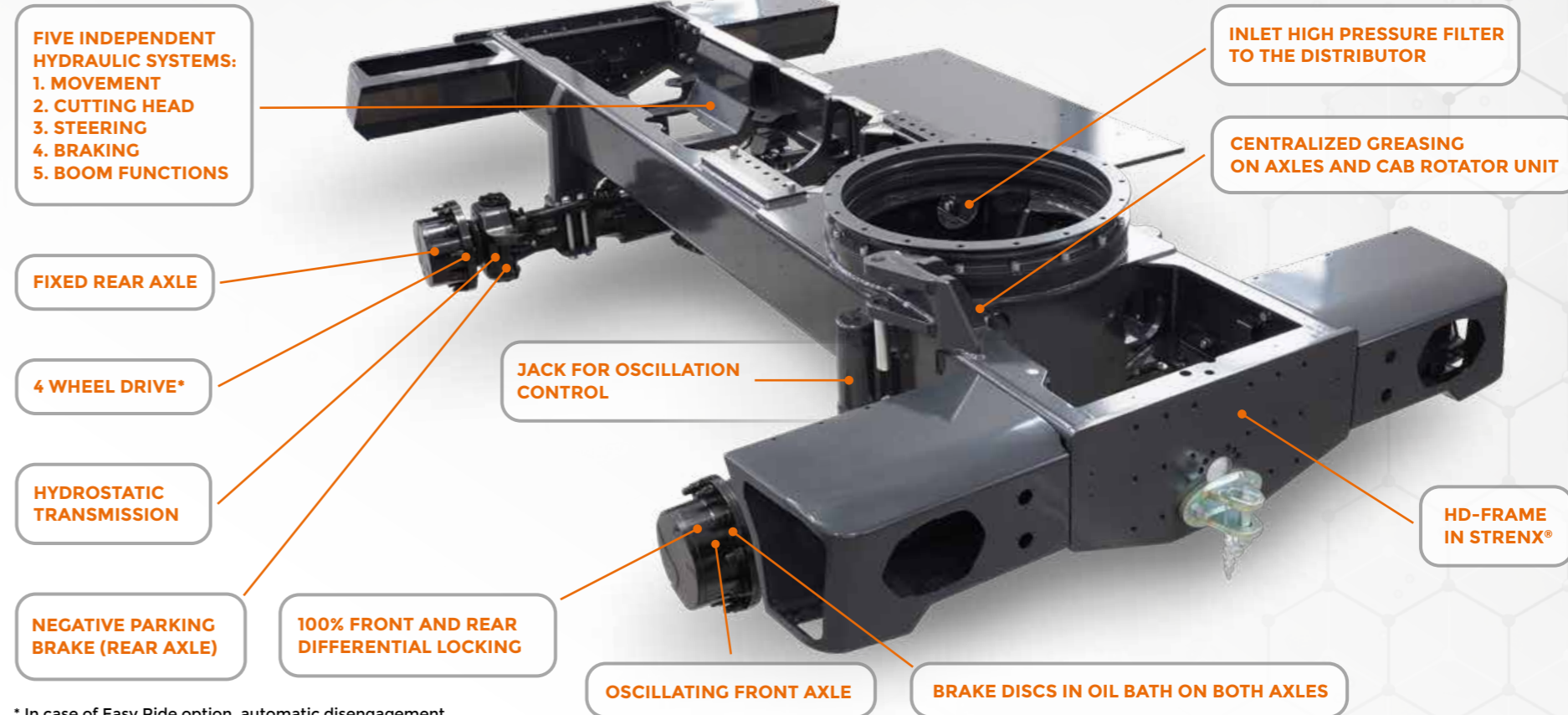
- Minimum consumption of fuel compared to competitors.
- Technical support and diagnosis provided by John Deere's worldwide service network.



EASY ACCESS FOR MAINTENANCE



JOHN DEERE 4.5



* In case of Easy Ride option, automatic disengagement of mode four wheel driving in road transfer mode.

QUALITY

EASY MAINTENANCE

Easily accessible for maintenance

For meeting the productivity and safety needs of the clients, Energreen wanted to integrate in the self-propelled machine **ILF Alpha** a concept of ordinary maintenance which is simple, fast and efficient.

All the strategic points for the daily checks are easily accessible from the floor: the engine room and the various compartments for oil, diesel and AdBlue refueling are at hand.

All this makes **ILF Alpha** a cutting-edge machine, where the performance and the control of the operator are put in first place.



THE ENGINE COMPARTMENT IS EASILY ACCESSIBLE FOR ORDINARY AND EXTRAORDINARY MAINTENANCE



HANDLE

INTEGRATED STEP

MOVING STEP

DIESEL AND OIL SUPPLY COMPARTMENT AND FILTER MAINTENANCE

DEF SUPPLY COMPARTMENT

OPTIONAL



AUTO LUBE Automatic greasing system

OPTIONAL

The **AUTO LUBE** system is built with an electric greasing pump, electronically controlled, that allows to work independently and to be programmed to ensure the best grease of pins and bushing of the boom, of hydraulic cylinders, of the cab rotator unit and axles.

Moreover, this system allows an important reduction of maintenance hours.



Simple and intuitive JOYSTICK

High quality joystick with proportional main controls that allows a precise and smooth control of the attachments.

It allows you to move up to 3 boom functions at the same time with an excellent gradual movement.

TIRES



WIDE RANGE OF TIRES FOR EVERY TYPE OF GROUND AND JOB

STANDARD

MICHELIN
XF 18 R 22.5



OPTION A

CONTINENTAL / MITAS
MPT 445/65 R 22.5



OPTION B

ALLIANCE 18 PR
600/50 331



OPTION C

TRELLEBORG
650/45 T440 R 22.5



OPTION D

NOKIAN COUNTRY KING
600/50 R 22,5 10F



MANOEUVRABILITY



2 STEERING WHEELS



4 STEERING WHEELS CONCENTRIC



4 STEERING WHEELS PARALLEL



Agility and Accuracy in the Movements

The polyvalent soul of this machine is highlighted also from the 4-wheel drive traction system, all steering, hydraulically configurable from the cab control in 3 different operating modes:

- **2 front steering wheels**, for the maximum agility on road movement.
- **4 steering wheels**, a system that halves the turning range of the machine, ideal for working in narrow areas.
- **4 parallel steering wheels (crab)**, useful for moving special tools or for moving away from an obstacle.



OPTIONAL



Led working light kit



Cabin porthole
(Only with PRESTIGE cabin)



Backup camera



Mobile weight with step

DIMENSIONS

VERSION WITH ARM F12



* The total length of the machine depend on the type of boom (T, F, 3P) and the attachments.

DIMENSIONS AND WEIGHT

A Length	213 in
B Width	
• Tires 445 mm	94 in
• Tires 600 mm	99 in
• Tires 650 mm	100 in
C Height	157 in
D Wheelbase	98 in
E* Total Length T12	228 in
Machine weight	< 33069** lb

** The weight of the machine depend on the type of boom (F, T, 3P) and the attachments.

Technical and construction specifications may be subject to change without prior notice.

TECHNICAL DATA

CABIN

Rotating cabin	Up to 90°
Steering wheel	Adjustable
Joystick	Electronic
Air conditioning	Electronic
Rear glasses	Darkened anti UV
Cabin door	Openable 60-40
Adjustable seat	Air suspension
Power socket	12 V
Battery switch	Automatic
Cabin homologation	FOPS-ROPS

ENGINE

Brand	John Deere 4.5 4045CI
Type	4 Cylinders Diesel (4-Stroke Engine)
Power	173 HP (129 kW) @2200 RPM
Injection	Common Rail - 4 valves
Exhaust emissions	EPA Tier 4f
Alternator	200 A.
Pre-heating air engine intake	
Air intercooler radiator	
Reinforced cooler radiator	
Self-cleaning reversible fan	FLEXXAIRE®
Fuel tank capacity	65 gal
AdBlue capacity	6 gal

HYDRAULIC SYSTEM

Closed circuits	
Cutting heah	Piston
Translation pump	Piston
Open circuits	
Boom movement	Gear (Optional: Piston)
Brakes system	Gear
Steering system	Gear
Hydraulic distributor	6/7 sections
Oil flow attachment	42 gal/min
Oil pressure attachment	4206 psi

TRASMISSION AND BRAKES

Transmission	Hydrostatic
Traction	2x4 - 4x4
Speed variation	0 - 24 mph
Manual gearbox	2 gears
Wheel alignment	Electronic
Front axle	Oscillating
Front axle block	Hydraulic
Steering axles	2 axles
Front axle block	100%
Rear axle block	100%
Parking brake	Negative
Service brakes	8 discs

Technical and construction specifications may be subject to change without prior notice.



 **ENERGREEN**[®] America
Professional Machines 



ILF ALPHA

ENERGREENAMERICA.COM



SELF-PROPELLED HYDROSTATIC MACHINES



Local dealership



ENERGREEN America · 227 Trade Ct. · Aiken · SC 29805 · USA
Phone 470 989 2600 · info@energreamerica.com
www.energreamerica.com

PROFESSIONAL MACHINES AND ATTACHMENTS



ELUSD1800104 - 0124 - © Energreen America 2024 - All rights reserved
Photo, technical and constructive characteristics subjected to modification without reporting requirement.