

Flow Transmitter/Pulse Divider

8022

- Microprocessor-controlled electronics
- 2-wire (4-20 mA) / 3-wire (NPN/PNP) - operation
- Removable display unit
- Pluggable to flow sensor 8020 and 8030



The electronic module Type 8022 operates either as a flow transmitter (only with sensors pulse "Low Power" version Type 8020 and 8030) or as a pulse divider (with all versions of sensors of Type 8020 and 8030). The module operates the output of the sensors, displays the flow value and converts it to the signal output in mA or pulse. In operation as a flow transmitter, the frequency signal of the sensor is converted in a 4-20 mA signal (2-wire operation). In operation as a pulse divider, the input frequency is converted into an adjustable output frequency. The use of the display unit allows the switching between the two modes.

Technical Data

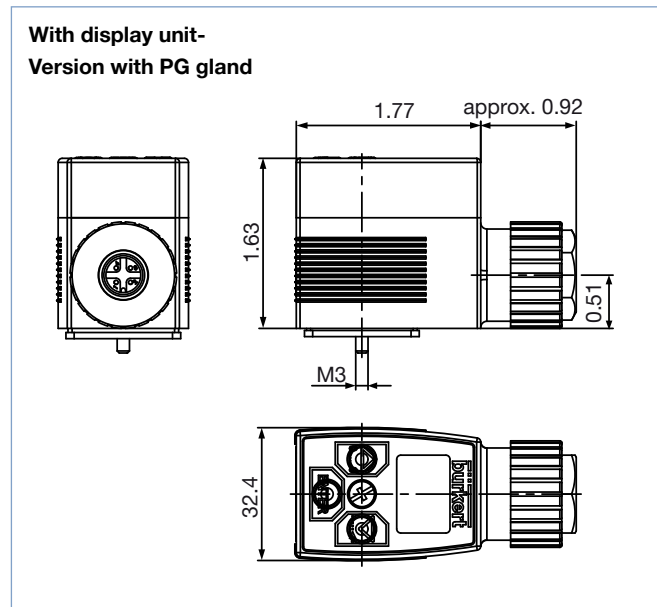
Power supply	12-30 V DC, filtered and regulated, SELV (safety extra low voltage) circuit with a non dangerous energy level
Voltage tolerance	± 10 %
Residual ripple	< 5 %
Power consumption max.	
Flow transmitter (4-20 mA output, 2-wire operation)	0.6 W
Pulse divider (NPN/PNP output, 3-wire operation)	3.2 W with <ul style="list-style-type: none"> • 0.2 W from the device • 1.5 W max. from the flow sensor* • 1.5 W max. from the PNP/NPN output*
Ambient temperature	14 °F to 140 °F (-10 to +60 °C)
Frequency input	1-600 Hz
4-20 mA output	Accuracy ± 1.5 % of full scale max. loop impedance: 1000 W at 30 V DC ; 700 W at 24 V DC; 100 W at 12 V DC
NPN/PNP output	Accuracy ± 1 % of measured value 1-600 Hz, "open collector", max. 50 mA
Electrical connection	Terminal strip 4 pins or male M12 connector
Housing material	Polyamide / PC

* depending on the customer configuration

Ordering Chart

Description	UL certification	*Item no.
Flow transmitter / pulse divider Type 8022 without display unit, PG connection	No	215644
Flow transmitter / pulse divider Type 8022 with display unit, PG connection	No	215645
Flow transmitter / pulse divider Type 8022 without display unit, PG connection	Recognized	563223
Flow transmitter / pulse divider Type 8022 with display unit, PG connection	Recognized	563224
Flow transmitter / pulse divider Type 8022 without display unit, male M12 connector	No	215646
Flow transmitter / pulse divider Type 8022 with display unit, male M12 connector	No	215647
Display unit for Type 8022	No	562876
Cover set (for operating without display unit)	No	670549
Right-angle female M12 connector, 4 pins	No	784301
Straight female M12 connector, 4 pins, with 5 m cable	No	918038

Dimensions [inch] (see datasheet for details)



Functions

- Microprocessor-controlled electronics
- Scalable 4-20 mA signal
- Pulse divider operation: Transforms the input to an adjustable output frequency (3-wire operation)
- Displays the flow in a selectable unit
- Removable display unit (is only required to configure or to display)
- Transmitter operation: conversion of the input frequency into a 4-20 mA signal (2-wire operation)