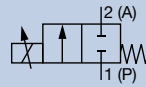


Direct-acting 2-way standard solenoid control valve

2875

- Excellent range
- Neutral gases and liquids
- Compact valve design
- Orifice sizes 2 ... 9.5 mm
- Optional: Explosion-protected coil



CLICK ME



FOR DATA SHEET

The direct-acting solenoid control valve Type 2875 is used as the regulating unit in control loops. Due to an elastomeric seat seal the valve closes tight (integrated shut-off function), up to the DN specific nominal pressure. The plunger of the valve is assembled frictionless, which leads to an extraordinary adjustment characteristic. This valve is particularly suitable for demanding control tasks (high control range, dry gases, etc.).

Technical Data

Setting range	1:200
Materials	Brass, Stainless Steel
Actuating time	<25 ms
Pressure range	0 – 25 bar (vacuum on request)
Operating voltage	12V, 24V DC
Medium temperature	14 °F to 194 °F (-10 °C to +90 °C) (with FKM) -22 °F to 194 °F (-30 °C to +90 °C) (with EPDM)
Degree of protection	IP65

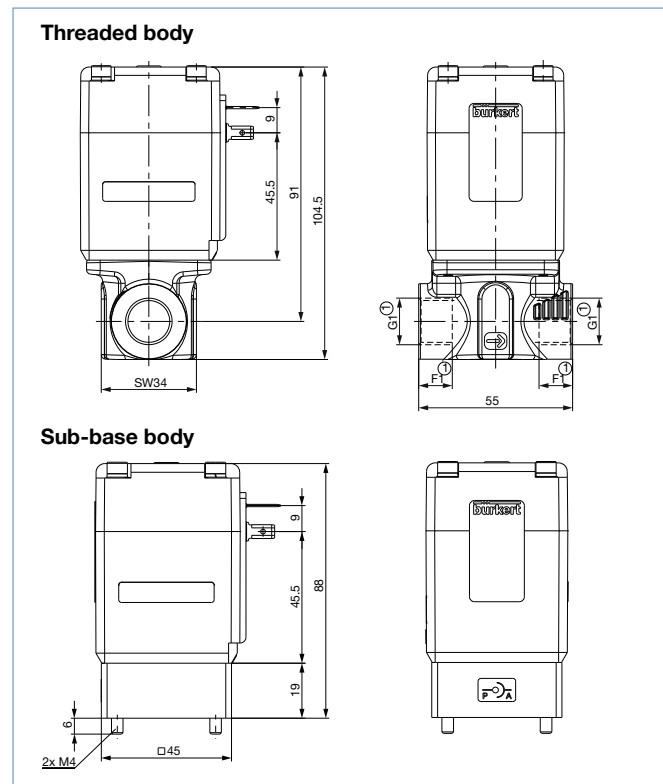
Options

- Manifold mount
- Vacuum rating
- Flying leads
- O2 cleaning
- UL recognized
- FDA conformity
- USP Class VI
- High differential pressure
- ATEX

Note:

- All valves with FKM seals, others available on request
- Please note that the cable plug must be ordered separately, see datasheet for Type 2518 (cable plug Type 2518, form A DIN 175301-803)
- For liquids select version with high differential pressure (NF64)
- Type 8605 PWM controller needed with device

Dimensions [mm] (see datasheet for details)



Ordering Chart

Orifice [mm]	Port connection	Kvs-value water [m³/h]	Nominal pressure [bar]	Maximum differential pressure [bar]	Item no.	
					Brass Body	S.S. Body
2.0	NPT 3/8	0.12	25	12.5	-	236900
2.0	NPT 3/8	0.12	25	25	255705	255707
3.0	NPT 3/8	0.25	10	5	236902	236904
3.0	NPT 3/8	0.25	10	10	251069	255713
4.0	NPT 1/2	0.45	8	4	236909	236913
4.0	NPT 1/2	0.45	8	8	255728	255732
6.0	NPT 1/2	0.8	4	2	236917	236921
6.0	NPT 1/2	0.8	4	4	255742	255745
8.0	NPT 1/2	1.1	2	1	236923	236925
8.0	NPT 1/2	1.1	2	2	255751	255752
9.5	NPT 1/2	1.4	0.7	0.35	314555	314559
9.5	NPT 1/2	1.4	0.7	0.7	314556	314560