



**ALL ACCESS
EQUIPMENT**



CMC
THE SPECIALIFT

CMC 72HD+ ARBOR PRO

TECHNICAL DATA SPECSHEET





AERIAL | STANDARD

- 72' working height
- Up to 41' of lateral side reach
- Sold single lower pantograph
- Upper boom with three telescopic extensions
- 710° non-continuous turret rotation
- Hydraulic hoses and control cables inside booms for complete protection, with easy service access
- Telescoping boom sections with hydraulic cylinders and leaf drive chains
- 90° independently articulating jib
- Radio remote control and fixed platform control station



OUTRIGGERS | STANDARD

- Ability to setup on up to 27° or 50% grade
- Automatic outrigger leveling, with individual manual hydraulic override controls
- 4 hydraulic outriggers with the ability to vary the positioning based on work zone requirements: Wide, narrow, wide and narrow.
- Waterproof safety switches placed in well protected positions
- Dual lock valves on all hydraulic cylinders
- Outrigger feet with articulating pad made of special anti-slip polymetric plastic to ensure safety



CHASSIS | STANDARD

- Radio remote control storage box and built in battery charger for radio remote lithium batteries
- Automatic outrigger self-leveling



TRACKS | STANDARD

- Black rubber tracks (set)
- Horizontal hydraulically adjustable tracks 34" - 50"



POWER | STANDARD

- Kubota Z602 diesel, 16.8 HP, vertical 4-Cycle liquid cooled diesel
- 12V Battery backup electric pump (intermittently use the 12v battery to operate all functions)



PLATFORM | STANDARD

- Removable single man aluminum basket with rounded outer corners for better versatility. Size is 31.5" L x 27.5" W x 43.3" H
Optional: Removable two man aluminum basket with rounded corners. Size is 55" L x 27.5" W x 43.3" H in lieu of the two man basket at no charge. Optional single man or two man fiberglass basket listed in options below
- 180° Basket rotation (+/- 90° each way)
- Ability to raise basket & jib up out of the way while driving the tracks



OTHER | STANDARD

- 1 & 3 years warranty. 1 yr "bumper to bumper" and 3 yrs on certain components. Unlimited use hours
- Detailed owners maintenance and use manual, including parts and service diagrams
- Four (4) specially designed sliding outrigger pads
- One (1) Fall arrest safety harness



CHASSIS | OPTIONAL

- Travel alarm
- Warning light
- 1 Custom paint color: Choice of more than 200 colors. *No fluorescent or metallic colors*
- 2 Custom paint colors: Choice of more than 200 colors. *No fluorescent or metallic colors*

TRACKS | OPTIONAL

- Non-marking grey tracks (replaces the standard black tracks)
- Track socks

POWER | OPTIONAL

- Full lithium battery power (160a 48v) with built in electric charger (replaces Honda gasoline engine). Should be paired with option 0000110. Combustion engine is removed
- Hybrid: Honda gas engine + 160ah lithium batteries
- Auxiliary 120V 20A plug in electric motor with charger for 12V battery. This is not a battery system. With this system, you can plug the machine in and use it on 100% AC electric power. This is in addition to the combustion engine

PLATFORM | OPTIONAL

- Hydraulic Tool Outlet in basket
- High pressure air/water hoses routed internally from the ground to the basket - 2900PSI
- 120V Electric outlet in basket with extension cord through the booms
- Removable single man made in USA 24" x 24" fiberglass basket equipped with basket quick connect bracket, replacing the standard basket
- Removable two man made in USA 24" x 48" fiberglass basket equipped with basket quick connect bracket, replacing the standard basket
- Removable two man aluminum basket with basket quick connect bracket. Size is 55" long x 27.5" wide x 43.3" high

OTHER | OPTIONAL

- Biodegradable hydraulic fluid (non-toxic, natural fluid. For extreme cold or sensitive locations)
- Ratchet straps (each. 4 are already included)
- Additional fall arrest aerial lift harness and lanyard kit including storage bag
- Double Travel Speed
- Specially designed outrigger pads (each) (4 are already included)
- Set of 4 cavity outrigger pads

LITHIUM ION BATTERIES



NON-MARKING TRACKS



HYDRAULIC TOOL OUTLET



CUSTOM PAINT COLORS





TECHNICAL SPECIFICATIONS

PERFORMANCE

Maximum working height	72'
Maximum side reach at 176 lbs	41'
Maximum side reach at 265 lbs	38' 8"
Maximum side reach at 507 lbs	32' 6"
Maximum weight load with standard basket	507 lbs
Maximum weight load (w/ singleman fiberglass basket)	350 lbs
Moveable Jib articulating range	90°
Turret rotation range	+/- 710°
Basket rotation range	+/- 90°
Maximum slope to stabilize (deployment)	27° (50%)
Height / Width tracks adjustment	34" - 50"
Maximum slope approach angle (front, engine)	31° (58%)
Maximum slope approach angle (rear, basket)	28° (55%)
Gradeability -- max. travel angle / slope*	17° (30%)
Maximum crawler travel speed**	0 - 1.5 ft/s

*This is the standard setting. The standard setting can be overridden to: 31° (60.1%)

**3 speeds: Slow, Slow with Torque, Fast

DIMENSIONS

Basket height (singleman aluminum)	43.3"
Basket width (singleman aluminum)	27.5"
Basket length (singleman aluminum)	31.5"
Total length	19' 5"
Length without basket	17' 9"
Height in transport position	78"
Total width (w/o basket, tracks in)	35"
Total width (w/o basket, tracks extended)	51"
Free height from the ground	7"
Tracks (LxW)	69" x 10"
Track extension	34" - 50"
Outrigger spread length in narrow position	13' 4"
Outrigger spread width in narrow position	8' 9"
Outrigger spread length in wide position	11' 6"
Outrigger spread width in wide position	11' 6"
Outrigger spread wide to narrow	10'
Outrigger foot diameter	7"

WEIGHT

Total weight	6,614 lbs
Maximum outrigger foot pressure	7.07 kg/cm ² - 69.4 N/cm ²
Maximum track pressure	(0.17 kg/cm ² - 1.67 N/cm ²)
Maximum pressure in travel	5 PSI (600 kg/m ² - 5.85 kN/m ²)
Maximum pressure in work (wide outrigger setup)	214 kg/m ² - 2.1 kN/m ²
Maximum pressure in work (narrow outrigger setup)	234 kg/m ² - 2.3 kN/m ²

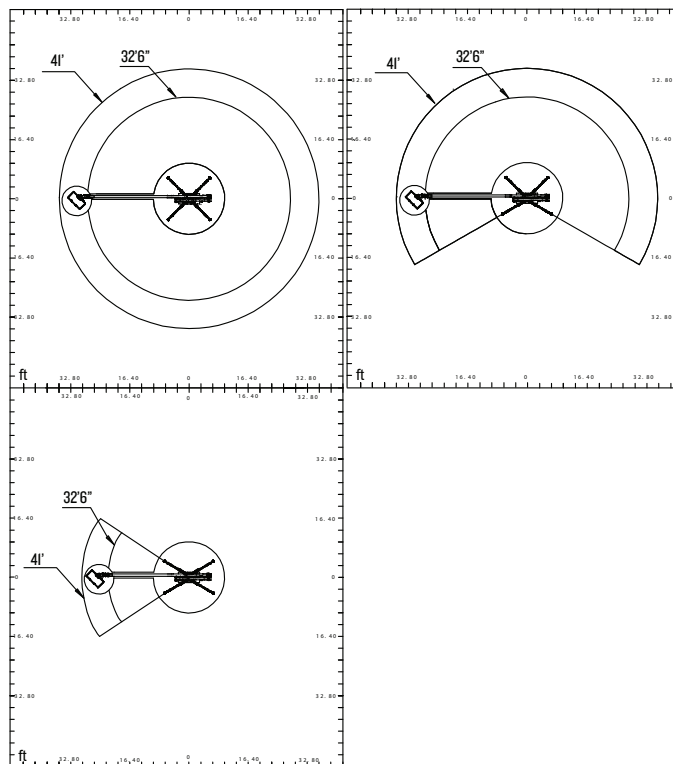
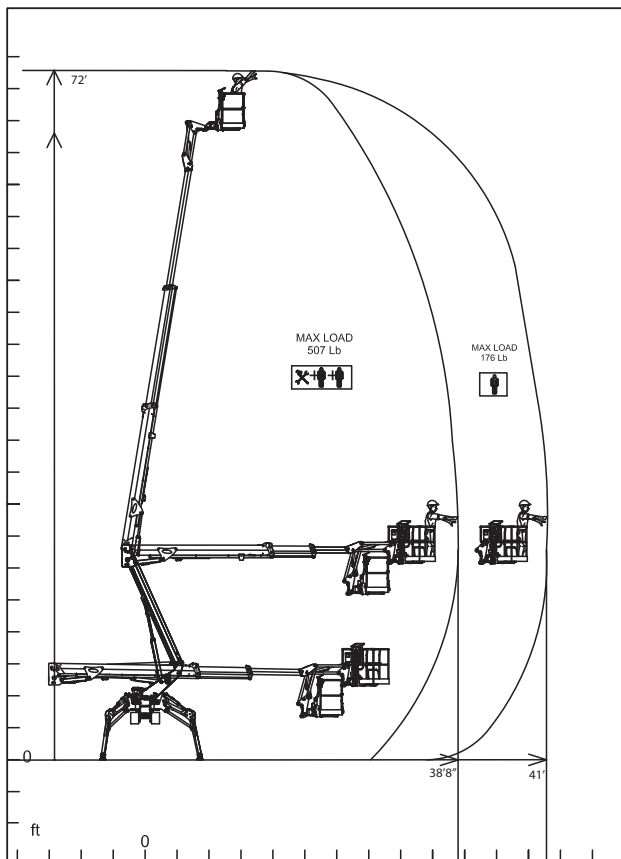
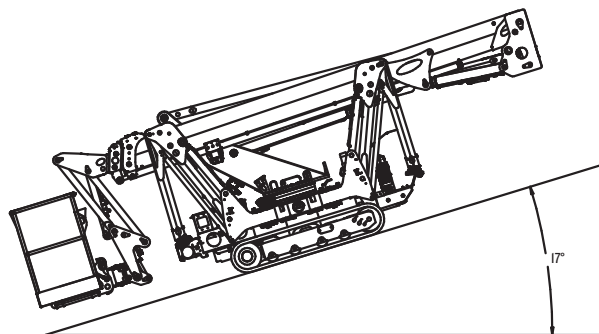
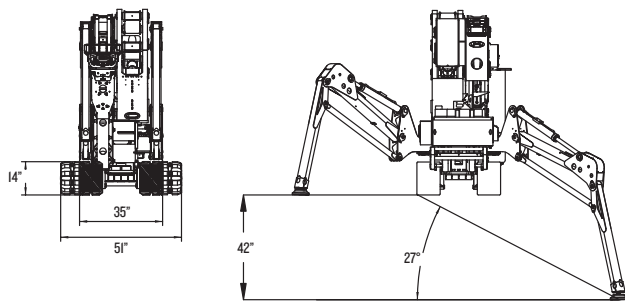
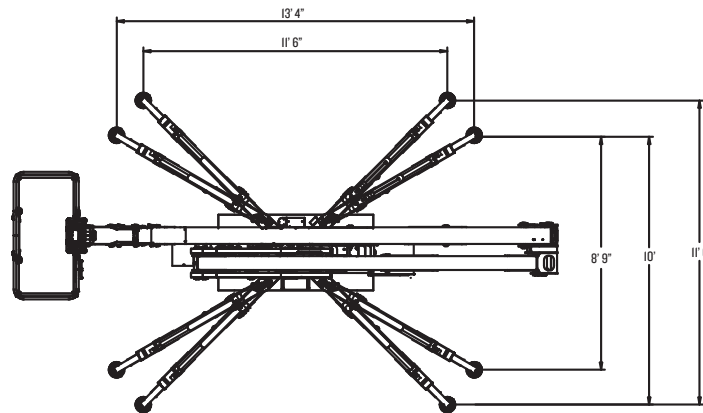
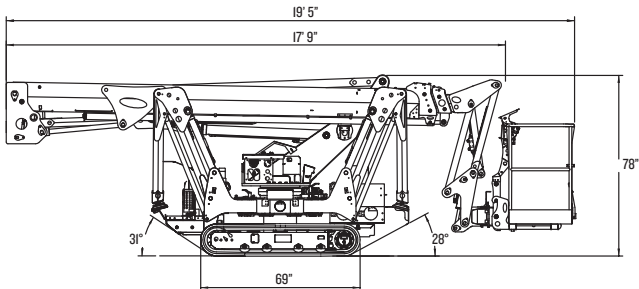
POWER

Kubota Z602 diesel engine	16.8 HP
120V 20A plug in electric motor (optional)	

*Technical specifications are non-binding, in some cases are approximate, and are subject to change.

DIAGRAMS

*Measurements are in feet and inches



*Technical specifications are non-binding, in some cases are approximate, and are subject to change.



GALLERY

