

# Radar Level Transmitter for General Purpose and Hygienic Applications

8140

## NPT thread, ANSI flange and tri-clamp process connections

- Continuous filling level measurement up to 120 m, 4...20 mA, 2-wire
- Available process connections: mounting bracket, thread (G, NPT 3/4 and 1 1/2), flange (DN50, 2" ASME), clamp (2")
- Excellent 80 GHz radar signal focusing and high measurement dynamics
- Adjustable via the display/configuration module and keys, alternatively via Bluetooth



CLICK ME

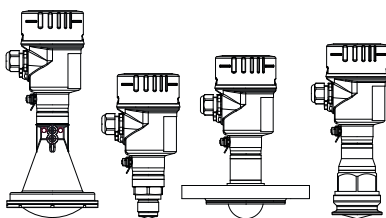


FOR DATA SHEET

The excellent focus of the radar signal and the high measurement dynamics allow excellent measurement results even in small, narrow and high containers, as the risk of signal interference by installations, constructions and vessel walls is significantly reduced. Signal damping, e.g. due to signal length, foaming or low dielectric constant values of liquids, become much less important.

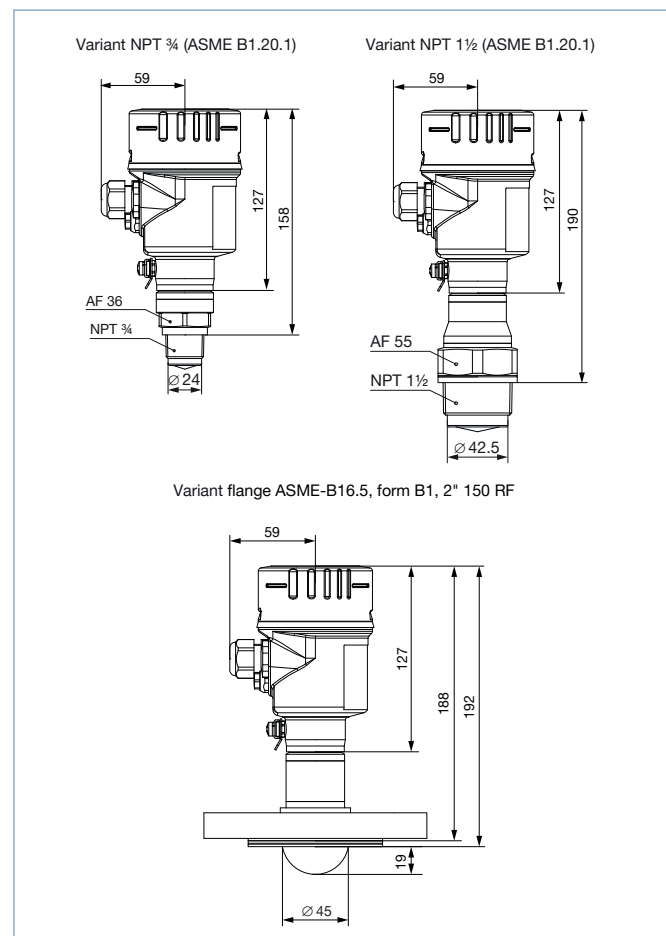
## Technical Data

|                                 |  |
|---------------------------------|--|
| <b>Housing/Cover</b>            | Stainless steel 316L                                     |
| <b>Seal</b>                     | EPDM   |
| <b>Transducer</b>               | PVDF   |
| <b>Display</b>                  | LCD in full dot matrix                                   |
| <b>Ambient temperature</b>      | -40 °F to 176 °F   |
| <b>Voltage supply</b>           | 2-wire, 12 to 35 V DC                                    |
| <b>Current consumption Max.</b> | 22 mA  |
| <b>Electrical connections</b>   | Cable glands M20 x 1.5                                   |
| <b>Outputs</b>                  | 4-20 mA/HART   |
| <b>Output Load Max.</b>         | See datasheet  |
| <b>Measuring frequency</b>      | W-Band (80 GHz technology)                               |
| <b>Beam angle</b>               | Depends on process connection. See datasheet.            |
| <b>Accuracy</b>                 | ± 1 mm   |
| <b>Process temperature</b>      | Depends on process connection. See datasheet.            |
| <b>Ingress protection</b>       | IP66, IP67 with cable plug mounted and tightened M20x1.5 |
| <b>Approvals</b>                | 3A, EHEDG, FDA, ECR 1935/2004, Ex, IECEx available       |



The device is equipped with a plastic horn antenna, an integrated horn antenna or with an encapsulated antenna system. The latter variant is available with flange or hygienic connection. The technical data depends on the radar level meter variant.

## Dimensions [mm] (see datasheet for details)



## Ordering Chart

| Description  | Operating voltage | Process connection             | Output                      | Electrical connection | Item no. |
|--|-------------------|--------------------------------|-----------------------------|-----------------------|----------|
| Plastic horn antenna                                 | 12...35 V DC      | Mounting bracket, 170 mm       | 4...20 mA/HART<br>(2 wires) | Cable gland M20 x 1.5 | 574925   |
| Thread with integrated antenna                       |                   | NPT 3/4, PN 40                 |                             |                       | 574927   |
|  |                   | NPT 1 1/2, PN 40               |                             |                       | 574929   |
| Flange with encapsulated antenna system              |                   | DN 50 EN1092-1/DIN2501, 40 bar |                             |                       | 574932   |
|  |                   | 2" ASME B16.5 150 RF           |                             |                       | 574933   |
| Hygienic connection with encapsulated antenna system |                   | Clamp 2"                       |                             |                       | 574934   |