

pH Transmitter

- Accepts all standard pH probes
- Removable programming puck
- Data upload/download via puck
- With temperature compensation
- Diagnostic function

Please see S022 fittings and 8203 pH electrodes



pH transmitter with programmable outputs. pH and temperature output via single or dual analog 4-20 mA. Two transistor outputs are also included. Transmitters are engineered for a wide scope of measuring ranges and can be delivered in 2-wire or 3-wire configurations. Intelligent, integrated, beautiful design fits perfectly with an assortment of easily configured fittings.

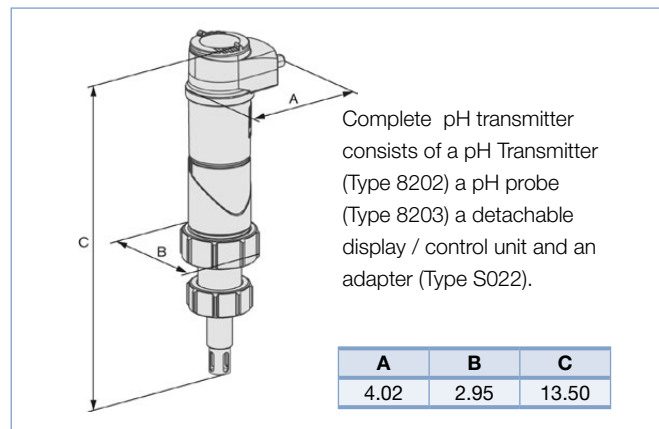
Technical Data

Measuring range	2 ... 14pH
Measuring error	± 0.02pH
Temperature compensation	Automatic via integrated temperature sensor
Temperature Performance (via integrated Pt1000)	Measuring range -40 °F to 266 °F Measuring error ± 1.8 °F
Available Fitting Materials	Stainless, PP, PVC
Housing material	Stainless steel, PPS, PC
Insertion finger	PVDF
Gasket seal	EPDM
Max. Fluid Temperature	-40 °F to 266 °F (depending on fitting)
Max. fluid pressure	232 PSI
Ambient temperature	14 °F to 140 °F
Storage temperature	14 °F to 140 °F (without probe)
Ingress protection	IP65, IP67, NEMA4X
Voltage supply	14...36 VDC for 2-wire models 12...36 VDC for 3-wire models
Protection	Reversed polarity of DC and peak protected
Current consumption Max.	1 A Max. (with transistor load)
Electrical connections	1 x 5pin M12 male (2-wire) 1 x 5pin M12 male + 1 x 5 pin M12 female (3-wire)
Outputs	4-20 mA configurable temperature or pH 2 Transistors, configurable, open collector, 700 mA Max., 0.5 A Max. per transistor if the 2 transistor output are wired
Output Load	< 1100 Ω at 36 V < 610 Ω at 24 V < 180 Ω at 14 V
Approval	UL-Recognized for US and Canada

Options

- Blind version (Neutrino)
- ORP: see datasheet 8202
- IO-Link
- (bùS)/CANopen

Envelope Dimensions [inch] (see datasheet for details)



Ordering Chart

Wiring	Outputs	Nut	M12	Item no.
Transmitter				
2-wire	2 x transistors + 1 x 4-20 mA	PVC	5-pin male	559634
		PVDF	5-pin male	559636
3-wire	2 x transistors + 2 x 4-20 mA	PVC	5-pin male + female	559635
		PVDF	5-pin male + female	559637

Note: Display/programmer (559168) not included. Must be ordered separately.

Probe Type 8203 (additional versions available)	Item no.
pH probe 32 °F to 266 °F, 0-232 PSI, pH 0-14 - UNITRODE PLUS pH 120 mm	560376
pH probe 32 °F to 176 °F, 0-87 PSI, pH 0-14 - FLATRODE pH 120 mm	561025

Accessories

Description	Item no.
Display/programming module	559168
Electrical connector, 5-pin M12 male, plug only	560946
Electrical connector, 5-pin M12 male, 2 m prewired	559177
Electrical connector, 5-pin M12 female, plug only	917116
Electrical connector, 5-pin M12 female, 2 m prewired	438680

Note: For a complete transmitter the following items must be ordered:

- Transmitter, Type 8202 ELEMENT
- pH or ORP probe, Type 8203
- Display/programmer module
- M12 cable socket, cable connector (only cable socket for a 4-20 mA current output, cable and cable connector for two 4-20 mA current outputs)