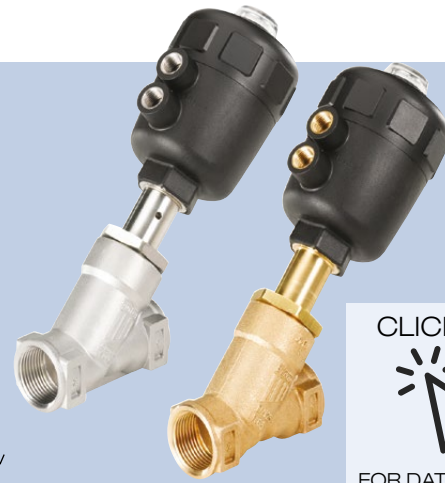
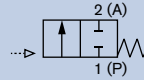


# On-Off Pneumatically Operated 2/2-way Angle Valve for Steam and Gases

2000

## NPT 1/2" - NPT 2 1/2"

- Flow direction above seat
- PPS actuator for hot environments
- Optical position indicator is standard
- Self adjusting double packing
- High flow rates
- Rotating actuator to orient air control connections



CLICK ME



FOR DATA SHEET

Burkert's classic angle seat valve for steam and gas applications. These valves are trusted worldwide because of their longevity. These valves with flow direction above the seat for steam and gas are equipped with maintenance-free gland packing.

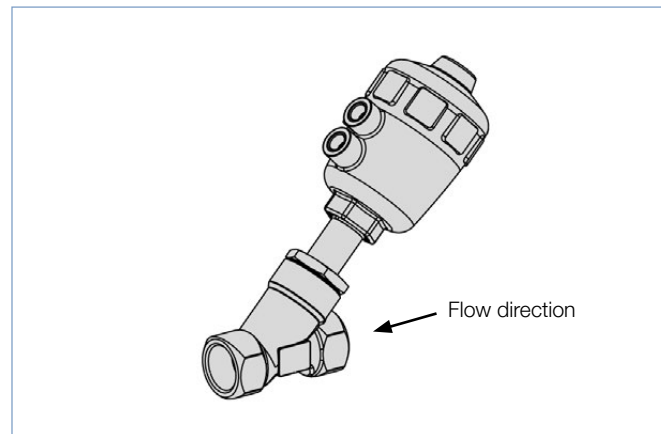
### Technical Data

<b>Pressure range</b>	See Ordering Chart	
<b>Temperature media</b>	14 °F to 356 °F (-10 °C to +180 °C)	
<b>Viscosity</b>	max. 600 mm <sup>2</sup> /s	
<b>Stuffing socket (with silicone grease)</b>	PTFE V-Rings with spring compensation	
<b>Ambient temperature max.</b>		
PA actuator	14 °F to 140 °F (-10 °C to +60 °C)	
PPS actuator Ø 40-80	284 °F (+140 °C)	
PPS actuator Ø 100-125	194 °F (+90 °C)	
<b>Body material</b>	Gunmetal or stainless steel 316L	
<b>Seal material</b>	PTFE	
<b>Actuator material</b>	Polyamide or PPS	
<b>Control medium</b>	Instrument air at 87 PSI	
<b>Flow direction</b>	Over seat to minimise actuator size	
<b>Safe position</b>	Normally closed	
<b>Max. pilot pressure</b>		
Actuator size Ø 40-80	PA and PPS	145 PSI
Actuator size Ø 100	PA	145 PSI
Actuator size Ø 100	PPS	101 PSI
Actuator size Ø 125	PA and PPS	101 PSI
<b>Pilot air port</b>	1/4" (Actuator Ø 40 = 1/8")	

### Options

- Normally open
- Double acting
- Solenoid pilot valves
- Vacuum version
- Feedback switches
- Cleaned for oxygen service
- Stroke limiter
- Seal material NBR, FKM, EPDM
- High Temp option (CF38) up to 446F (230C)

### Flow Direction



### Ordering Chart

Connection	Actuator [mm]	Cv	Item no. Bronze	Item no. Stainless Steel
<b>Normally closed polyamide head</b>				
1/2" NPT	50	4.9	468170	468197
3/4" NPT	40	8.1	468171	468198
3/4" NPT	50	9.8	468172	468199
1" NPT	50	11.6	468173	468200
1" NPT	63	20.8	468031	468201
1 1/4" NPT	63	28.9	468174	468202
1 1/2" NPT	63	40.5	468175	468203
2" NPT	80	60.8	468137	468140
2 1/2" NPT	80	90	468138	468141
<b>Normally closed, high ambient temperature PPS actuator</b>				
1/2" NPT	50	4.9	468180	468210
3/4" NPT	50	9.8	468181	468211
1" NPT	50	11.6	468182	468212
1" NPT	63	20.8	468183	468213
1 1/4" NPT	63	28.9	468184	468214
1 1/2" NPT	63	40.6	468185	468215
2" NPT	80	60.1	468145	353068
2 1/2" NPT	100	104.1	468569	468568