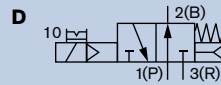
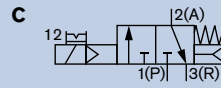


Servo-assisted 3/2 way Solenoid Valve for pneumatics

6518

- High flow-rate capacity
- Single or manifold mounting
- Circuit function NC and NO
- Push-over solenoid coil
- Reduced power consumption
- With manual override



Shown: Standard Coil



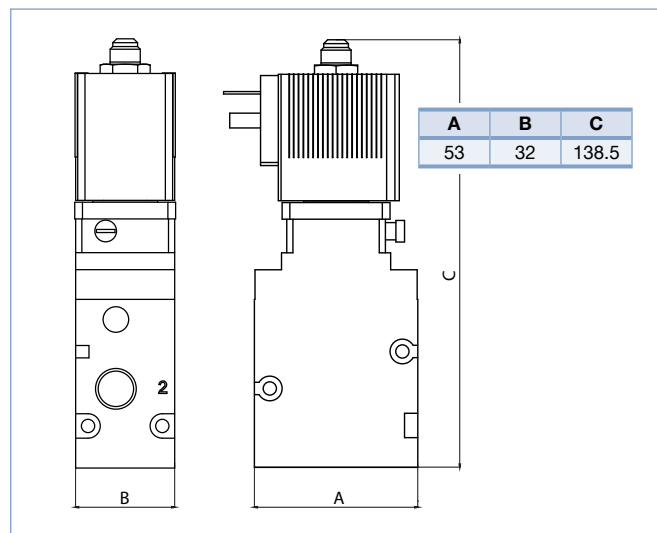
The Type 6518 is a servo-assisted 3/2-way valve. The use of high quality materials makes it possible to use these valves in the open air and under chemical atmospheres. The valve can be used individually or in blocks.

Technical Data

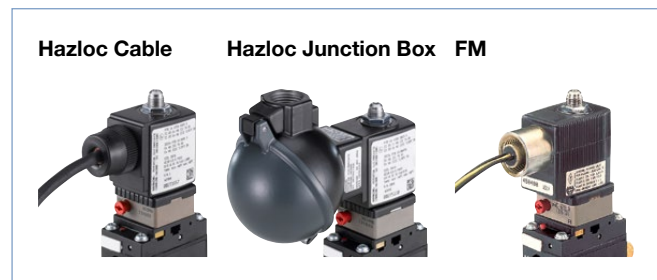
Orifice	DN8 mm
Body Materials	Pilot and main valve Polyamide , reinforced glass-fibre
Thread socket material	Brass (stainless steel on request)
Seal material	NBR and PUR
Pneumatic connection	Supply ports 1, 3, 5 Thread 1/4" NPT Service ports 2 & 4 Thread 1/4" NPT
Electrical connection	Tag connector acc. to DIN EN 175301-803 Form A for cable plug Type 2518 (not included)
Power consumption	AC 11 VA (inrush), 6 VA (hold), DC 2 W
Protection	IP65 with cable plug
Operating voltage	24 V DC 24/ 110/ 230 V/ 50-60 Hz
Voltage tolerance	±10%
Duty cycle	100 % continuous operation
Ambient temperature	-13 °F to 131 °F (-25 °C to +55 °C)
Mediums	Neutral Medium, e.g. lubricated or non-lubricated compressed air
Response times ¹⁾	Opening 20 ms Closing 40 ms

¹⁾ Measured at valve outlet at 87 PSI (6 bar) and 68 °F (+20 °C) acc. to ISO 12238.
Opening: pressure rise 0 to 90%. Closing: pressure drop 100 to 10%

Dimensions [mm] (see datasheet for details)



6518 and 6519 Coils



Ordering Chart for 6518 NPT

Type	Connections mechanical / electrical	Approvals	Item no.		
			24/DC	120/60	EX-i
Standard	NPT1/4" Nickel-plated ports / 2518 plug	UR (cURus)	296518	296519	
Standard	NPT1/4" Nickel-plated ports / 2509 plug	UL (cULus)	296530	296527	
Hazloc	NPT 1/4" Nickel-plated ports / 3 meter molded cable version	(UL Class I Div 2 + Atex)	20021441	20021442	
Hazloc	NPT 1/4" Nickel-plated ports / junction box version	(UL Class I Div 2 +Atex)	372091	20021443	
FM	NPT 1/4" Nickel-plated ports / 1/2" NPT Metal Conduit with 19 inch leads	(cFMus Class 1 Div 1 T6 + T4)	20012740	20012739	
Intrinsically Safe	NPT 1/4" Nickel-plated ports / 2518 plug/ requires barrier	EX-i			20011528