



The SC75 Concrete Buggy
 » [Watch Promo Video on YouTube](#)

Canycom International



[HOME](#)

[PRODUCTS](#)

[PARTS LISTS](#)

[NEWS](#)

[GALLERY](#)



[ABOUT US](#)

[CONTACT](#)

CG431 Flail Mower



The CG431 is a heavy duty rubber track brush cutter designed to trim tough, overgrown brush on slopes, uneven, unstable ground, and areas with hard to reach ledges such as riverbeds. Smooth hydrostatic transmission for precise maneuverability.

CG431 Features:

- An automatically leveling control deck and operator platform reduces fatigue and increases operator safety when operating on slopes.
- A side shifting cutter head slides up to 20 inches to reach previously inaccessible brush.

PRODUCT INFO

S SERIES

- ◆ S300PD
- ◆ S25A
- ◆ S160
- ◆ S100A
- ◆ S100

SC SERIES

- ◆ SC75
- ◆ SC45

BP SERIES

- ◆ BFP602
- ◆ BP419
- ◆ SC45

EJ SERIES

- ◆ EJ20



Durable flails separate on shackles to reduce



impact damage on blades and resist brush tangling. Reduced labor & maintenance costs to replace worn flails
Easy to clean



Heavy duty rubber tracks for balanced weight distribution. The heavy duty rubber tracks feature unique tread patterns for exceptional ability on steep slopes

and sea-saw rollers to maintain a comfortable, even ride.



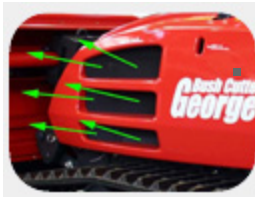
Optional Trac-Ax cutting head with bi-directional blade type cutting system.



Simple quick coupler system for changing attachments.



Exhaust fan periodically switches direction to expel



accumulated brush keeping the engine from overheating.



Operator platform can be folded up and locked

in place for walk-behind operation.

CG SERIES

- ◆ CG510
- ◆ CG431
- ◆ CG101

CMX SERIES

- ◆ CMX1402
- ◆ CMX2402

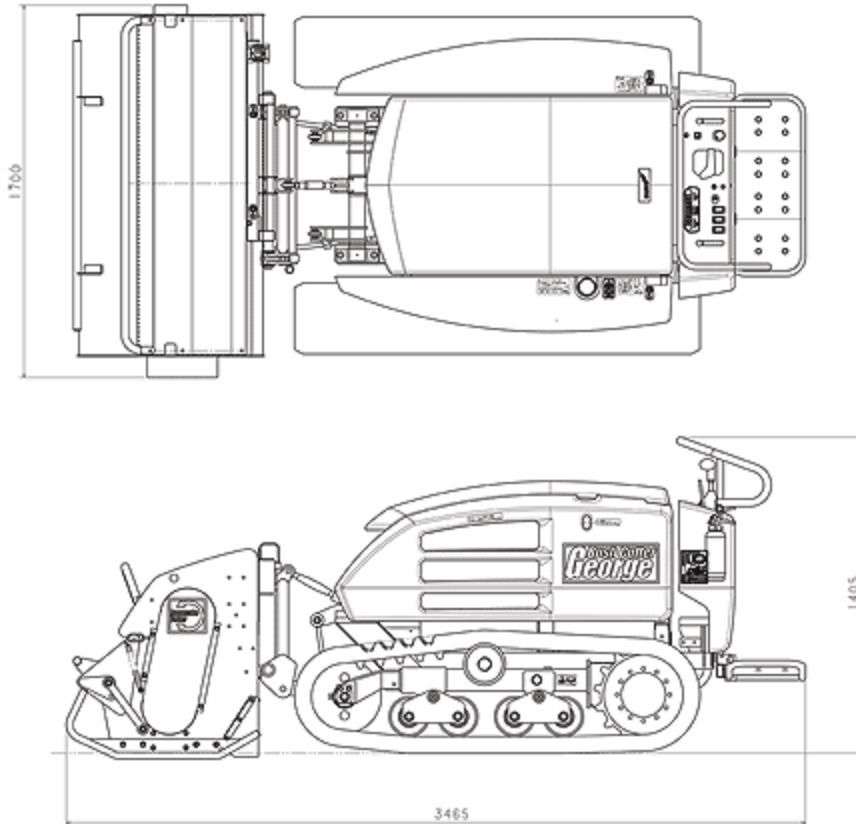
Recent Posts

Now Available! Propane Powered Concrete Buggy with 180° Pivoting Deck

CG431 SPECIFICATIONS

Length x Width x Height (in.)	136 x 67 x 55
Speed (mph)	High range: 0-6 Low range: 0-3.7
Weight (lbs.)	4,409
Engine	Water Cooled 4 Cycle 4 Cylinder Diesel
Rated Output (HP)	44
Cutting Dimensions	60.8 x 0-13
Width x Height (in.)	
Gradeability (degree)	30

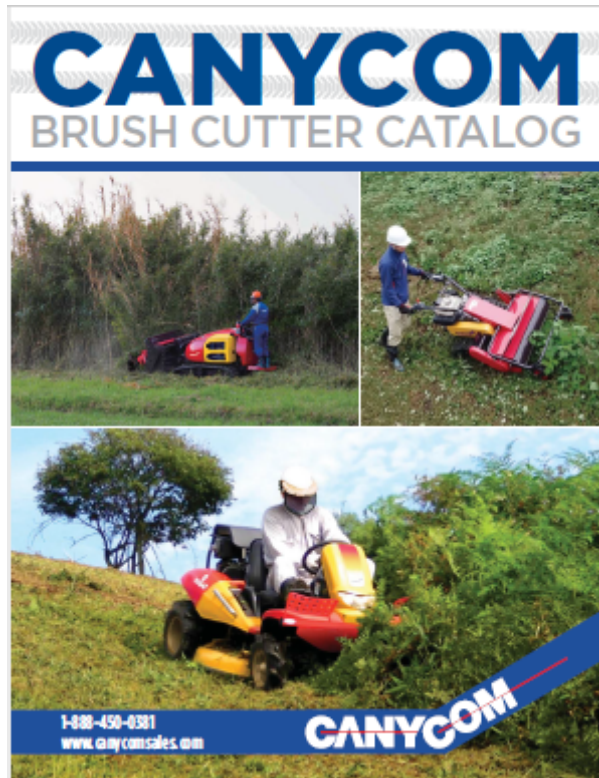
Dimensions



Parts List

To see the Parts List of this product, click [here](#).

[Download Printable Catalog](#)



(4-Page PDF Size: 1.9MB)

* To view this file, you need Adobe Acrobat Reader. For free download, click [here](#).

©2015 Canycom USA, Inc.

PO Box 58190 Tukwila, WA 98138 | P:888-450-0381 / 425-450-0381 | F:360-800-6757

A SiteOrigin Theme