

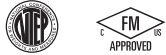
MVS Mount/MVS

Conversion Kit



Picture is a representation of actual product.

Load Cell Approvals



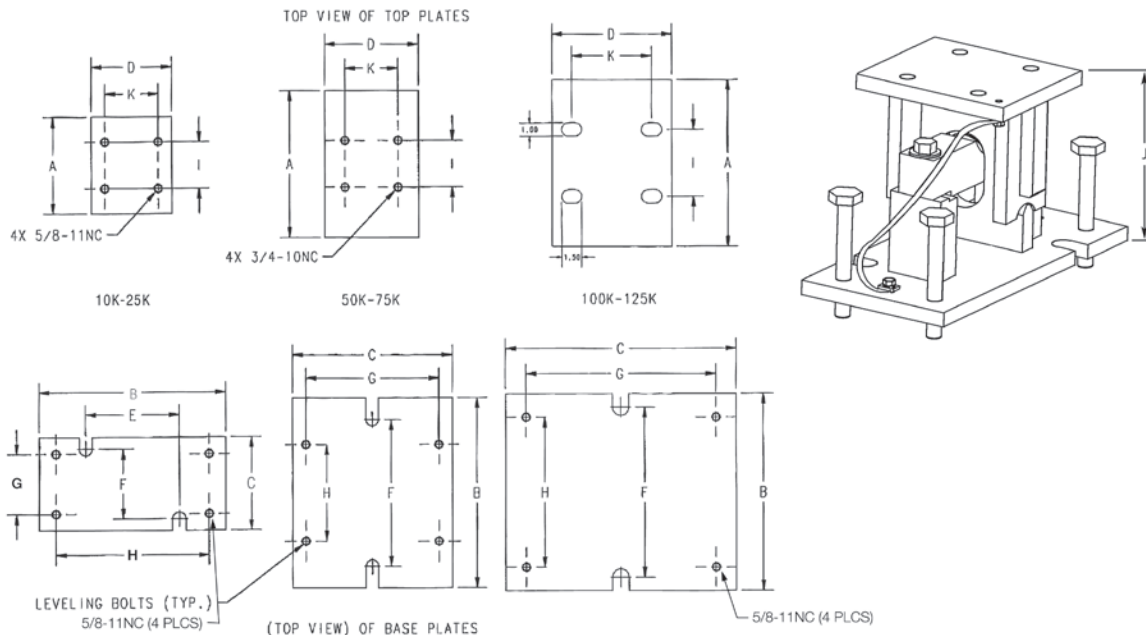
Order Information

Load Rating (Per Module)	Part #	Price
MVS Mount (Does NOT Include Load Cell)		
10,000 lb to 25,000 lb	71200	\$725.00
50,000 lb to 75,000 lb	46441	\$865.00
100,000 lb to 125,000 lb	68520	\$1,475.00
MVS Conversion Kits (Includes 75,000 lb* Load Cells, Mounts and Junction Box)		
4-module kit	68495	\$7,505.00
6-module kit	68496	\$11,050.00
8-module kit	68497	\$15,020.00
10-module kit	68498	\$19,465.00
Dummy Load Cell		
50,000 lb to 75,000 lb	169388	\$175.00
100,000 lb to 125,000 lb	159696	\$212.00

Custom heights available; Consult
* Consult for other capacity requirements

Dimensions

Rated Capacity	A	B	C	D	E	F	G	H	I	J	K
lb/in											
10,000 to 25,000	7.25	14.00	7.00	6.00	7.00	5.25	4.50	11.50	3.50	8.50	4.00
50,000 to 75,000	11.00	14.25	12.00	7.00	—	11.00	10.00	7.25	3.50	11.53	4.00
100,000 to 125,000	12.50	14.75	17.25	9.00	—	12.75	14.25	11.25	5.00	14.21	6.00



Complete Kit Includes

- Four to ten MVS mild steel mounts with RL75058-LP 75,000 lb NTEP Certified alloy steel environmentally sealed double-ended beam load cells.
- One JB8SPT NEMA 4 Type signal trim junction box (JB1010 on 10 module kit)
- 100 ft of our hostile environment EL147HE SURVIVOR® load cell cable

Standard Features

- Capacity (per module): 10,000 to 125,000 lb
- Mild steel construction
- Specially hardened center link
- Self-checking design
- Self-centering design
- Accommodates thermal expansion and contraction
- Compatible with VPG® Sensortronics 65058 or VPG® Celtron CLB

Applications

- Truck scale conversion
- Heavy-capacity horizontal tanks

WEIGH MODULES