

MSI Dyna-Clamp

Tension Meter

CRANE SCALES



Approvals



Part Number/Price

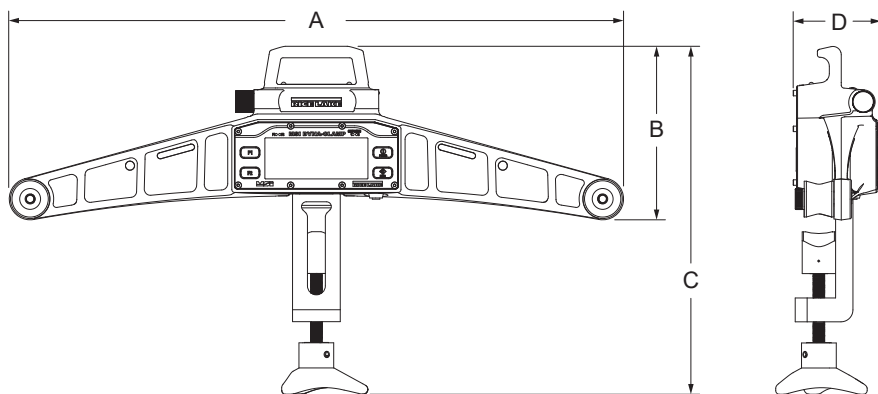
Part #	Description	Tension	Est. Weight	Price
189581	MSI Dyna-Clamp tension meter	12,500 lbf (5,670 kgf / 55.60 kN)	15 lb	\$4,860.00

Options/Accessories

Part #	Description	Price
198418	Heavy-duty carrying case	\$640.00

Dimensions

MSI Dyna-Clamp			
A	25.70 in (652.80 mm)	C	13.75 in-15.50 in (349.25 mm-393.70 mm)
B	7.30 in (185.50 mm)	D	3.70 in (94 mm)



Standard Features

- Dual line LCD display
- Two user-programmable function keys
- IP65 anodized aluminum frame
- RS-232 port
- Up to 8 factory calibrations included at no additional cost

Options

(Contact MSI for application consultation)

- Heavy-duty carrying case

Specifications

Power:

Battery operated two AA cells 1.5 V alkaline batteries (can be replaced with rechargeable NiMH cells)

Max Tension:

12,500 lbf (5,670 kgf/55.60 kN)

Operating Time:

Alkaline AA-cells: 24 hours

Wire Rope:

Diameter 3/16 in (5 mm) to 1 in (25 mm)

Accuracy:

±3% of capacity

Units:

lbf, kgf, kN

Resolution:

Standard: 2,500 divisions

Display:

Primary display (bottom) six, 0.7 in (18 mm) numeric digits
Secondary display (top) eight, 0.5 in (13 mm) numeric digits

Function Keys:

Two programmable keys (user-defined) – F1, F2 (test, unit, print, scroll, actfun)
Two permanent keys – power, zero

Setpoints:

Two dedicated setpoints for minimum and maximum allowable wire rope tension (LEDs for measurements outside of allowable range)

Auto-Off Mode:

Prolongs battery life by turning power OFF after 15, 30, 45 or 60 minutes of no activity (user determined)

Enclosure:

IP65 powder-coated aluminum frame

Calibration:

Up to eight factory programmed wire rope calibrations

Operating Temperature:

-4 °F to 122 °F (-20 °C to 50 °C)

Operator Use:

Outdoor

Storage:

Indoor

Warranty:

Two-year limited

Approvals:

CE Marked
UKCA