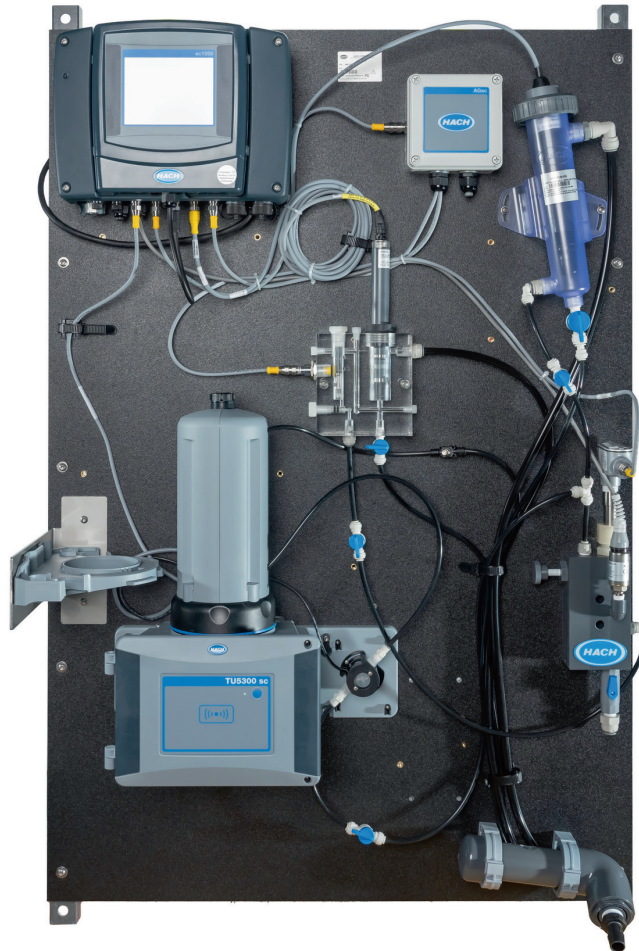




Water Distribution System Monitoring Panel (WDMP) and Controller



Expertise + Simplicity

Offering application specific configurations, enjoy the convenience of receiving the total offering on one panel. Resulting in pre-engineered, ready to install, simple solutions that are designed to work together.

Quality from start to finish

Our panel configurations allow you to maximize the inherent quality of the instruments, providing peace of mind while leveraging Hach's 100 years of water quality innovations.

Up and running in no time

Our preassembled, ready-to-use solutions streamline the process between purchasing and startup.

Ease of installation

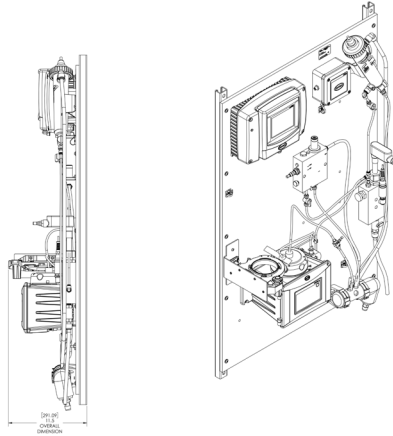
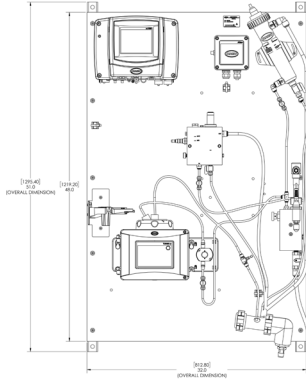
When you buy a water quality monitoring station from Hach, you'll receive an expertly designed, preassembled panel that makes installation straightforward and user friendly.

Technical Data*

Range	pH: 0 - 14 Conductivity: 0 - 2000 μ S/cm Turbidity: 0.01 - 40 NTU Chlorine: (two methods available) CL17sc: 0 - 5 mg/L CLF10sc or CLT10sc: 0 - 20 mg/L Pressure 0 - 150 psi (0 - 10.3 bar) Temperature: -20 °C - 200 °C
Controller	SC1000 Digital Controller Sensor Types, Digital Output, Sensor to Controller Distance 1000 m, per RS485
Mounting	Wall or Rack
Process Connection	Sample Inlet: ½" OD tubing or ¾" NPT Sample Drain: ¾" NPT or hose barb Sampler Connection: ¼" NPT connection on inlet manifold
Weight	39.5 kg (87 lbs)
Dimensions	32" x 51.5" (W x H)
Sample Temperature	5 - 40 °C
Sample Pressure	Max. 80 psi (5.5 bar)
Power	115/230 VAC, 60 Hz 30 VA max. power consumption for other electronics
Display	SC1000 Controller Display Module
Communication	Modbus RS485
Solution Type	Drinking Water, raw and treated

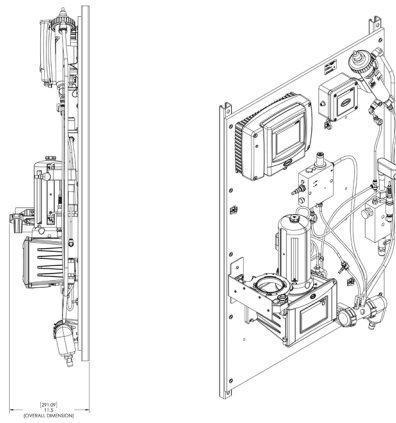
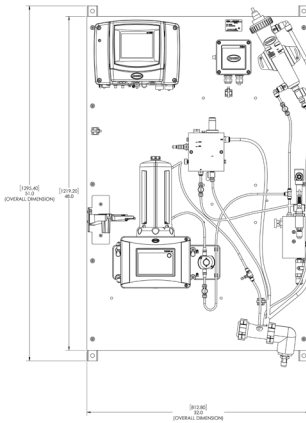
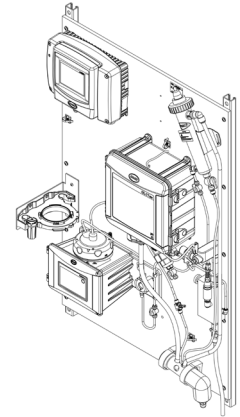
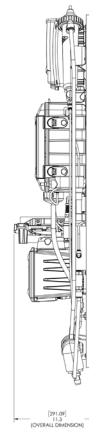
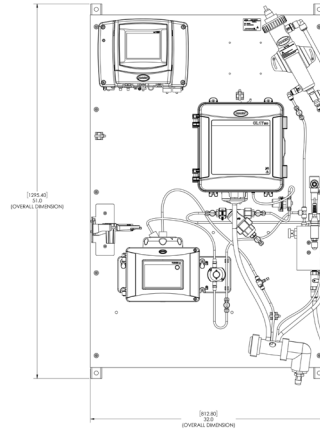
**Subject to change without notice.*

Dimensions



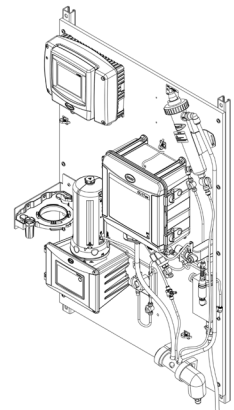
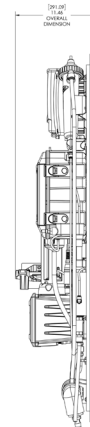
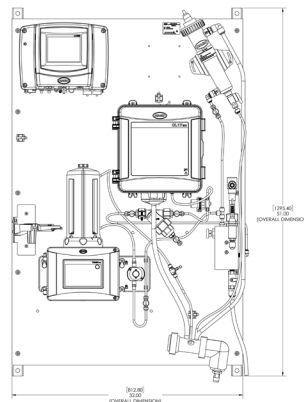
WDMP, 6 Sensors, TU5300sc without ACM, CLF10sc

WDMP, 6 Sensors, TU5300sc without ACM, CL17sc



WDMP, 6 Sensors, TU5300sc with ACM, CL17sc

WDMP, 6 Sensors, TU5300sc with ACM, CLT10sc



Order Information

Panels

8866800	Water Distribution Monitoring Panel, 6 Sensors, TU5300sc without ACM, CL17sc
8867000	Water Distribution Monitoring Panel, 6 Sensors, TU5300sc with ACM, CLT10sc
8867200	Water Distribution Monitoring Panel, 6 Sensors, TU5300sc with ACM, CL17sc
8867300	Water Distribution Monitoring Panel, 6 Sensors, TU5300sc with ACM, CLF10sc
8867400	Water Distribution Monitoring Panel, 6 Sensors, TU5300sc without ACM, CLF10sc
8867600	Water Distribution Monitoring Panel, 6 Sensors, TU5300sc without ACM, CLT10sc

The WDMP SC Water Distribution Monitoring Panel comes fully assembled on a corrosive-resistant HDPE panel with fiberglass mounting rails for easy installation onto a wall or rack. Simply connect the sample line (½" OD tube, factory supplied) to the inlet port and run a waste line (¾" ID reinforced PVC hose) from the outlet port to a drain. The total sample flow requirement is 400-600 mL/min. A 115 V, 60 Hz power source is required. Total power consumption is 500 VA maximum.

Panel Components

LXV400.99.5U582	SC1000 Probe Module, 6 Sensor Connectors, 4-20 mA OUT/IN, Prognosys, Relay, US power cord
LXV402.99.10002	SC1000 Multi-Parameter Universal Controller Display Module with Modbus TCP/IP
DPD1R1-WDMP	Digital pH Sensor, PPS, Water Distribution Monitoring Panel Mounting
D3422C3-SCX	Digital Contacting Conductivity Sensor, Compression Fitting Style, Cell Constant 1.0, 1 m Cable
LQV159.97.00002	Automatic Cleaning Module for TU5300sc and TU5400sc
LQV160.99.00002	Flow Sensor for TU5300sc and TU5400sc Laser Turbidimeter
8572400	CL17sc Colorimetric Chlorine Analyzer with Pressure Regulator Installation Kit, w/o Reagents
8626200	Replacement Sensor for CLF10 sc, SS Tip
8628900	Replacement Sensor for CLT10 sc, SS Tip



World Headquarters: Loveland, Colorado USA | hach.com

United States 800-227-4224 fax: 970-669-2932 email: orders@hach.com
Outside United States 970-669-3050 fax: 970-461-3939 email: int@hach.com

©Hach Company, 2023. All rights reserved.

In the interest of improving and updating its equipment, Hach Company reserves the right to alter specifications to equipment at any time.

DOC053.53.35342.Aug23