

Multi-channel, multi-functional transmitter/controller

8619

1/4" DIN Panel Mount

- Flexible analytical and flow transmitter
- Compatible with most flow, pH/ORP, chlorine and conductivity sensors
- Intuitive programming
- SD card for data logging and upload/download



CLICK ME



FOR DATA SHEET

Burkert's 8619 transmitter/controller is the latest addition to the process control program. The 1/4DIN panel mounted transmitter/controller incorporates a large backlit LCD display for adding up to 6 boards in a free mix for pH, conductivity incl. temperature, and output boards are connected to the digital inputs of the mainboard.

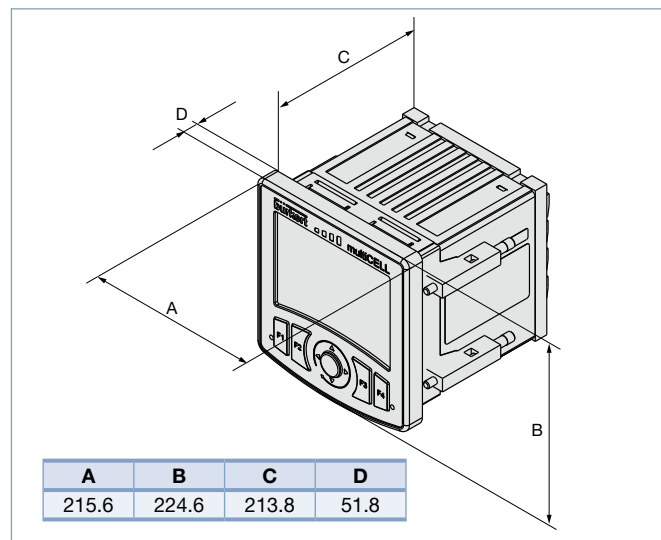
Optional software features can be simply activated when required by the application and an SD card is standard for data logging and up/down loading of parameterization files.

Special integrated dosing and control functions allow use in a large range of applications without the need of additional devices.

Technical Data

pH input	-2.00...+16.00 (-600...+6000 mV)
ORP redox input	-2000...+2000 mV
Conductivity input	0 µS/cm ... 2 S/cm
pH/ORP/cond temp input	Pt100 / Pt1000
Digital input	Voltage: 5-36 V DC, 2 to 2500 Hz
Analog output	4-20 mA 1100 Ω at 36 V DC 610 Ω at 24 V DC 100 Ω at 12 V DC
Digital output	PNP/NPN Max. 700 mA Max. 2000 Hz
Cover, vision panel / overlay	PC / Silicone rubber
Display	Light blue backlighted; 128 x 168 pixels
Languages	English, French, German
Mounting panel	92mm x 92mm DIN cutout
Ambient temperature range	14 to 140 °F Limited at 32 to 140 °F if memory card is used
Ingress protection	IP65, NEMA 4X
Storage temperature	-4 °F to 140 °F
Voltage supply	12...36 VDC
Protection	Reversed polarity of DC and peak protected
Current consumption	100 mA at 12 V DC 50 mA at 24 V DC
Data logging	SD Card
Data retention	EEPROM, Real time clock

Envelope Dimensions [inch] (see datasheet for details)



Options

- Wall mount
- VAC powered
- PID function
- Data logger
- EtherNet, Modbus or PROFINET communication

Ordering Chart

Description	Digital Inputs	Raw signals	RTD	Digital Outputs	Analog	Item no.
BASE unit	2	-	-	2	2	560213
pH/ORP transmitter	2	1 (pH/ORP)	1	2	2	560208
pH/ORP transmitter	2	2 (pH/ORP)	2	4	4	560210
CONDUCTIVITY transmitter	2	1 (Cond.)	1	2	2	560209
CONDUCTIVITY transmitter	2	2 (Cond.)	2	4	4	560211
pH/ORP and CONDUCTIVITY transmitter	2	1 (pH/ORP) + 1 (Cond.)	2	4	4	560212

Note for ordering the above multiCELL Transmitter / Controller:

In all the above variations are arithmetic, PASS, REJECT, DEVIAT, PROP, the On/Off function standard features. In the basic model, the flow measurement function is included. When a totalizer function is needed, then a flow meter via a digital input (main or input board) must be connected. Other optional features can be ordered later, see data sheet.