

INLINE Flowmeter for continuous flow measurement

8030 / SE30

For use with fitting S030, 1/2" to 2"

- Turn and lock bayonet fitting isolates sensor from media
- Economic integration in pipe systems
- 3-wire frequency version for direct connection to PLC (PNP and NPN)
- Connection to Burkert remote electronics

Please see fitting S030



CLICK ME



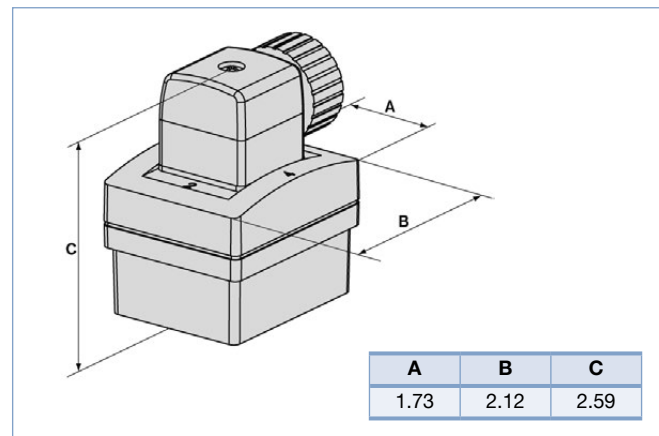
FOR DATA SHEET

Unique bayonet style flow meter constructed from an SE30 sensor and an S030 flow fitting. Perfect for neutral, solid free liquids. A hall-effect sensor produces a square wave frequency proportional to the flow rate.

Technical Data

SE30 Housing material	Polycarbonate
Ambient temperature	5 °F to 140 °F
Voltage supply / Current	12-36 VDC ≤ 30 mA
Max. cable length	164' shielded
Electrical connections	Cable plug
Outputs	Transistor PNP and NPN, Max. 100mA
Protection and Approvals	IP65, CE
Sensor size range	1/2" to 2" with bayonet fitting
Measuring ranges	1 to 33 fps
Measuring error (stand. k-factor)	≤ ±(0.5% o.FS + 2.5% o.R)
Linearity, Repeatability	≤ ± 0.5% o.FS (at 33fps), 0.4% o.R.
Fitting materials	Brass, Stainless* (NPT), PVC (ASTM Union)
Sensor materials	PVDF paddle wheel with ceramic bearings
O-rings	FKM
Max. fluid temperature	212 °F (Metallic), 122 °F (PVC)
Max. fluid pressure	232 PSI (metal), 145 PSI (PVC)

Envelope Dimensions [inch] (see datasheet for details)



Options

- High temperature version to 275 °F
- Hygienic clamp and ASME weld end connections
- ANSI flange connection
- PVDF and PP fittings.
- High flow fittings (8020) to DN350 mm
- Various sealing materials
- Individual calibration certificate

Ordering Chart

Description	Item no.
SE30 Hall Effect	423913
SE30 Low Power Hall Effect (only for use with Type 8022 xmtr or remote 8025 electronics)	423914

Note: The electronic module, SE30 and the fitting, S030 must be ordered separately